



US00D769039S

(12) **United States Design Patent** (10) **Patent No.:** **US D769,039 S**
Limyansky et al. (45) **Date of Patent:** **** Oct. 18, 2016**

(54) **BEACH TABLE**
(71) Applicants: **John M. Limyansky**, Little Egg Harbor, NJ (US); **Kthleen A. Limyansky**, Little Egg Harbor, NJ (US)
(72) Inventors: **John M. Limyansky**, Little Egg Harbor, NJ (US); **Kthleen A. Limyansky**, Little Egg Harbor, NJ (US)
(**) Term: **14 Years**

D325,068 S *	3/1992	Gaury	D1/100
D343,943 S *	2/1994	Mottur	D1/106
D364,048 S	11/1995	Winslow, Sr.	
D366,372 S	1/1996	Skarda, Jr.	
D372,612 S	8/1996	Credle, Sr.	
D383,358 S	9/1997	Al Hassen	
D387,921 S	12/1997	Shields	
D455,145 S *	4/2002	Williams	D11/158
D517,881 S *	3/2006	Kelleghan	D8/38
D586,530 S *	2/2009	Madsen	D1/111
D586,977 S *	2/2009	Madsen	D1/111
D640,026 S *	6/2011	Soegaard	D32/43
D646,688 S *	10/2011	Bradford	D14/480.2
D652,238 S *	1/2012	Sultan	D6/589

(21) Appl. No.: **29/513,204**

* cited by examiner

(22) Filed: **Dec. 29, 2014**

Primary Examiner — Mary Ann Calabrese

(51) **LOC (10) Cl.** **06-06**

(74) *Attorney, Agent, or Firm* — Richard Malagiere, Esq.

(52) **U.S. Cl.**
USPC **D6/707.11**

(58) **Field of Classification Search**
USPC D6/685, 688, 688.24, 702, 707, 707.1, D6/707.24; D1/111; D7/551.3; D11/134
CPC A47B 7/00; A47B 9/00; A47B 2009/006; A47B 13/00; A47B 13/003; A47B 13/08; A47B 13/088
See application file for complete search history.

(57) **CLAIM**
We claim the ornamental design for a beach table, as shown and described.

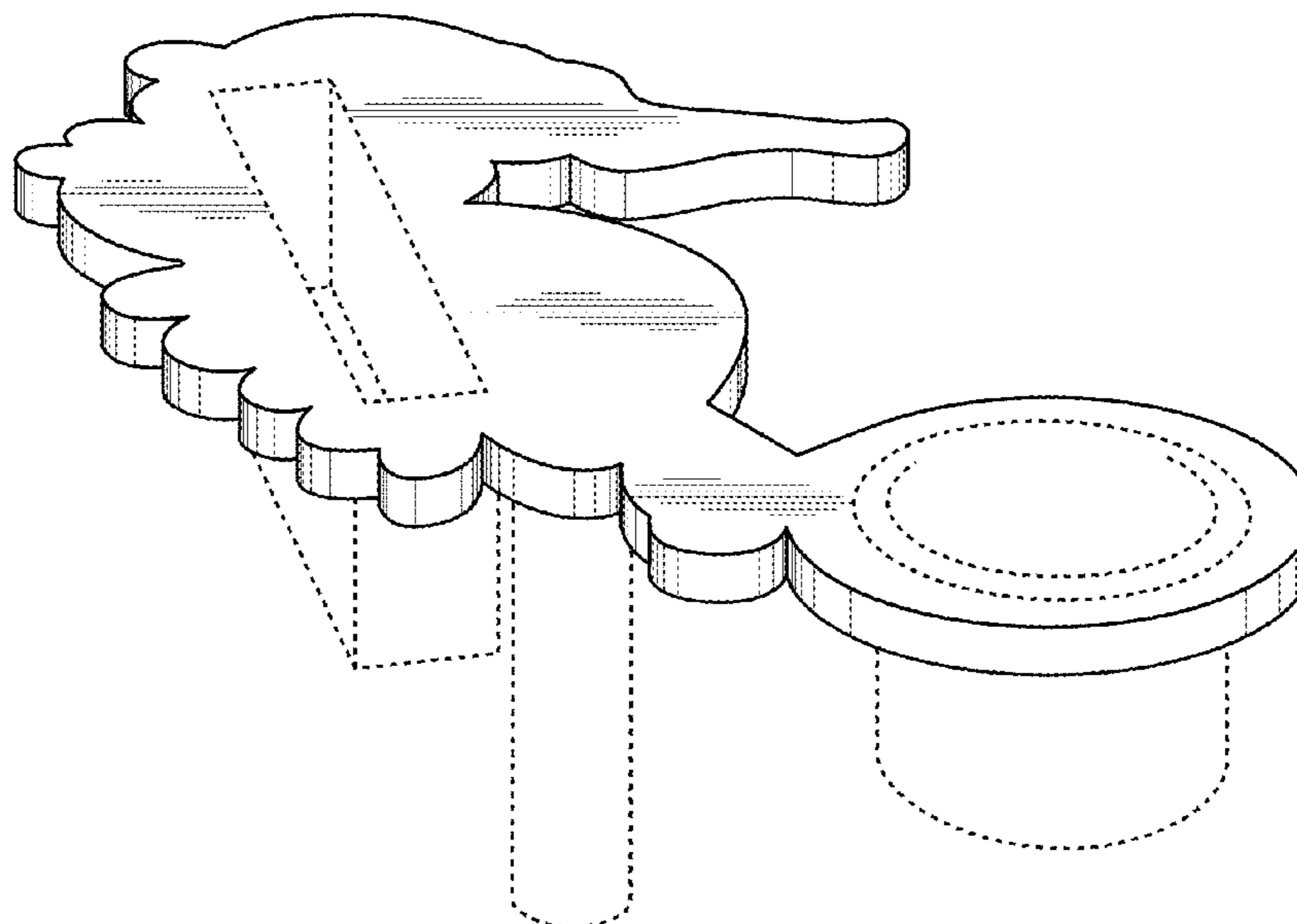
DESCRIPTION

FIG. 1 is a perspective view of the beach table of the present invention.
FIG. 2 is a front side view thereof.
FIG. 3 is a rear side view thereof.
FIG. 4 is a right side view thereof.
FIG. 5 is a left side view thereof.
FIG. 6 is a top plan view thereof; and,
FIG. 7 is a bottom plan view thereof.
In the drawings, the broken lines illustrate environment and form no part of the claimed design.

(56) **References Cited**
U.S. PATENT DOCUMENTS

D76,070 S	8/1928	Sutton	
D91,627 S	2/1934	Hunt	
D213,084 S *	1/1969	King	D1/111
D227,230 S	6/1973	Stamper	
D228,481 S *	10/1973	Sahlof	D11/134
D271,166 S	11/1983	Morabito	
D324,756 S *	3/1992	Meyers, Jr.	D1/106

1 Claim, 4 Drawing Sheets



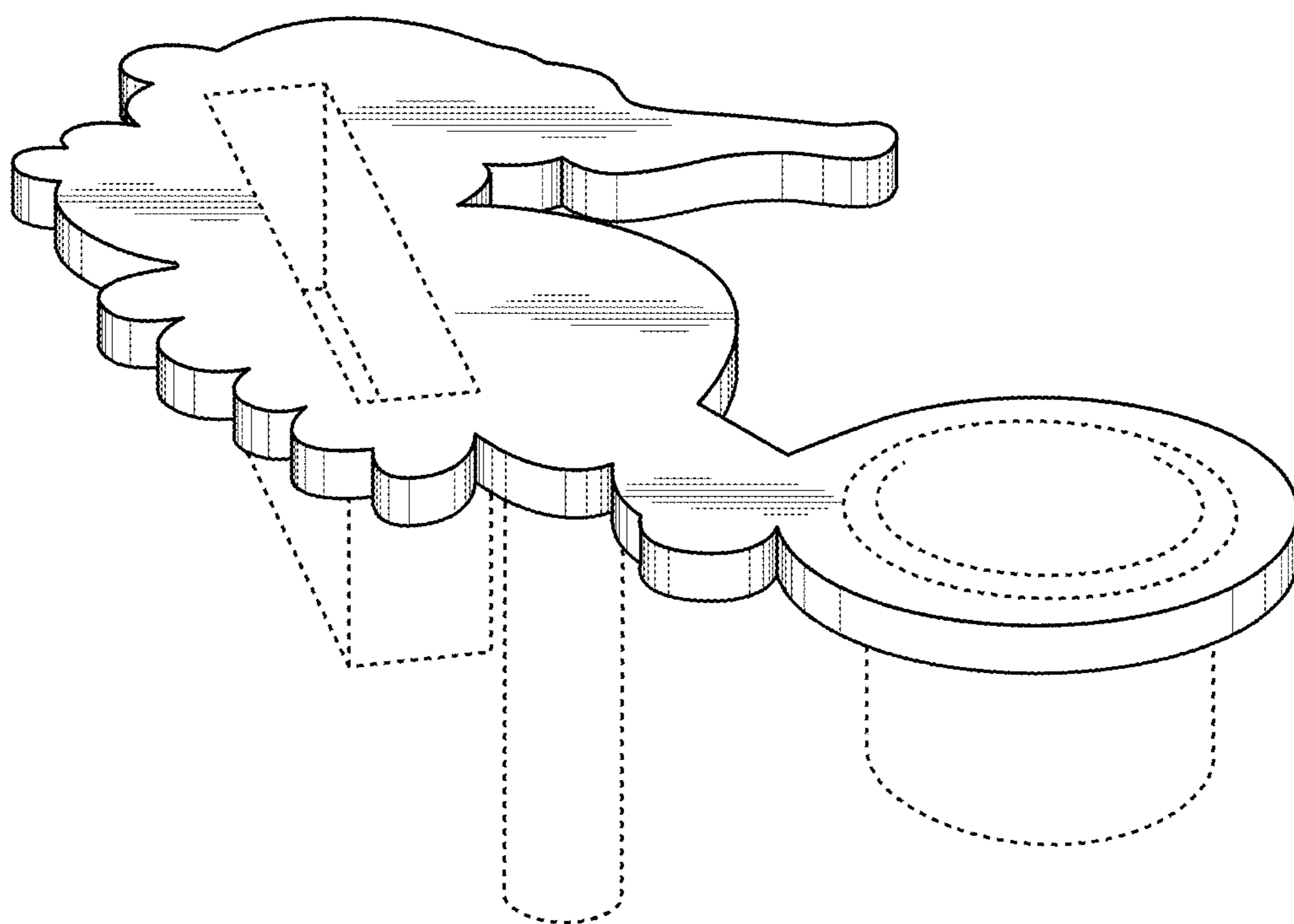


FIG. 1

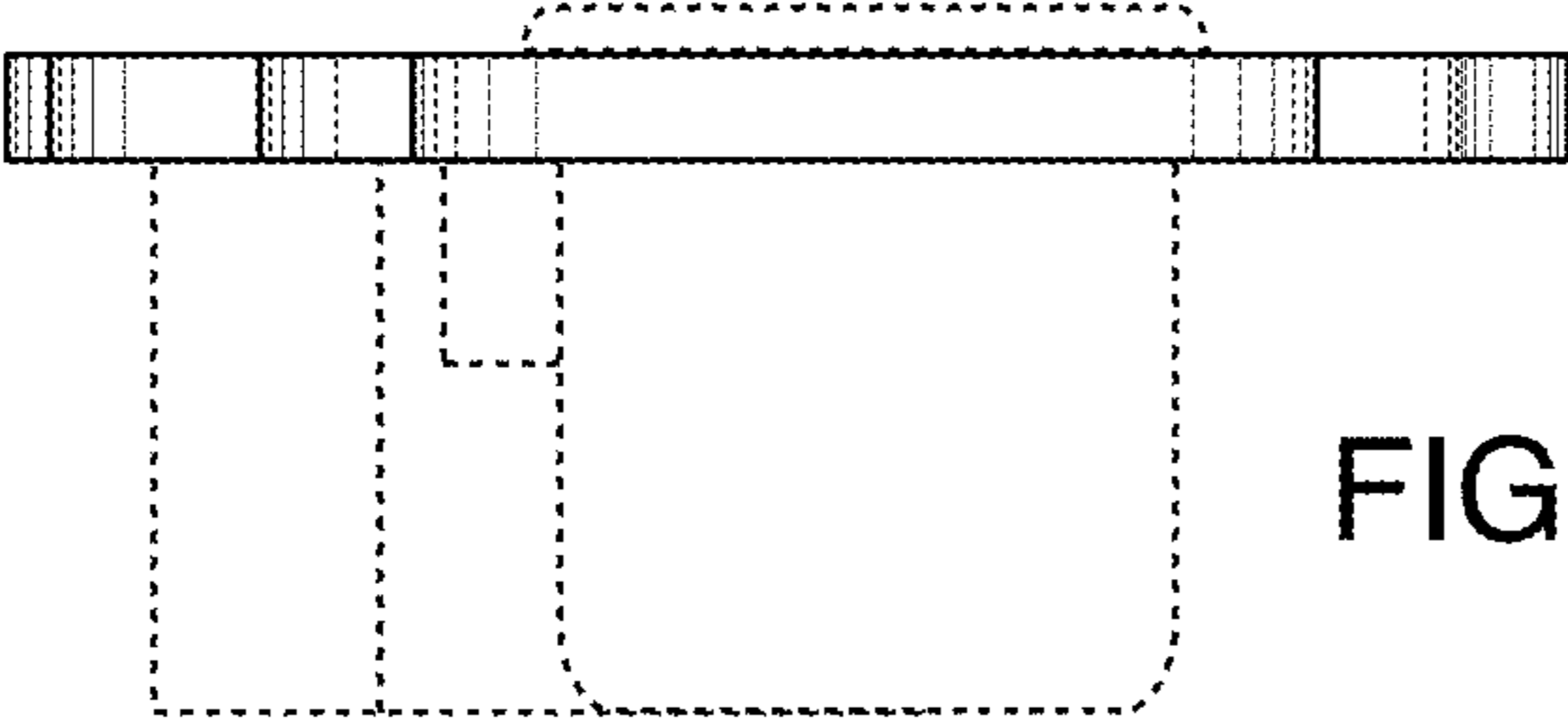


FIG. 2

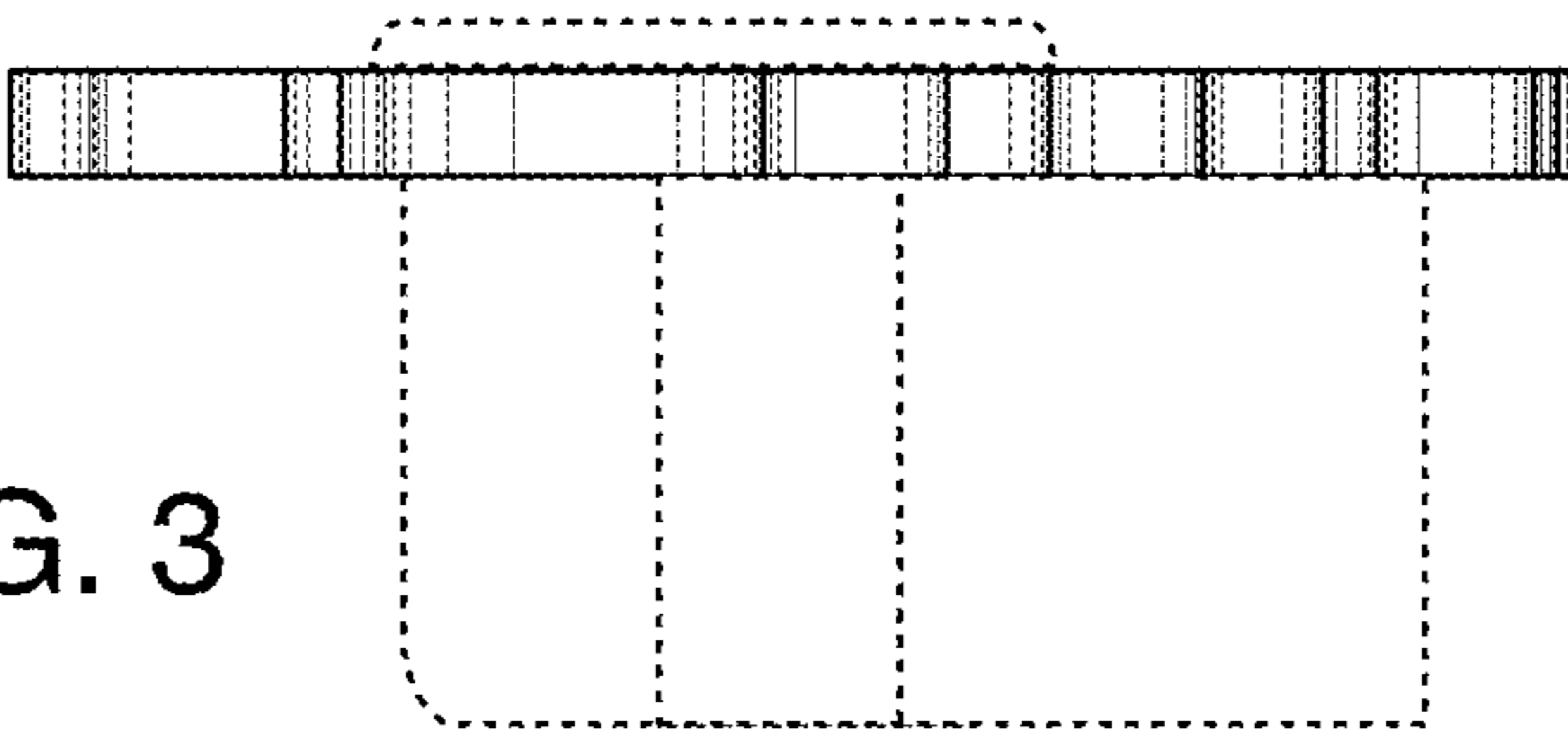


FIG. 3

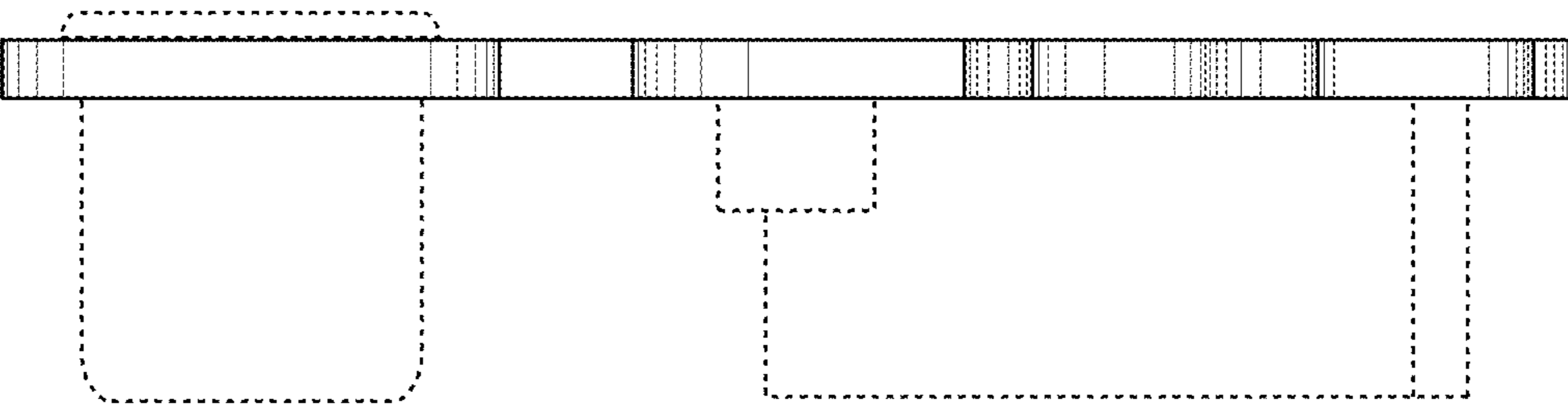


FIG. 4

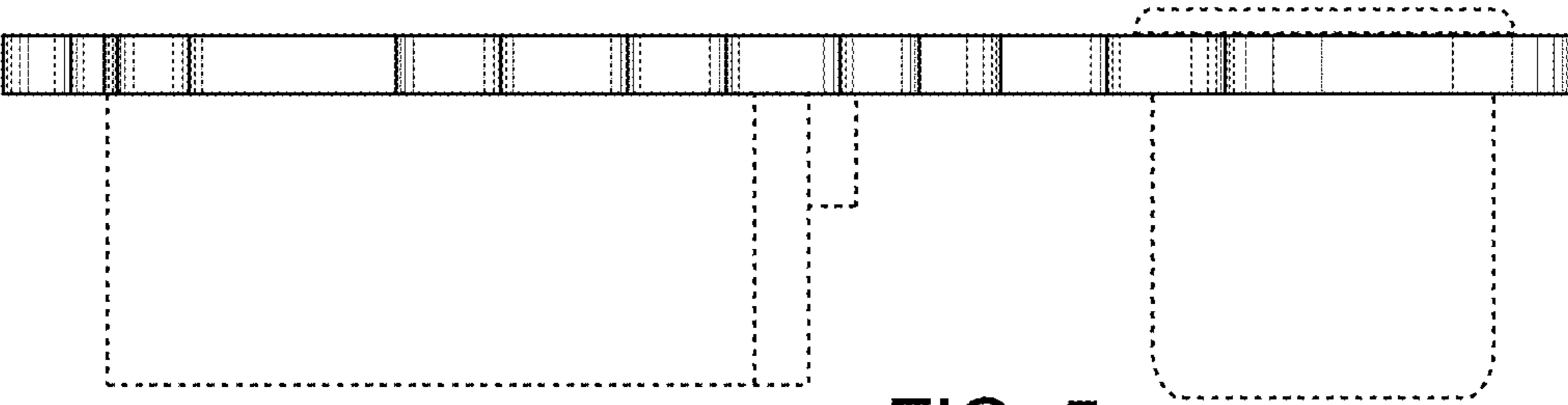


FIG. 5

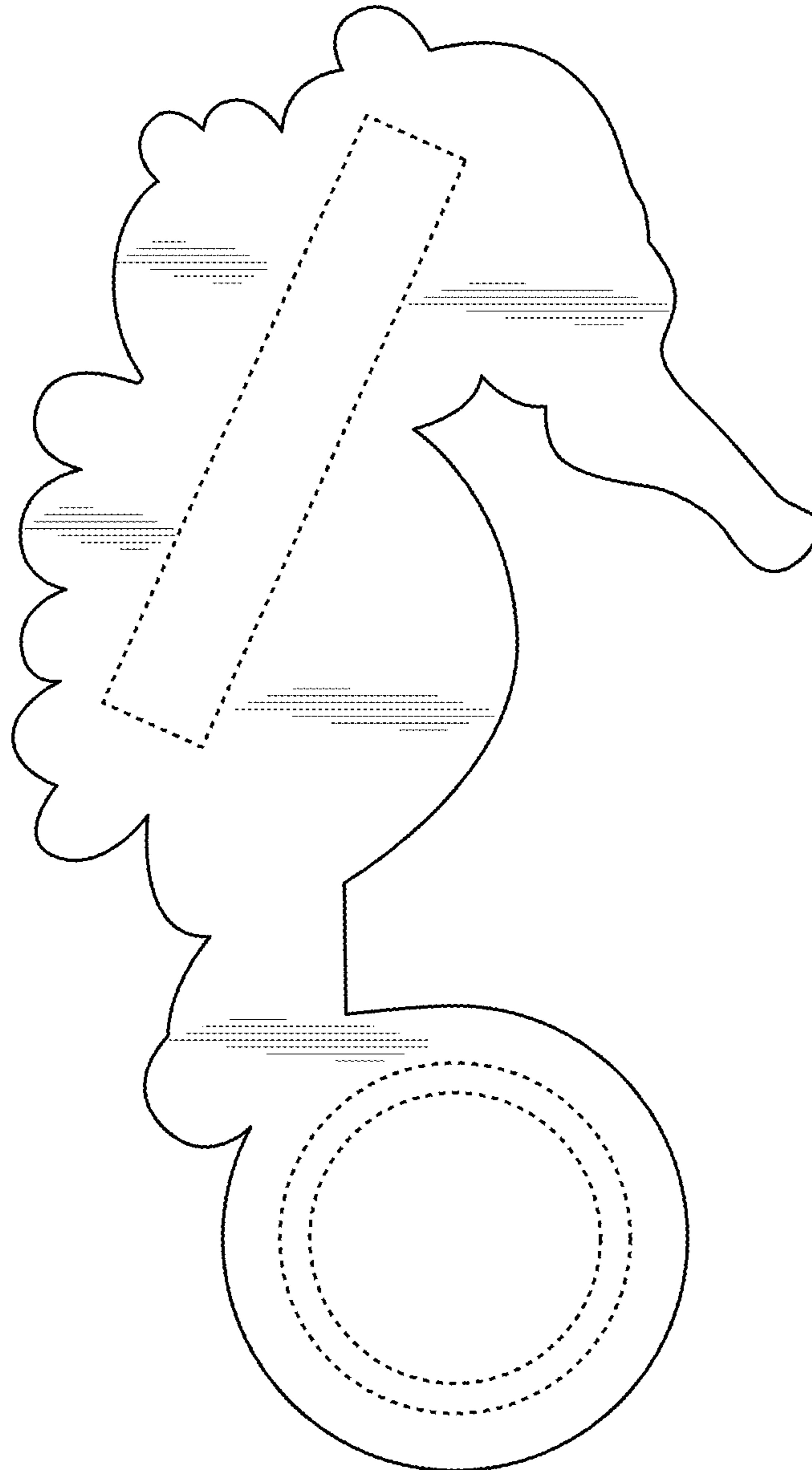


FIG. 6

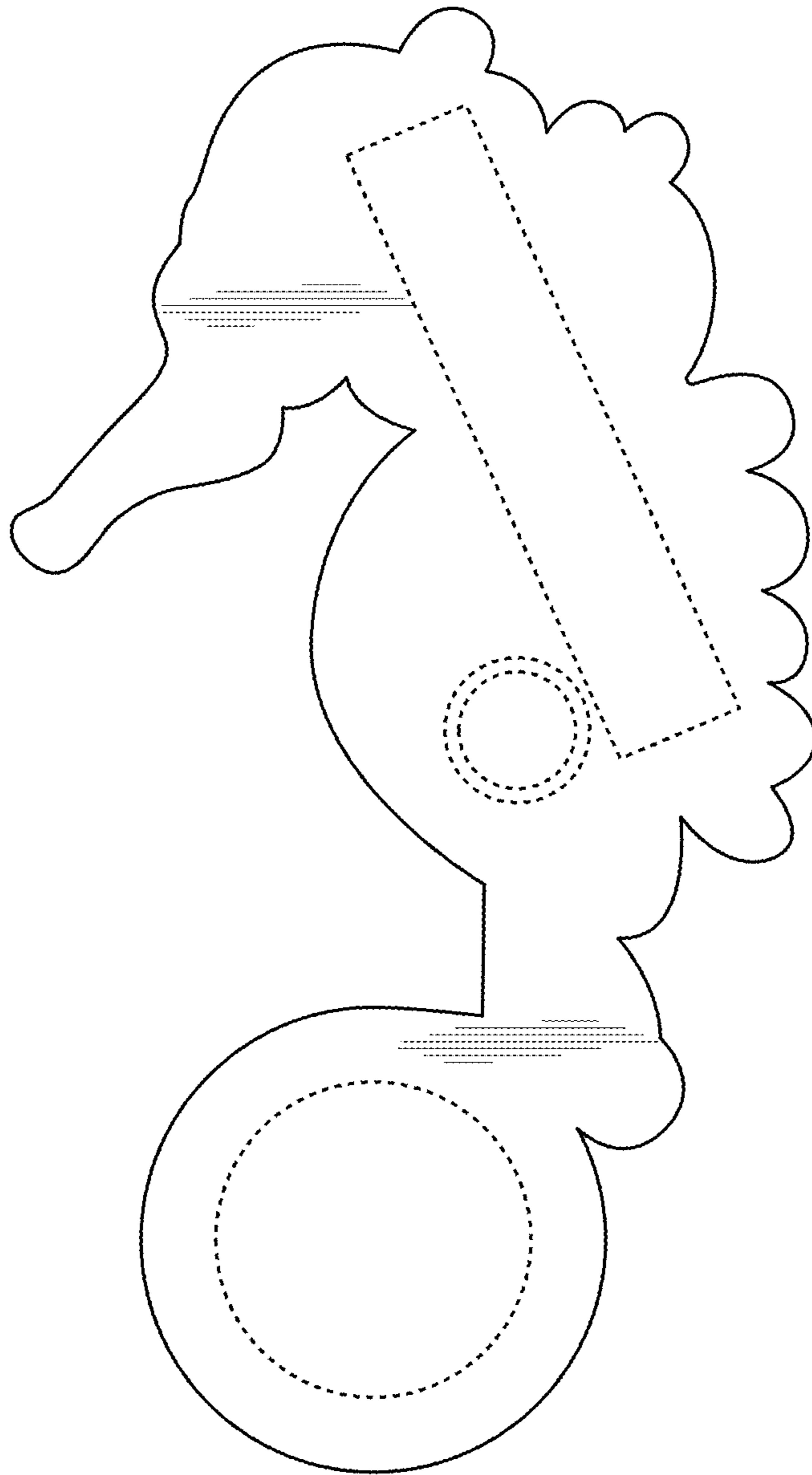


FIG. 7