



US00D769036S

(12) **United States Design Patent** (10) **Patent No.:** **US D769,036 S**
Manea (45) **Date of Patent:** **** Oct. 18, 2016**

(54) **TABLE**
(71) Applicant: **Mircea Manea**, South San Francisco, CA (US)
(72) Inventor: **Mircea Manea**, South San Francisco, CA (US)
(**) Term: **14 Years**
(21) Appl. No.: **29/516,268**
(22) Filed: **Jan. 30, 2015**
(51) **LOC (10) Cl.** **06-03**
(52) **U.S. Cl.**
USPC **D6/692.3**
(58) **Field of Classification Search**
USPC D6/685, 692, 692.3, 708.17, 698, D6/699.1; 108/150, 159; 248/97, 99
CPC A47B 3/12; A47B 13/023; A47B 13/06; B65B 67/12
See application file for complete search history.

5,353,716 A * 10/1994 Wilbert A47B 7/02 108/150
D389,947 S * 1/1998 Hutton D26/110
D560,026 S * 1/2008 Shulem D26/142
D589,178 S * 3/2009 Conway D26/20
D613,096 S * 4/2010 Stoepker D6/692.3
D642,828 S * 8/2011 Unterrainer D6/692.3
D673,722 S * 1/2013 Cartwright D26/138
D673,723 S * 1/2013 Cartwright D26/142
D673,726 S * 1/2013 Cartwright D26/142
D673,727 S * 1/2013 Cartwright D26/142
D745,297 S * 12/2015 Ye D6/692.3

* cited by examiner

Primary Examiner — John Windmuller
Assistant Examiner — Steven Czyz
(74) *Attorney, Agent, or Firm* — Dunlap Bennett & Ludwig PLLC

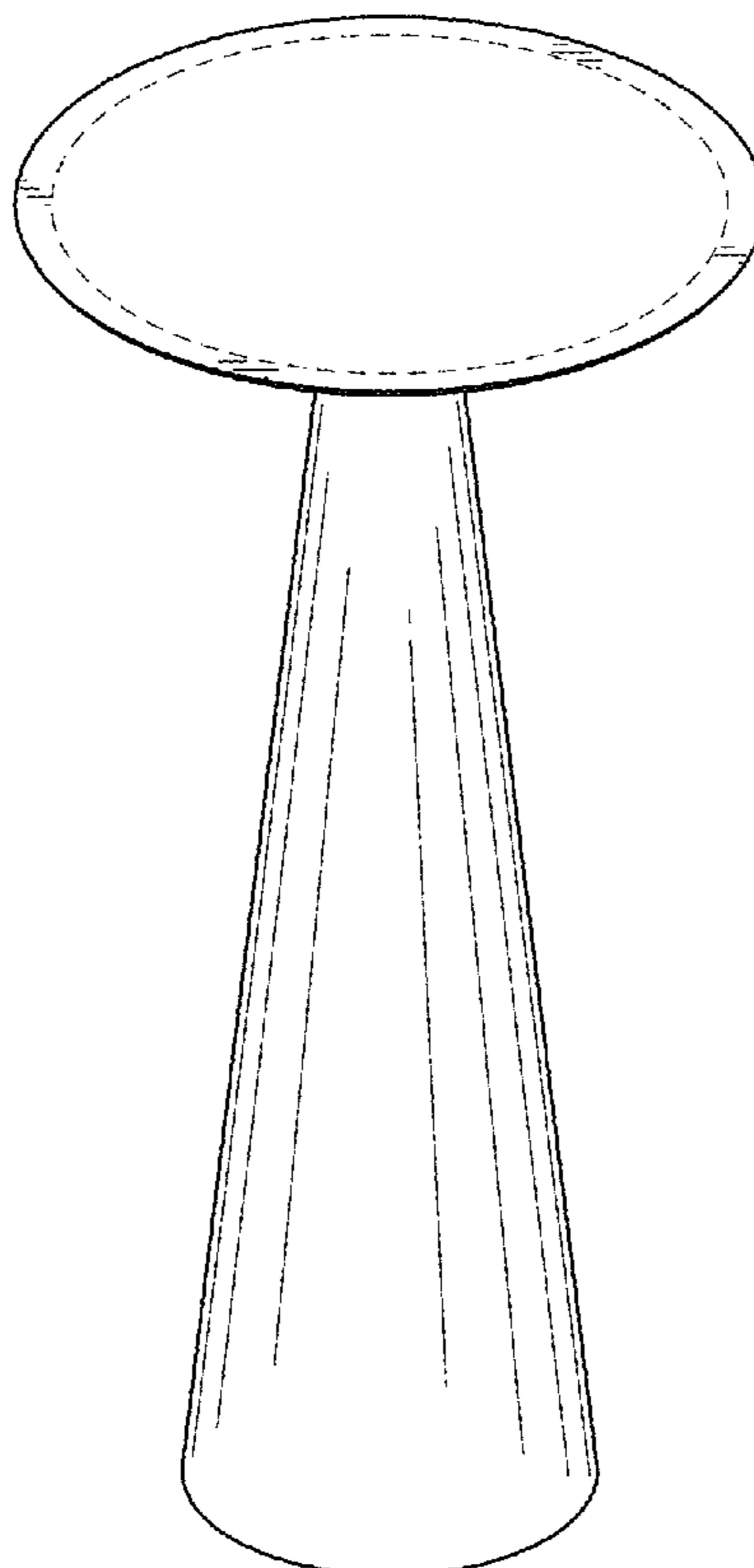
(57) **CLAIM**
The ornamental design for a table, as shown and described.

DESCRIPTION

FIG. 1 is a front perspective view of a table; FIG. 2 is a front elevation view thereof; the rear elevation view, the left side elevation view, and the right side elevation view being identical images thereof; FIG. 3 is a top plan view thereof; and, FIG. 4 is a bottom plan view thereof. The broken lines shown in the drawings illustrate portions of the table that form no part of the claimed design.

1 Claim, 2 Drawing Sheets

(56) **References Cited**
U.S. PATENT DOCUMENTS
D119,619 S * 3/1940 Fuerst et al. D11/154
3,724,745 A * 4/1973 Brown A47C 9/007 206/216
D265,442 S * 7/1982 Grossman D6/677
D323,263 S * 1/1992 Blackburn D6/686



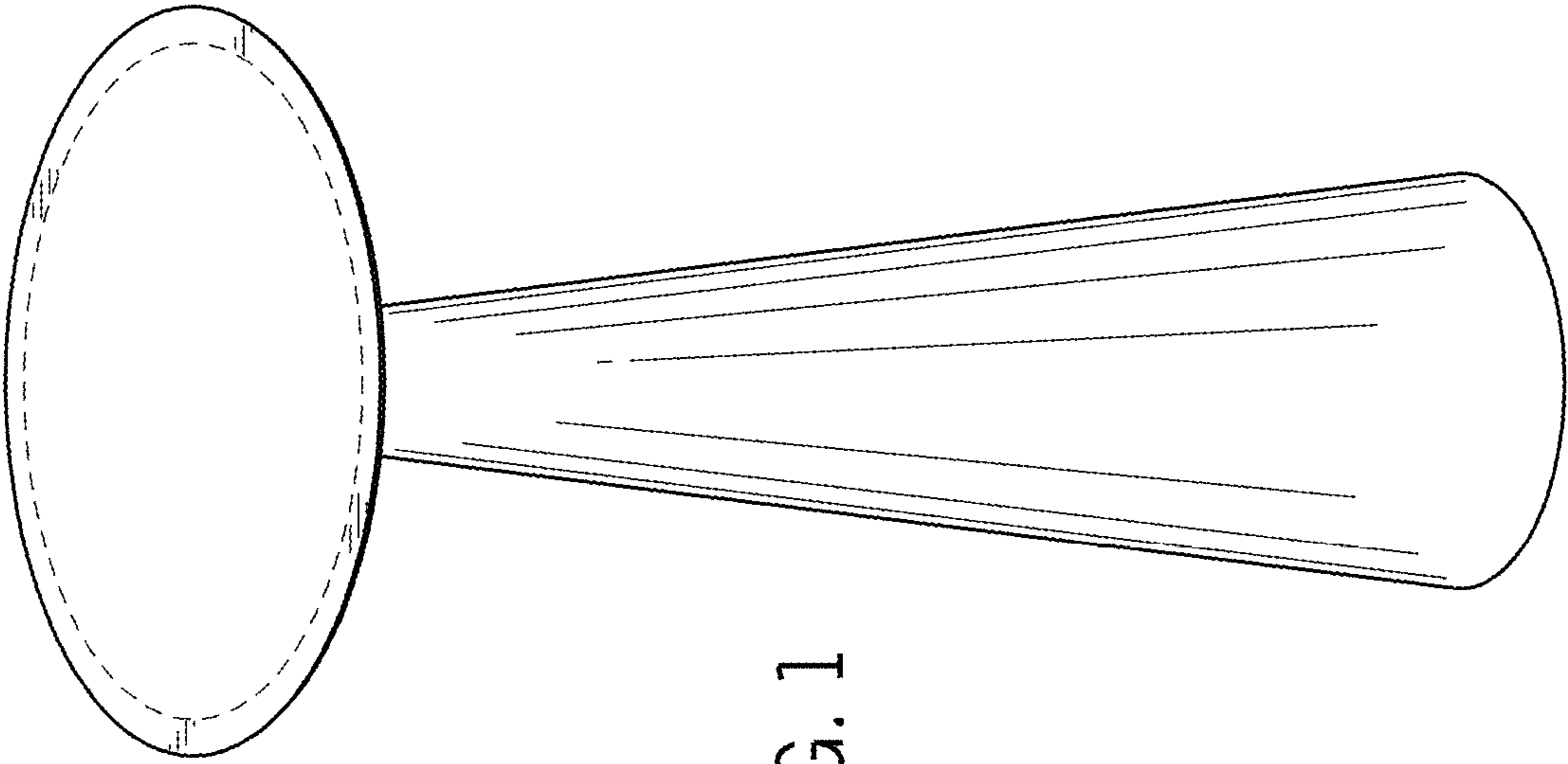


FIG. 1

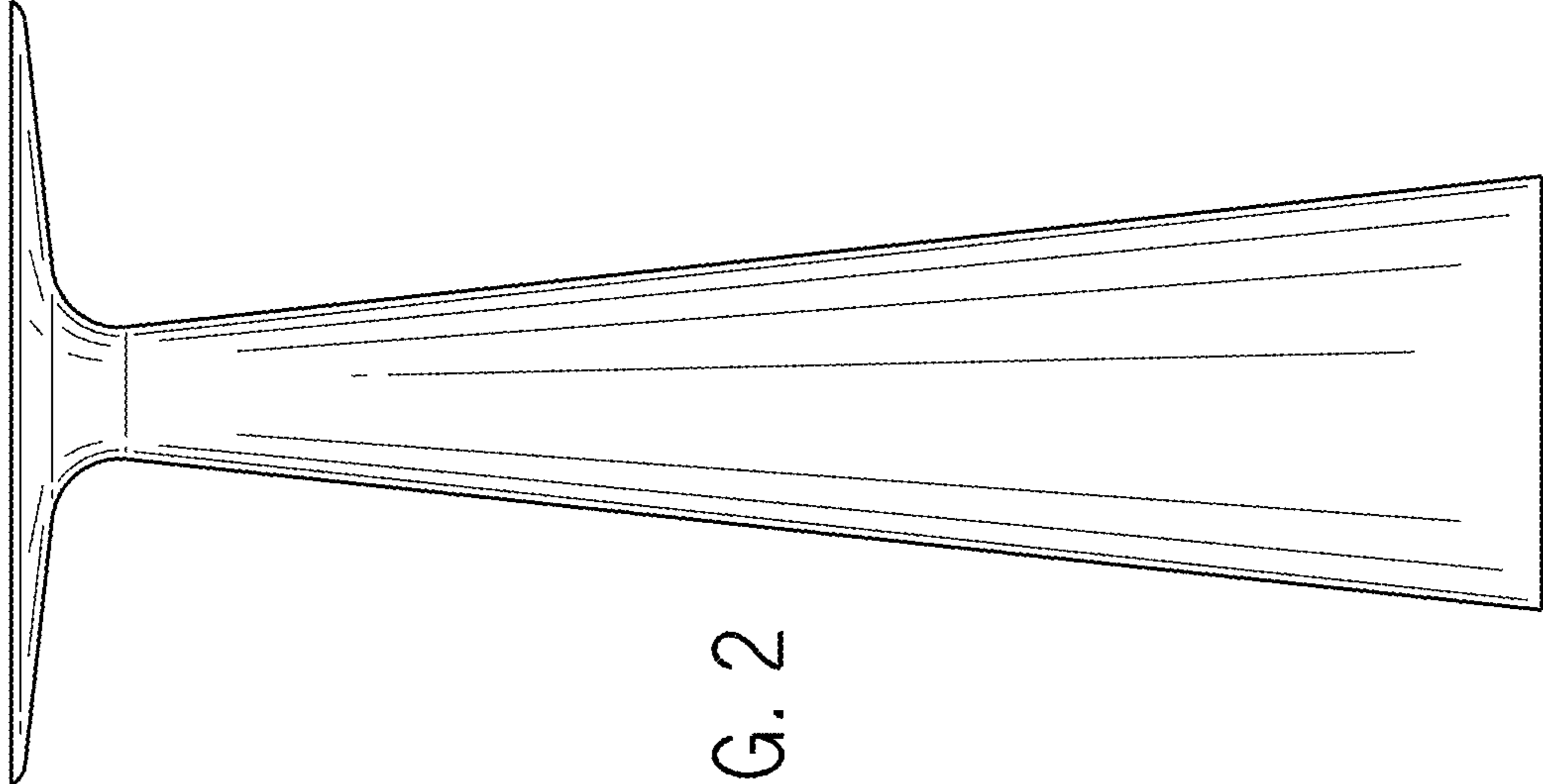


FIG. 2

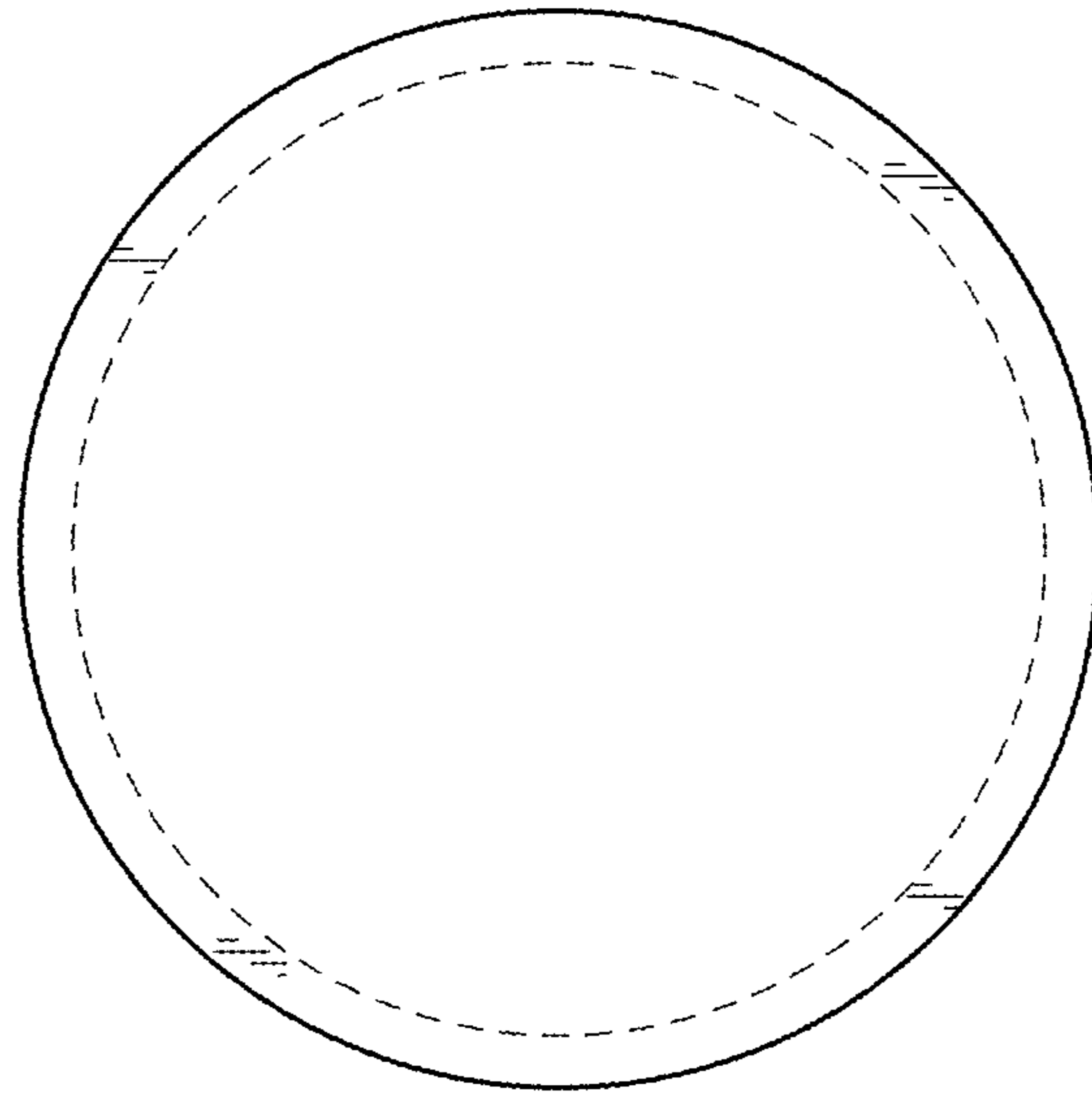


FIG. 3

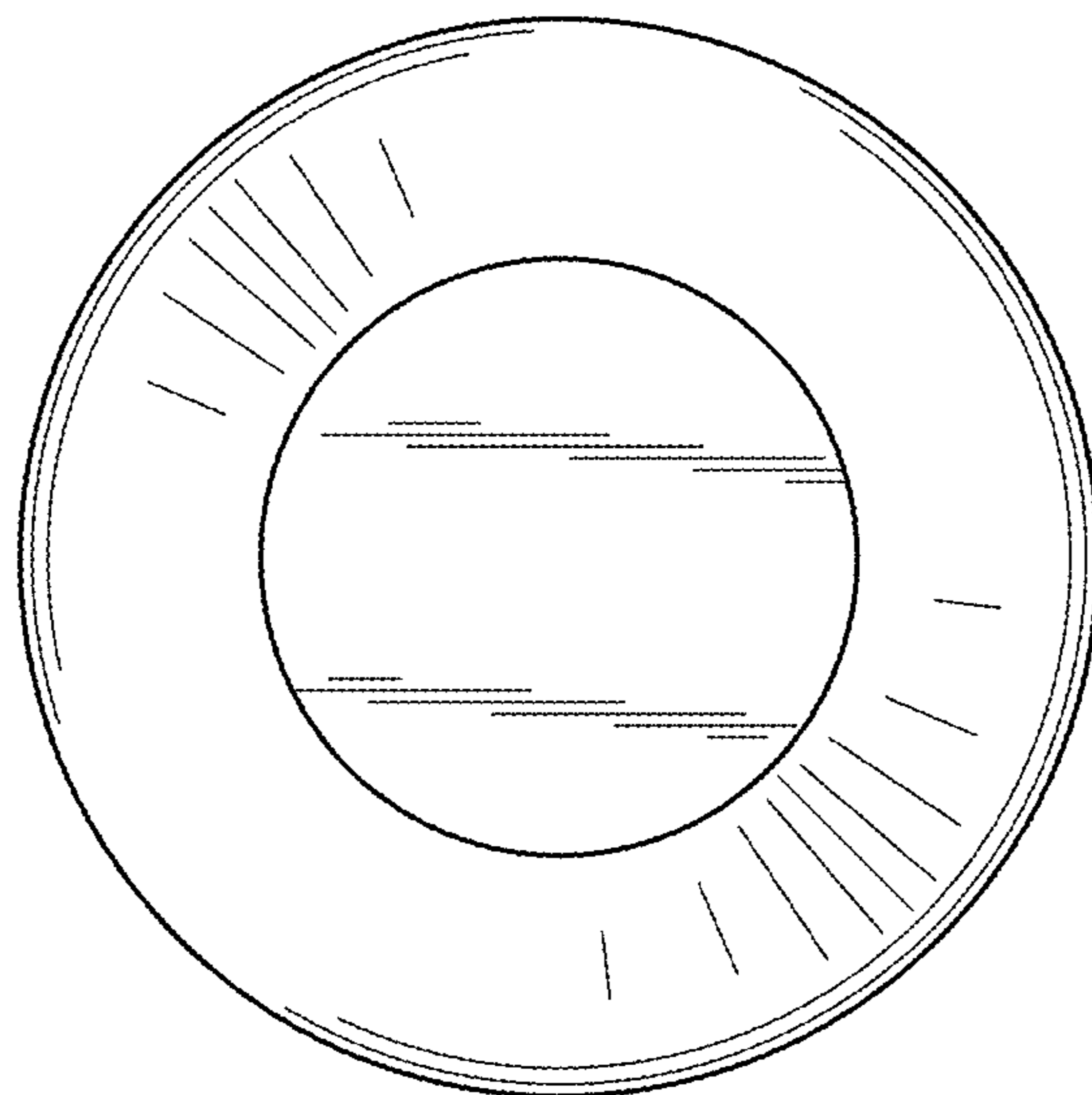


FIG. 4