



US00D769035S

(12) **United States Design Patent** (10) **Patent No.:** **US D769,035 S**
Williams et al. (45) **Date of Patent:** **** Oct. 18, 2016**

(54) **COLLAPSIBLE ORGANIZER**
(71) Applicant: **Guidecraft, Inc.**, Winthrop, MN (US)
(72) Inventors: **Andrew Williams**, Chester, NY (US);
Gary L. Bilezikian, Warwick, NY (US)
(73) Assignee: **Guidecraft, Inc.**, Tuxedo Park, NY
(US)

(**) Term: **15 Years**

(21) Appl. No.: **29/528,810**

(22) Filed: **Jun. 1, 2015**

(51) **LOC (10) Cl.** **06-06**

(52) **U.S. Cl.**
USPC **D6/683.1**

(58) **Field of Classification Search**
USPC D3/303, 305, 311; D6/675, 675.1,
D6/675.2, 675.3, 683, 683.1; D19/75, 77,
D19/78, 90
CPC B25H 3/00; B43K 23/001; B43M 99/001;
B43M 9/006
See application file for complete search history.

(56) **References Cited**

U.S. PATENT DOCUMENTS

D328,100 S * 7/1992 Liaw D19/65
D357,373 S * 4/1995 Wolff D19/77
D390,266 S * 2/1998 Cheris D19/77
D390,268 S * 2/1998 Stravitz D19/75
6,206,224 B1 * 3/2001 Potts B62B 3/1464
220/23.86
D479,924 S * 9/2003 Bates D6/680
D486,121 S * 2/2004 Bergh D12/425
D497,184 S * 10/2004 Bain D19/75
D502,509 S * 3/2005 DeCarlo D19/75

D531,225 S * 10/2006 Kent D19/77
D539,036 S * 3/2007 Potts D12/425
D544,265 S * 6/2007 Giannone D6/524
D555,736 S * 11/2007 Decarlo D19/90
D633,296 S * 3/2011 Potts D3/305
D693,124 S * 11/2013 Snyder D3/303
D702,761 S * 4/2014 Foley D19/77
D713,453 S * 9/2014 Chuang D19/77
D713,454 S * 9/2014 Chuang D19/77
D713,455 S * 9/2014 Chuang D19/78
D713,456 S * 9/2014 Chuang D19/78

* cited by examiner

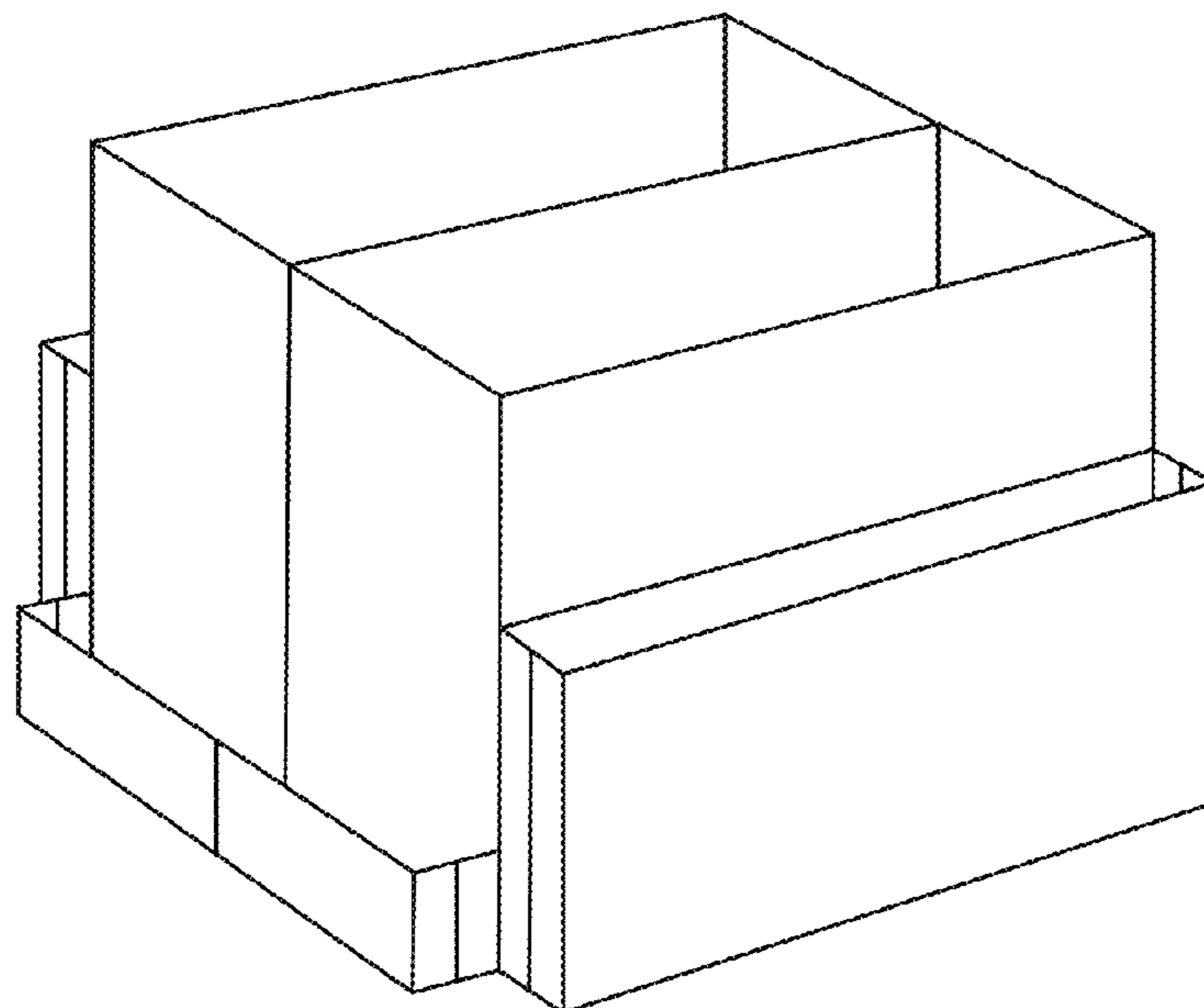
Primary Examiner — Kelley Donnelly
(74) *Attorney, Agent, or Firm* — Spilman Thomas &
Battle, PLLC; Eric D. Ruka

(57) **CLAIM**
The ornamental design for the collapsible organizer, as
herein shown and described.

DESCRIPTION

FIG. 1 is a perspective view of a collapsible organizer
constructed according to the present invention;
FIG. 2 is a front elevational view thereof, the rear elevational
view being identical;
FIG. 3 is a left side elevational view thereof, the right side
elevational view being identical;
FIG. 4 is a top plan view thereof;
FIG. 5 is a bottom plan view thereof;
FIG. 6 is a perspective view thereof when the central divider
of the present collapsible organizer is removed;
FIG. 7 is a perspective view thereof when the present
collapsible organizer is partially collapsed; and,
FIG. 8 is a left side elevational view thereof when the
present collapsible organizer is fully collapsed, the right side
elevational view being identical.

1 Claim, 5 Drawing Sheets



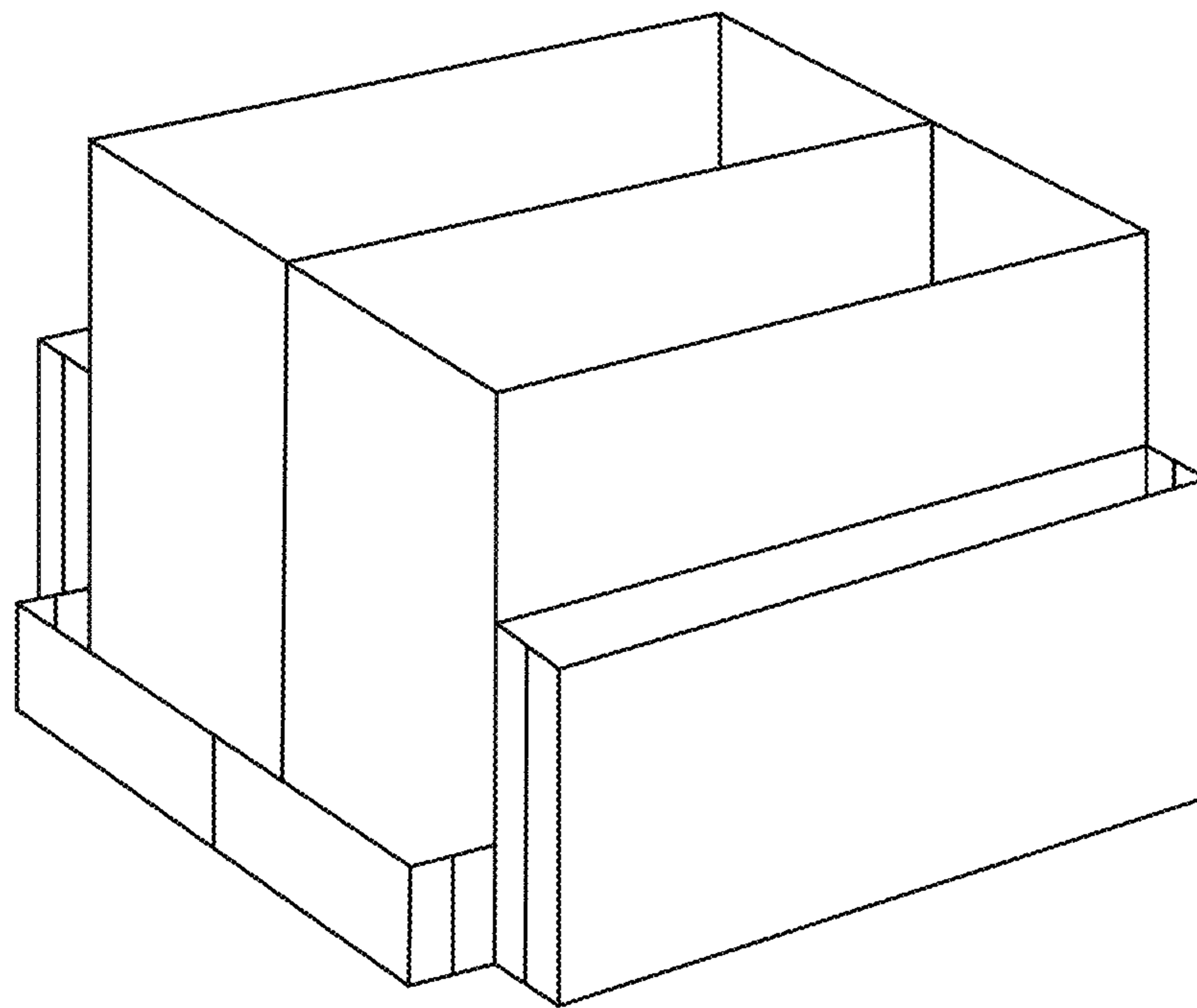


FIG. 1

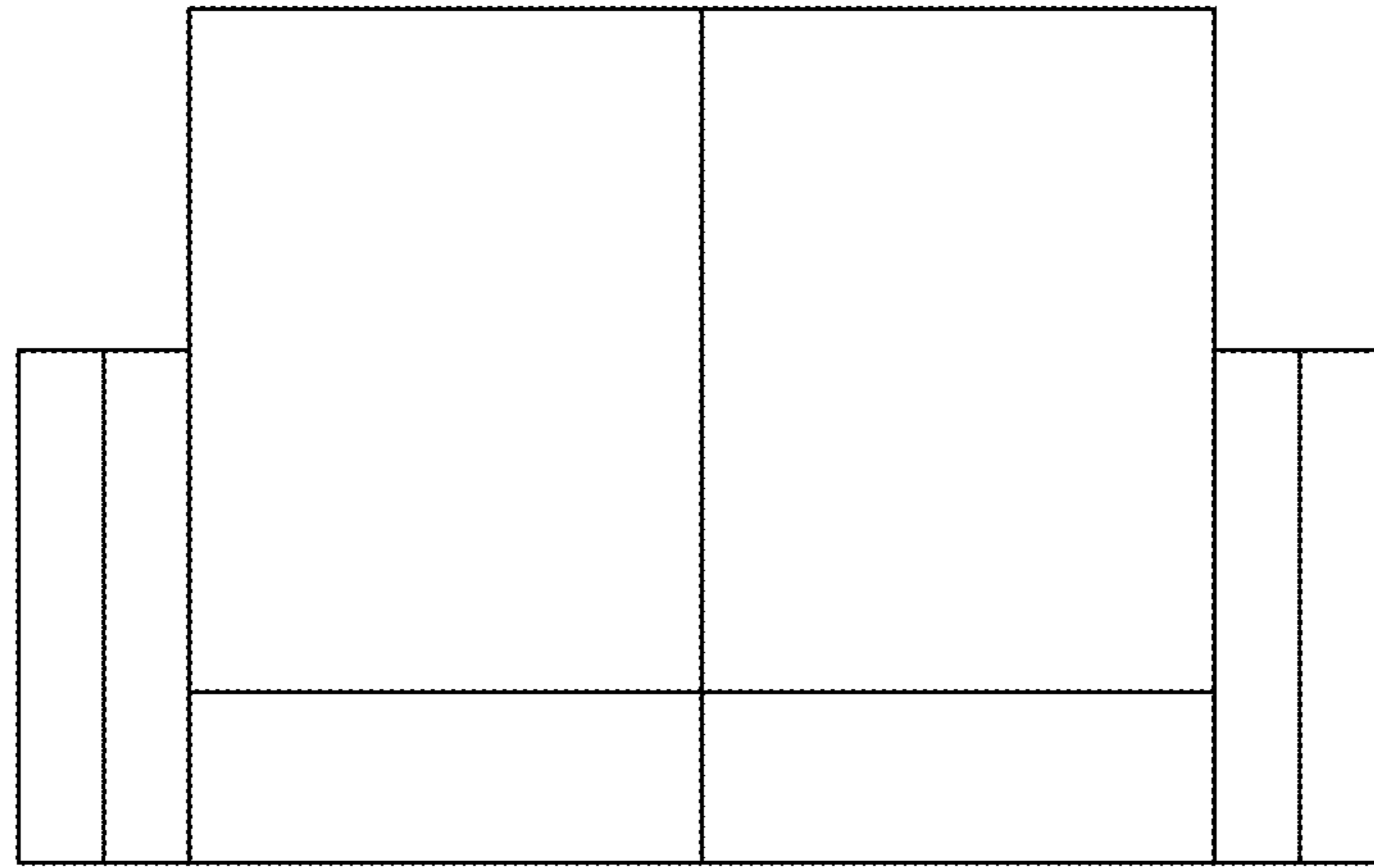


FIG. 2

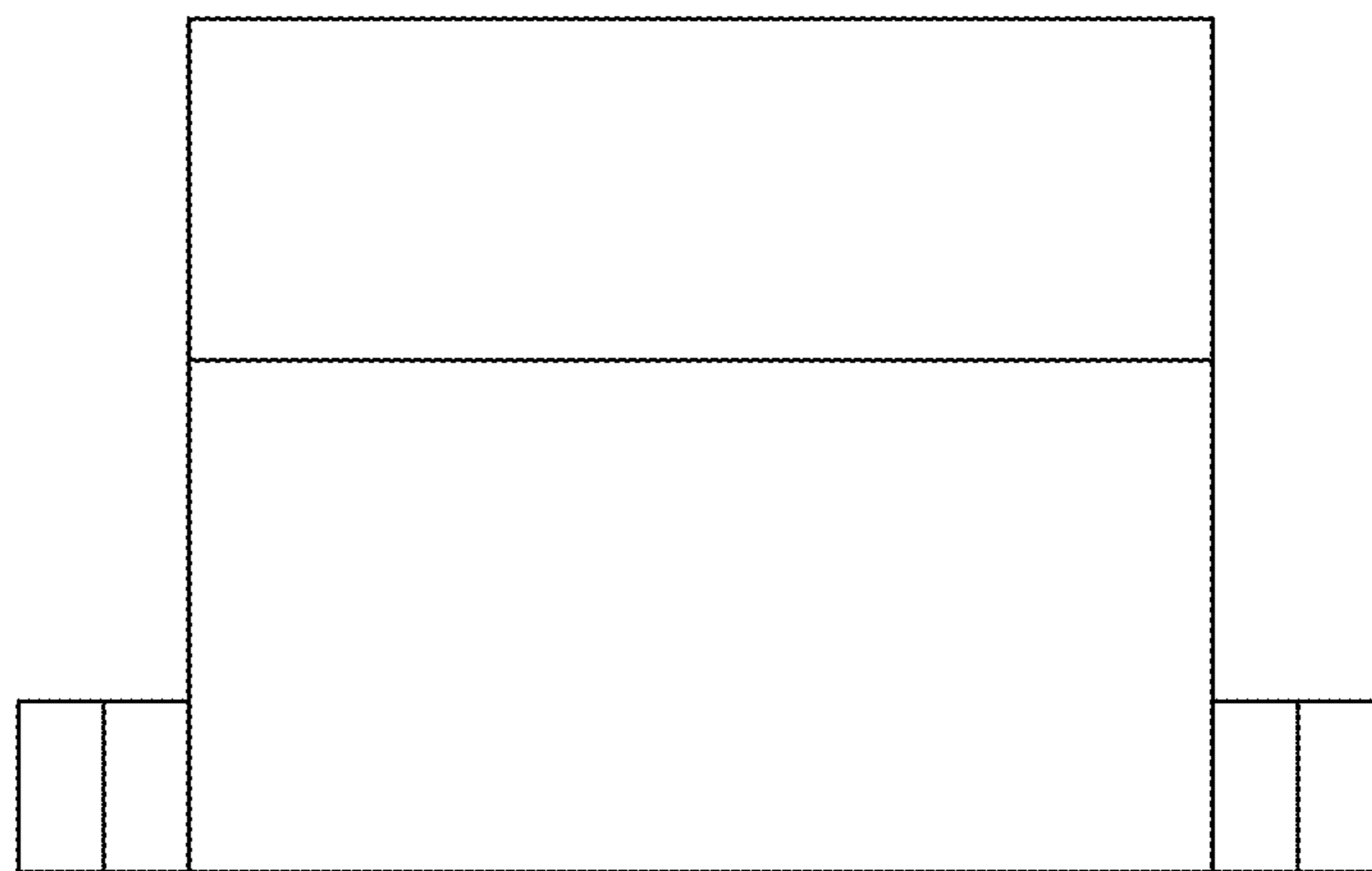


FIG. 3

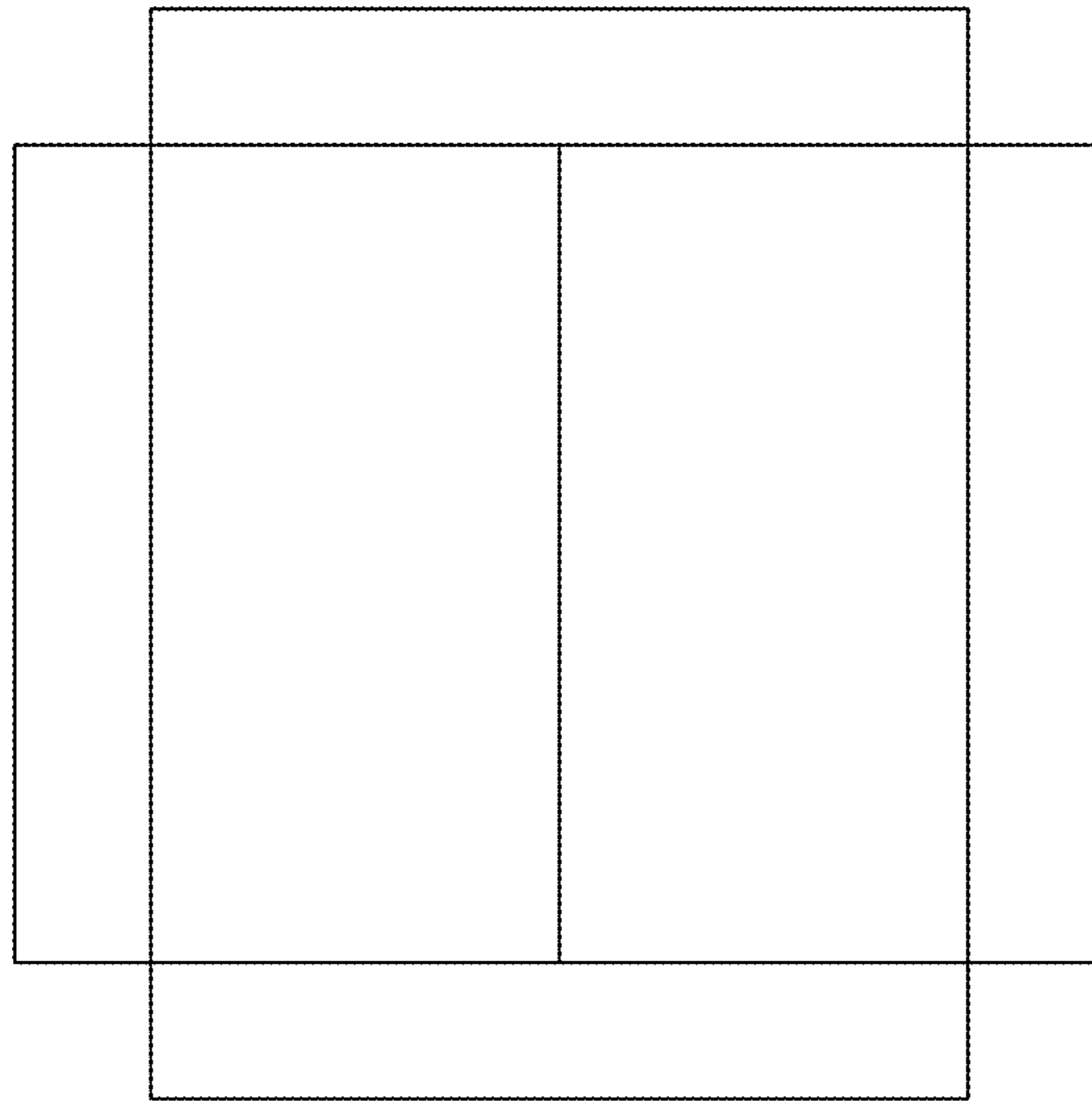


FIG. 4

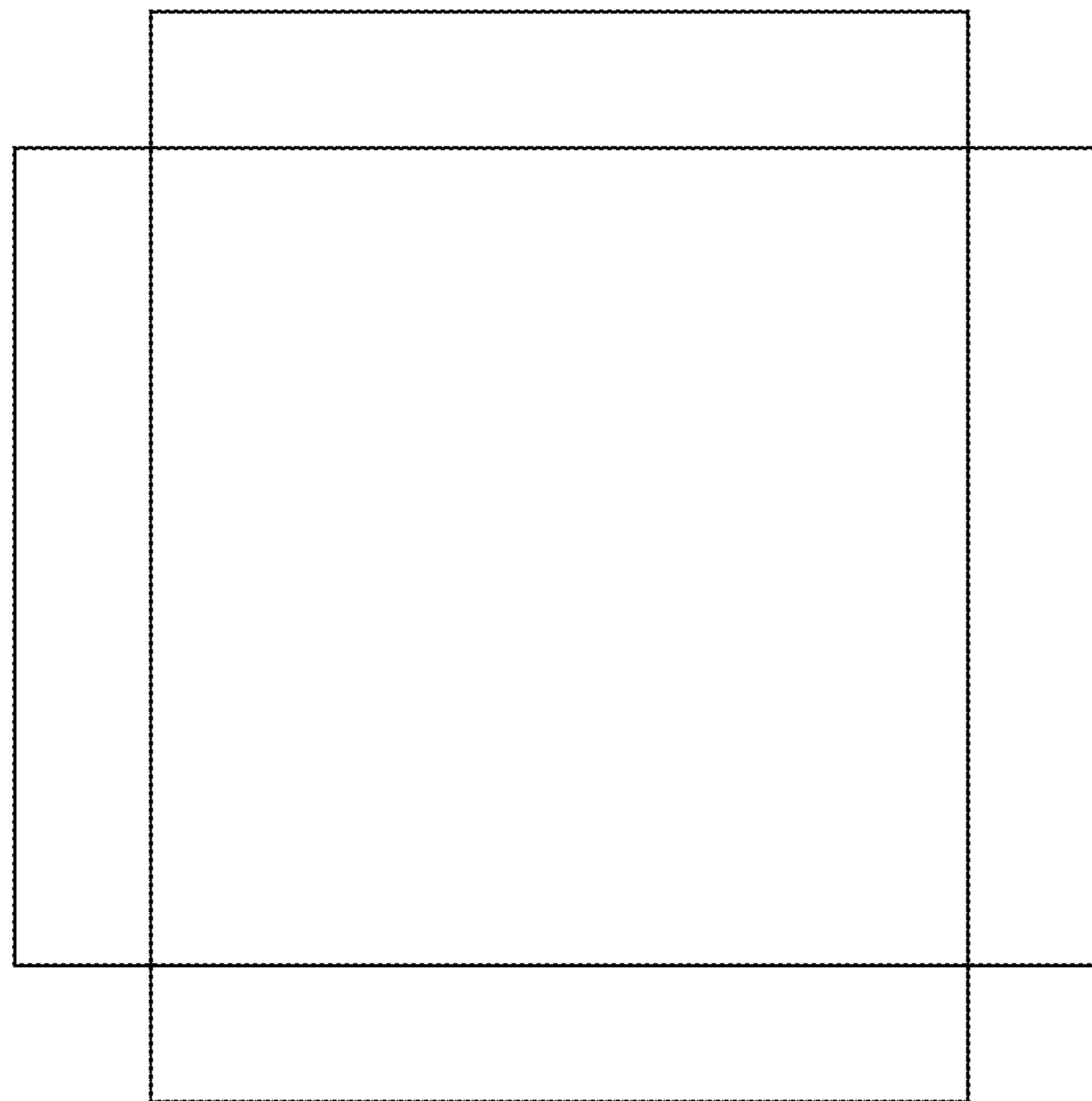


FIG. 5

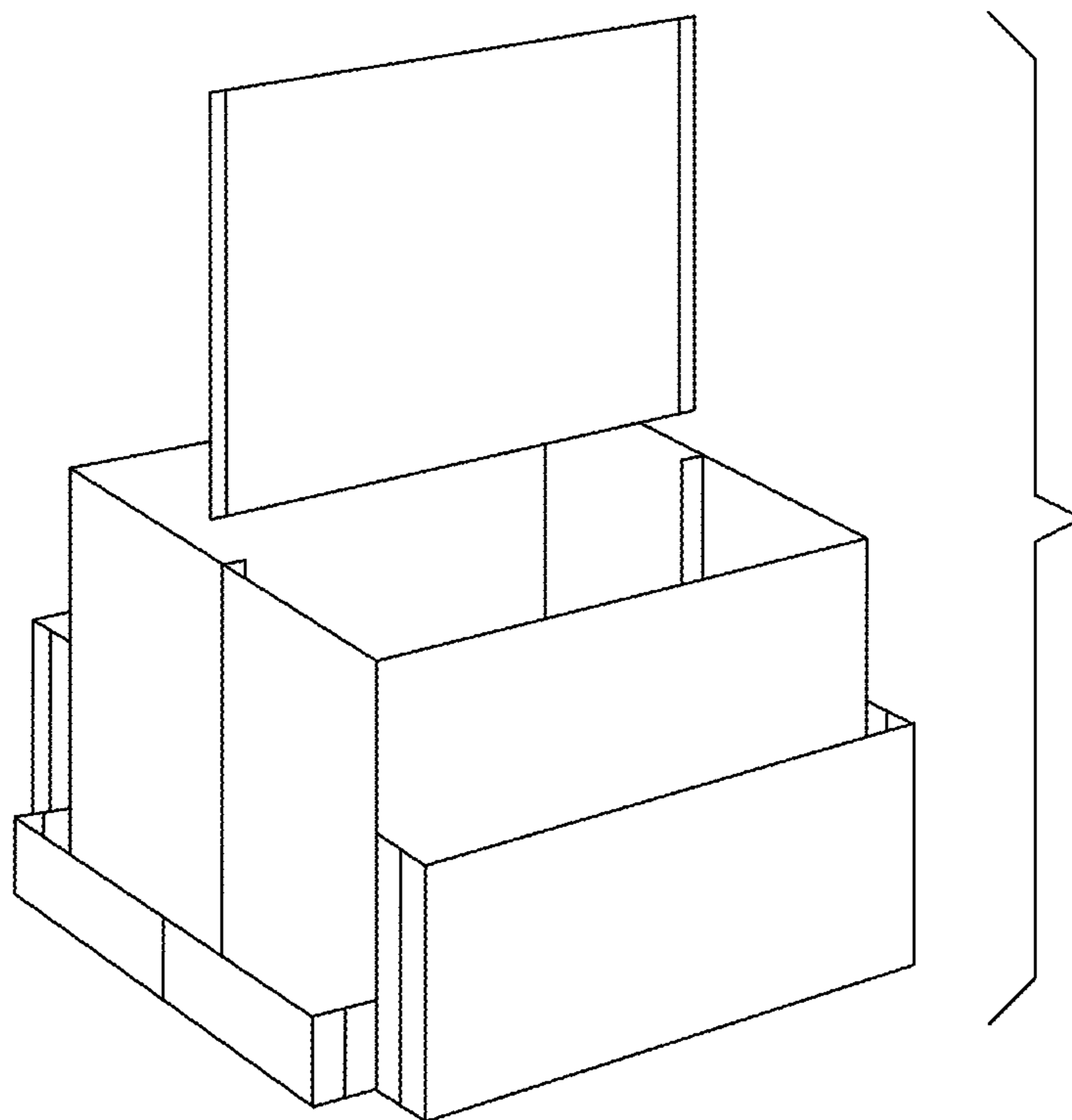


FIG. 6

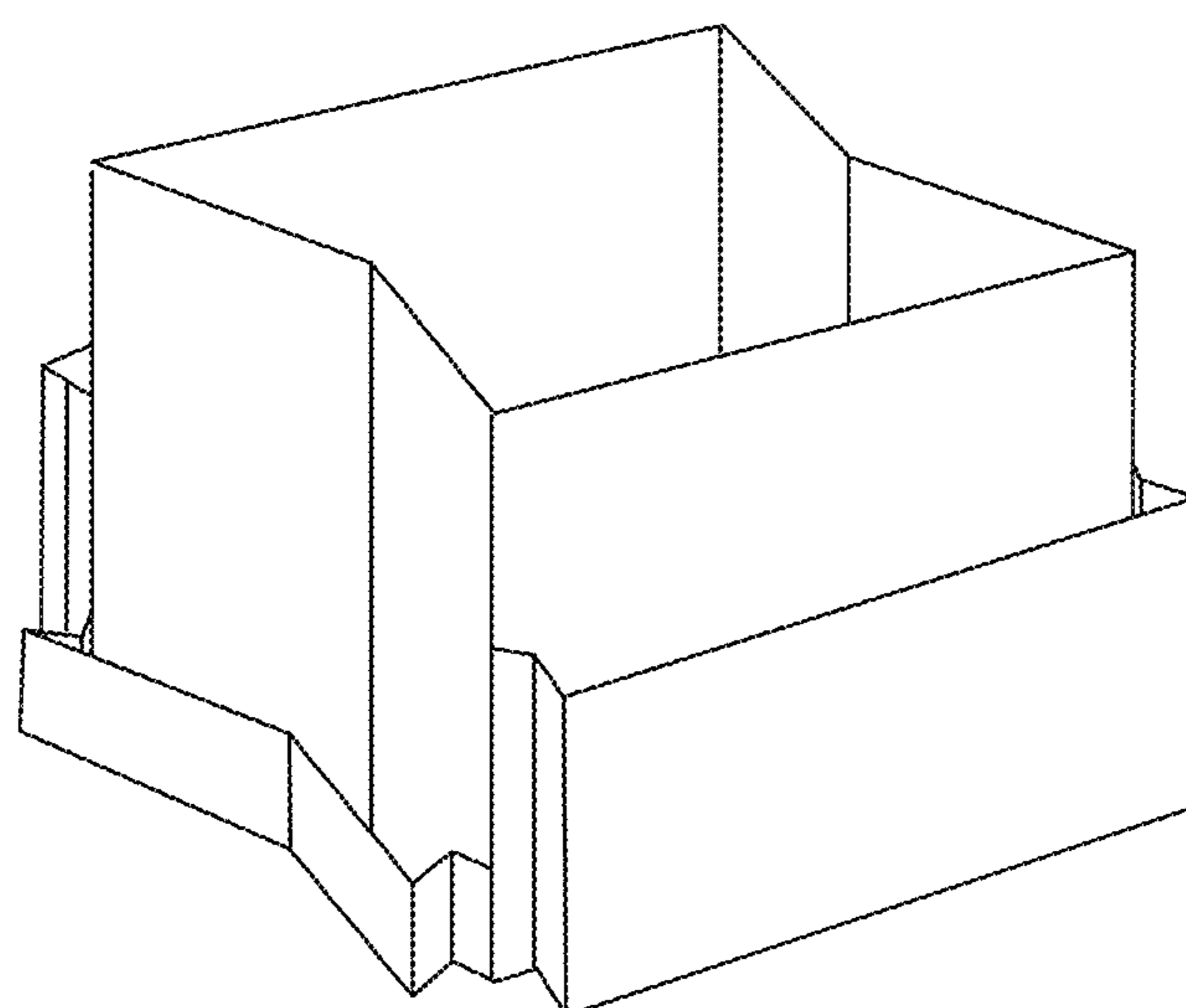


FIG. 7

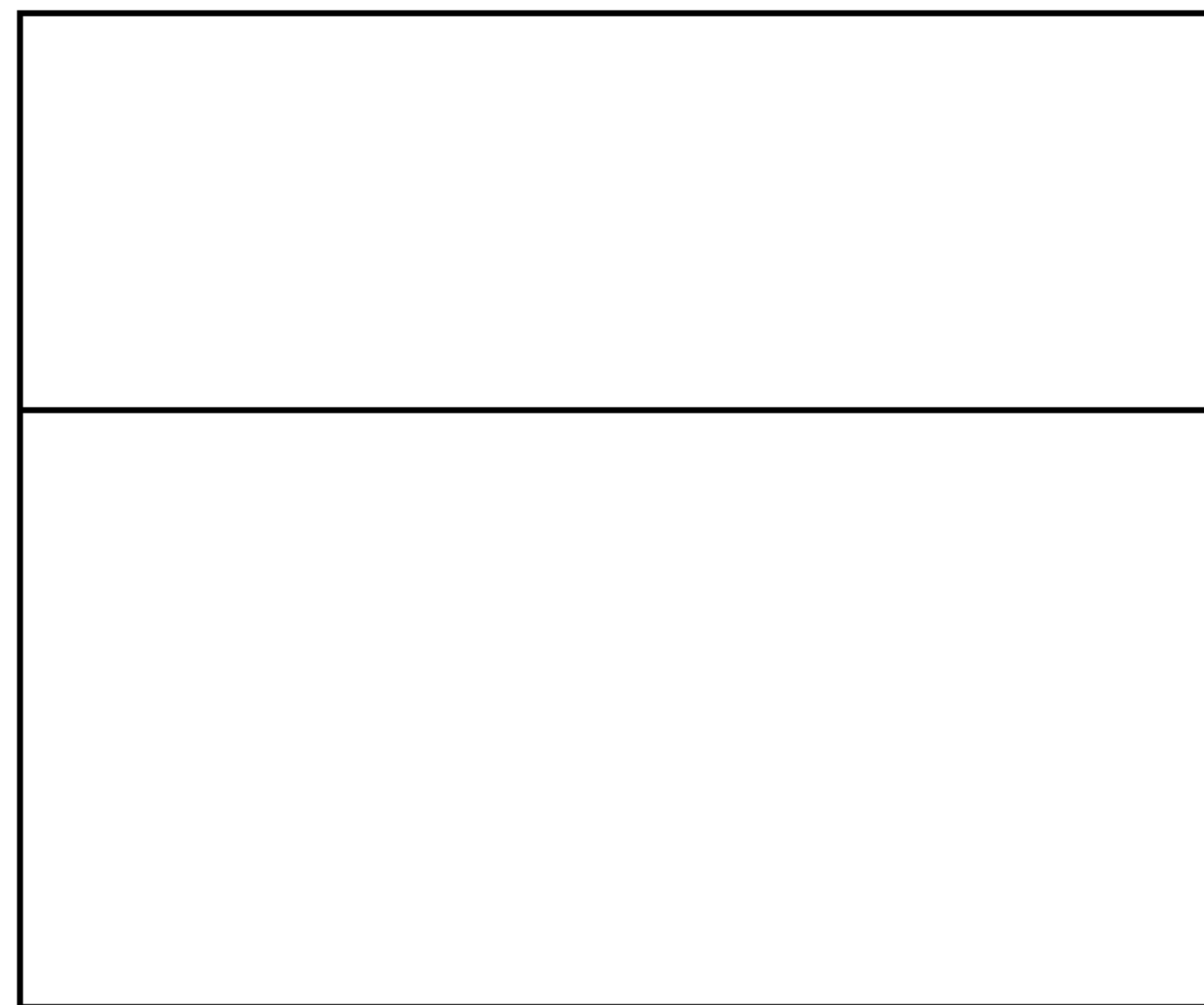


FIG. 8