



US00D769034S

(12) **United States Design Patent** (10) **Patent No.:** **US D769,034 S**
Lawson (45) **Date of Patent:** **** Oct. 18, 2016**

(54) **CLOSET POLE**

(71) Applicant: **Stephen John Lawson**, Surrey (CA)

(72) Inventor: **Stephen John Lawson**, Surrey (CA)

(**) Term: **14 Years**

(21) Appl. No.: **29/519,407**

(22) Filed: **Mar. 4, 2015**

(51) **LOC (10) Cl.** **06-08**

(52) **U.S. Cl.**
USPC **D6/681.1**

(58) **Field of Classification Search**
USPC D6/672, 678.4, 681, 681.1, 682.5, 553,
D6/549, 580, 522; D8/376, 377, 380;
D23/266; D25/41.1, 119, 122
CPC E05D 15/0652; A47K 10/025; A47K
10/04; A47F 5/0861; A47F 8/0846; A47G
25/746; A47H 1/02; D06F 57/12; E06B
9/323

See application file for complete search history.

(56) **References Cited**

U.S. PATENT DOCUMENTS

2,020,991	A *	11/1935	Brody	A47B 61/003 211/123
D233,033	S *	10/1974	Donne et al.	D12/400
D243,730	S *	3/1977	Koenig	D25/123
D245,756	S *	9/1977	McKee	D25/122
4,139,102	A *	2/1979	Winton	E05B 69/006 211/124
D289,634	S *	5/1987	Bramwell	D13/155
D294,865	S *	3/1988	Meshulam	D25/122
D295,521	S *	5/1988	Mockett	D13/155
4,760,929	A *	8/1988	Fedorchak	A47F 7/24 211/105.1
D320,521	S *	10/1991	Baur	D6/512
D324,576	S *	3/1992	Bell	D20/44
D326,027	S *	5/1992	Estes	D6/553
D337,257	S *	7/1993	Danieli	D25/122
D355,353	S *	2/1995	Pozzi	D25/124
D358,982	S *	6/1995	Bosgoed	D25/122

D375,573	S *	11/1996	Andres	D25/122
D412,142	S *	7/1999	Dickie	D12/133
D414,880	S *	10/1999	Giese	D25/122
D422,440	S *	4/2000	De Vries	D6/553
D430,480	S *	9/2000	Rowan	D8/363
D478,271	S *	8/2003	McCoy	D12/223

(Continued)

OTHER PUBLICATIONS

Oval Closet Rod, available from Richelieu Hardware. <http://www.richelieu.com/ca/en/category/closet/rods-and-brackets/closet-rods/oval-closet-rod/1046721>.

(Continued)

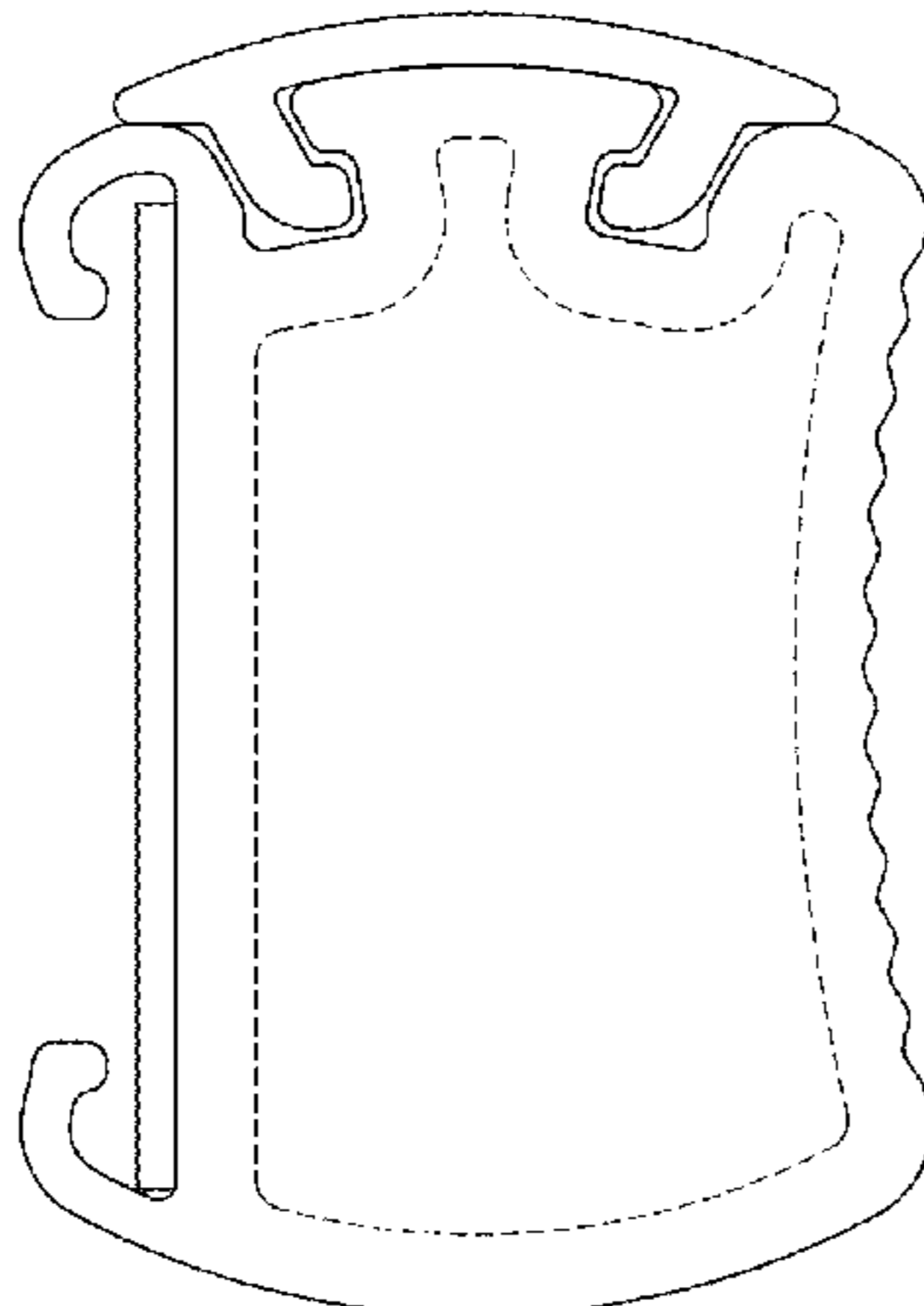
Primary Examiner — John Windmuller
Assistant Examiner — Steven Czyz
(74) *Attorney, Agent, or Firm* — Palmer IP Inc.

(57) **CLAIM**
The ornamental design for a closet pole, as shown and described.

DESCRIPTION

FIG. 1 is an end view of a closet pole according to the first embodiment;
FIG. 2 is a perspective view from the top right side thereof;
FIG. 3 is a perspective view from the top left side thereof;
FIG. 4 is a perspective view from the bottom right side thereof;
FIG. 5 is an end view of a closet pole according to the second embodiment;
FIG. 6 is a perspective view from the top right side thereof;
FIG. 7 is a perspective view from the top left side thereof;
and,
FIG. 8 is a perspective view from the bottom right side thereof.
Broken lines as shown in FIGS. 1 to 8 are included to depict boundaries of the claimed design and are not part of the claimed design.

1 Claim, 8 Drawing Sheets



(56)

References Cited

U.S. PATENT DOCUMENTS

D488,055 S * 4/2004 Ter Braak D8/377
 D488,945 S * 4/2004 Bibby D6/580
 D489,210 S * 5/2004 Goldberg D25/119
 D494,801 S * 8/2004 Lee D6/580
 D544,966 S * 6/2007 Seiling D25/122
 D544,967 S * 6/2007 Seiling D25/122
 D552,760 S * 10/2007 Seiling D25/122
 D553,761 S * 10/2007 Antonic D25/122
 D560,823 S * 1/2008 Holland D25/122
 D578,871 S * 10/2008 Rogers D8/376
 D592,944 S * 5/2009 Kollman D8/376
 D595,078 S * 6/2009 Kollman D6/580
 D596,319 S * 7/2009 Koehn D25/122
 7,597,297 B2 * 10/2009 Isfeld A47F 5/0807
 211/105.1
 D604,151 S * 11/2009 Kollman D8/376
 D628,165 S * 11/2010 Perham D13/155
 D628,841 S * 12/2010 Yang D6/525
 D630,934 S * 1/2011 Kollman D8/376
 D632,114 S * 2/2011 Roenick D6/553
 D633,320 S * 3/2011 Brace D6/580
 7,934,274 B2 * 5/2011 Forrest A47K 3/003
 211/105.1

D647,213 S * 10/2011 Seehof D25/41.1
 D647,214 S * 10/2011 Seehof D25/41.1
 D647,630 S * 10/2011 Seehof D25/41.1
 D647,631 S * 10/2011 Seehof D25/41.1
 8,210,369 B2 * 7/2012 Hibshman A47H 1/08
 211/105.1
 D670,946 S * 11/2012 Ng D6/580
 D673,305 S * 12/2012 Cochrane D25/122
 D703,518 S * 4/2014 Lapping D8/376
 D737,605 S * 9/2015 Hornsby D6/681.1
 D746,668 S * 1/2016 Keegan D8/376
 2006/0070966 A1 * 4/2006 Koudys A47B 61/02
 211/105.3

OTHER PUBLICATIONS

Elegant Closet Rod, available from Richelieu Hardware. <http://www.richelieu.com/ca/en/category/closet/rods-and-brackets/closet-rods/elegant-closet-rod-oval/1165774/sku-17008140>.
 Rectangular Closet Rod, available from Richelieu Hardware. <http://www.richelieu.com/ca/en/category/closet/rods-and-brackets/closet-rods/rectangular-closet-rod/1046511>.
 Oval Closet Rod, available from Organize-It, online retailer. <http://www.organizeit.com/custom-sized-oval-closet-rod-chrome.asp>.

* cited by examiner

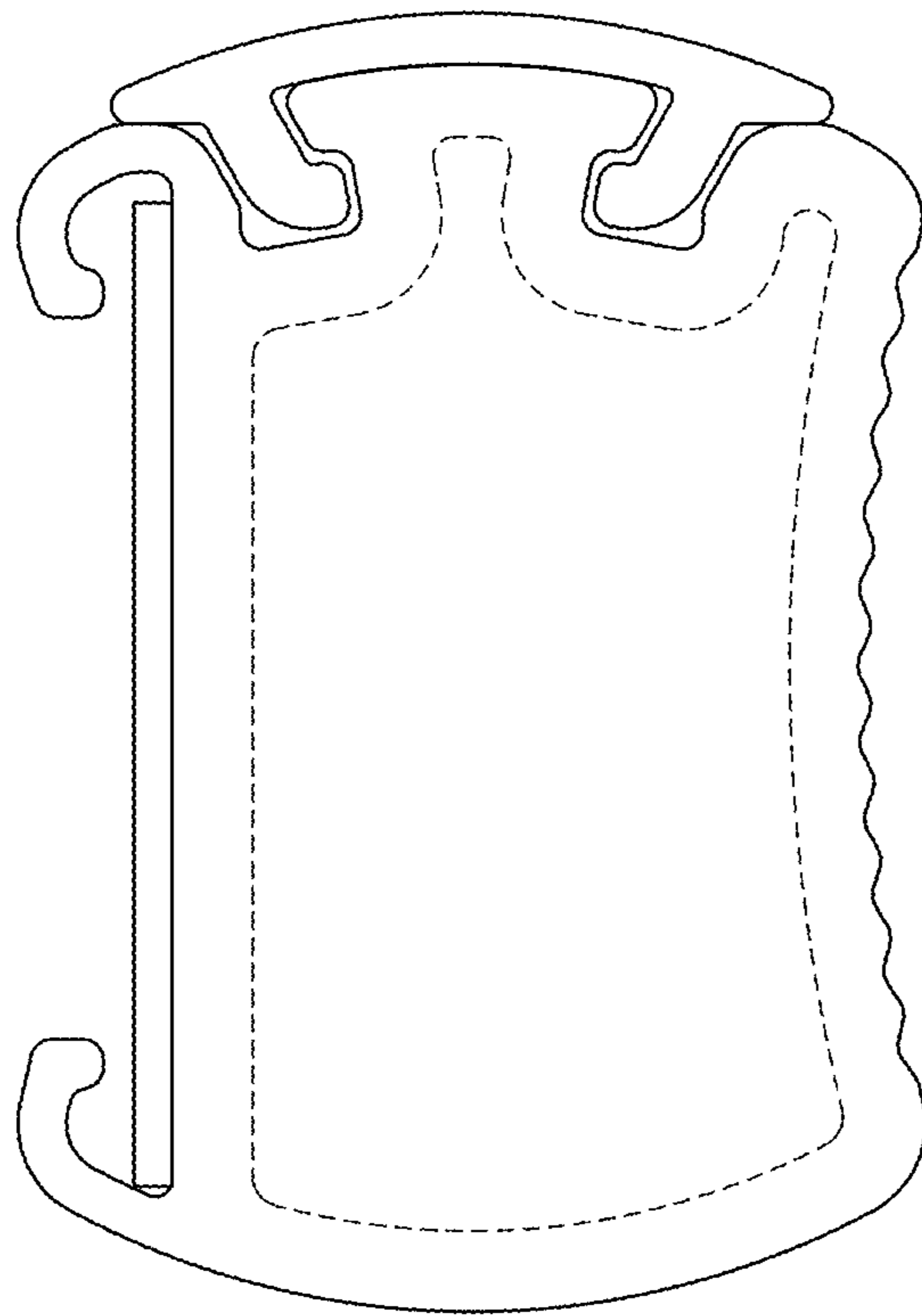


Fig. 1

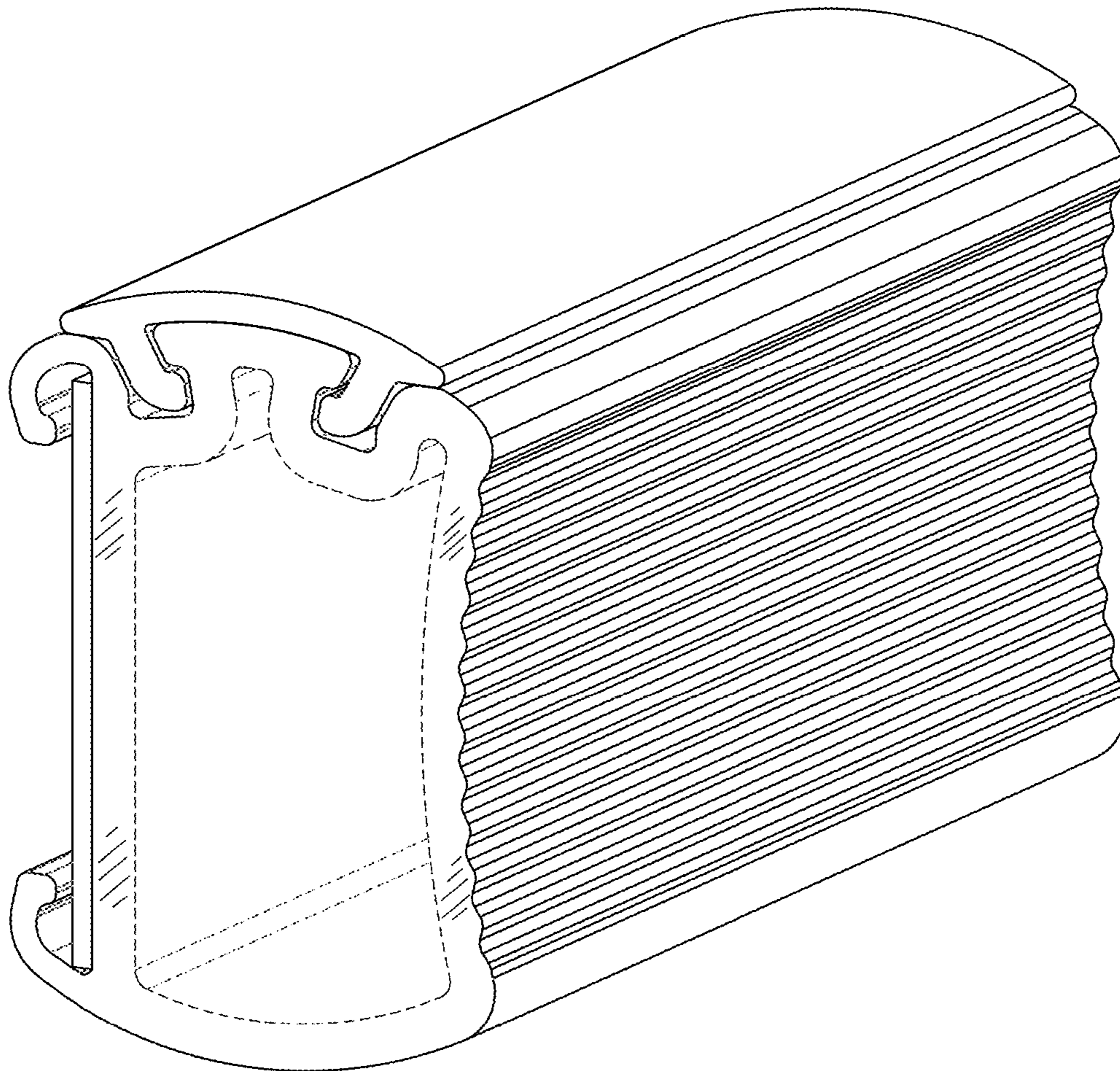


Fig. 2

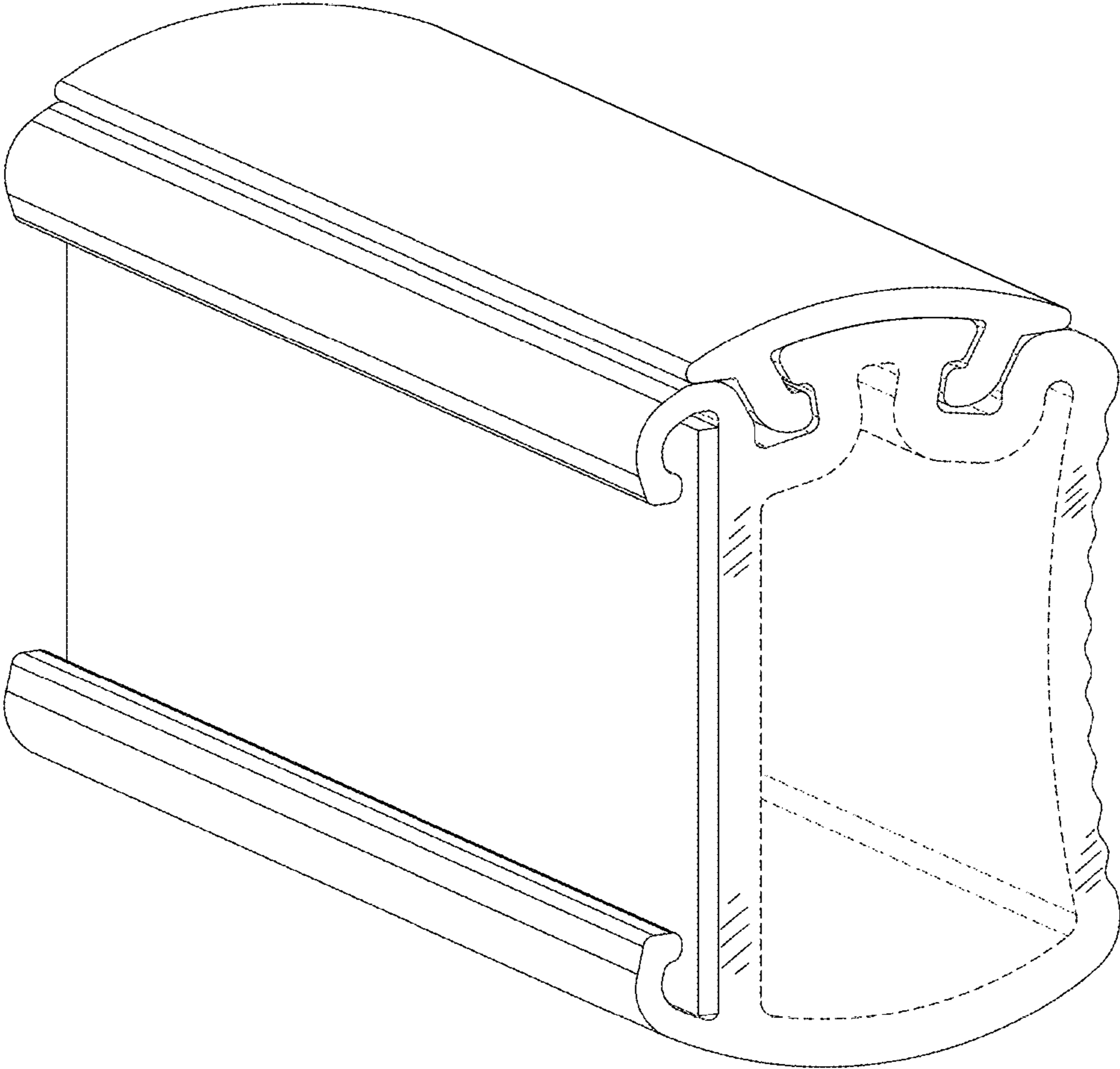


Fig. 3

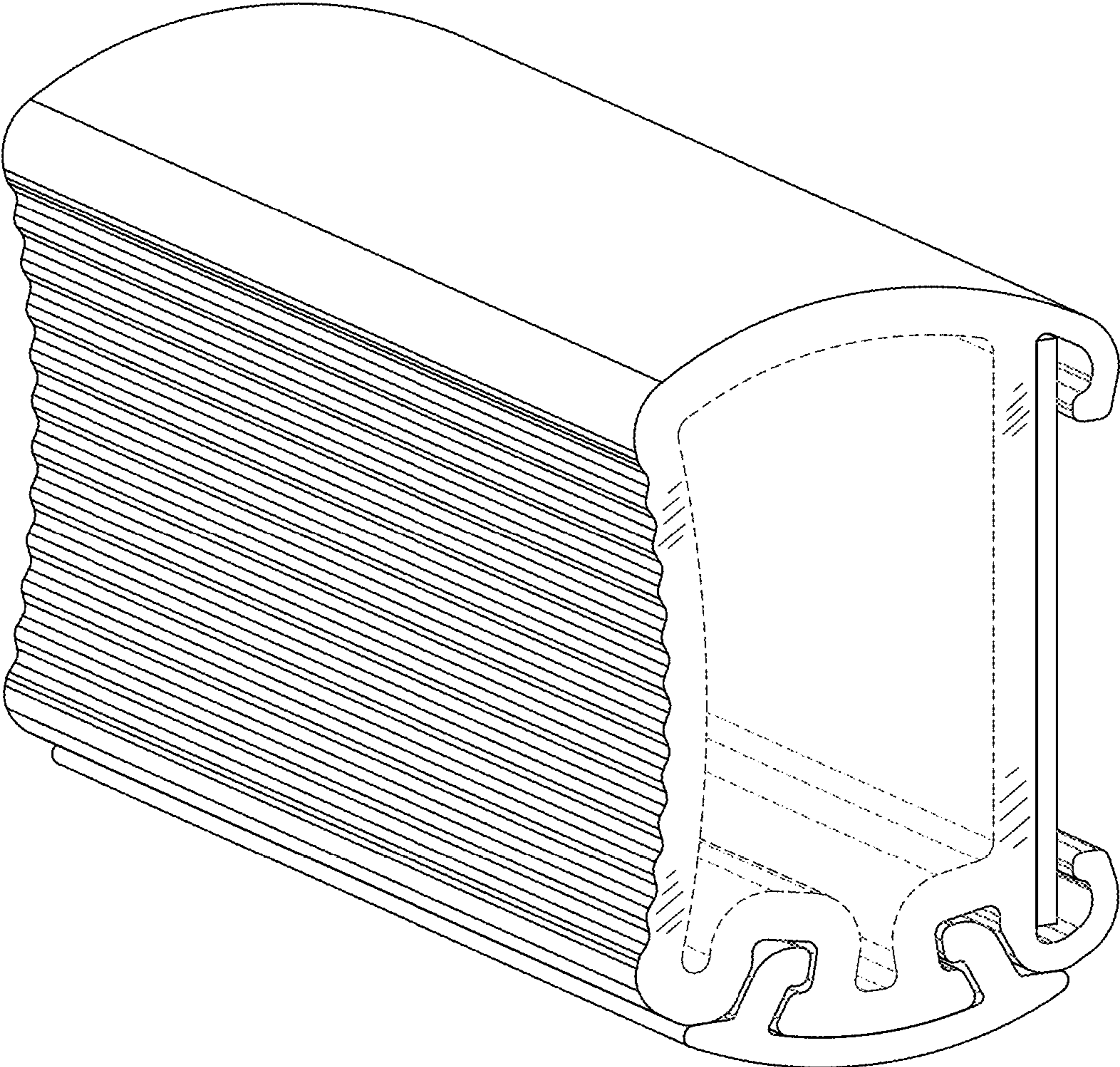


Fig. 4

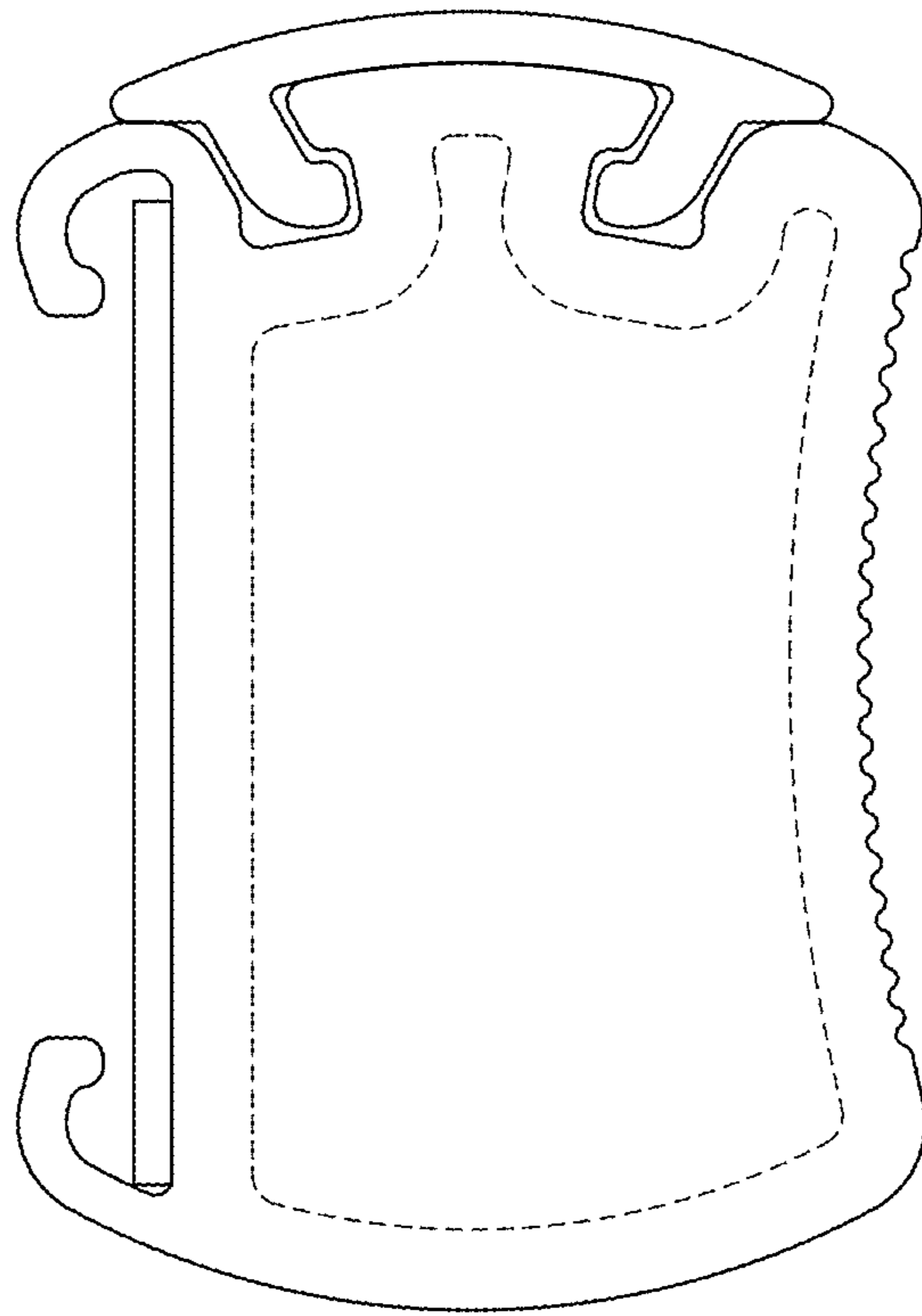


Fig. 5

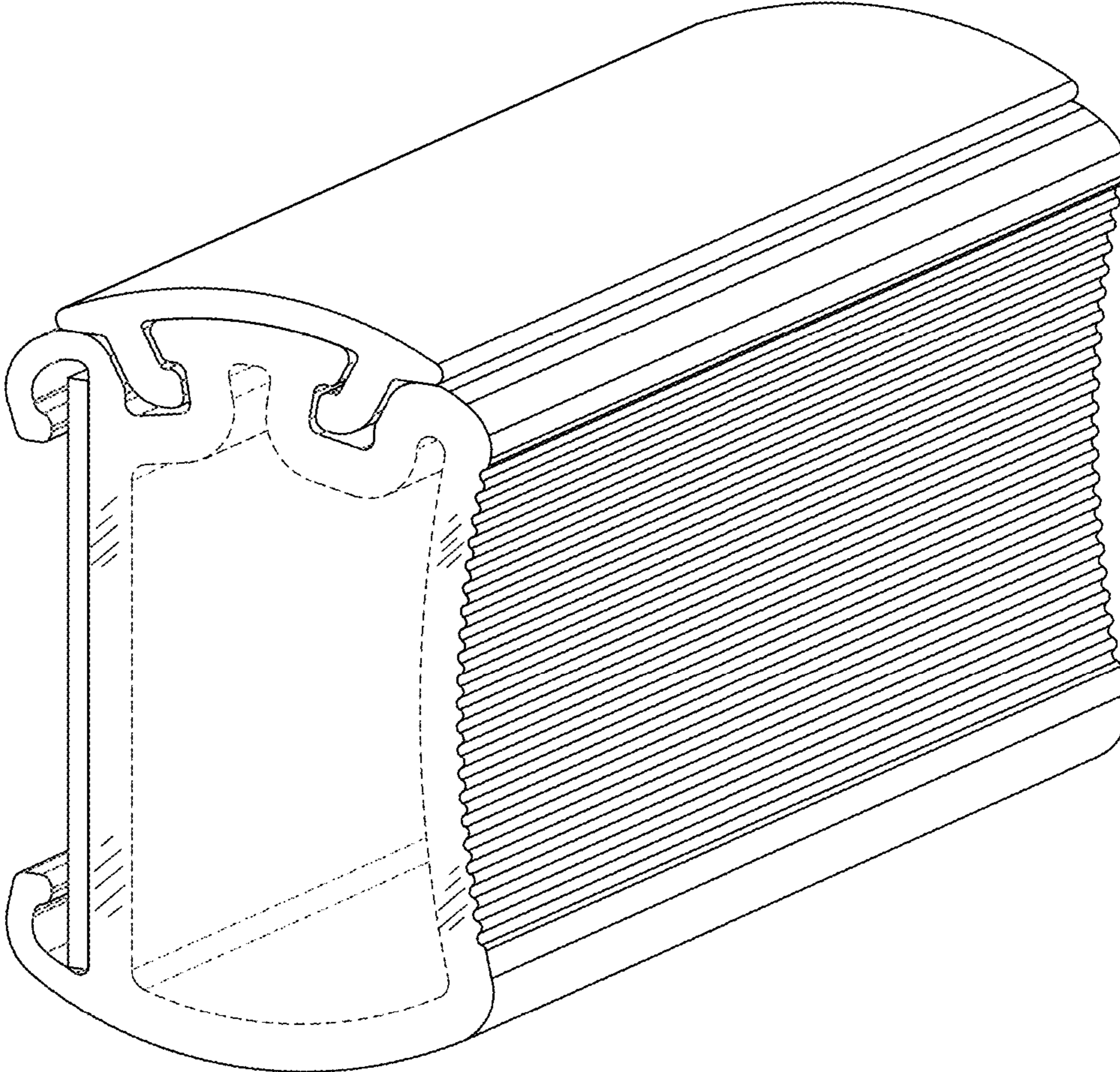


Fig. 6

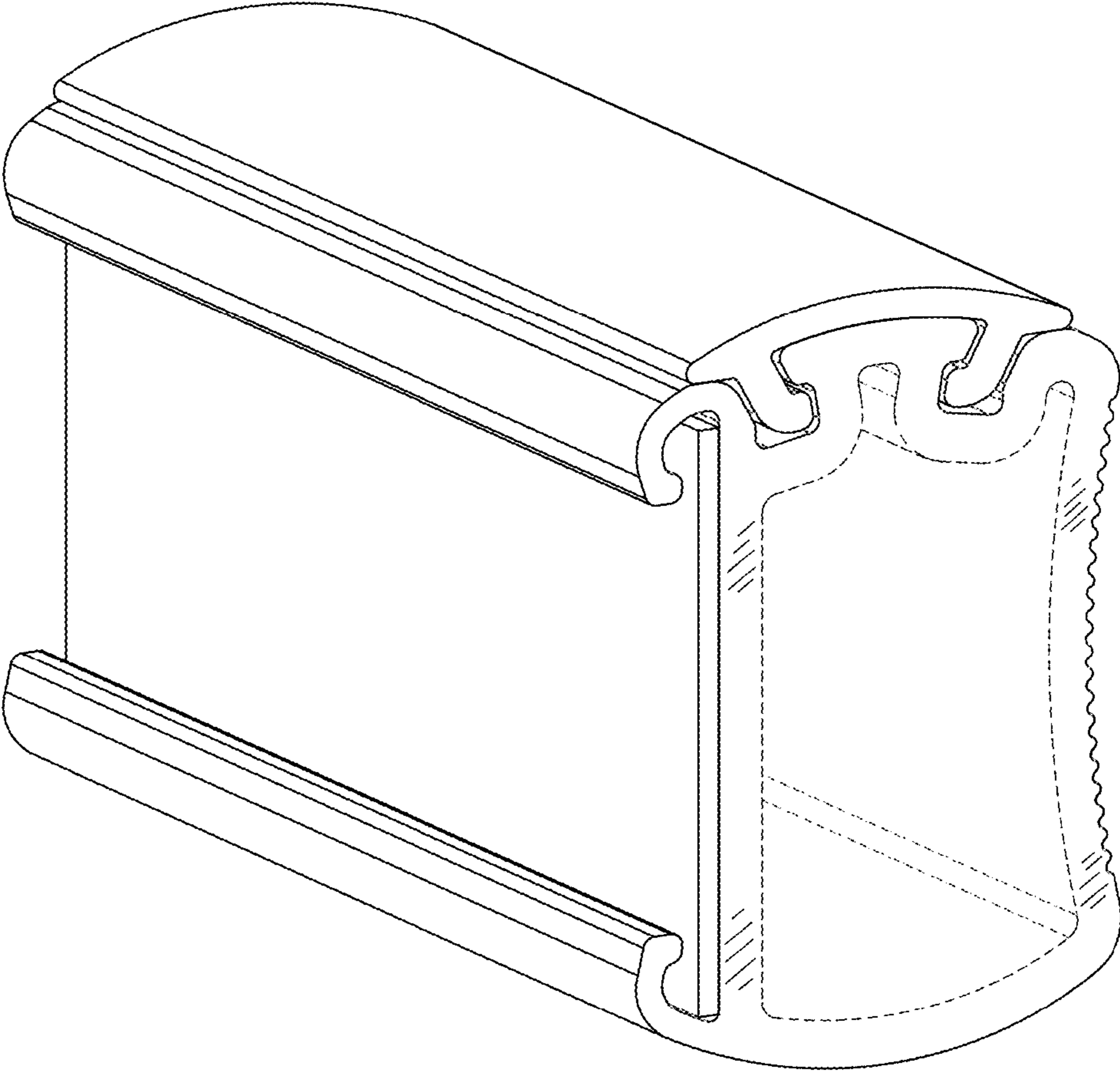


Fig. 7

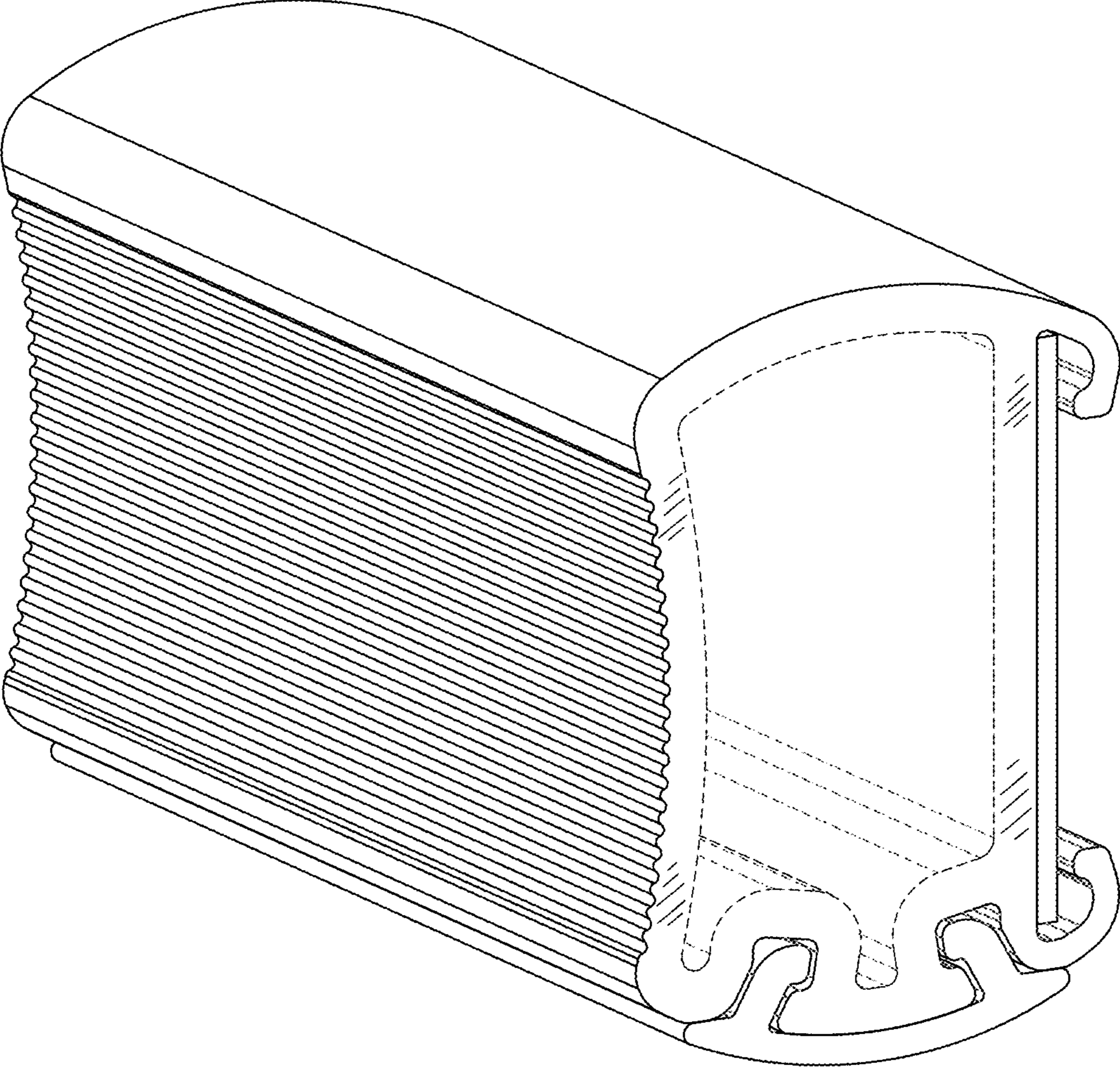


Fig. 8