

US00D769029S

(12) **United States Design Patent** (10) **Patent No.:** **US D769,029 S**
Okwumabua (45) **Date of Patent:** **** Oct. 18, 2016**

(54) **NECK PILLOW**
(71) Applicant: **Chinaedu Okwumabua**, Houston, TX (US)
(72) Inventor: **Chinaedu Okwumabua**, Houston, TX (US)
(**) Term: **14 Years**
(21) Appl. No.: **29/519,823**
(22) Filed: **Mar. 9, 2015**
(51) **LOC (10) Cl.** **06-09**
(52) **U.S. Cl.**
USPC **D6/601**
(58) **Field of Classification Search**
USPC D6/333, 349, 355, 375, 388, 512, 563, D6/564, 595, 596, 601, 604, 611, 707, 715, D6/716, 716.1; D24/183-185, 234; D21/803, 804, 805, 809; 5/401, 420, 5/600, 630, 631, 632, 633, 635, 636, 638, 5/639, 646, 652, 652.1, 655, 703, 730; 297/1, 2, 4, 93, 180.11, 195.1, 195.11, 297/195.13, 393, 397, 452.12, 452.14, 297/452.15, 452.21, 452.24, 452.26, 297/452.48, 452.62, 482
CPC A47G 9/10; A47G 9/1009; A47G 9/1018; A47G 9/1027; A47G 9/1036; A47G 9/1045; A47G 9/1063; A47G 9/1072; A47G 9/1081; A47G 9/109; A47C 7/21; A47C 27/00
See application file for complete search history.

D622,515 S * 8/2010 Nadeau D6/333
7,958,582 B1 * 6/2011 Scamardo A47C 7/383
297/392
D670,088 S * 11/2012 Wozniak D6/333
D673,410 S * 1/2013 O'Connell D6/601
D695,044 S * 12/2013 Gumbrecht D6/601
D700,786 S * 3/2014 Yeung D6/333
D701,063 S * 3/2014 Myers D6/601
D722,449 S * 2/2015 Krishtul D6/601
D725,407 S * 3/2015 McCracken D6/601
8,973,188 B1 * 3/2015 Amini A61G 13/123
5/604
D727,645 S * 4/2015 Zink D6/333
D731,813 S * 6/2015 Durkin D6/601
D746,080 S * 12/2015 Mittelstadt D6/601
D754,990 S * 5/2016 Velasquez D6/601
D758,085 S * 6/2016 Baron D6/333
2013/0232693 A1 * 9/2013 Myers A47C 7/383
5/636

* cited by examiner

Primary Examiner — Rosemary K Tarcza
Assistant Examiner — Sanjeev Paul
(74) *Attorney, Agent, or Firm* — Egbert Law Offices, PLLC

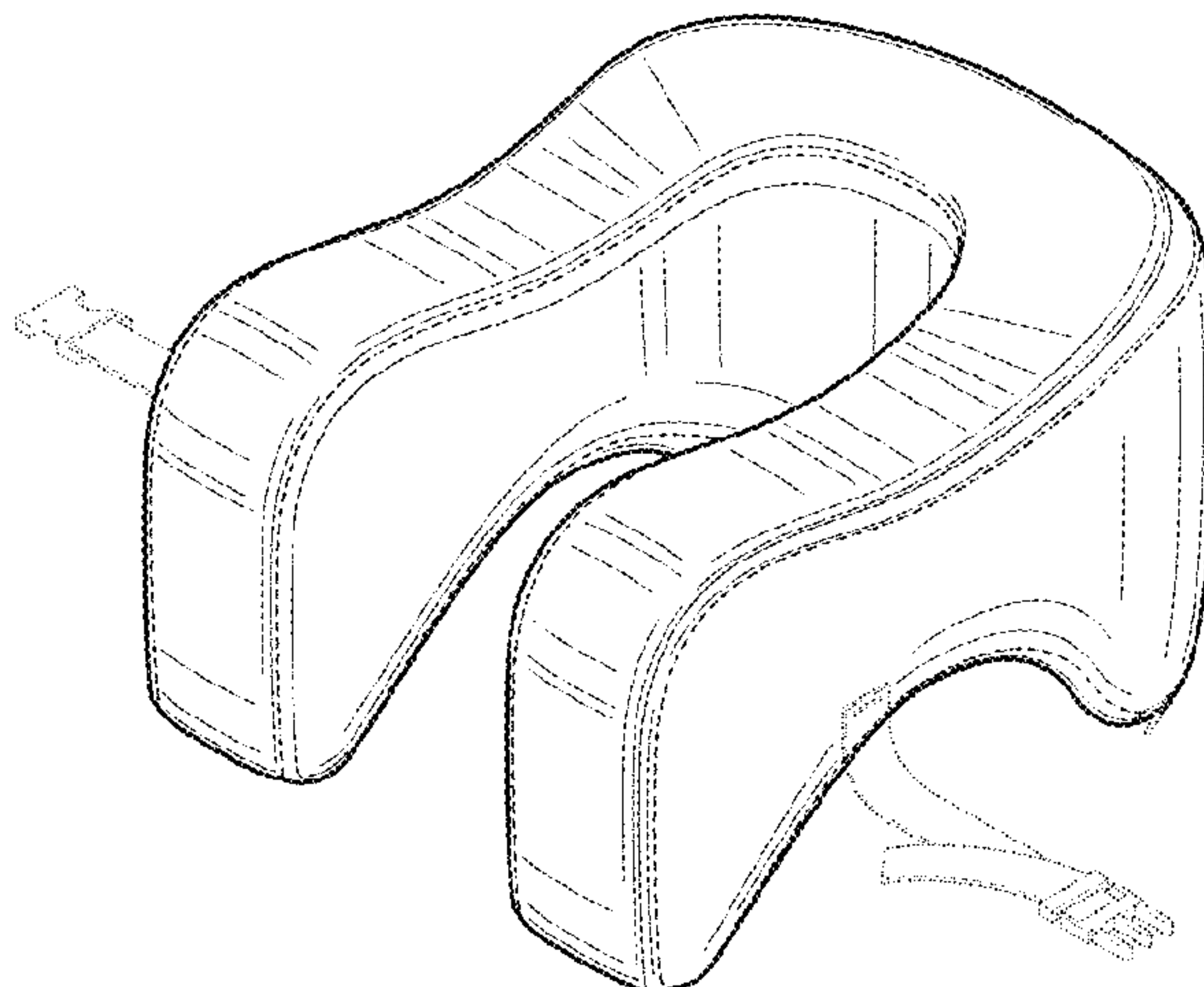
(57) **CLAIM**
The ornamental design for a neck pillow, as shown and described.

DESCRIPTION

FIG. 1 is a perspective view of a neck pillow showing my new design.
FIG. 2 is a top view thereof;
FIG. 3 is a bottom view thereof;
FIG. 4 is a front thereof;
FIG. 5 is a rear view thereof;
FIG. 6 is a side view thereof; and,
FIG. 7 is an opposite side view thereof.
The dotted broken lines are for the purpose of illustrating unclaimed portions of the neck pillow, and form no part of the claimed design. The dashed broken lines represent stitching, and form part of the claimed design.

1 Claim, 2 Drawing Sheets

(56) **References Cited**
U.S. PATENT DOCUMENTS
D247,312 S * 2/1978 Zeiss D24/215
D283,855 S * 5/1986 Kujawski D6/333
D321,562 S * 11/1991 Ljungvall 5/646
D461,646 S * 8/2002 Kain D6/333
D592,865 S * 5/2009 Yeung D6/333
D600,027 S * 9/2009 Martin D6/333
D614,901 S * 5/2010 Welch D6/601



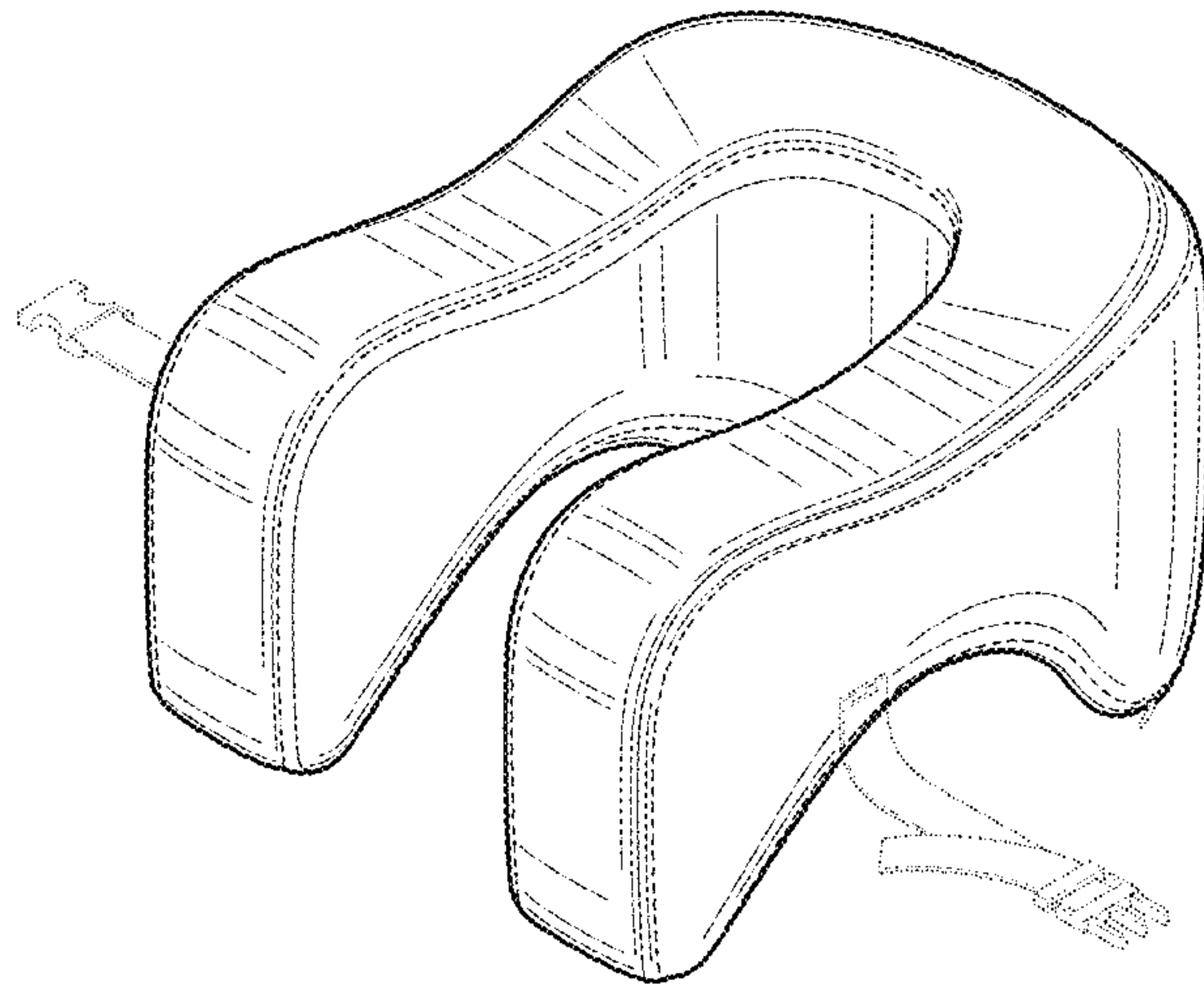


FIG. 1

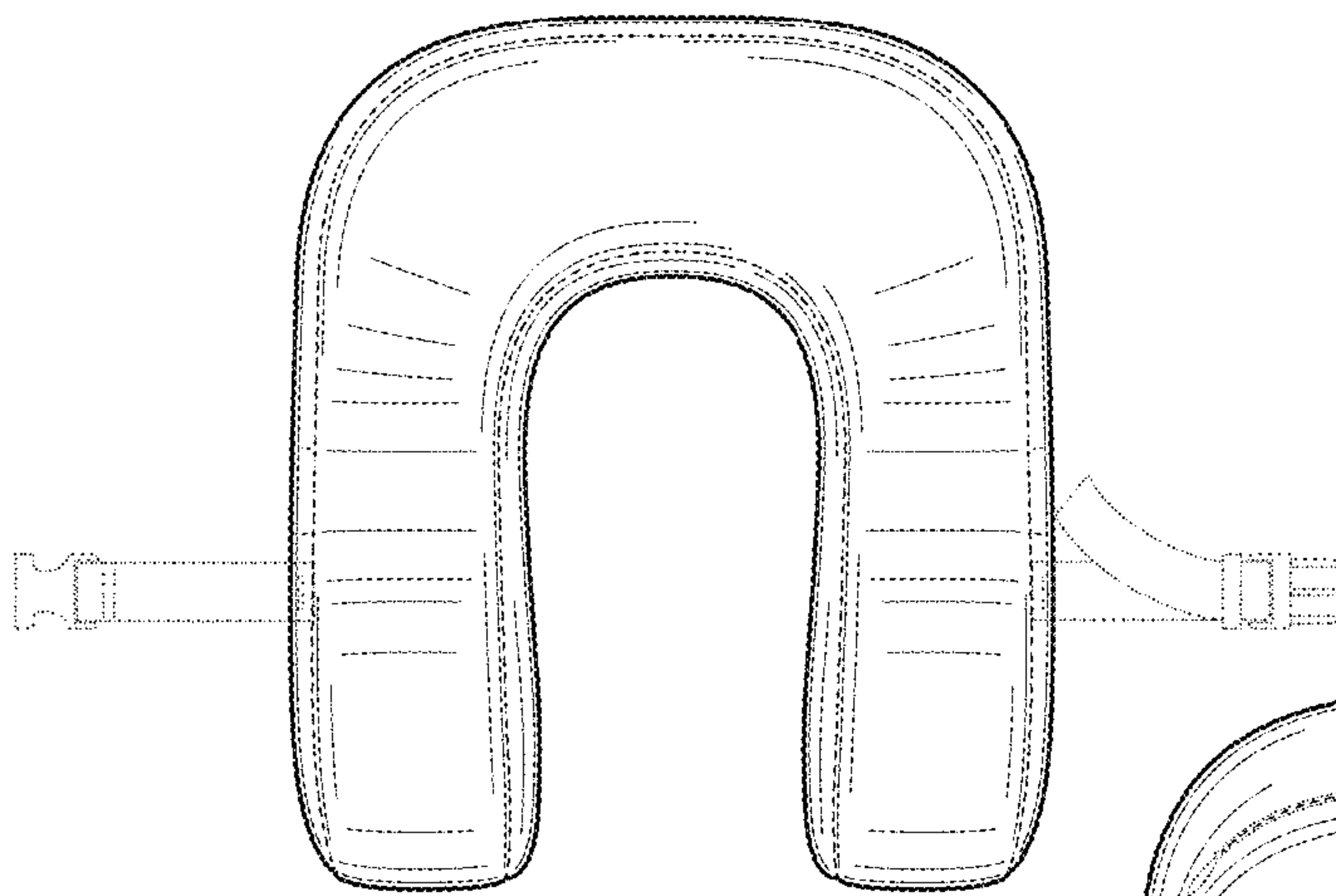


FIG. 2

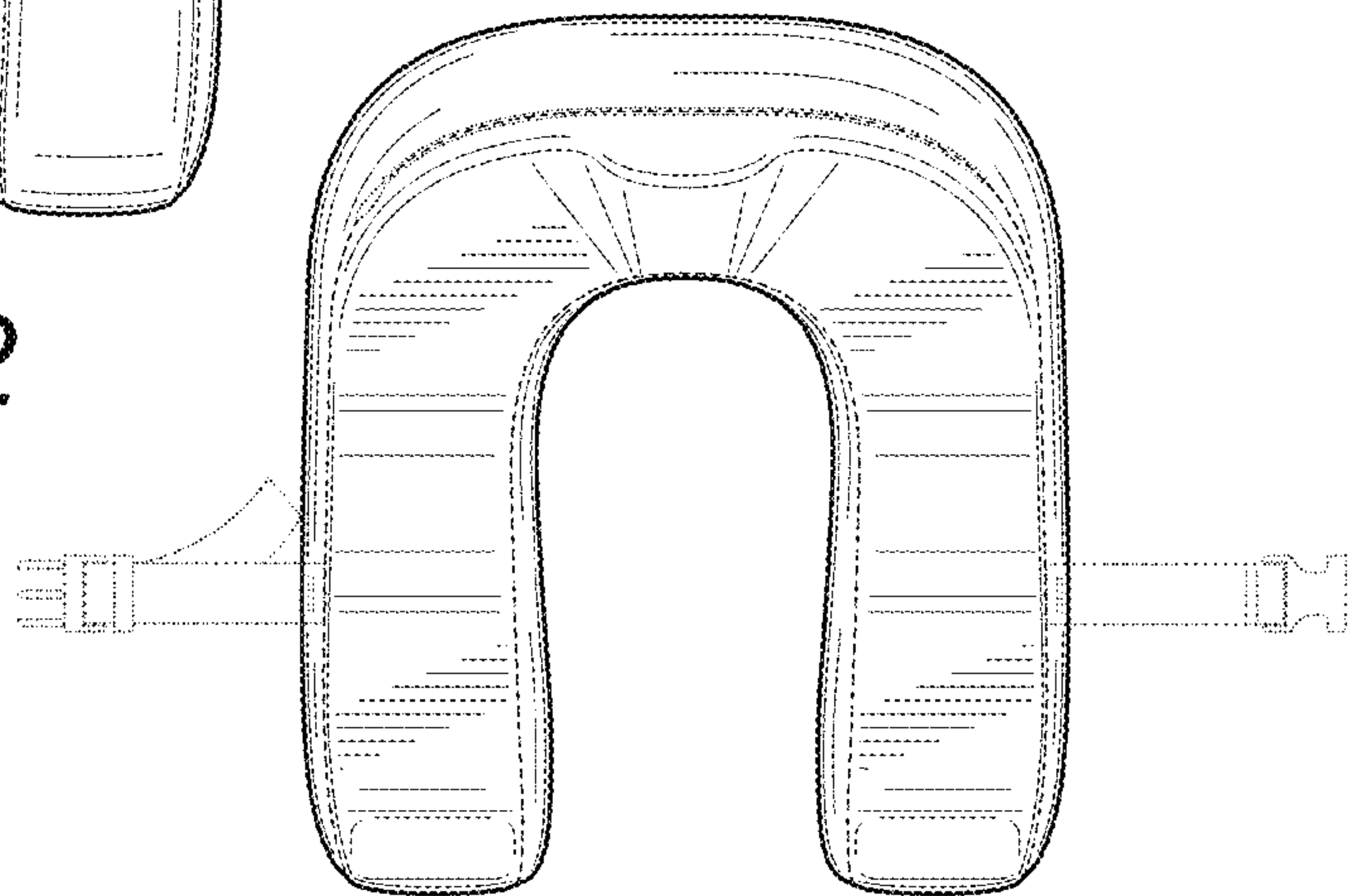


FIG. 3

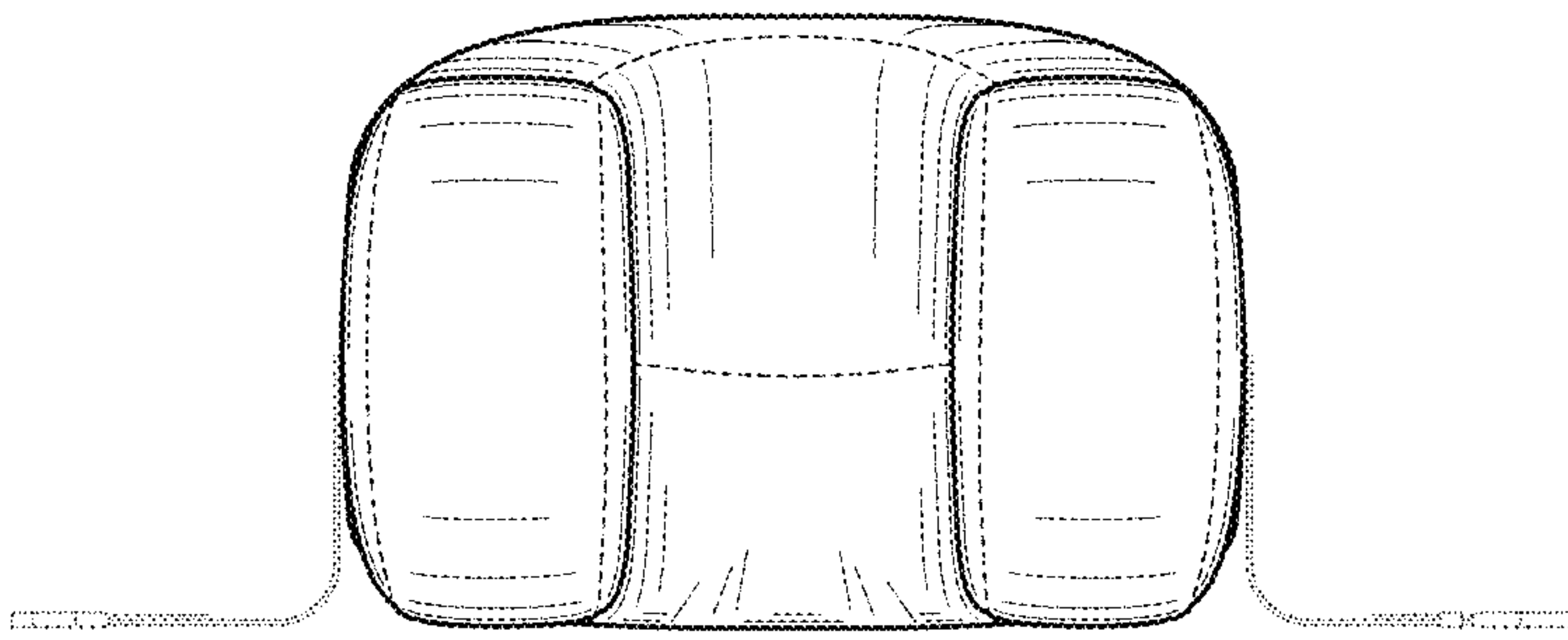


FIG. 4

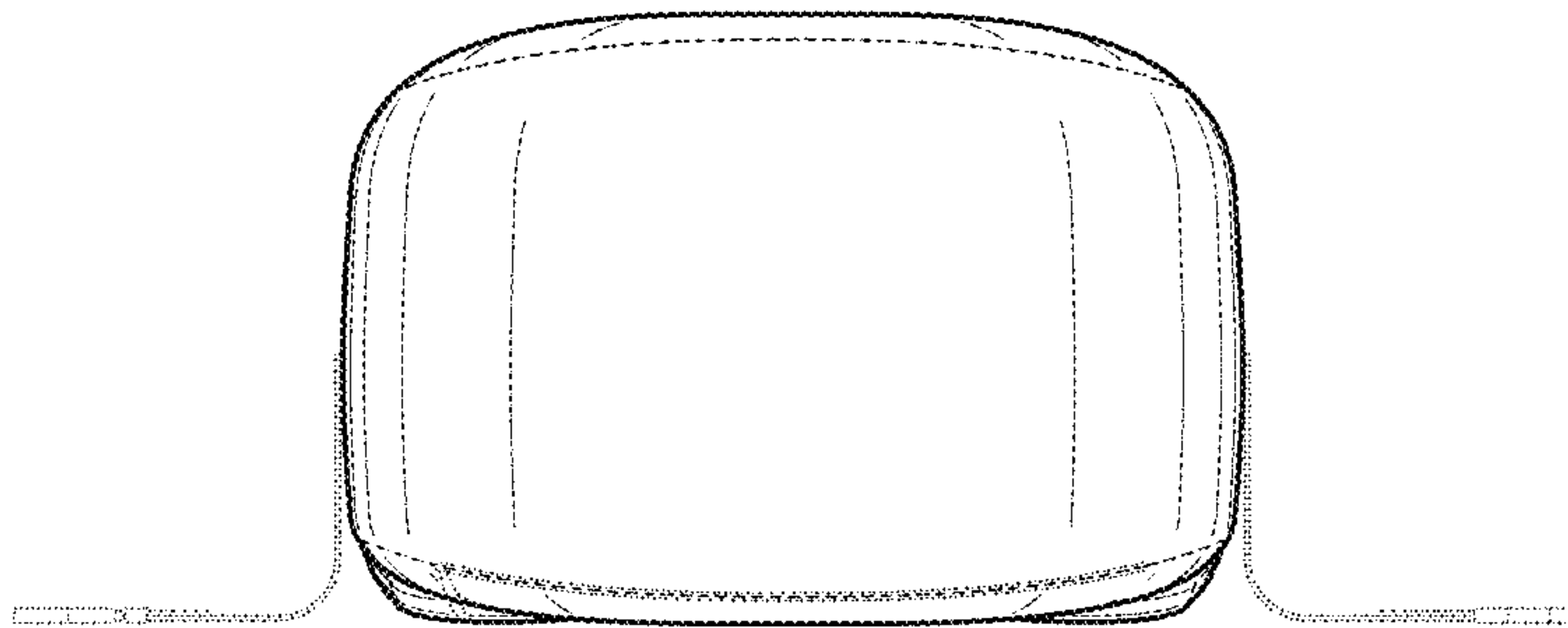


FIG. 5

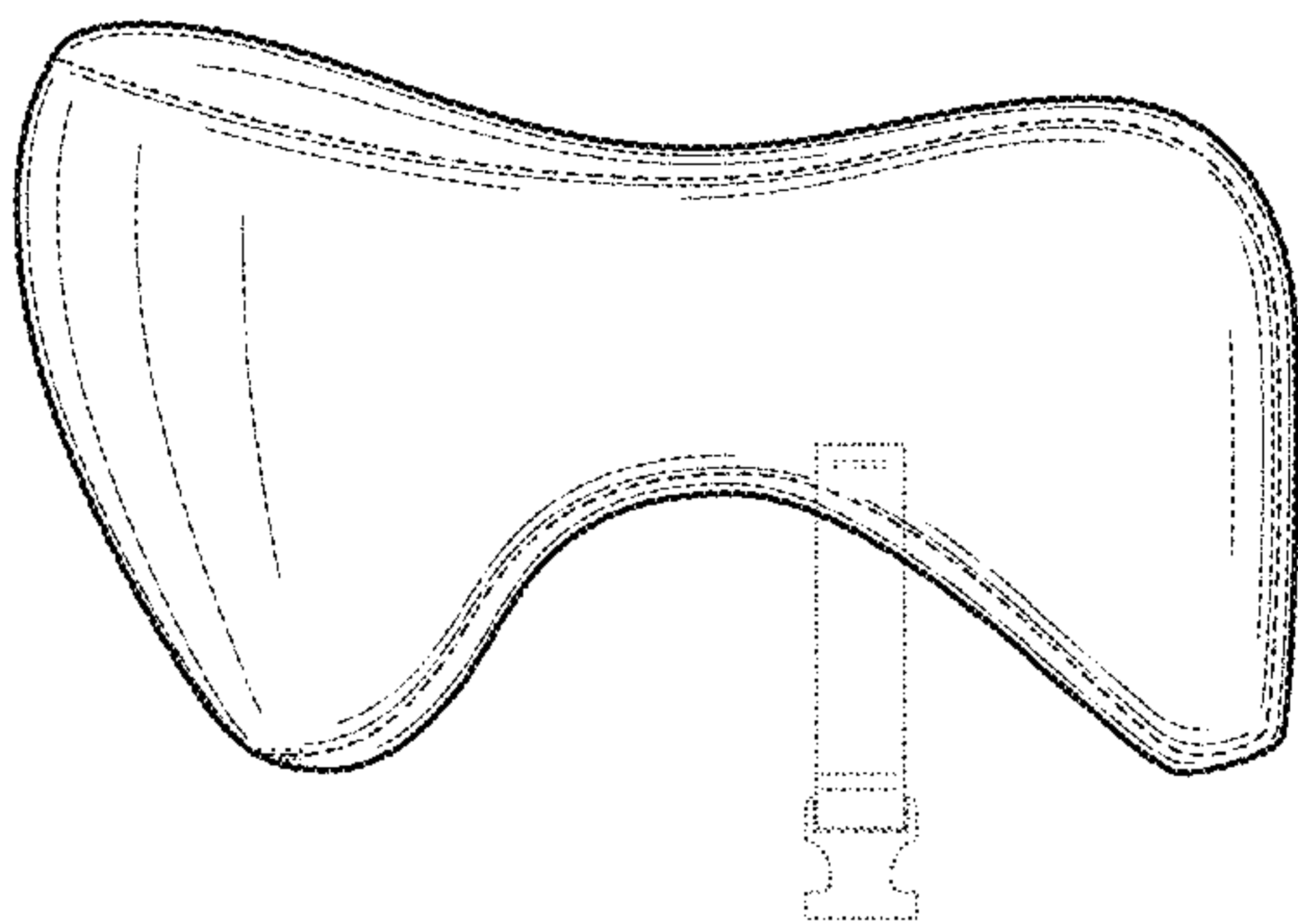


FIG. 6

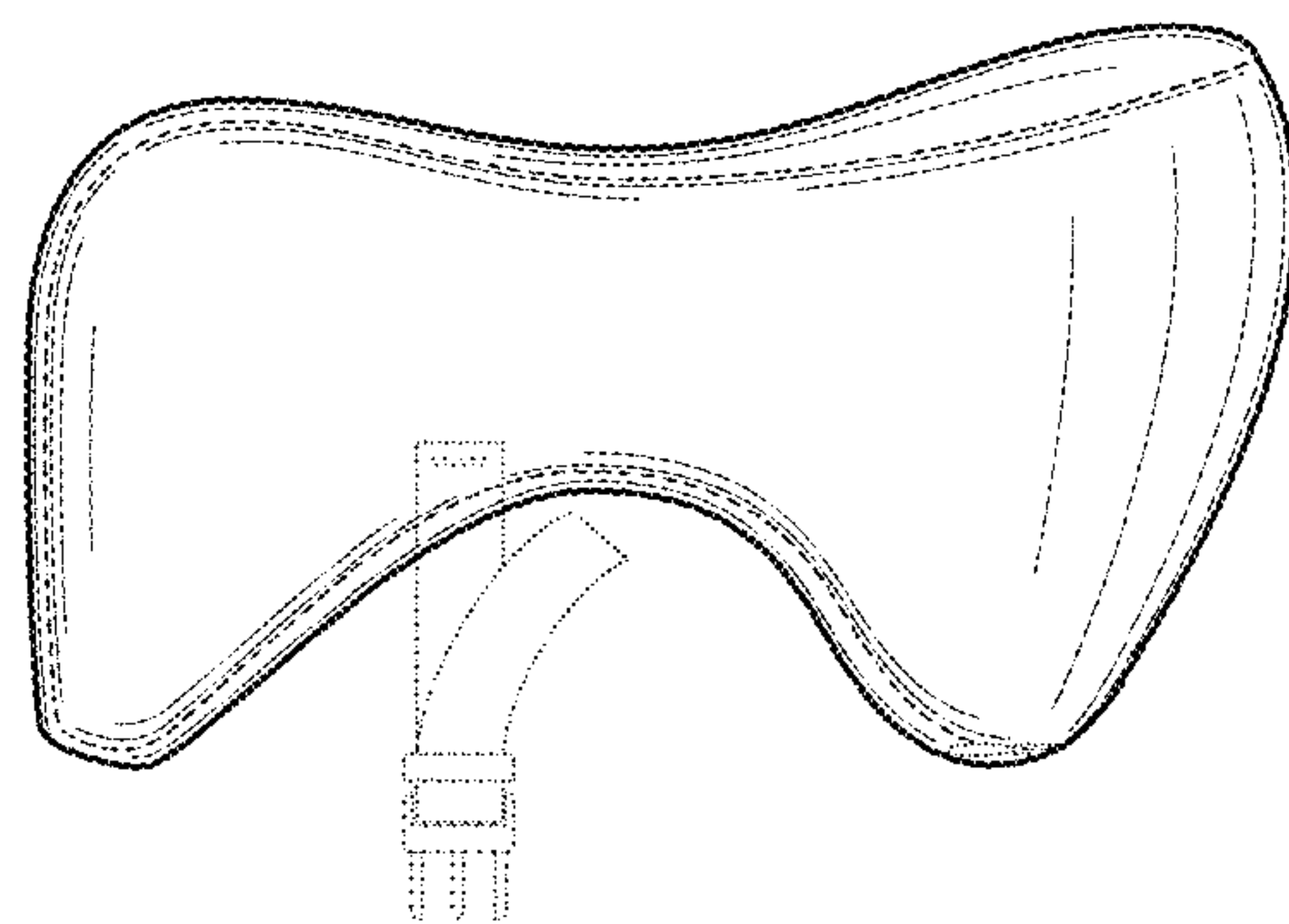


FIG. 7