

US00D769028S

(12) **United States Design Patent**
Little

(10) **Patent No.:** **US D769,028 S**
(45) **Date of Patent:** **** Oct. 18, 2016**

- (54) **BACK SUPPORT**
- (71) Applicant: **Claire Little**, Cary, NC (US)
- (72) Inventor: **Claire Little**, Cary, NC (US)
- (**) Term: **14 Years**
- (21) Appl. No.: **29/519,170**
- (22) Filed: **Mar. 3, 2015**
- (51) **LOC (10) Cl.** **06-09**
- (52) **U.S. Cl.**
USPC **D6/601**
- (58) **Field of Classification Search**
USPC D6/333, 349, 355, 375, 388, 512, 563,
D6/564, 595, 596, 601, 604, 611, 707, 715,
D6/716, 716.1; D24/183-185, 234;
D21/803, 804, 805, 809; 5/401, 420,
5/600, 630, 631, 632, 633, 635, 636, 638,
5/639, 646, 652, 652.1, 655, 703, 730;
297/1, 2, 4, 93, 180.11, 195.1, 195.11,
297/195.13, 393, 397, 452.12, 452.14,
297/452.15, 452.21, 452.24, 452.26,
297/452.48, 452.62, 482
CPC A47G 9/10; A47G 9/1009; A47G 9/1018;
A47G 9/1027; A47G 9/1036; A47G 9/1045;
A47G 9/1063; A47G 9/1072; A47G 9/1081;
A47G 9/109; A47C 7/021; A47C 27/00
See application file for complete search history.

(56) **References Cited**

U.S. PATENT DOCUMENTS

2,756,809 A	7/1956	Endresen	
2,831,533 A	4/1958	Pasquarelli	
3,265,437 A	8/1966	Mincieli	
D230,117 S *	1/1974	Johnson	D6/596
4,190,918 A *	3/1980	Harvell	A47C 4/52 190/1
D258,187 S *	2/1981	Robbins	D6/596
D258,482 S *	3/1981	Strock	5/653
4,671,393 A *	6/1987	Rainey	A45C 3/10 190/1
4,718,724 A	1/1988	Quinton et al.	
4,723,300 A *	2/1988	Aranow	A45C 7/00 190/1

D295,476 S *	5/1988	Halpain	D6/333
4,802,249 A *	2/1989	Bills	A47C 20/021 5/420
4,834,455 A	5/1989	Proctor	
4,835,801 A	6/1989	Walpin et al.	
4,843,662 A *	7/1989	Handelman	A47C 7/021 297/183.5
4,854,637 A	8/1989	McCree	
D310,312 S	9/1990	Wong et al.	
5,048,975 A *	9/1991	Holbrook	A45F 4/02 190/2
D329,148 S *	9/1992	Hwang	D6/368
D332,546 S *	1/1993	Waltner	5/653
D341,053 S	11/1993	Hassel et al.	
D354,876 S	1/1995	Pace	
D359,192 S	6/1995	Franklin	
D366,383 S *	1/1996	Briegleb	D6/601
D366,800 S *	2/1996	Moore, Jr.	D6/596
D369,666 S *	5/1996	Lucero	D24/183

(Continued)

Primary Examiner — Rosemary K Tarcza
Assistant Examiner — Sanjeev Paul

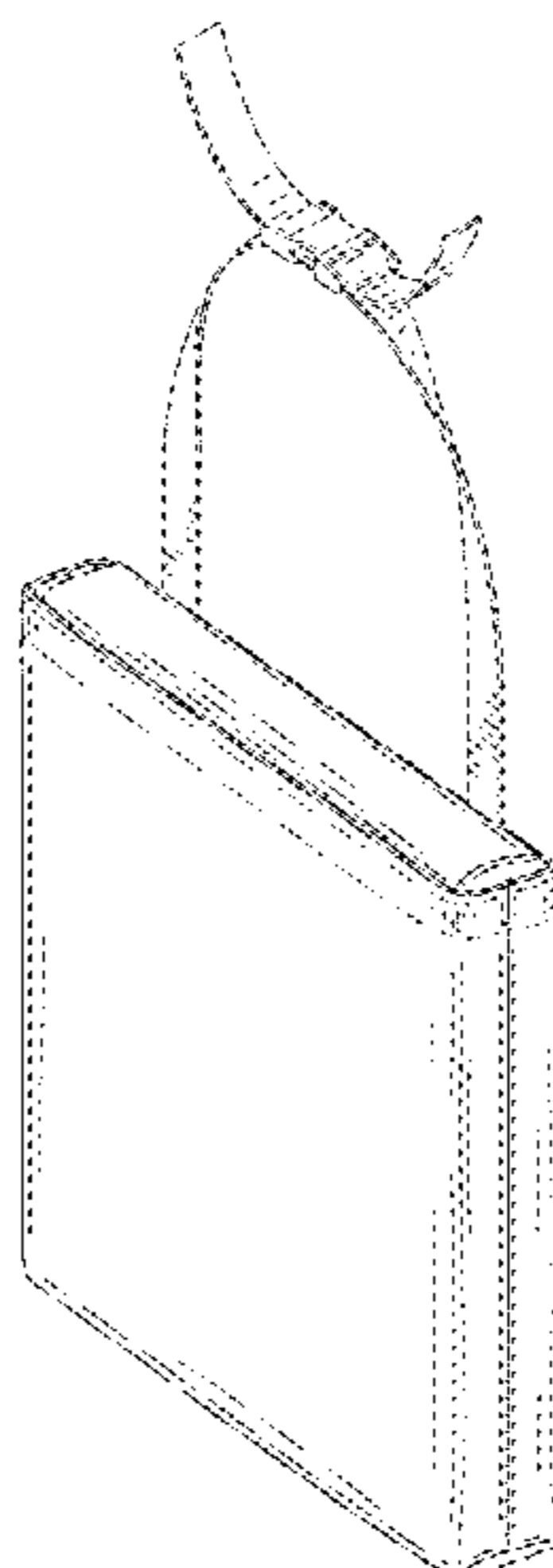
(57) **CLAIM**

The ornamental design for a back support, as shown and described.

DESCRIPTION

FIG. 1 shows a perspective view of a back support.
 FIG. 2 shows a front elevation view thereof.
 FIG. 3 shows a rear elevation view thereof.
 FIG. 4 shows a right side elevation view thereof.
 FIG. 5 shows a left side elevation view thereof.
 FIG. 6 shows a top elevation view thereof.
 FIG. 7 shows a bottom elevation view thereof.
 FIG. 8 shows a perspective view a back support in use; and,
 FIG. 9 shows a perspective view thereof in an alternate position.
 The two rows of broken lines shown around the upper perimeter of the back support in all views illustrate claimed stitching. In FIG. 8, the broken lines illustrating the car seat represent an environmental feature and do not form a part of the claim.

1 Claim, 7 Drawing Sheets



(56)

References Cited

U.S. PATENT DOCUMENTS

5,533,787 A 7/1996 Xiang
 D373,278 S * 9/1996 Chow D6/601
 D376,287 S * 12/1996 Bennett D6/595
 D378,259 S 3/1997 Bonaddio et al.
 D383,027 S 9/1997 Riedell
 D397,269 S * 8/1998 Kawamoto D21/662
 D404,955 S * 2/1999 Buonocore D6/596
 D413,037 S * 8/1999 Bellington D6/595
 D416,718 S * 11/1999 Chatman D6/601
 6,079,784 A 6/2000 Peachey
 6,321,401 B1 * 11/2001 Fleming A47C 27/001
 5/420
 D456,198 S * 4/2002 Ferguson D6/601
 D466,353 S * 12/2002 Marks D6/601
 D468,573 S * 1/2003 Friend D6/601
 D484,350 S * 12/2003 Miller D6/368
 D508,181 S * 8/2005 Welch D6/592
 6,955,399 B2 10/2005 Hong
 D586,168 S 2/2009 Smith
 D591,996 S * 5/2009 Green D6/601
 D602,298 S * 10/2009 Zwanzgleitner D6/601
 D604,084 S * 11/2009 Gokhale D6/601
 D615,793 S * 5/2010 Hain D6/601

D621,944 S * 8/2010 Astin D24/200
 D624,343 S * 9/2010 Long D6/601
 D637,438 S * 5/2011 Long D6/601
 D643,125 S * 8/2011 Seidel D24/184
 D648,167 S * 11/2011 Colon D6/601
 D670,941 S 11/2012 Vernon
 D677,506 S * 3/2013 Lai D6/601
 8,596,717 B2 12/2013 Glyck
 D699,482 S 2/2014 Kearns
 D713,172 S * 9/2014 Tobin D6/601
 D713,175 S * 9/2014 Roberts D6/601
 D717,503 S * 11/2014 Diskin D30/118
 D725,925 S * 4/2015 Kaye D6/349
 D728,269 S * 5/2015 Brown D6/596
 D734,962 S * 7/2015 Kale D6/611
 D737,073 S * 8/2015 Hawkins D6/601
 2005/0101888 A1 5/2005 West
 2008/0150336 A1 6/2008 Farotto
 2008/0315644 A1 12/2008 Briscoe
 2010/0301650 A1 12/2010 Hong
 2012/0280545 A1 11/2012 Vernon
 2016/0000226 A1 * 1/2016 Sanza Pilas A47C 4/52
 297/4
 2016/0100689 A1 * 4/2016 Wang A47C 7/021
 5/653

* cited by examiner

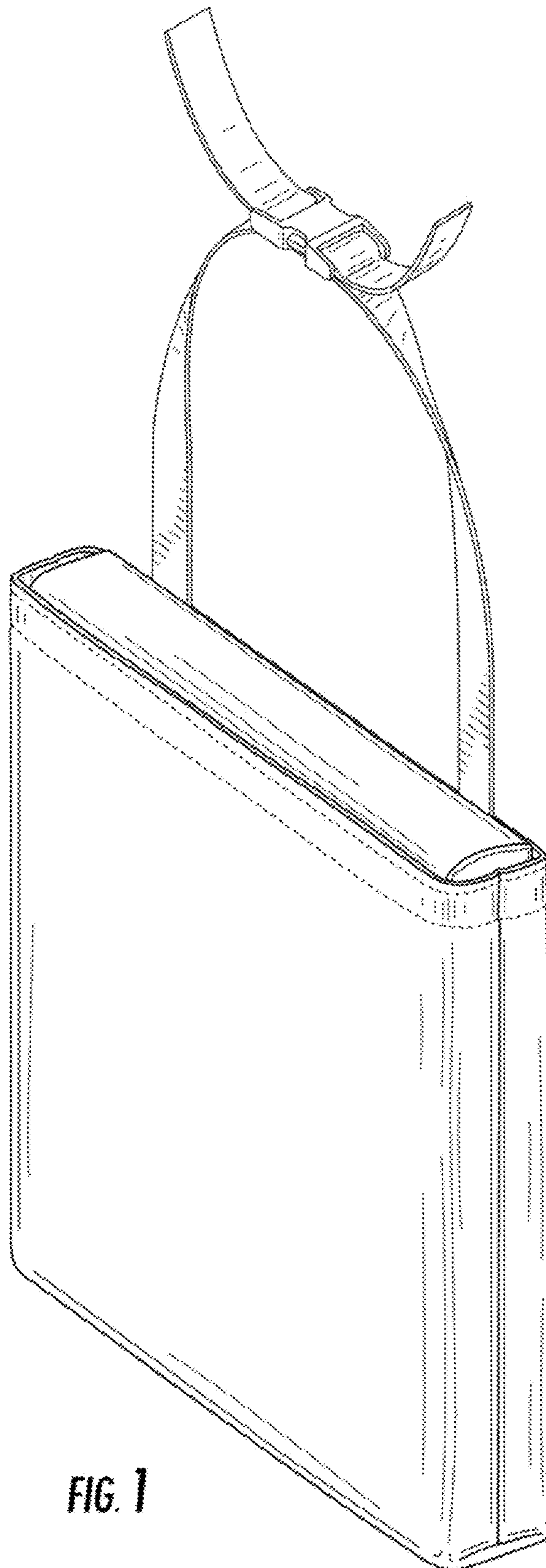


FIG. 1

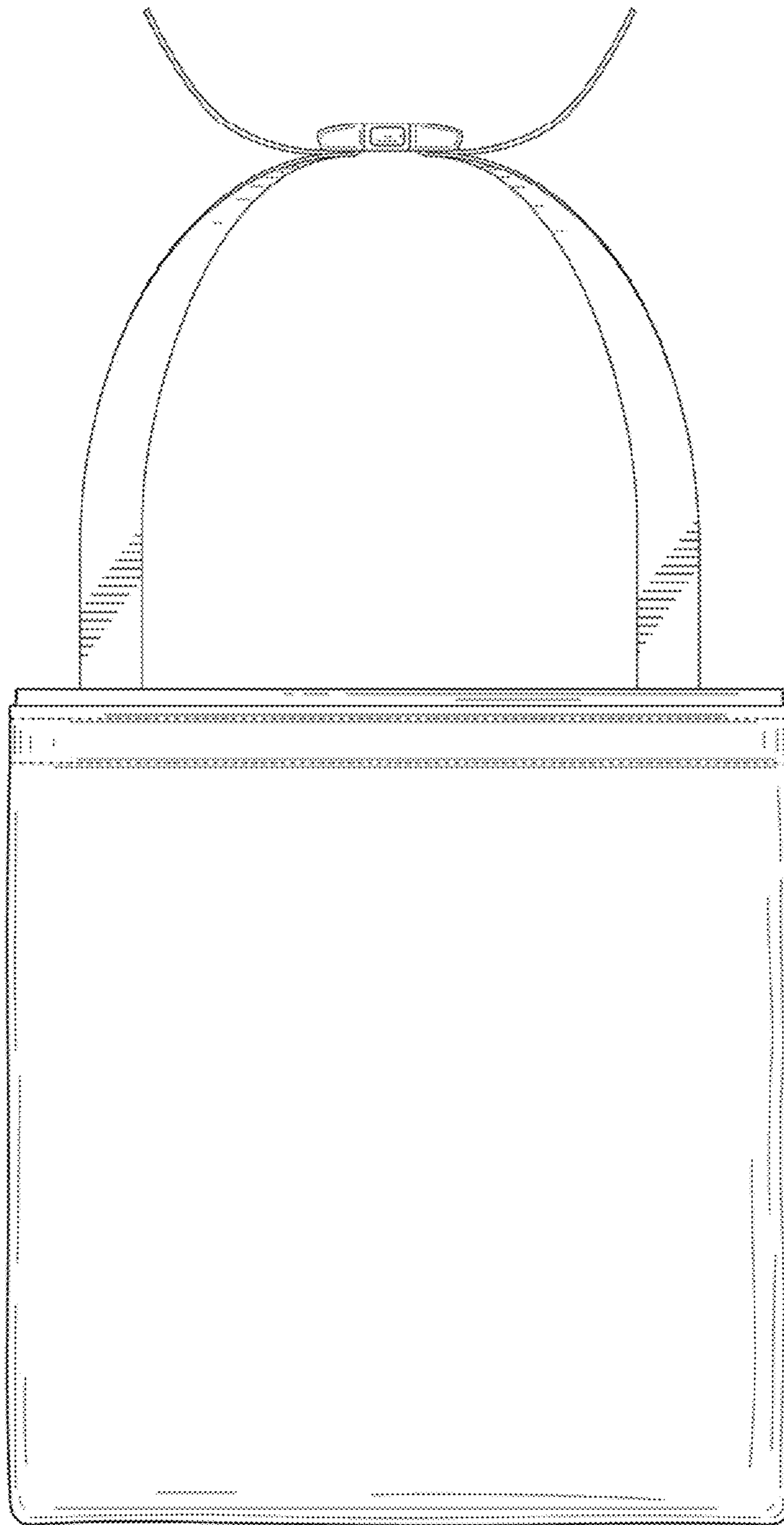


FIG. 2

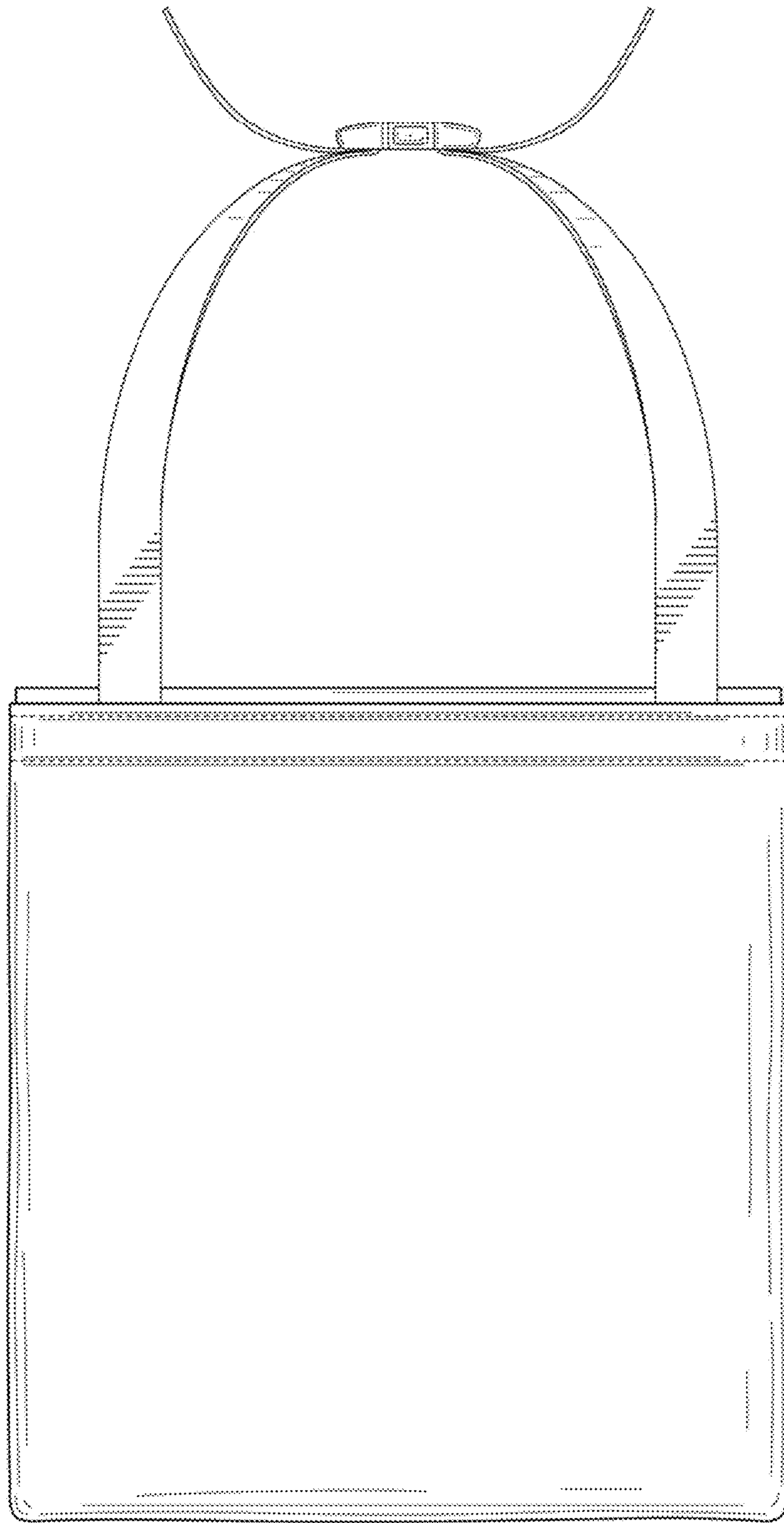


FIG. 3

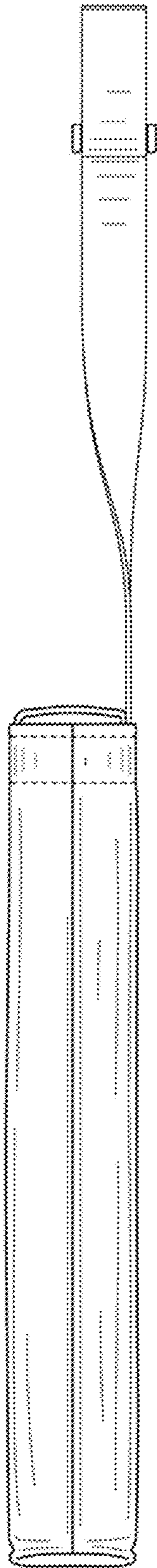


FIG. 4

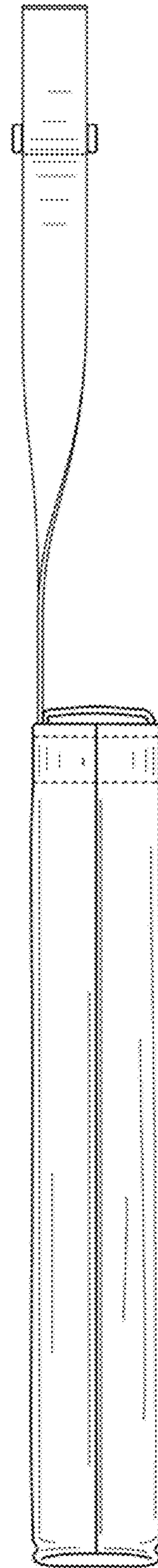


FIG. 5

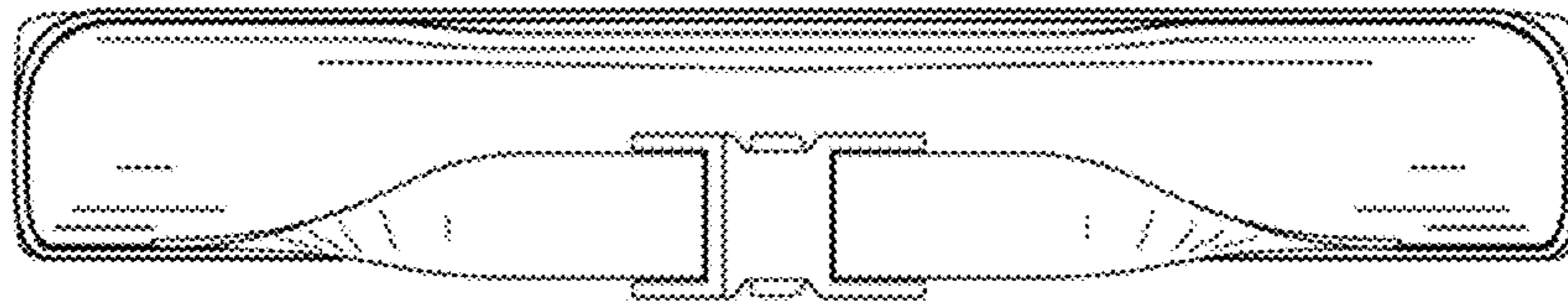


FIG. 6

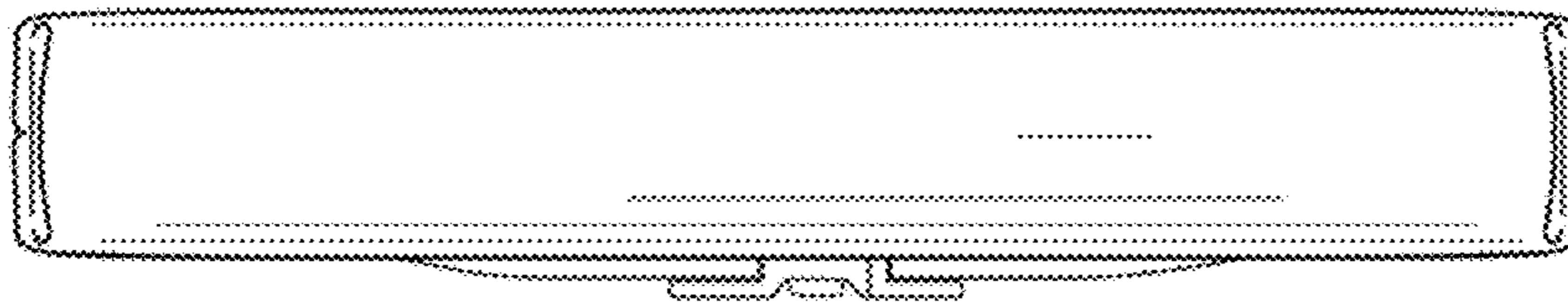


FIG. 7

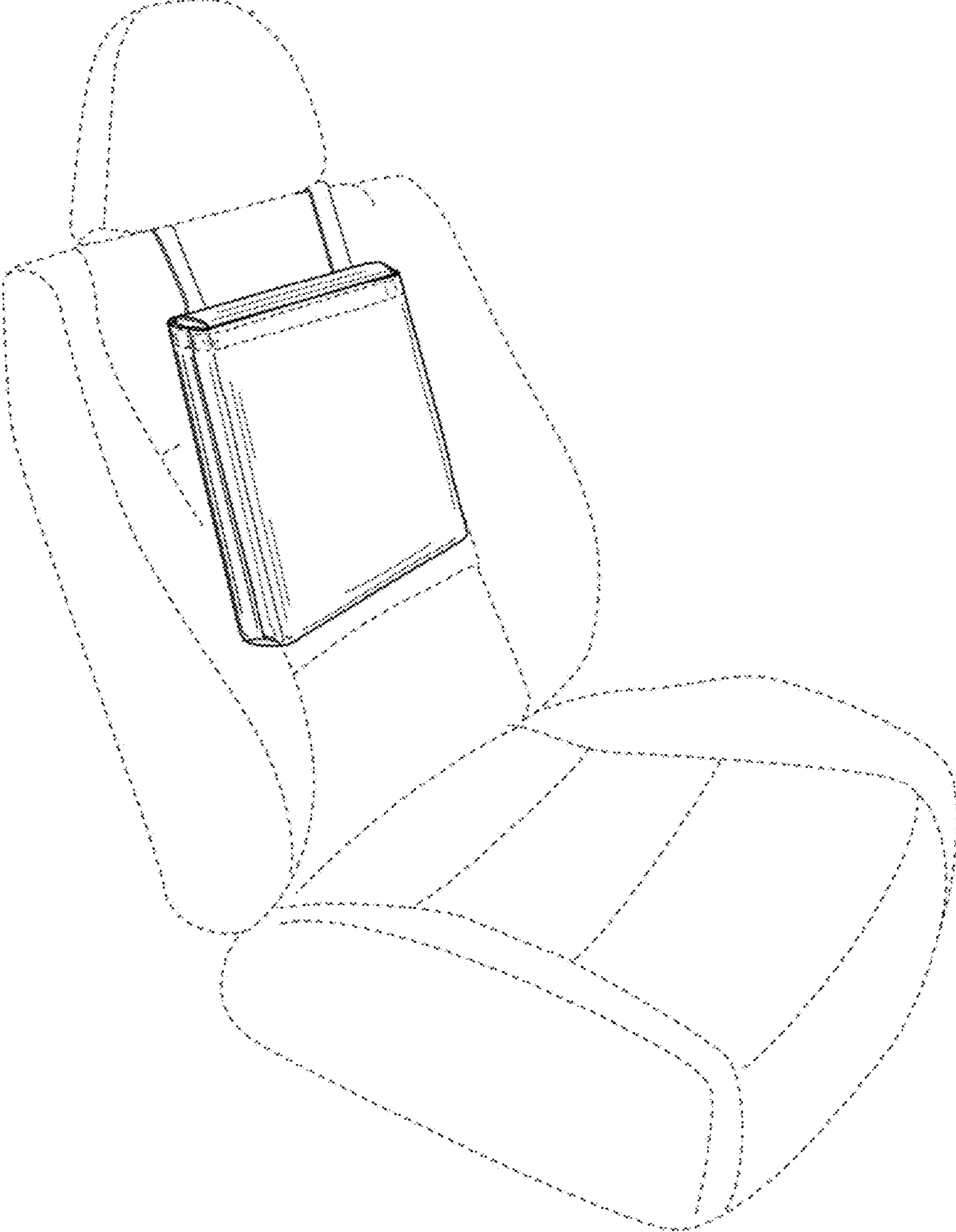


FIG. 8

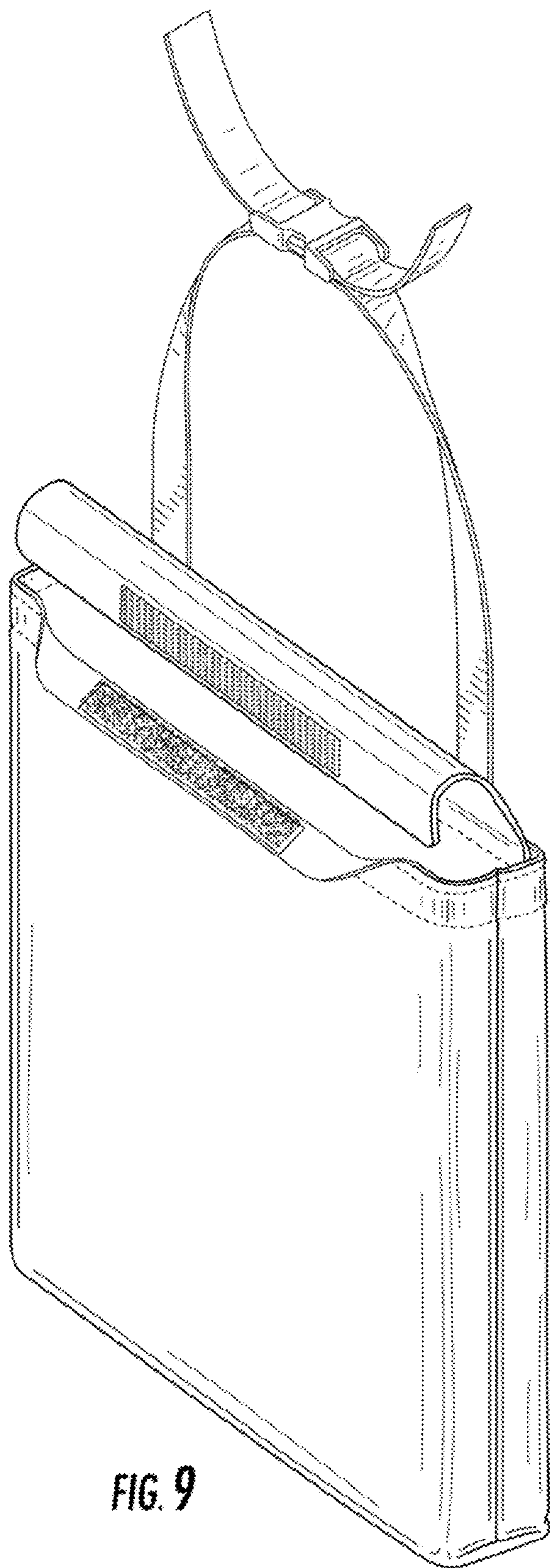


FIG. 9