



US00D769018S

(12) **United States Design Patent** (10) **Patent No.:** **US D769,018 S**  
**Yedikian** (45) **Date of Patent:** **\*\* Oct. 18, 2016**

(54) **LUG CONNECTOR RECEPTACLE**  
(71) Applicant: **Viken Yedikian**, Rancho Palos Verdes, CA (US)  
(72) Inventor: **Viken Yedikian**, Rancho Palos Verdes, CA (US)  
(\*\*) Term: **15 Years**

D614,427 S 4/2010 Nejad  
D618,675 S \* 6/2010 Thompson ..... D14/251  
D642,841 S \* 8/2011 Dretzka ..... D6/553  
D727,654 S \* 4/2015 Tollasepp ..... D6/553  
2015/0173413 A1 6/2015 Wells et al.  
2015/0246441 A1\* 9/2015 Huang ..... B25H 1/0071  
206/557  
2016/0068333 A1\* 3/2016 Yedikian ..... B25H 3/04  
220/608

(21) Appl. No.: **29/532,663**  
(22) Filed: **Jul. 9, 2015**  
(51) **LOC (10) Cl.** ..... **06-04**  
(52) **U.S. Cl.**  
USPC ..... **D6/533**  
(58) **Field of Classification Search**  
USPC ..... D6/553; D7/601; 108/44; 220/483;  
224/547, 553, 562, 564; 248/145,  
248/202.1, 206.5, 292.12, 309.4;  
301/35.623  
CPC ..... B25H 1/0071; B25H 3/06; B25H 3/00;  
B25H 3/003; B25H 5/00; B25H 1/0021;  
B25H 1/12; B25H 1/18; B25H 3/04; B25H  
1/0007; E01F 9/0118; B60N 3/002; B60N  
3/001; B60R 11/06; B65D 2313/04  
See application file for complete search history.

**OTHER PUBLICATIONS**

Magnetic Tray, Dailymag Magnetics, <http://www.cndailymag.com/magnetic-tray.htm>, downloaded Aug. 7, 2014.  
ESPCO Magnetic Bowl, [http://www.espcoweb.com.tw/index.php?main\\_page=index&cPath=23\\_53](http://www.espcoweb.com.tw/index.php?main_page=index&cPath=23_53), downloaded Aug. 7, 2014.

\* cited by examiner

*Primary Examiner* — Wan Laymon  
*Assistant Examiner* — Mark Booker  
(74) *Attorney, Agent, or Firm* — Henricks, Slavin & Holmes LLP

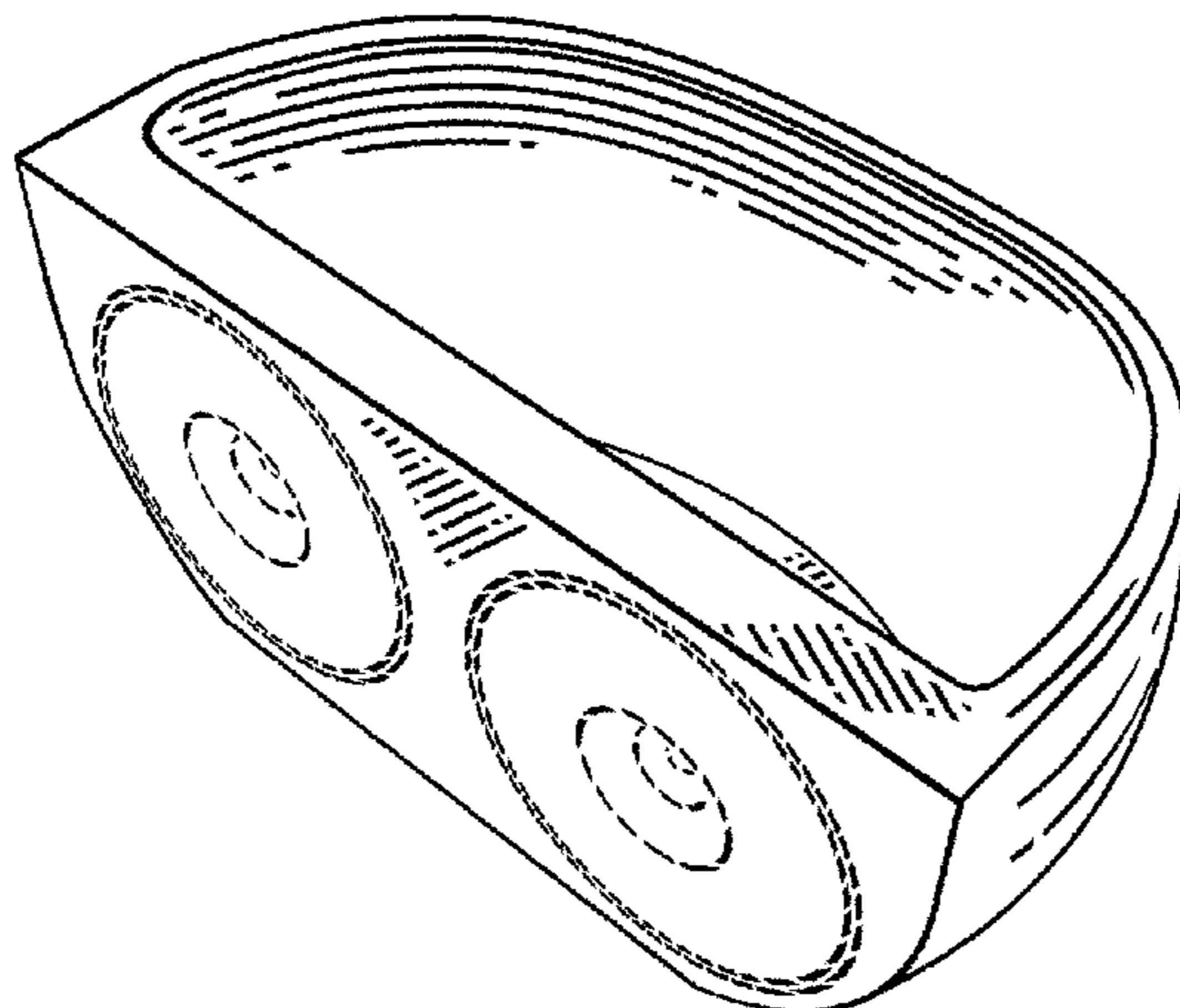
(57) **CLAIM**  
The ornamental design for a lug connector receptacle, as shown and described.

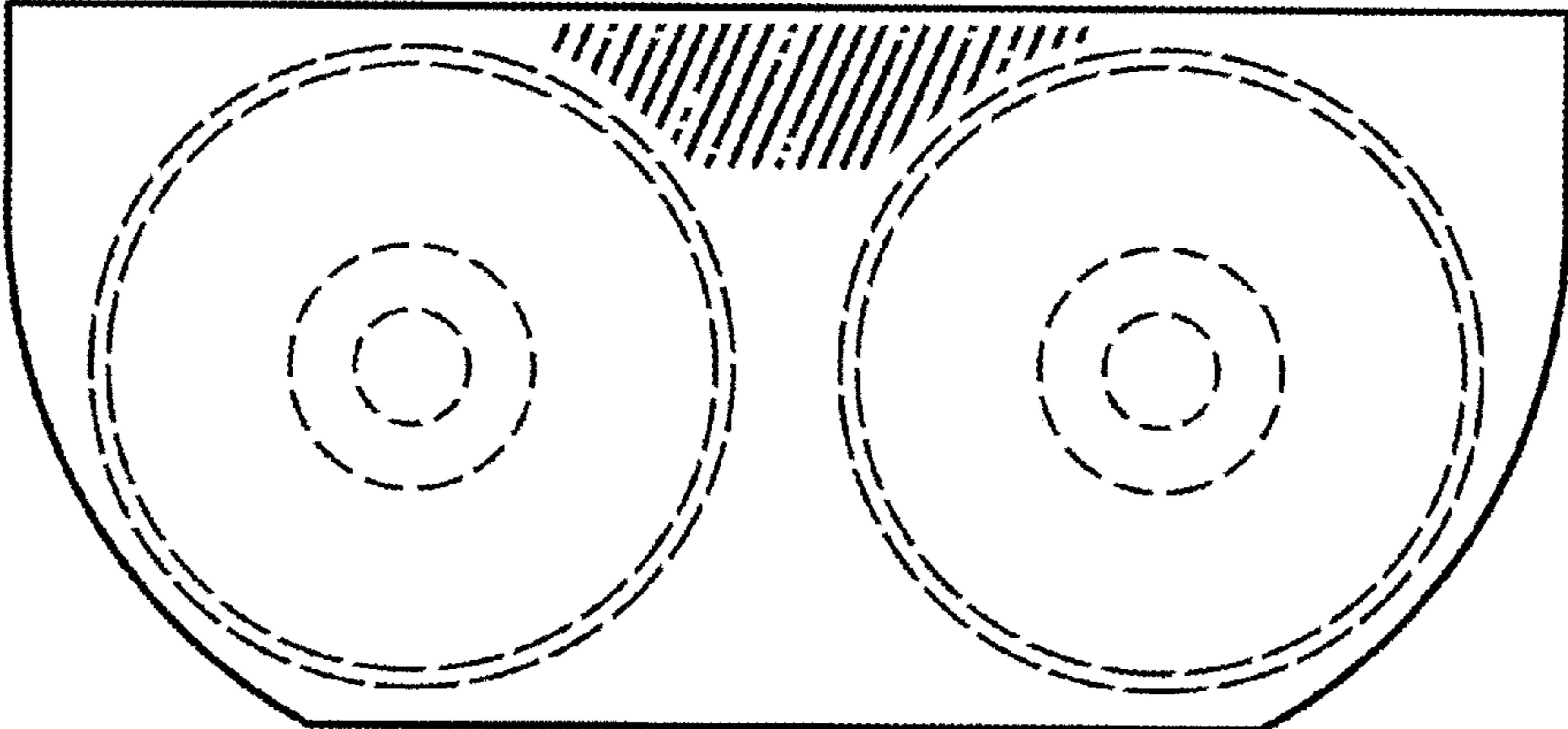
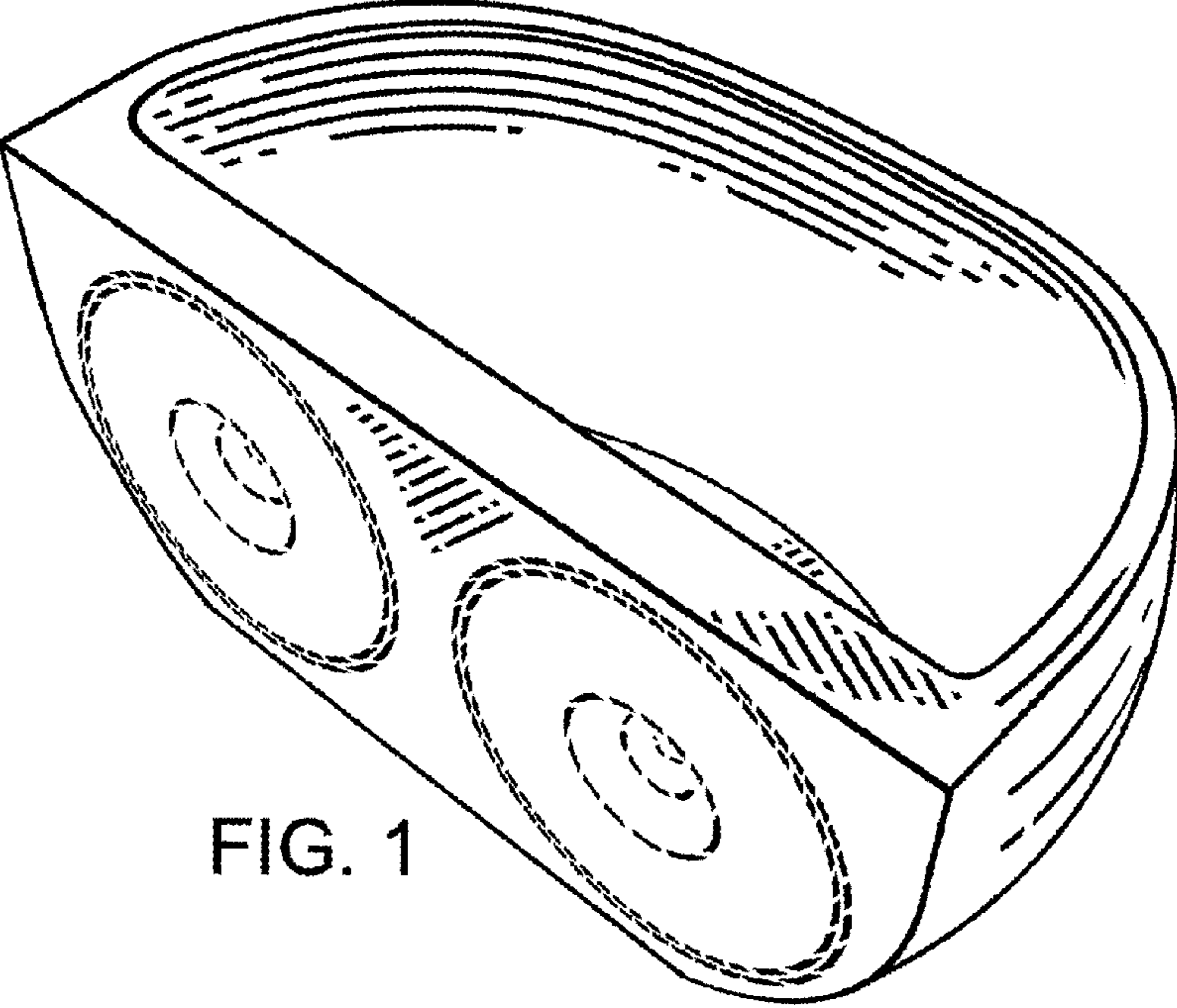
**DESCRIPTION**

FIG. 1 is a top rear isometric view of a lug connector receptacle showing the new design.  
FIG. 2 is a rear view thereof;  
FIG. 3 is a front view thereof;  
FIG. 4 is a right side view thereof, and the left side view is identical;  
FIG. 5 is a top view thereof;  
FIG. 6 is a bottom view thereof; and,  
FIG. 7 is a top front isometric view thereof.  
The broken line showing of magnet assemblies is for the purpose of illustrating portions of the article and forms no part of the claimed design.

(56) **References Cited**  
U.S. PATENT DOCUMENTS  
5,078,281 A 1/1992 Johnson  
5,490,607 A \* 2/1996 Hsieh ..... A47G 21/14  
206/372  
5,699,910 A \* 12/1997 Kubat ..... B25H 5/00  
206/373  
6,041,717 A 3/2000 Kubat  
6,082,573 A \* 7/2000 Hofman ..... A47K 3/281  
220/480  
6,467,744 B1 10/2002 Calin  
D563,136 S \* 3/2008 Kramer ..... D6/553  
7,445,185 B1 \* 11/2008 Cicero ..... A47K 3/281  
211/16

**1 Claim, 4 Drawing Sheets**





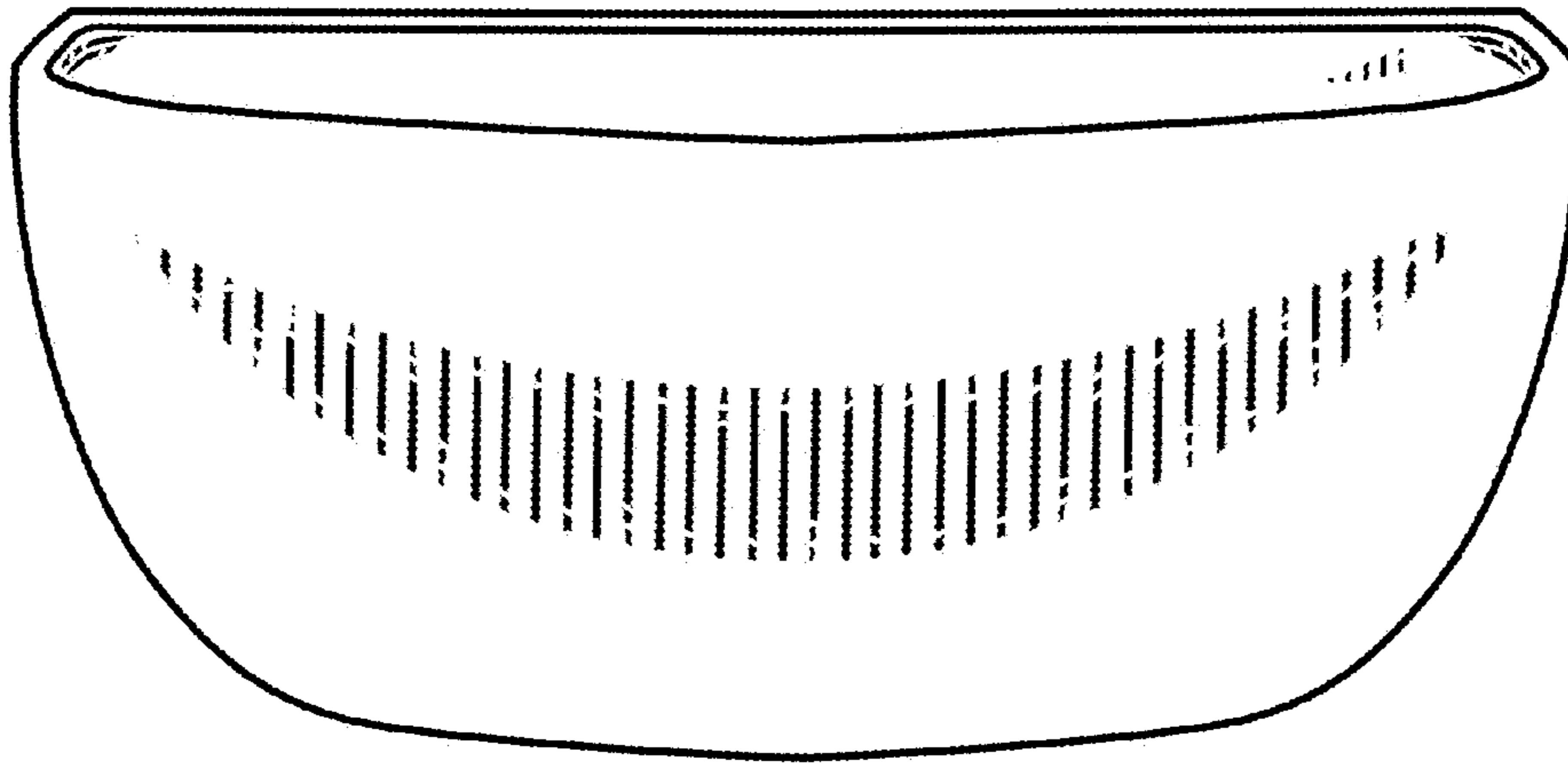


FIG. 3

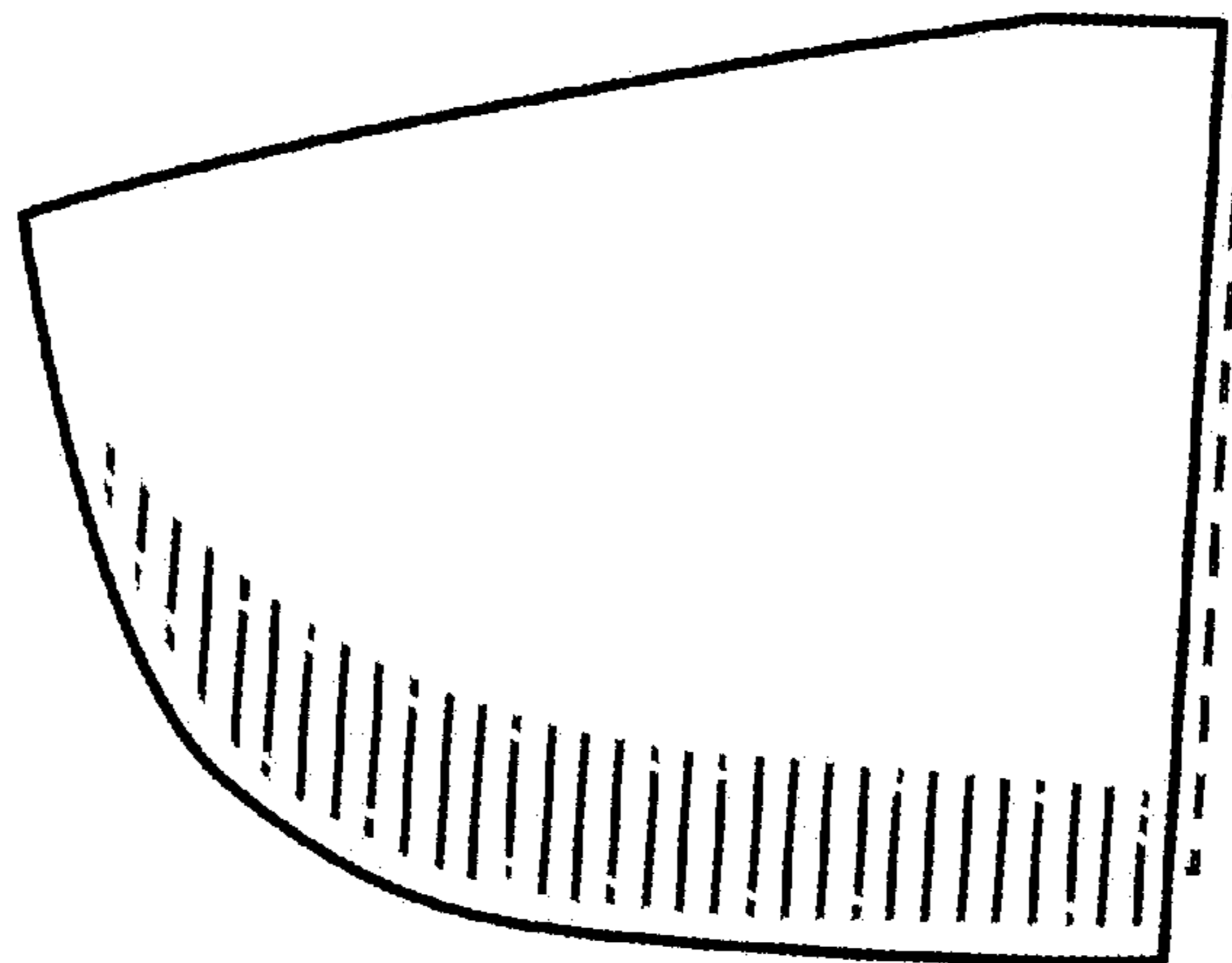


FIG. 4

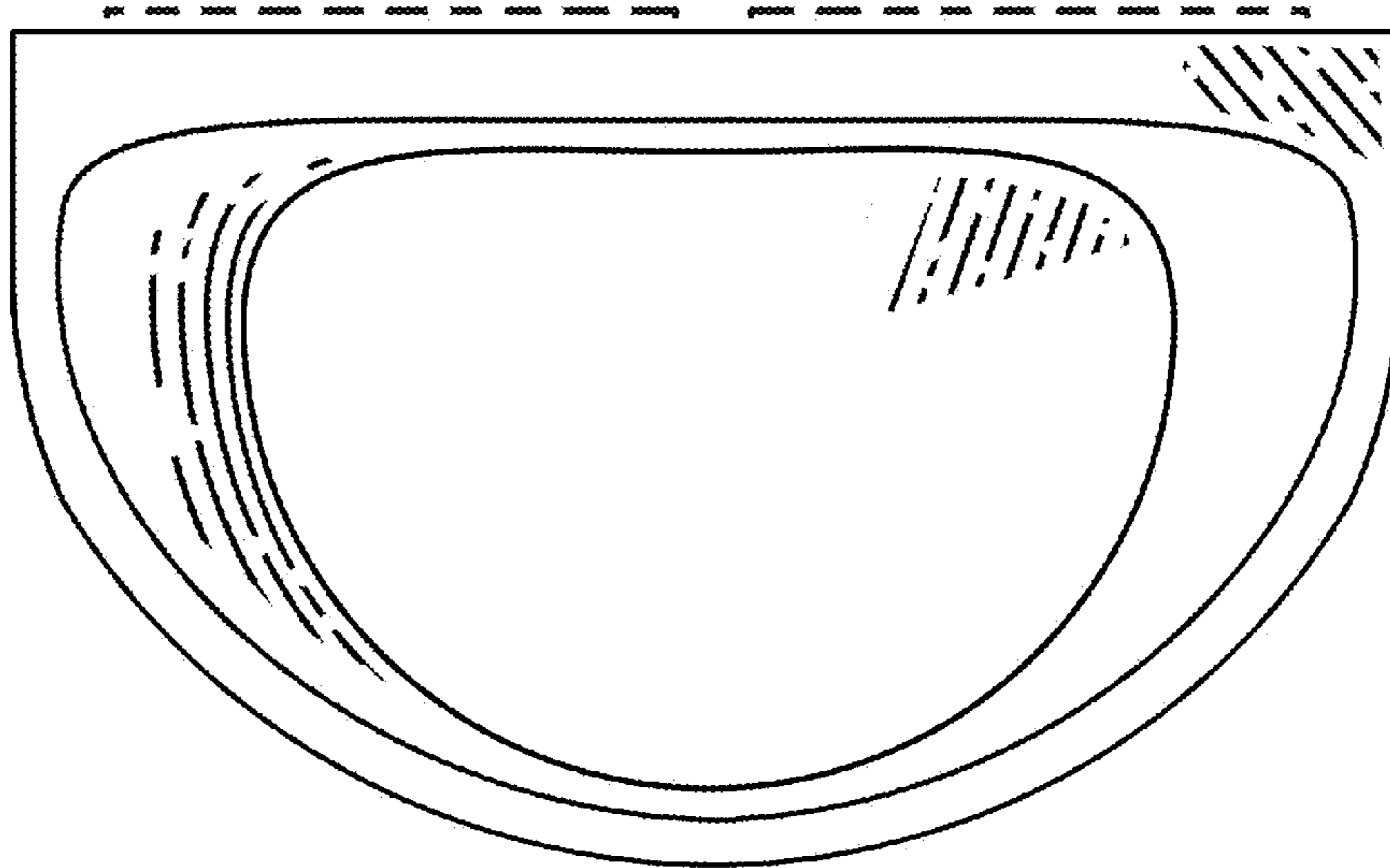


FIG. 5

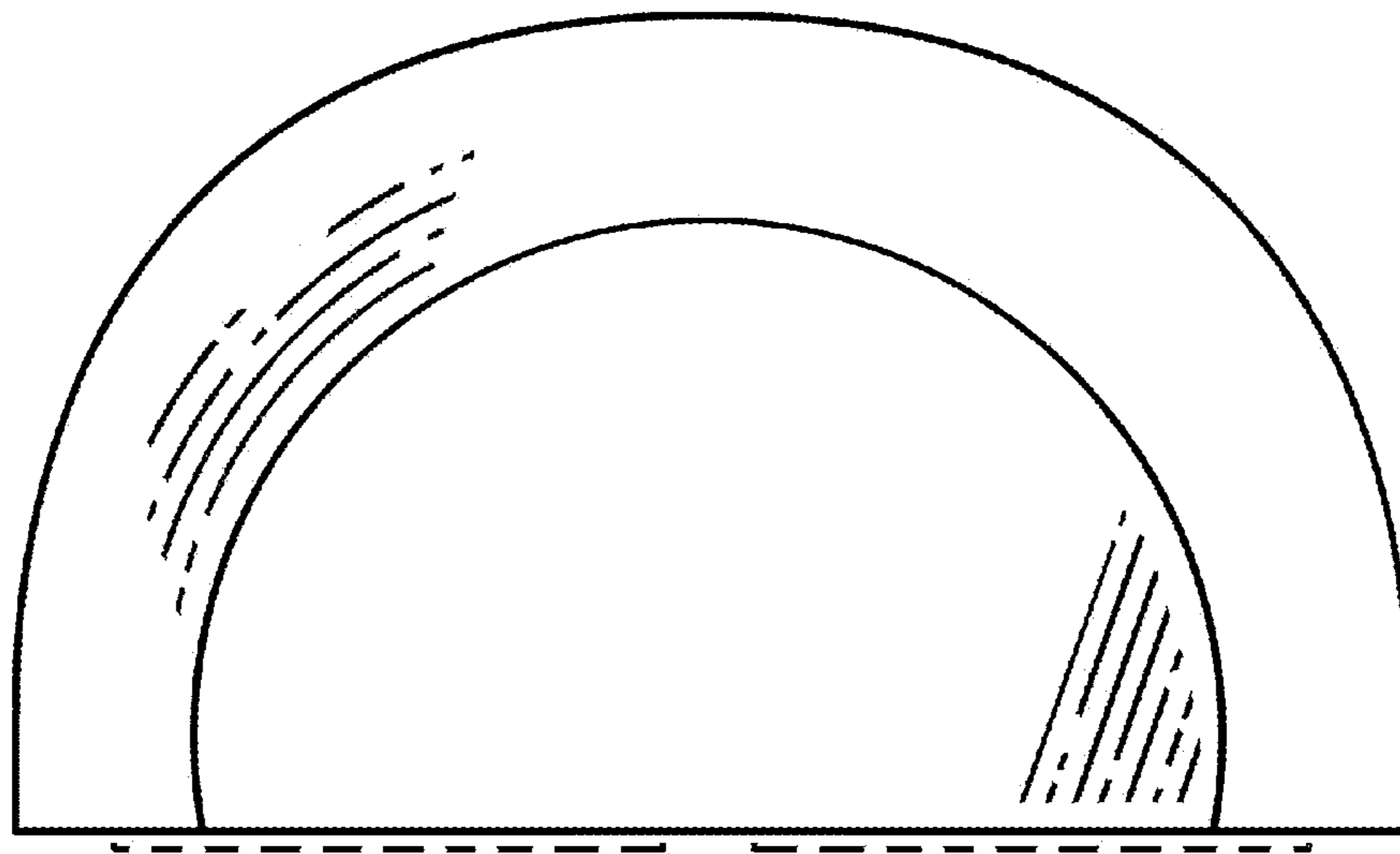


FIG. 6

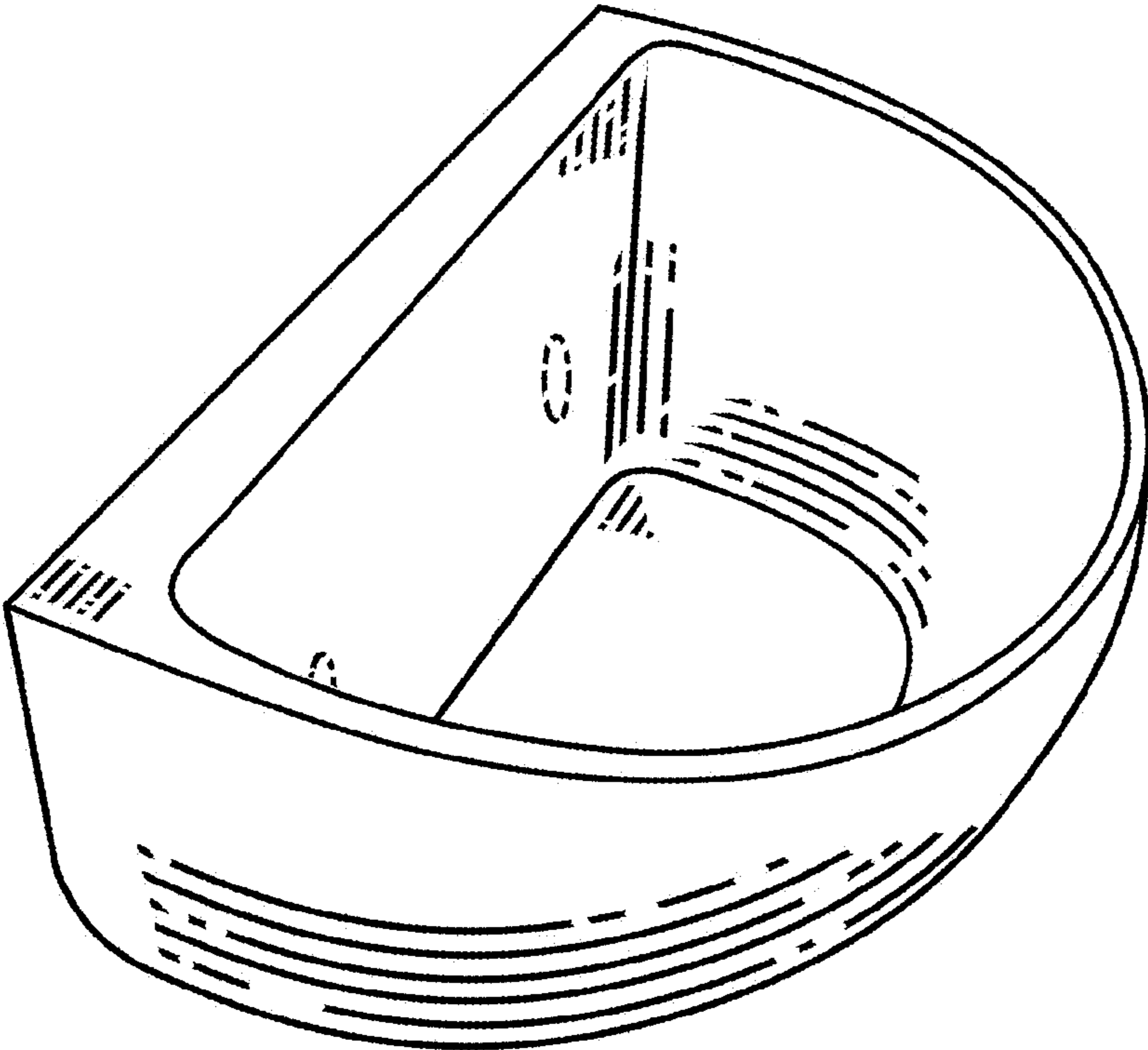


FIG. 7