



US00D769017S

(12) **United States Design Patent** (10) **Patent No.:** **US D769,017 S**
Tsai (45) **Date of Patent:** **** Oct. 18, 2016**

(54) **SHOWER CADDY**
(71) Applicant: **PRETTY STAR STORE LLC**,
Rowland Heights, CA (US)
(72) Inventor: **Tsung-Yu Tsai**, Changhua (TW)
(73) Assignee: **PRETTY STAR STORE LLC**,
Rowland Heights, CA (US)
(**) Term: **14 Years**

D677,956 S * 3/2013 Tawil D6/525
D677,957 S * 3/2013 Tawil D6/525
D698,574 S * 2/2014 Tawil D6/525
D718,071 S * 11/2014 Snider D6/525
D718,554 S * 12/2014 Snider D6/525
D728,260 S * 5/2015 Snider D6/525

* cited by examiner

Primary Examiner — Wan Laymon
Assistant Examiner — Mark Booker
(74) *Attorney, Agent, or Firm* — Muncy, Geissler, Olds &
Lowe, P.C.

(21) Appl. No.: **29/525,244**
(22) Filed: **Apr. 28, 2015**
(51) **LOC (10) Cl.** **20-02**
(52) **U.S. Cl.**
USPC **D6/525**
(58) **Field of Classification Search**
USPC D6/525, 553, 524, 536, 540, 566;
211/13.1, 74, 71.01, 86.01, 75, 126.1,
211/133.5, 181.1, 134
CPC A47K 17/00; A47K 3/281; A47K 3/001;
B23P 17/04; A47B 57/265; A47B 57/565;
A47B 57/26
See application file for complete search history.

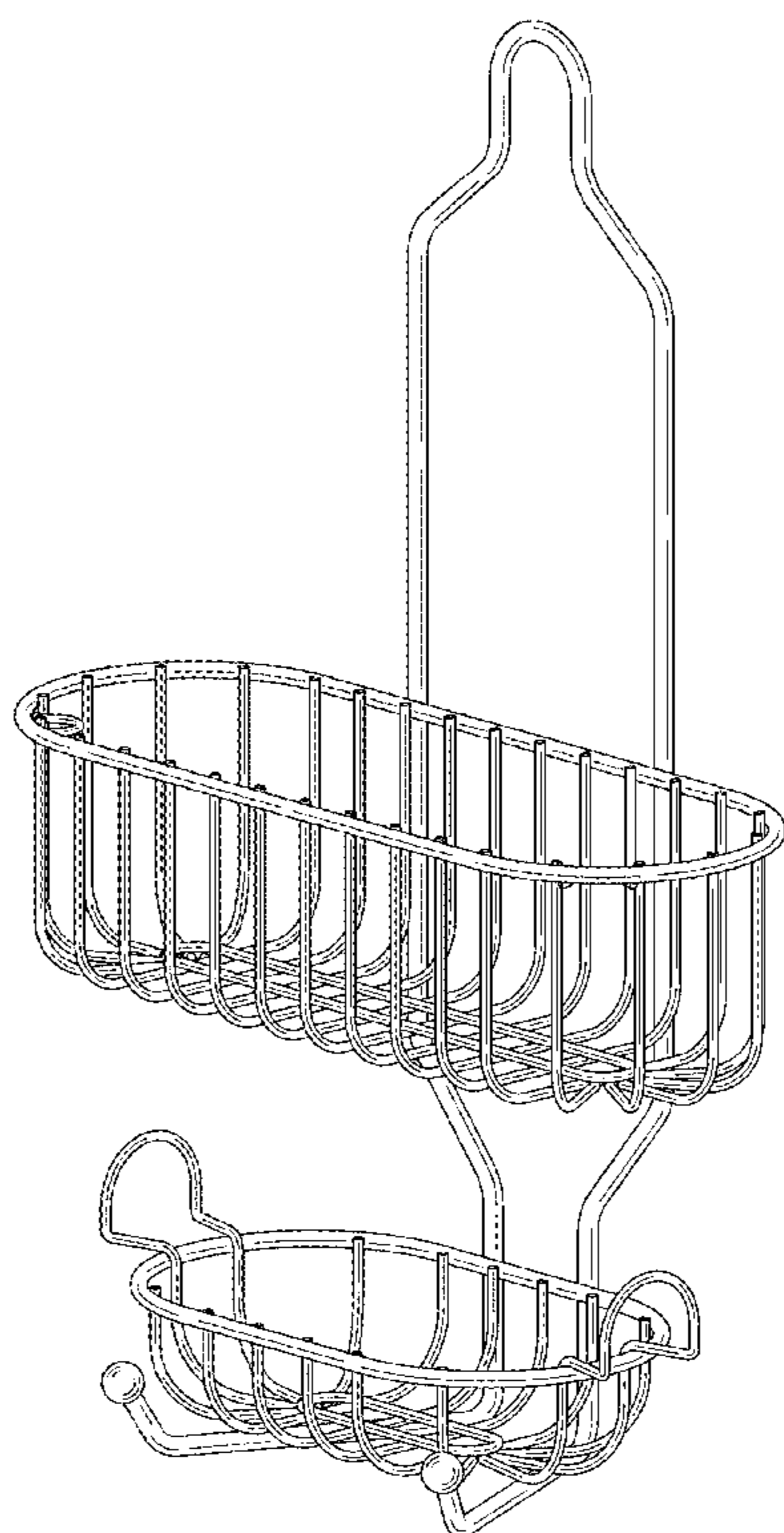
(57) **CLAIM**
The ornamental design for a shower caddy, as shown and
described.

DESCRIPTION

FIG. 1 is a perspective view of the present design;
FIG. 2 is a front view of the present design;
FIG. 3 is a rear view of the present design;
FIG. 4 is a left side view of the present design;
FIG. 5 is a right side view of the present design;
FIG. 6 is a top view of the present design; and,
FIG. 7 is a bottom view of the present design.

(56) **References Cited**
U.S. PATENT DOCUMENTS
D496,549 S * 9/2004 Snell D6/525
D513,373 S * 1/2006 Harwanko D6/525

1 Claim, 5 Drawing Sheets



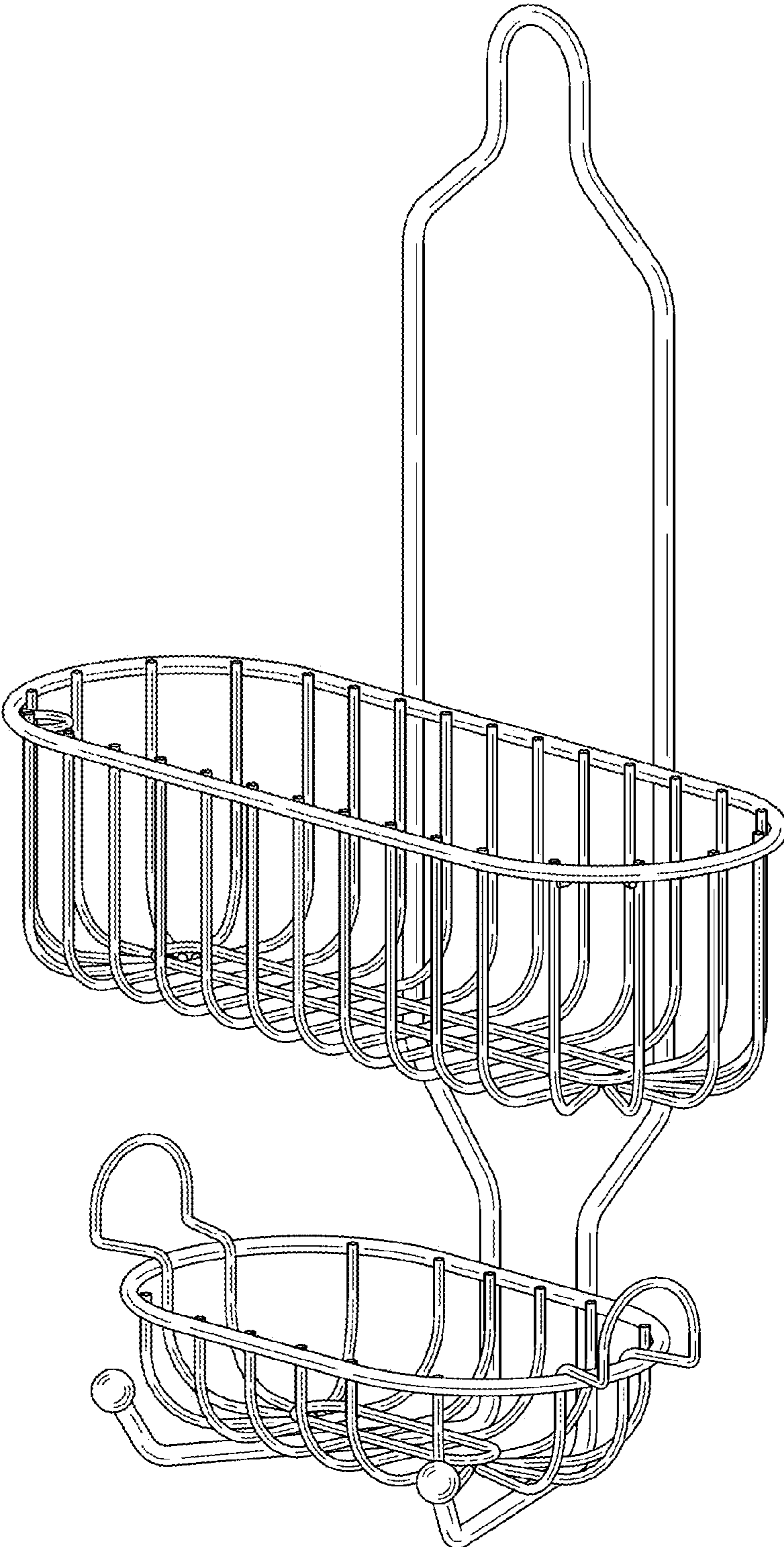


FIG. 1

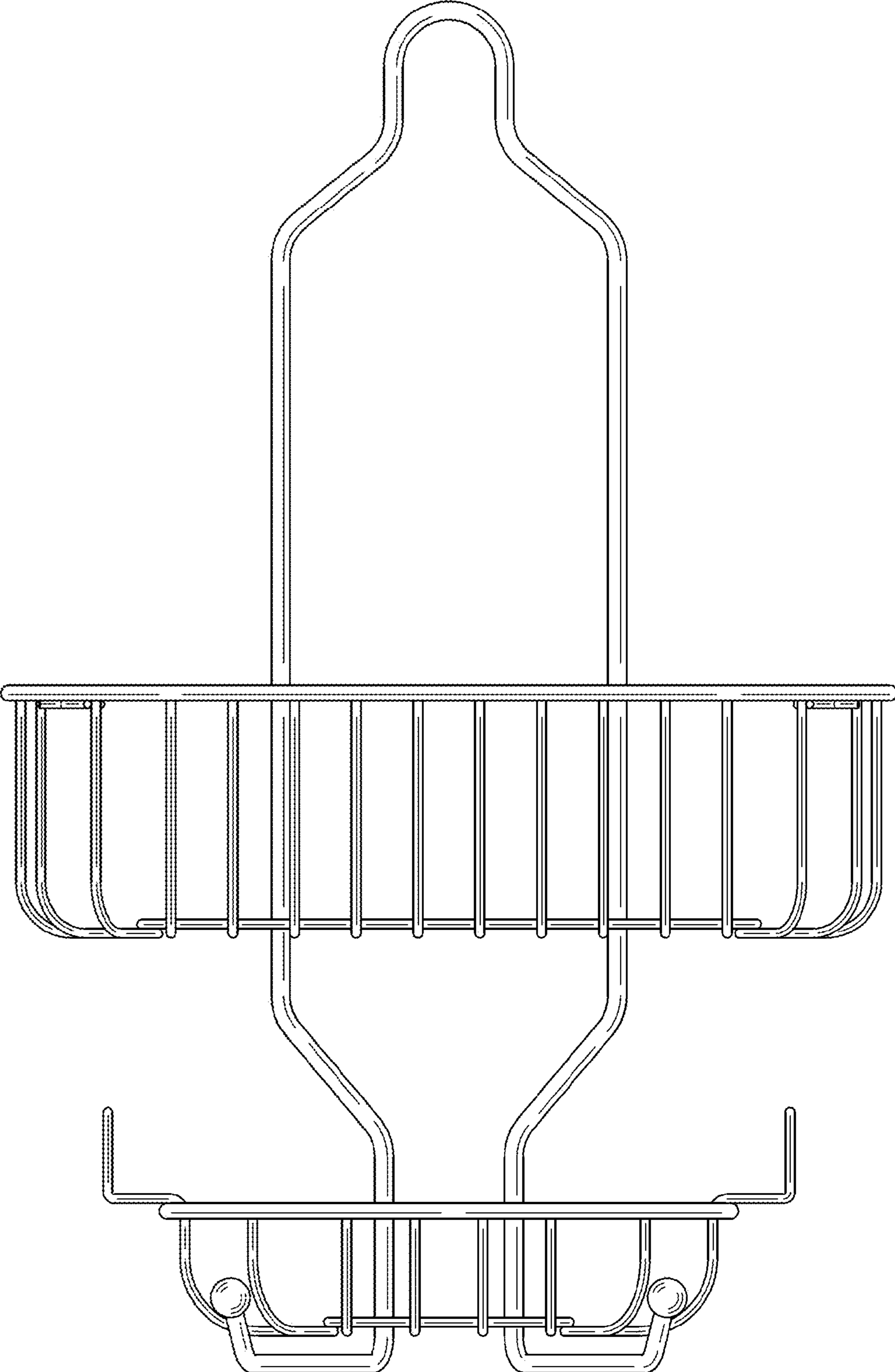


FIG. 2

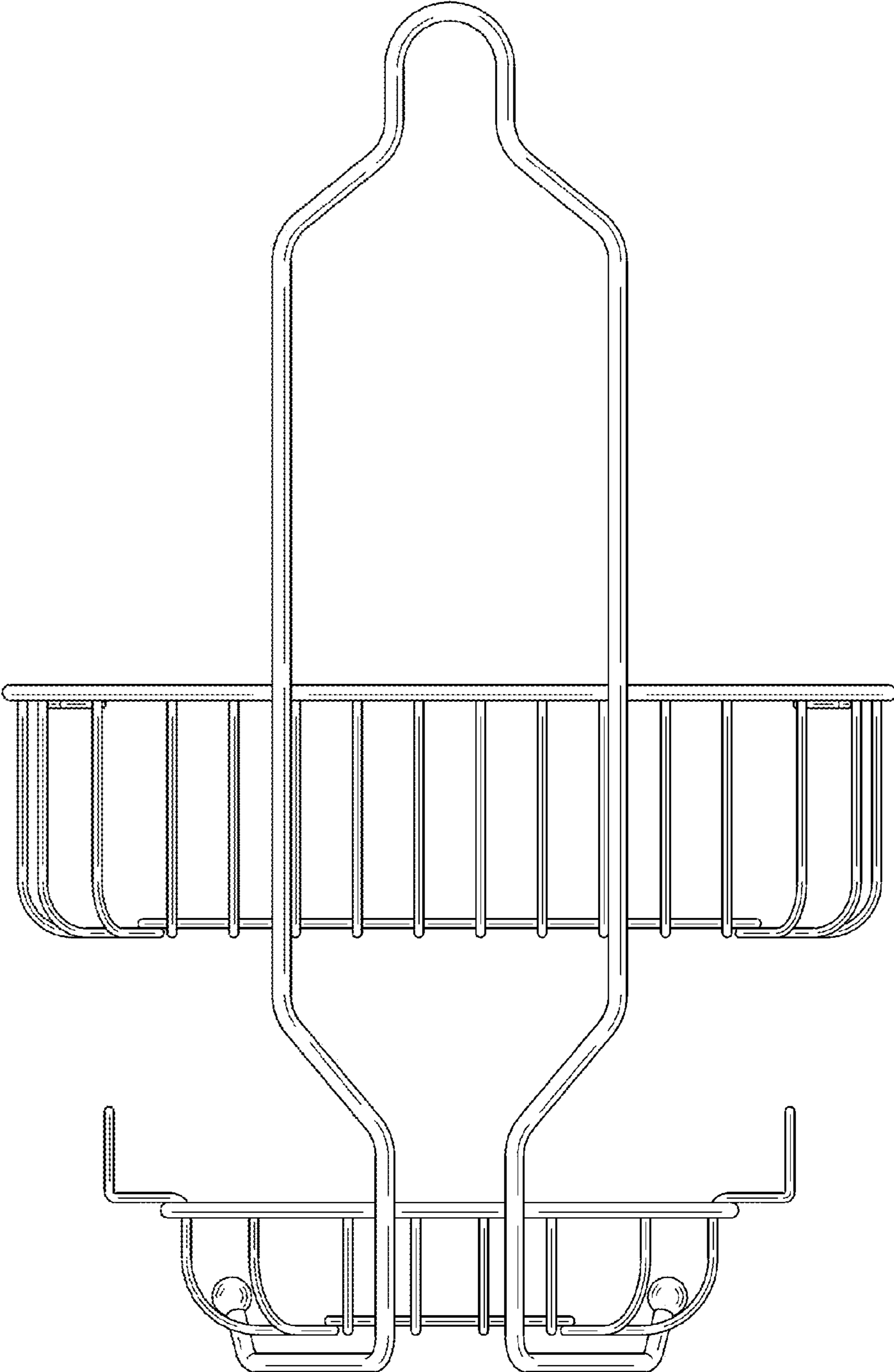


FIG. 3

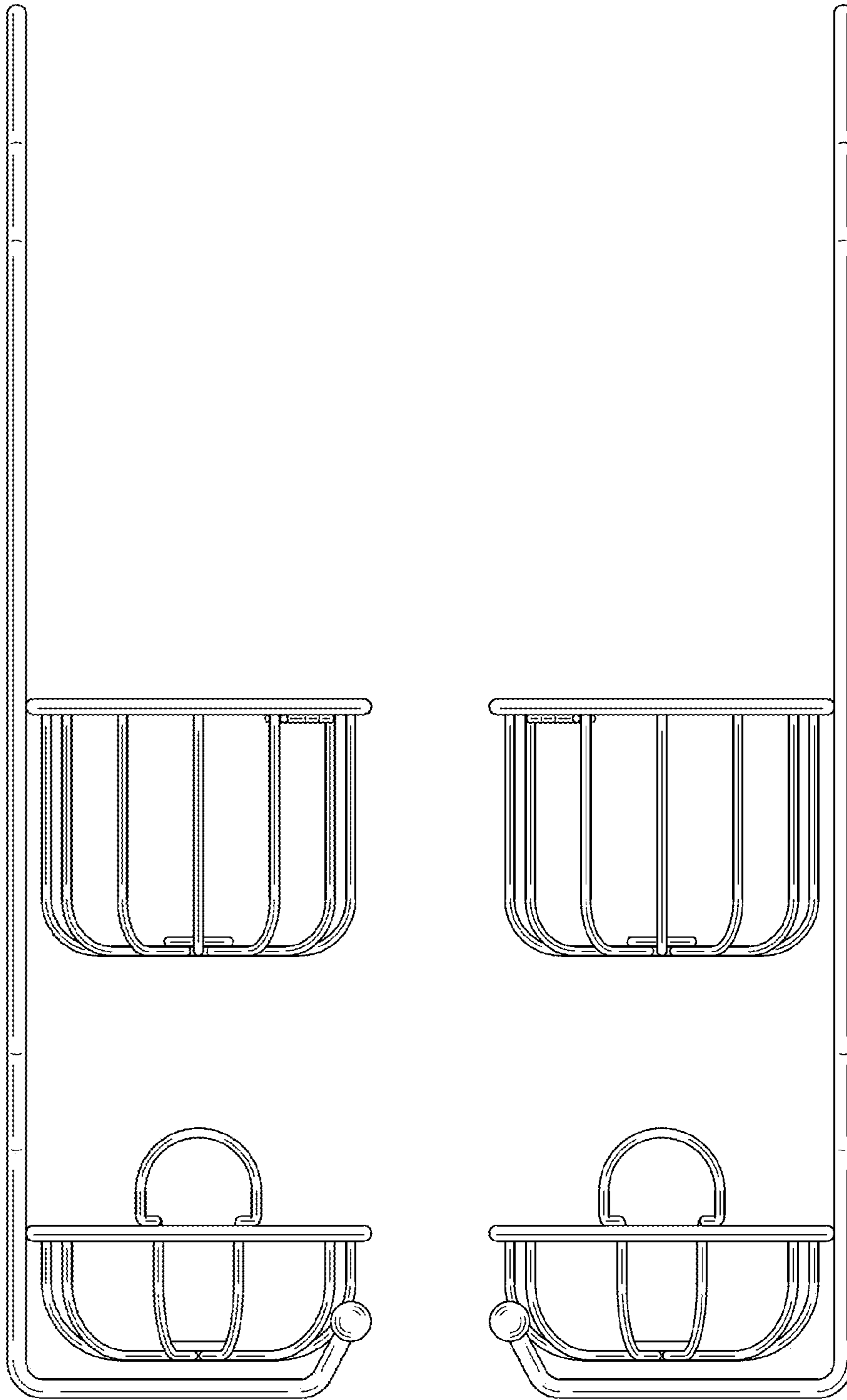


FIG. 4

FIG. 5

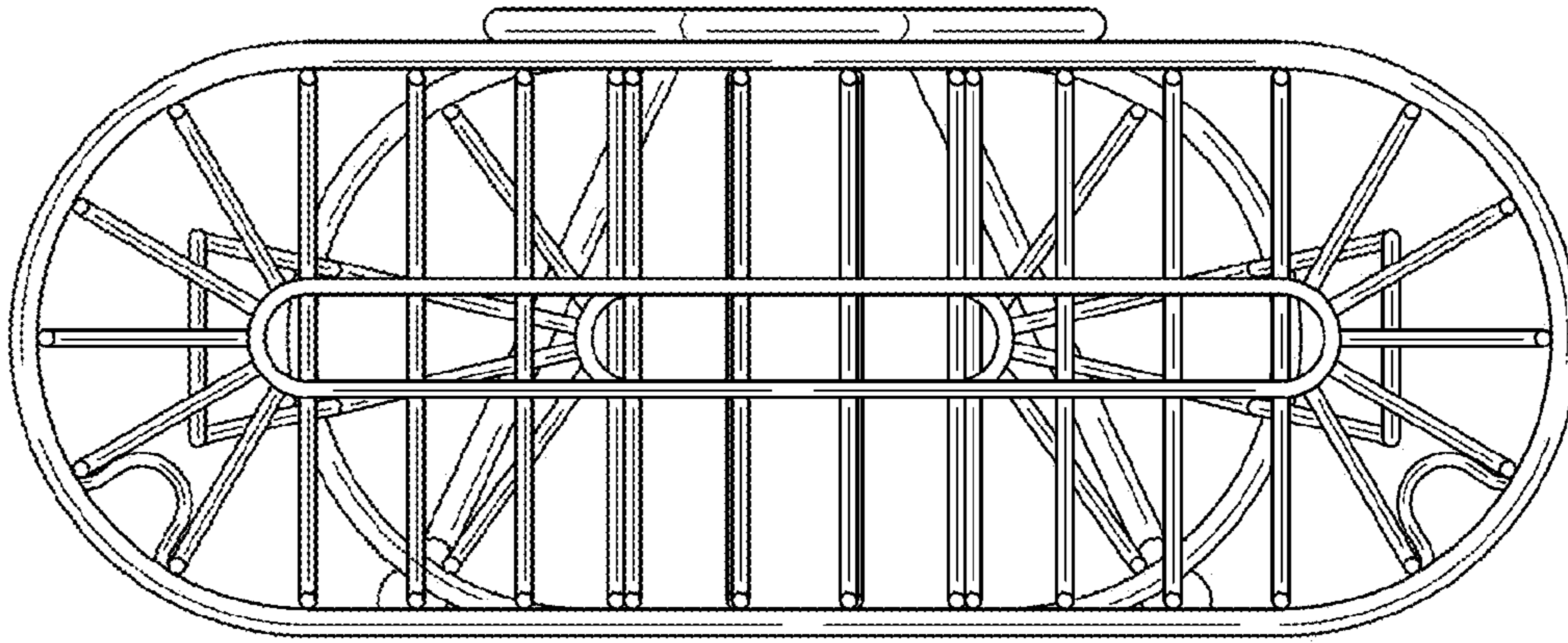


FIG. 6

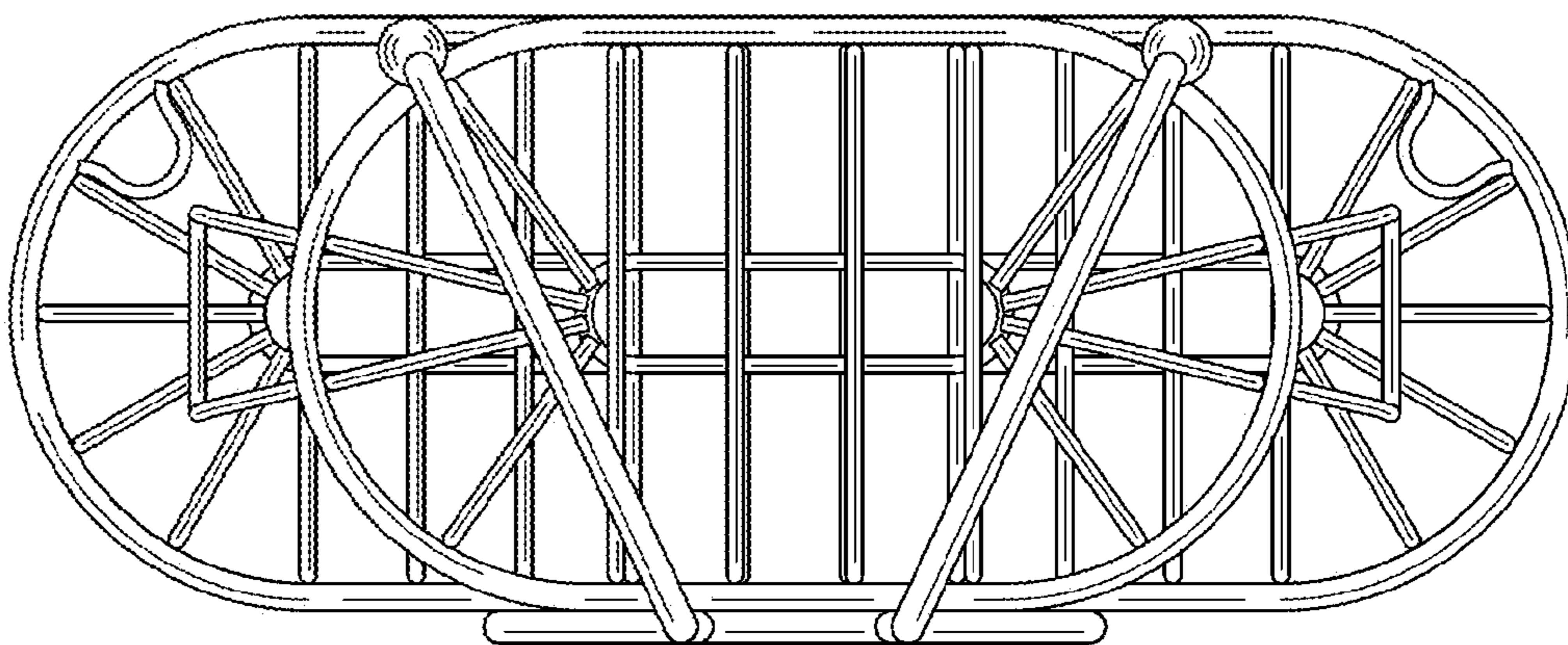


FIG. 7