



US00D769009S

(12) **United States Design Patent** (10) **Patent No.:** **US D769,009 S**
Erhel et al. (45) **Date of Patent:** **** Oct. 18, 2016**

(54) **SEAT**

(71) Applicant: **BOMBARDIER INC.**, Dorval (CA)
(72) Inventors: **Philippe Andre Eugene Erhel**,
Montreal (CA); **Adrian Goring**, Saint
Laurent (CA); **Dorothee Redon**, Saint
Laurent (CA); **Chen Hua Yu**, Montreal
(CA)

(73) Assignee: **BOMBARDIER INC.**, Dorval (CA)

(**) Term: **15 Years**

(21) Appl. No.: **29/554,078**

(22) Filed: **Feb. 8, 2016**

Related U.S. Application Data

(62) Division of application No. 29/489,040, filed on Apr.
25, 2014, now Pat. No. Des. 752,352.

(51) **LOC (10) Cl.** **06-01**

(52) **U.S. Cl.**
USPC **D6/356**

(58) **Field of Classification Search**
USPC D6/334-336, 356, 367, 368, 374, 375,
D6/716, 716.1, 716.2, 716.3, 716.4, 716.7
CPC B60N 2/686; B60N 2/449; B60N 2/4882;
B60N 2/68; A47C 5/12; A47C 3/12; A47C
7/022; A47C 7/18; A47C 7/40
See application file for complete search history.

(56) **References Cited**

U.S. PATENT DOCUMENTS

D577,503 S 9/2008 Priestman
D703,964 S 5/2014 Gagnon et al.
D748,405 S * 2/2016 Sethapun D6/356
D752,352 S * 3/2016 Erhel D6/356

* cited by examiner

Primary Examiner — Mimosa De

(74) *Attorney, Agent, or Firm* — Thomas & Karceski, PC

(57) **CLAIM**

The ornamental design for a seat, as shown and described.

DESCRIPTION

FIG. 1 is a perspective view of a seat according to the design;

FIG. 2 is a front view of the seat of FIG. 1;

FIG. 3 is a rear view of the seat of FIG. 1;

FIG. 4 is a left side view of the seat of FIG. 1;

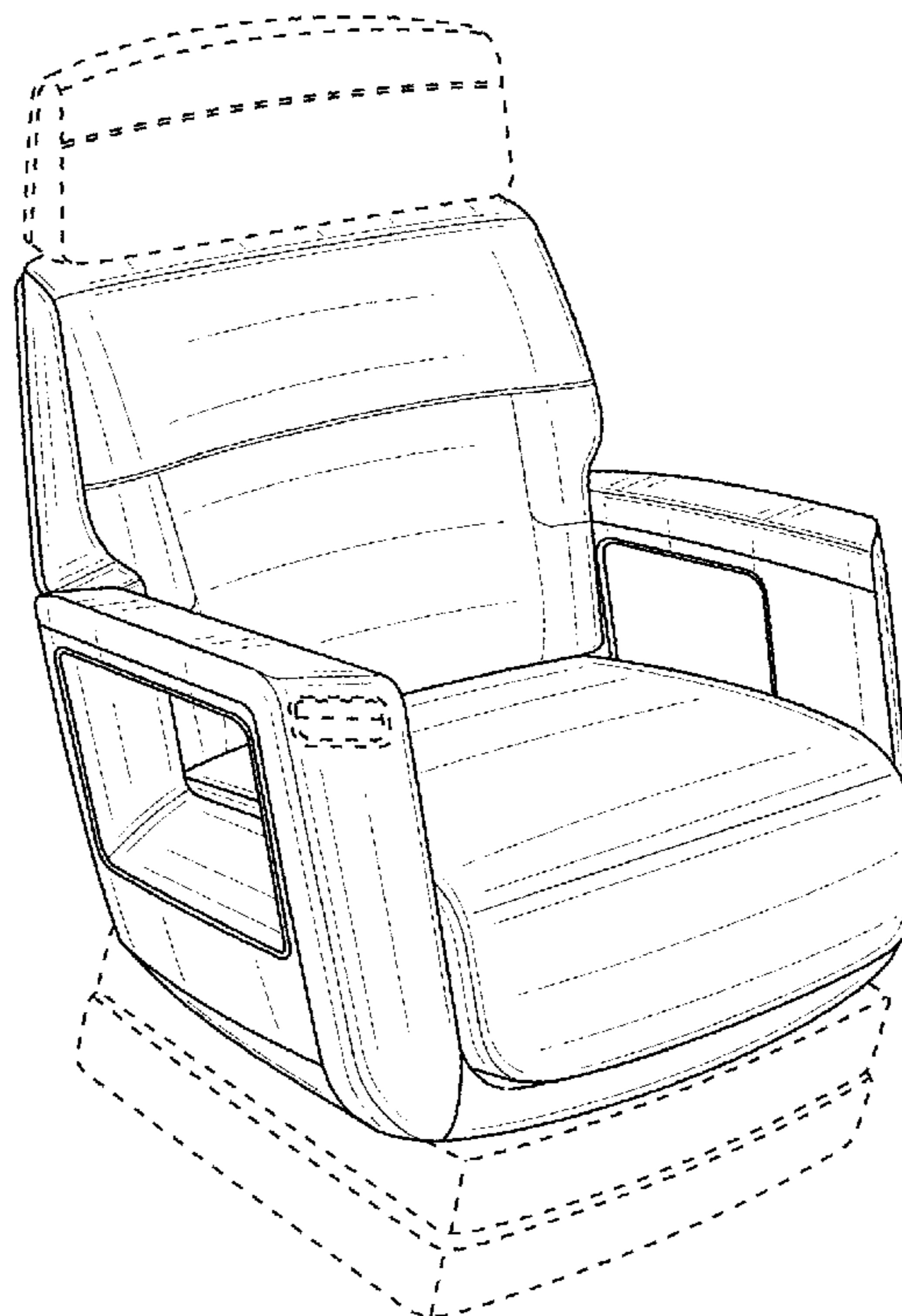
FIG. 5 is a right side view of the seat of FIG. 1; and,

FIG. 6 is a top view of the seat of FIG. 1.

The broken lines that are included in all of the figures of the drawings denote aspects of the seat that form no part of the claimed designs.

The bottom view of the illustrated design is omitted, because the bottom view is plain and unornamented and, therefore, forms no part of the claimed design.

1 Claim, 6 Drawing Sheets



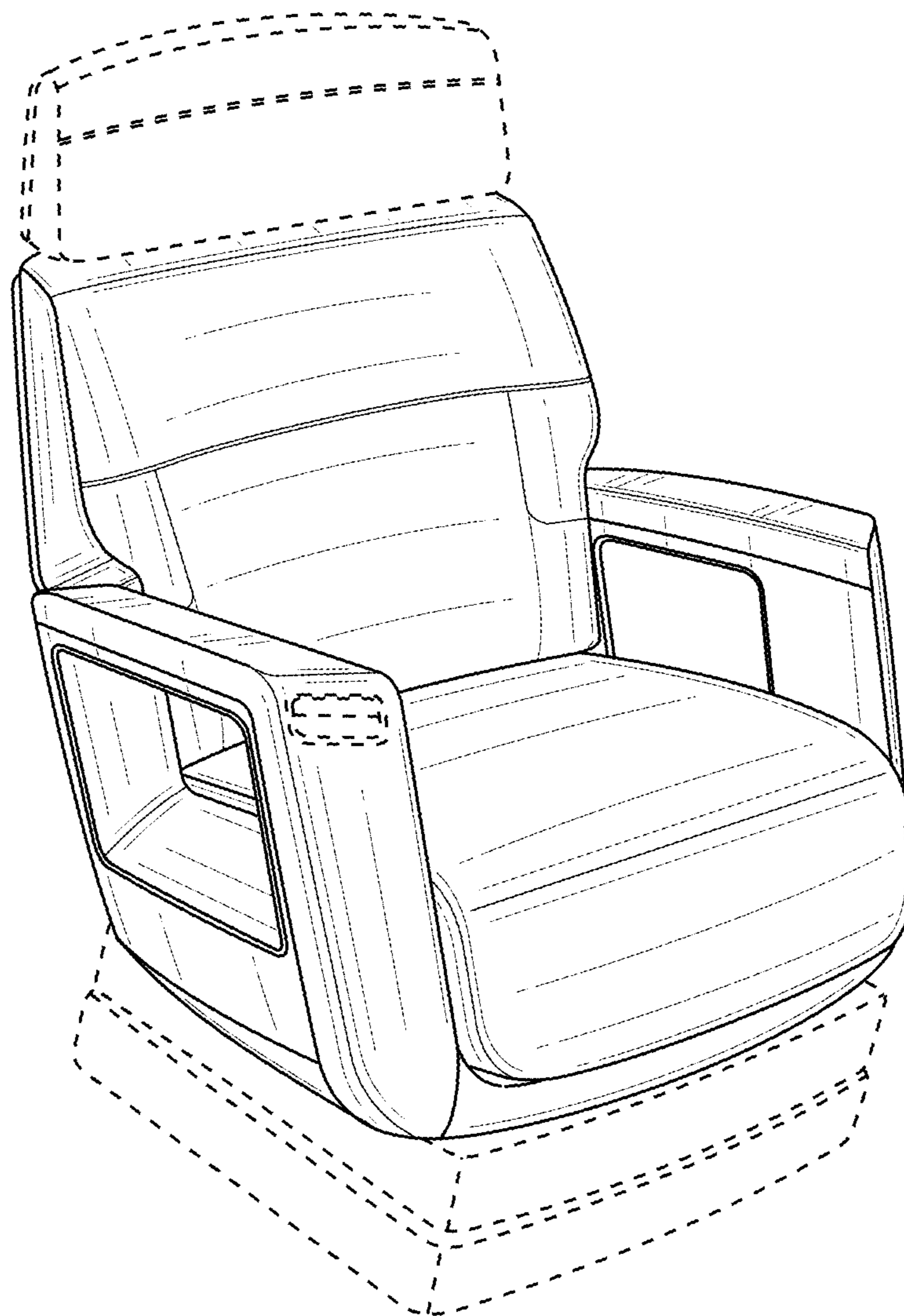


FIG. 1

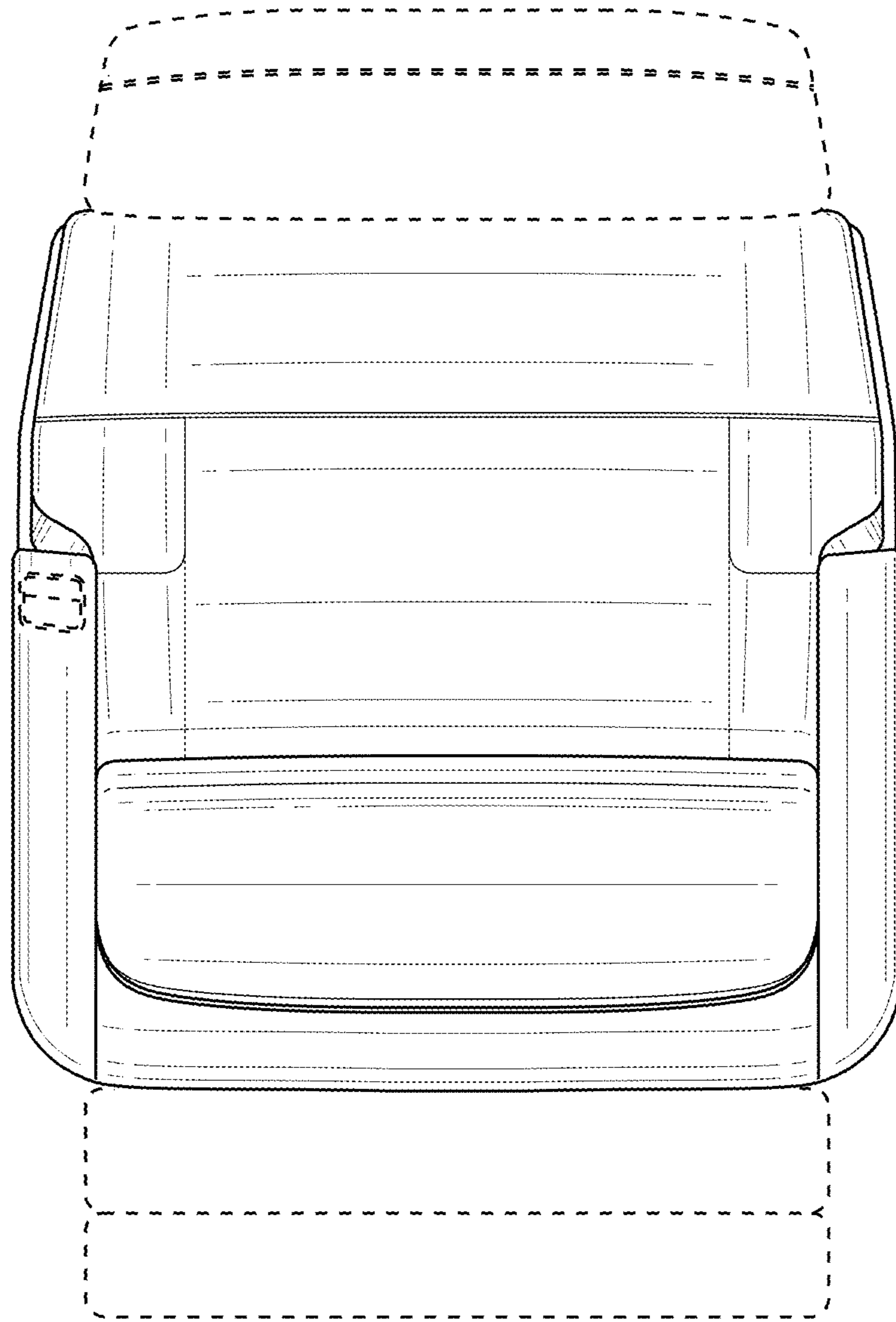


FIG. 2

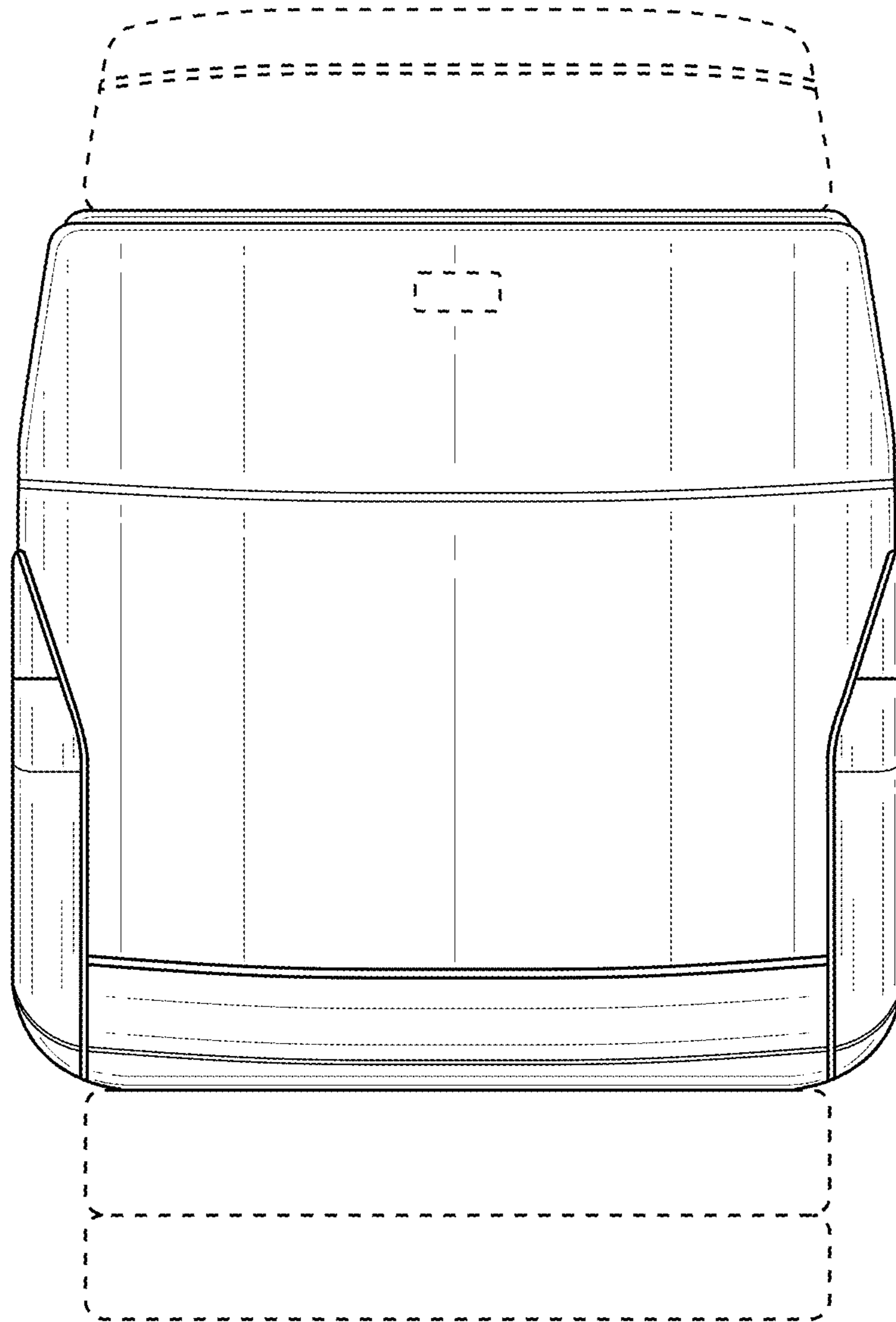


FIG. 3

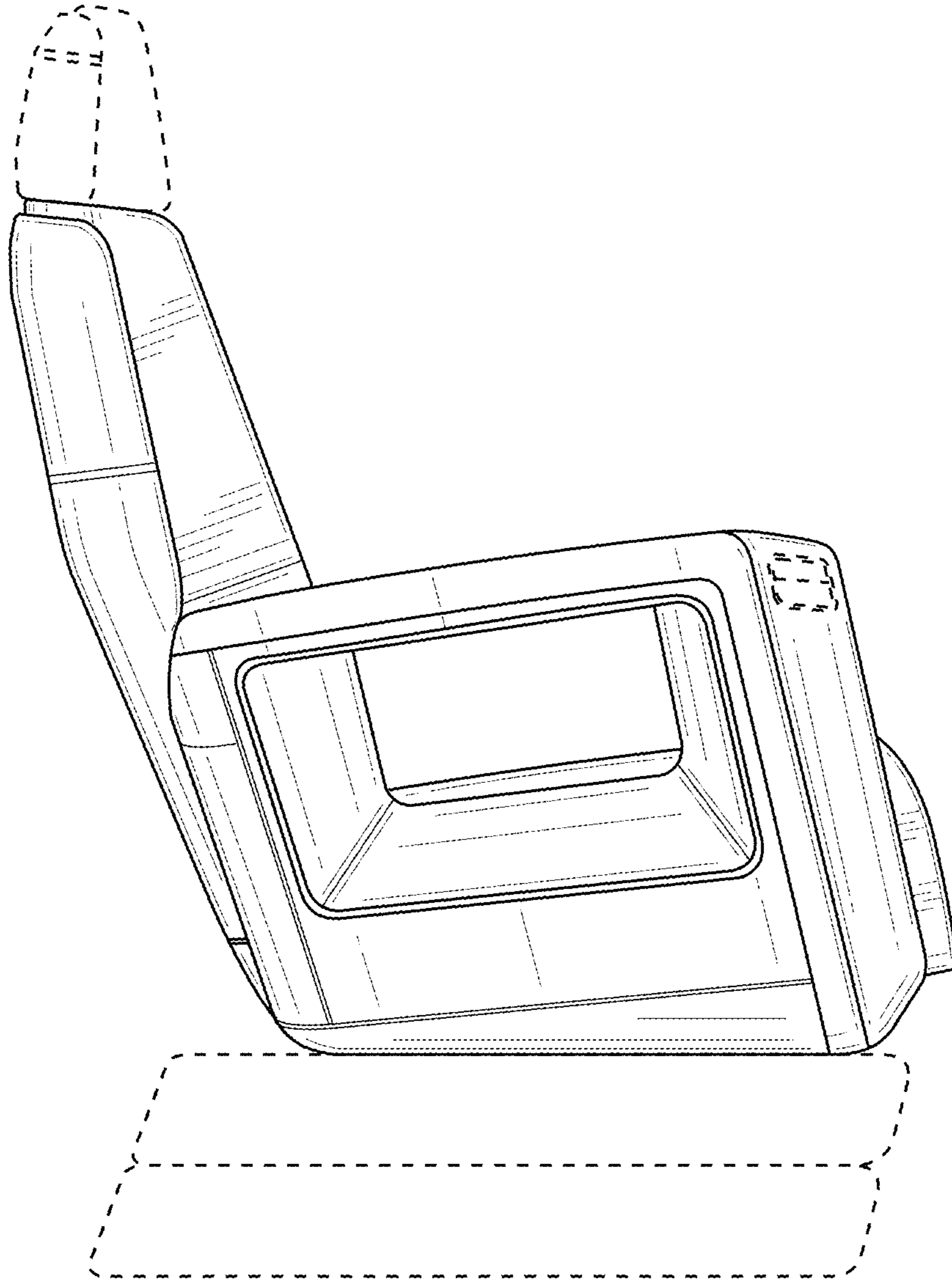


FIG. 4

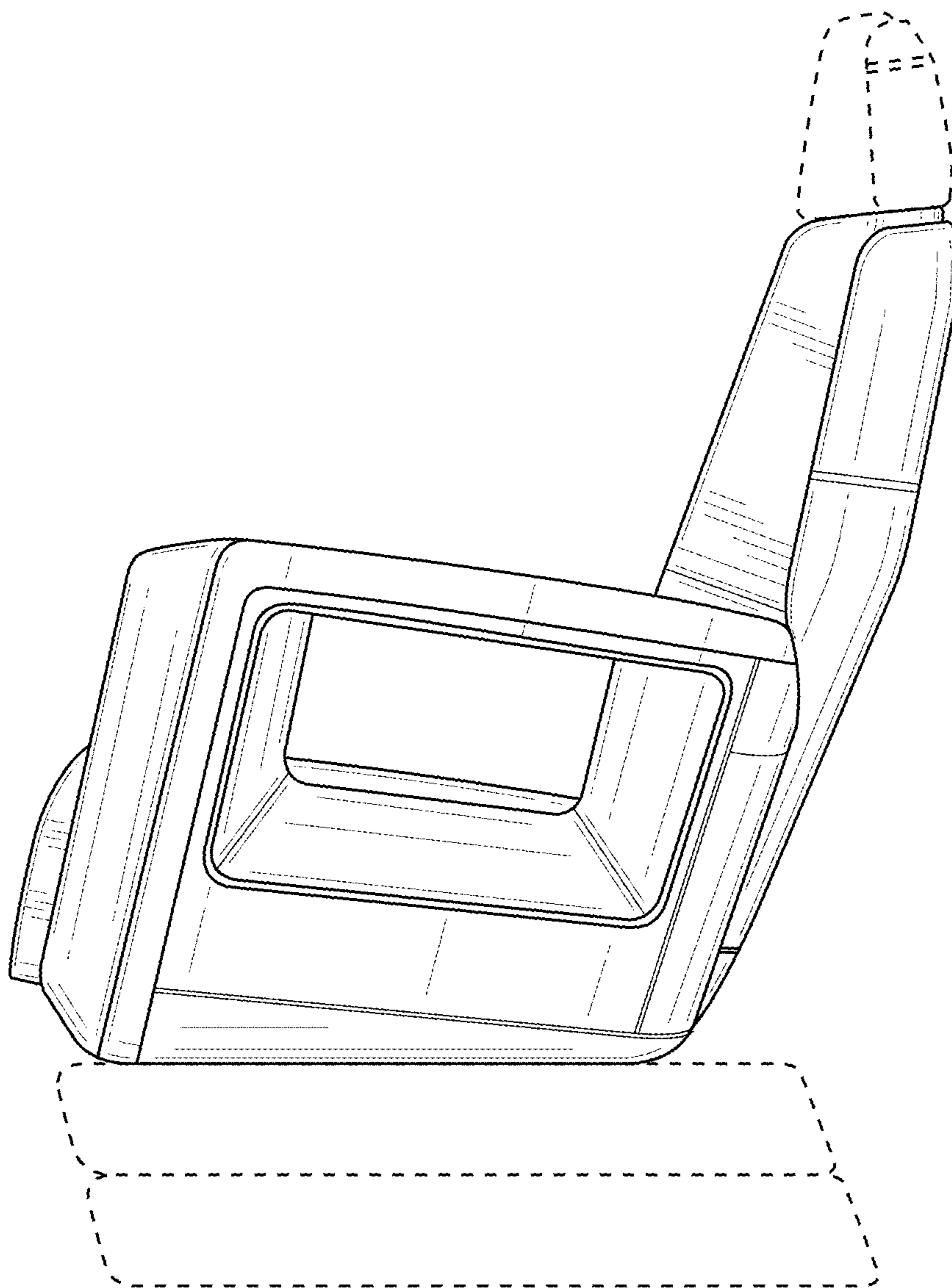


FIG. 5

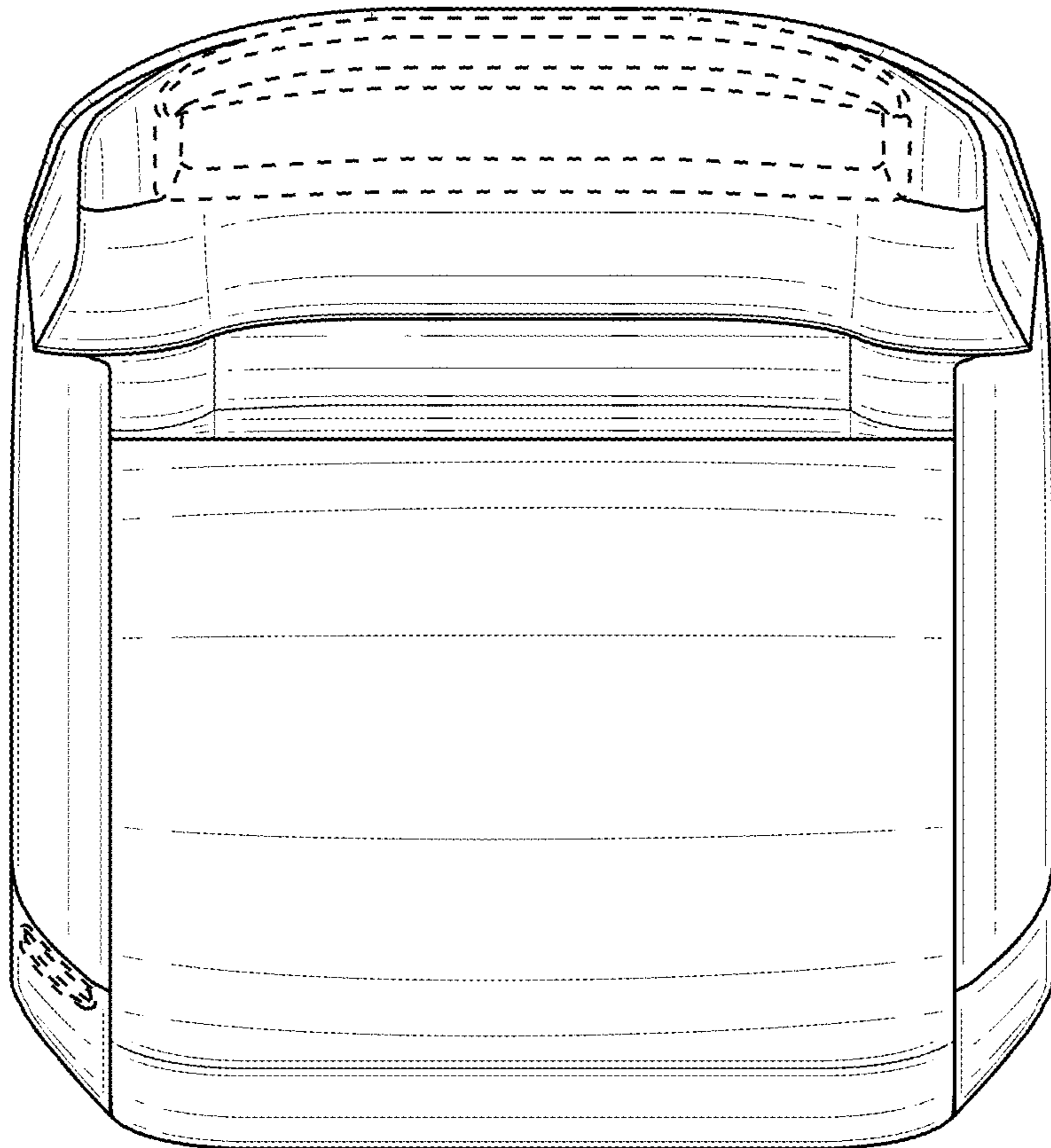


FIG. 6