

US00D769006S

(12) **United States Design Patent** (10) **Patent No.:** **US D769,006 S**
Sullivan et al. (45) **Date of Patent:** **** Oct. 18, 2016**

(54) **SIZER FOR GARMENT HANGER**
(71) Applicant: **Sourcing Solutions International Ltd,**
Kowloon (HK)
(72) Inventors: **Kevin R. Sullivan,** Atlanta, GA (US);
Leung Ho, Kowloon (HK)
(73) Assignee: **Sourcing Solutions International Ltd,**
Kowloon (HK)
(**) Term: **14 Years**

D510,198 S 10/2005 Willardson
D523,669 S * 6/2006 Wieser D6/518
D536,180 S * 2/2007 Wu D6/328
D536,181 S * 2/2007 Wu D6/328
D547,557 S * 7/2007 Wu D6/328
D552,361 S * 10/2007 Goldman D6/328
D583,575 S 12/2008 Goldman et al.
7,513,400 B2 * 4/2009 Gouldson A47G 25/1435
223/85
D595,513 S 7/2009 Goldman et al.
7,588,173 B2 * 9/2009 Mainetti A47G 25/1421
223/85
D605,415 S * 12/2009 Zuckerman D6/328
D605,418 S * 12/2009 Niccol D6/328

(21) Appl. No.: **29/516,825**
(22) Filed: **Feb. 6, 2015**
(51) **LOC (10) Cl.** **06-08**
(52) **U.S. Cl.**
USPC **D6/328**
(58) **Field of Classification Search**
USPC D6/315-328, 515, 518, 524, 525, 528,
D6/534, 535, 536, 542; 223/85-98; 211/1,
211/13.1, 85.3, 86.01, 105.2, 106.1, 123,
211/124, 183; 248/317, 339; 40/322;
D7/515, 518; D9/430, 431; D19/75,
D19/77, 81, 86, 90, 102
CPC A47G 25/32; A47G 25/743; A47G 25/36;
A47G 25/1407; A47G 25/06; A47G 25/38;
A47G 25/1414; A47G 25/0607; A47G
25/186; A47F 5/0006; A47F 7/19; A47F
7/24; Y10T 24/51; Y10T 24/3449
See application file for complete search history.

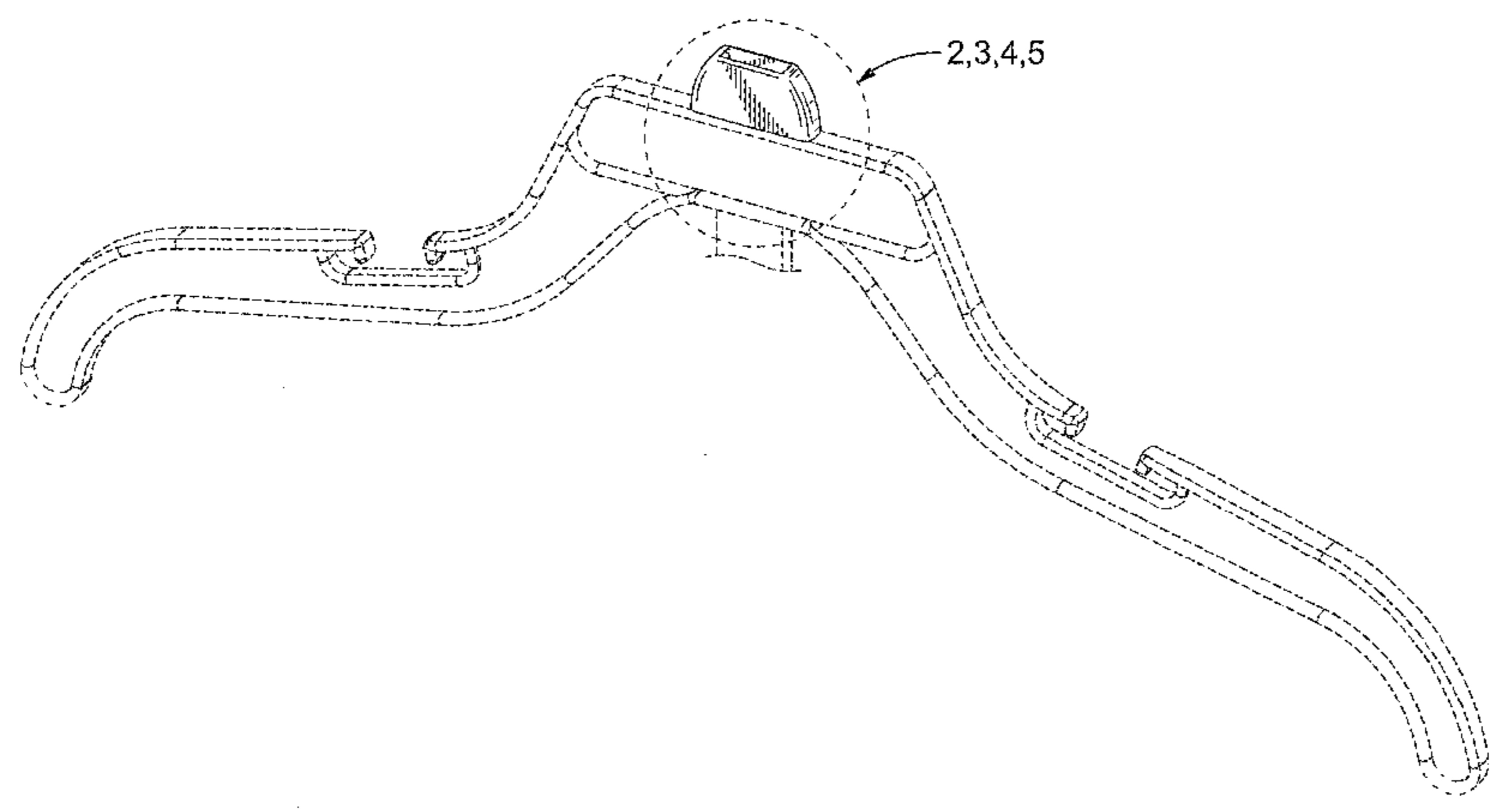
(Continued)
Primary Examiner — Derrick Holland
Assistant Examiner — Lauren Calve
(74) *Attorney, Agent, or Firm* — Schroeder Law PC

(57) **CLAIM**
The ornamental design for a sizer for garment hanger, as shown and described.

DESCRIPTION
FIG. 1 is a front perspective view of a sizer for garment hanger showing our new design;
FIG. 2 is an enlarged front perspective view thereof according to the broken circle indicated in FIG. 1;
FIG. 3 is an enlarged front elevation view thereof according to the broken circle indicated in FIG. 1, the rear elevation being a mirror image thereof;
FIG. 4 is an enlarged right side elevation view thereof according to the broken circle indicated in FIG. 1, the left side elevation view being a mirror image thereof; and,
FIG. 5 is an enlarged top view thereof according to the broken circle indicated in FIG. 1.
The broken lines shown represent unclaimed subject matter and form no part of the claimed design. The bottom view (not shown) forms no part of the claimed design.
The broken circle shown in FIG. 1 represents the partial enlarged boundary shown in FIGS. 2-5 and forms no part of the claimed design.

(56) **References Cited**
U.S. PATENT DOCUMENTS
4,881,836 A 11/1989 Blanchard
D336,311 S * 6/1993 Tam D19/75
D360,788 S * 8/1995 Cousins D6/515
D449,744 S 10/2001 Zuckerman
D463,272 S * 9/2002 Kellar D9/431
D482,915 S * 12/2003 Yang D6/515
6,726,067 B2 * 4/2004 Louw A47G 25/1421
223/85
D502,651 S * 3/2005 Gouldson D10/46

1 Claim, 5 Drawing Sheets



(56)

References Cited

U.S. PATENT DOCUMENTS

D607,219 S *	1/2010	Goldman	D6/328	2006/0213938 A1 *	9/2006	Gouldson	A47G 25/1407
7,708,174 B1 *	5/2010	Ho	A47G 25/1421					223/85
D619,815 S *	7/2010	Warren	D6/315	2010/0019002 A1 *	1/2010	Gouldson	A47G 25/1428
7,766,198 B2	8/2010	Mainetti							223/85
D632,097 S *	2/2011	Chan	D6/328	2010/0270338 A1 *	10/2010	Mainetti	A47G 25/1421
D658,901 S *	5/2012	Yau	D6/328					223/85
D661,111 S *	6/2012	Yau	D6/328	2012/0292352 A1 *	11/2012	Gouldson	A47G 25/1428
9,173,515 B2 *	11/2015	Louw	A47G 25/1428					223/85
2002/0071920 A1 *	6/2002	Obeshaw	B21C 37/15	2013/0200114 A1 *	8/2013	Yau	A47G 25/1407
				428/34.1					223/85
					2013/0270309 A1 *	10/2013	Mainetti	A47G 25/1435
									223/85
					2014/0252048 A1 *	9/2014	Mainetti	A47G 25/40
									223/85

* cited by examiner

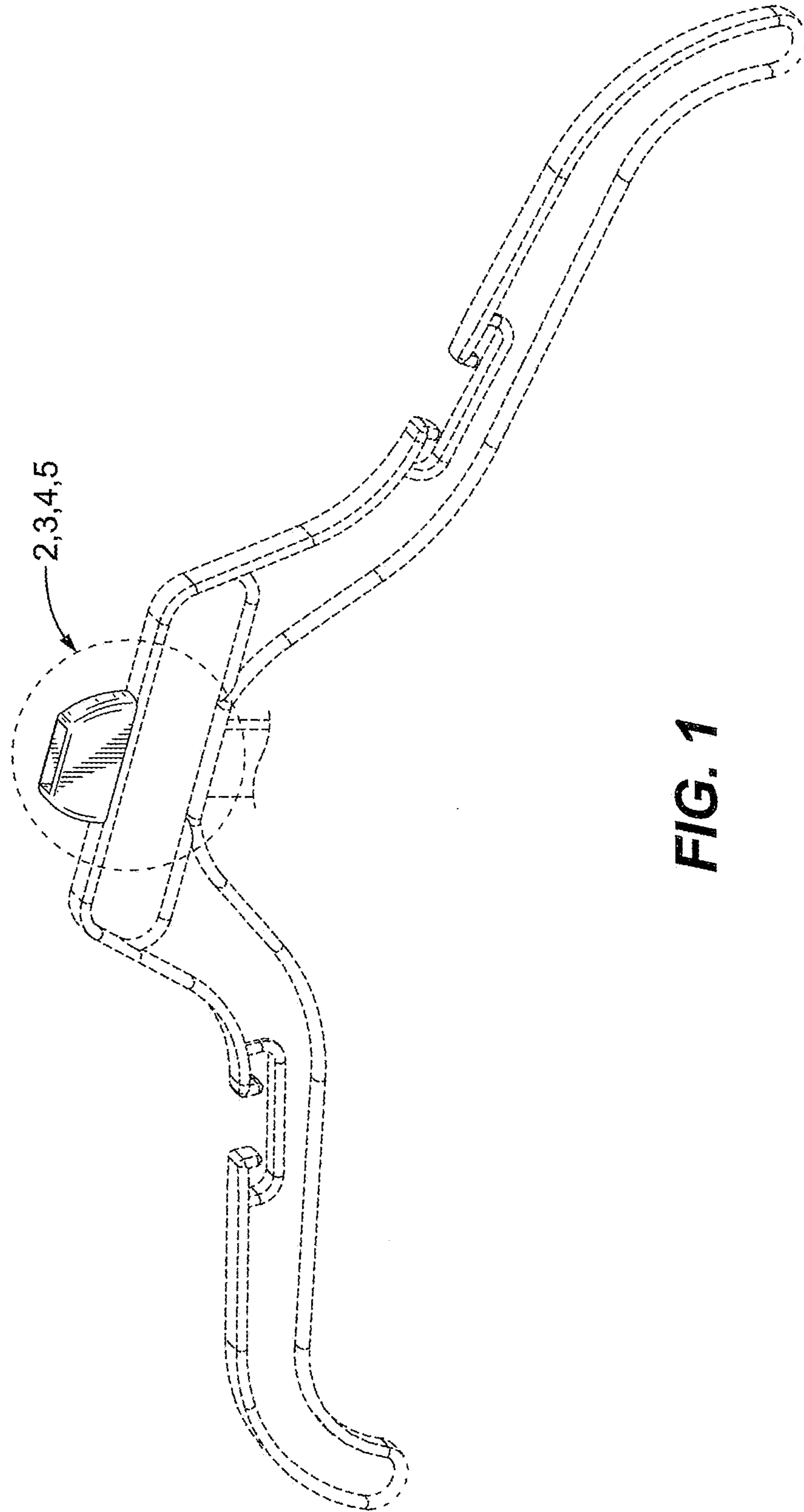


FIG. 1

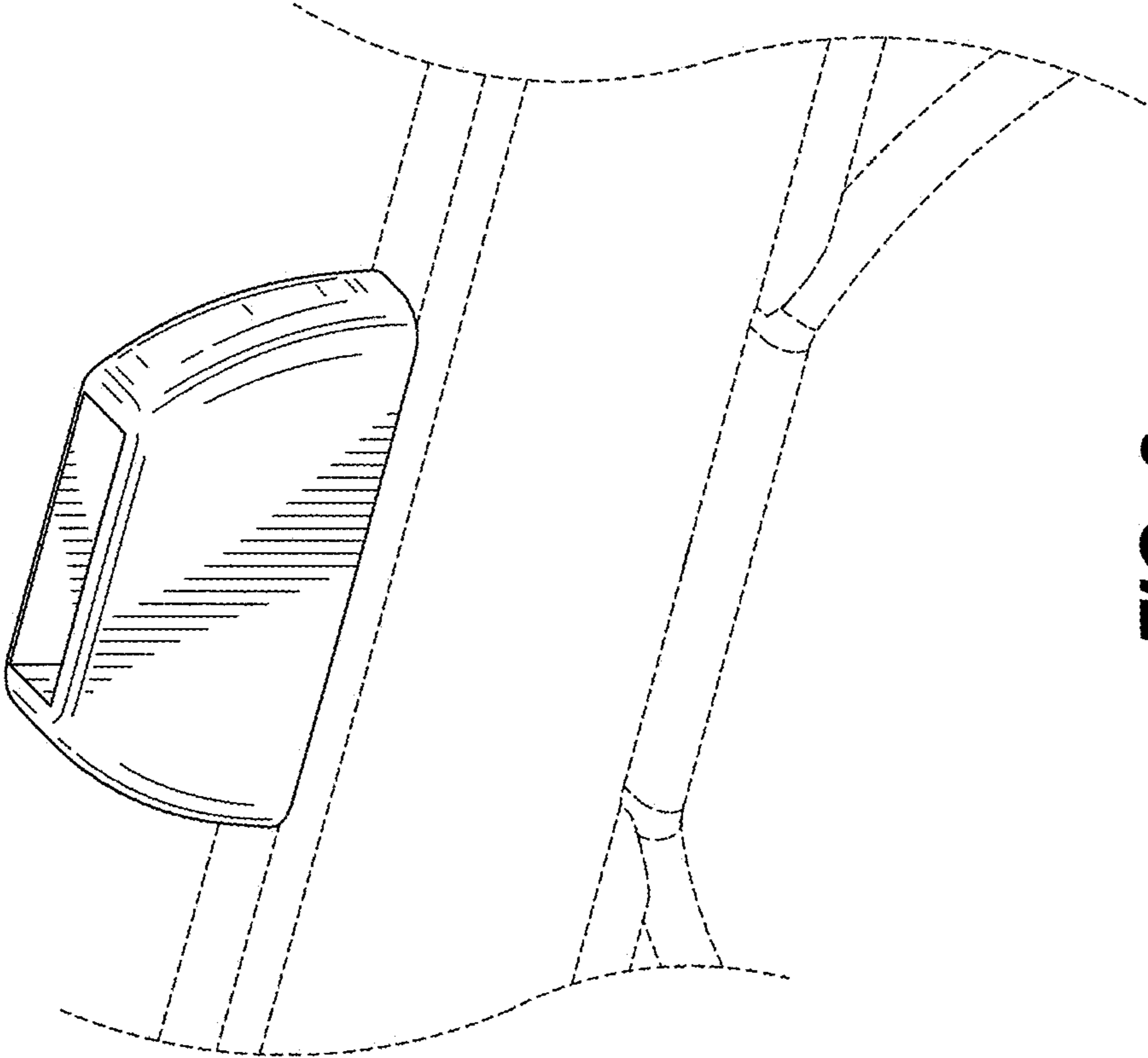


FIG. 2

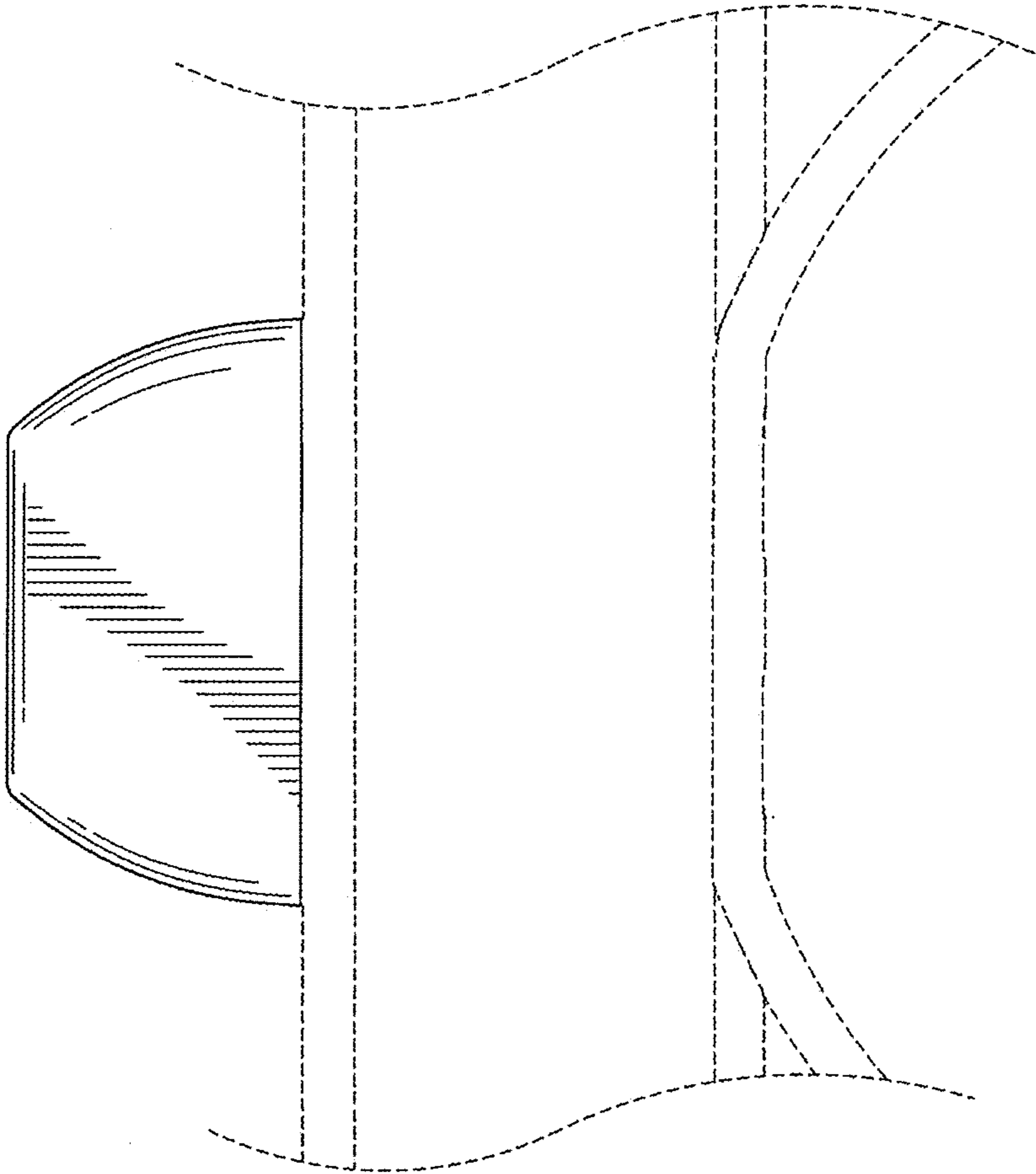


FIG. 3

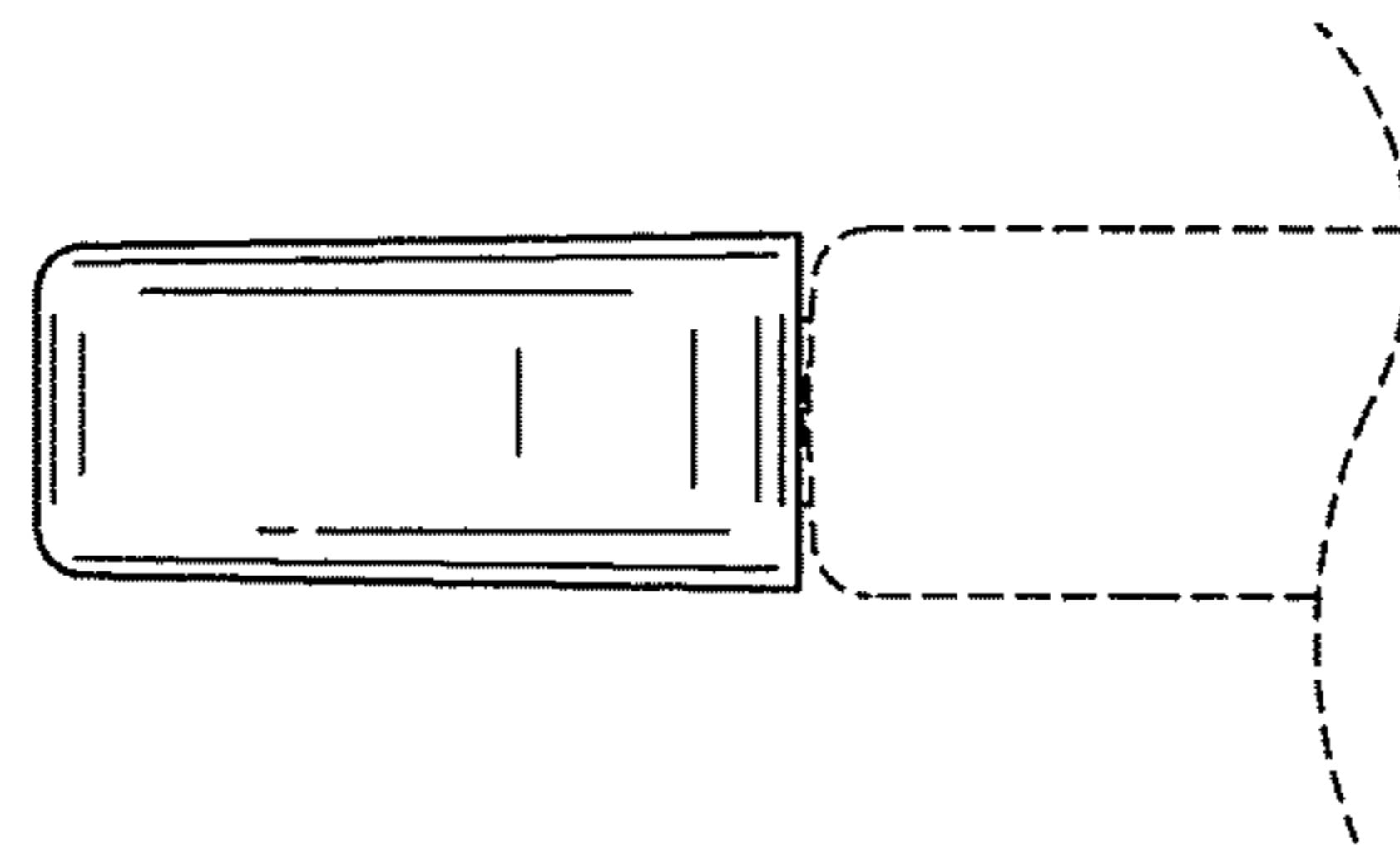


FIG. 4

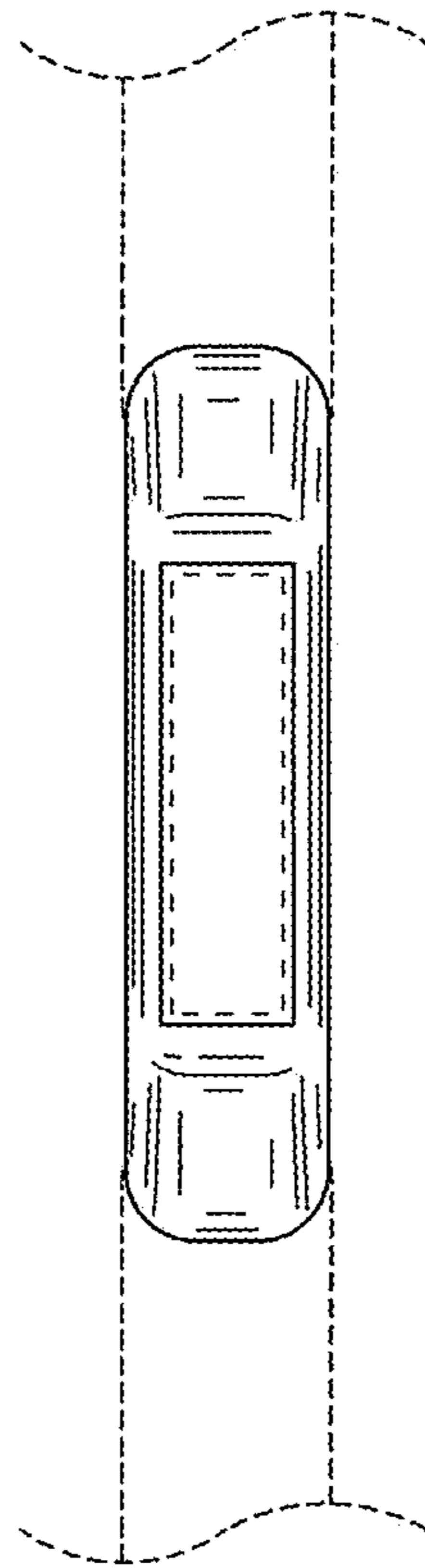


FIG. 5