



US00D768999S

(12) **United States Design Patent** (10) **Patent No.:** **US D768,999 S**
Schlegel et al. (45) **Date of Patent:** **** Oct. 18, 2016**

- (54) **BRUSH HOUSING** 5,191,973 A * 3/1993 Shteynberg B65D 75/02
206/15.2
- (71) Applicants: **Reid Schlegel**, Oradell, NJ (US);
Linden Evans, Brooklyn, NY (US);
Vincent Valderrama, Staten Island, NY
(US); **Davin Stowell**, New York, NY
(US) D350,234 S * 9/1994 Losole D4/199
5,645,167 A * 7/1997 Conrad B44D 3/125
206/1.5
D429,073 S * 8/2000 Kessel D4/199
D457,732 S * 5/2002 Ray D4/199
6,450,336 B1 * 9/2002 Edes A46B 17/04
15/247
6,575,295 B2 * 6/2003 Mayfield A46B 17/04
206/15.3
- (72) Inventors: **Reid Schlegel**, Oradell, NJ (US);
Linden Evans, Brooklyn, NY (US);
Vincent Valderrama, Staten Island, NY
(US); **Davin Stowell**, New York, NY
(US) D503,282 S * 3/2005 Murphy D4/199
D511,412 S * 11/2005 Madrid D3/228
D560,366 S * 1/2008 Phillips D4/199
D562,010 S * 2/2008 Goulet D4/199
D572,907 S * 7/2008 Byrne D4/199
D623,862 S * 9/2010 Nitzsche D4/199
D657,650 S * 4/2012 Rubin D26/38
D661,907 S * 6/2012 Birkland D4/199
D727,034 S * 4/2015 Lewis D4/199
D735,382 S * 7/2015 Blanchette D26/38
9,084,474 B2 * 7/2015 DePaola, Jr. B44D 3/125
2012/0294470 A1 * 11/2012 Saltalamacchia A46B 5/02
381/334
- (73) Assignee: **HELEN OF TROY LIMITED**, St.
Michael (BB)
- (**) Term: **15 Years**
- (21) Appl. No.: **29/532,289**
- (22) Filed: **Jul. 3, 2015**
- (51) **LOC (10) Cl.** **04-99**
- (52) **U.S. Cl.**
USPC **D4/199**
- (58) **Field of Classification Search**
USPC D3/228, 269, 300; D4/199; D9/702,
D9/711, 712; 15/246, 247; 150/161;
206/15.3, 284, 361, 362.2, 362.3,
206/362.4; 428/34.3
CPC A46B 17/04; A46B 2200/202; B65D
25/105
See application file for complete search history.

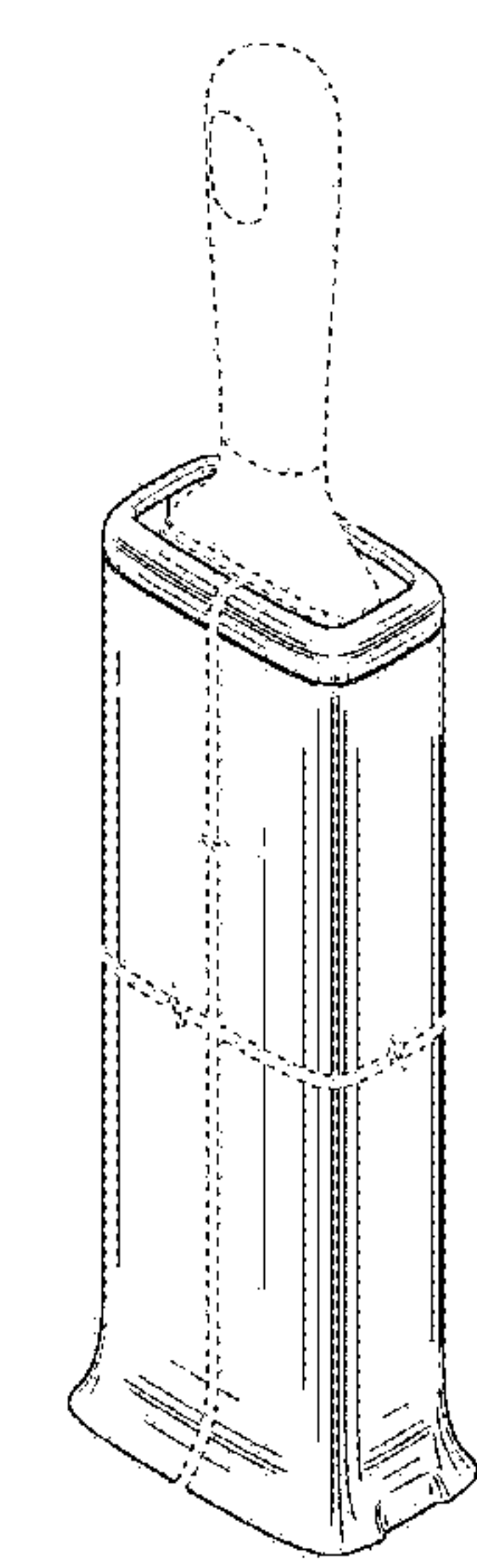
- (56) **References Cited**
U.S. PATENT DOCUMENTS
4,423,811 A * 1/1984 Knapp B65D 43/162
206/15.3
D329,144 S * 9/1992 Kurtz D4/199

* cited by examiner
Primary Examiner — Austin Murphy

(57) **CLAIM**
The ornamental design for a brush housing, as shown, and described.

DESCRIPTION
FIG. 1 is a front view of the brush housing;
FIG. 2 is a side view of the brush housing;
FIG. 3 is a top view of the brush housing;
FIG. 4 is a bottom view of the brush housing; and,
FIG. 5 is a perspective view of the brush housing.
The broken lines depict a brush that forms no part of the claimed design. The broken away portions indicate that a specific width, length and/or height of the housing are not claimed.

1 Claim, 5 Drawing Sheets



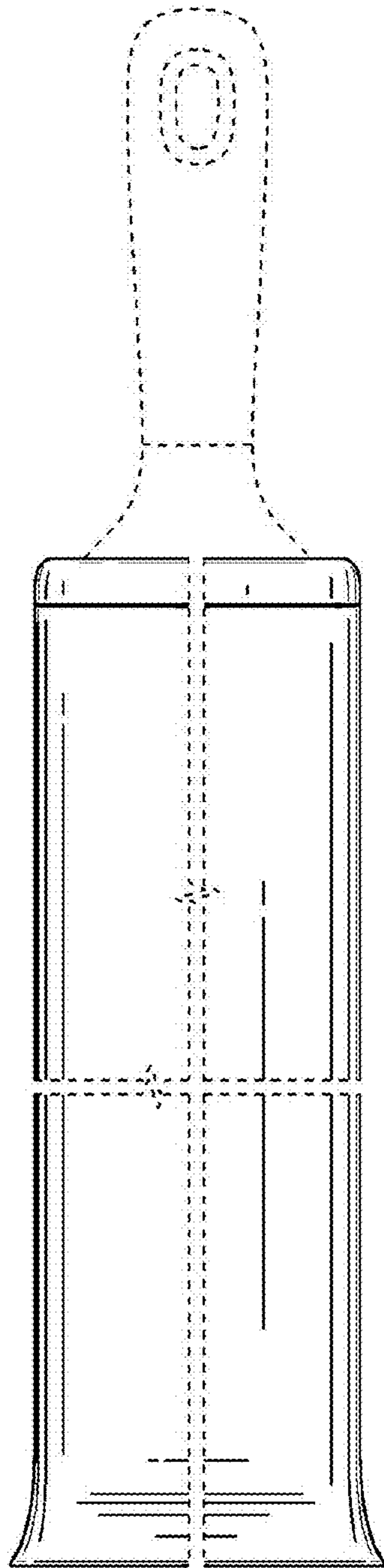


Figure 1

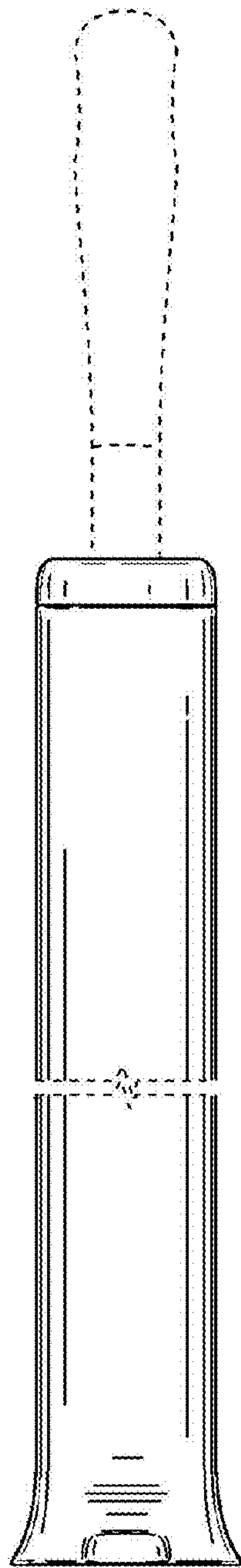


Figure 2

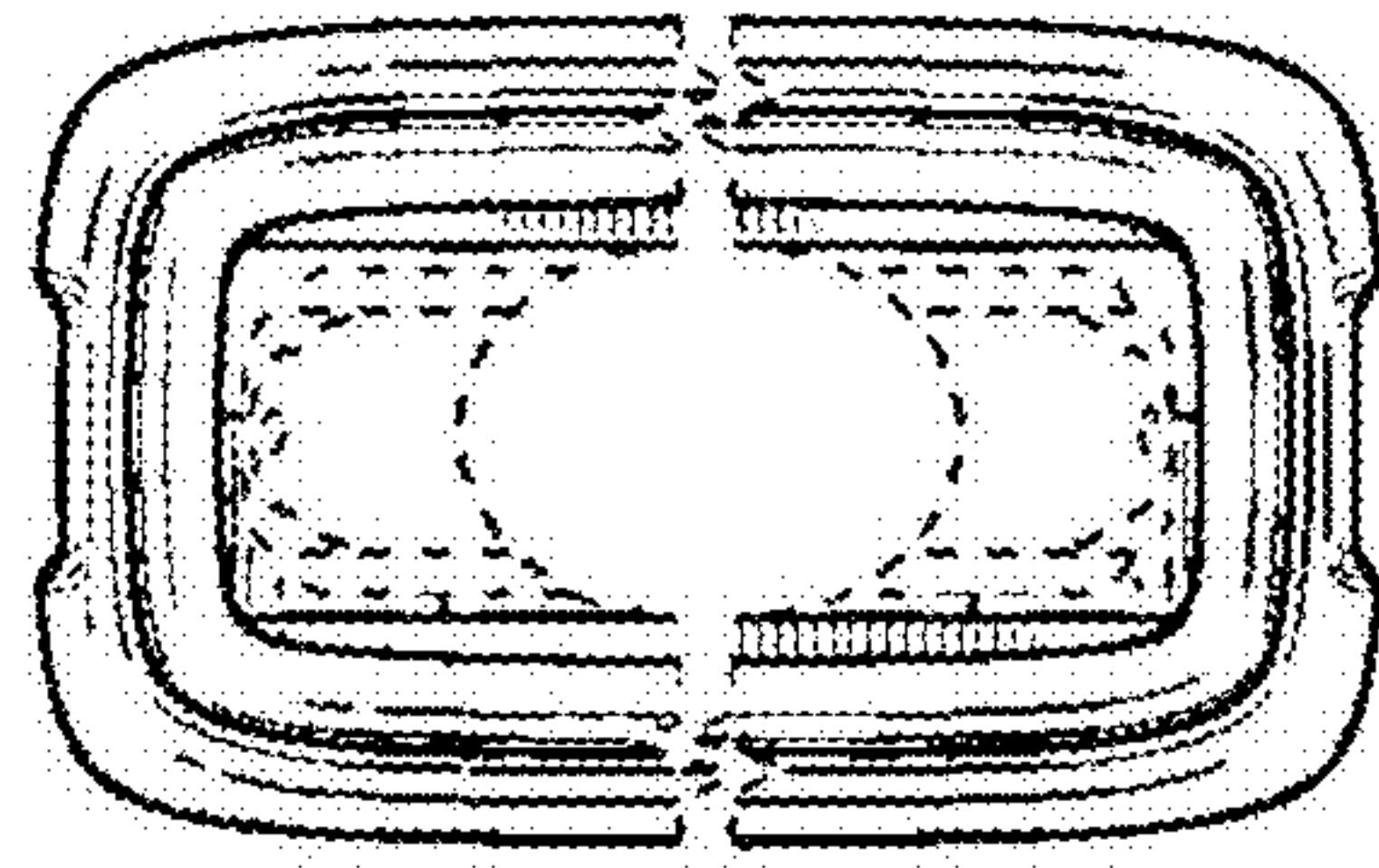


Figure 3

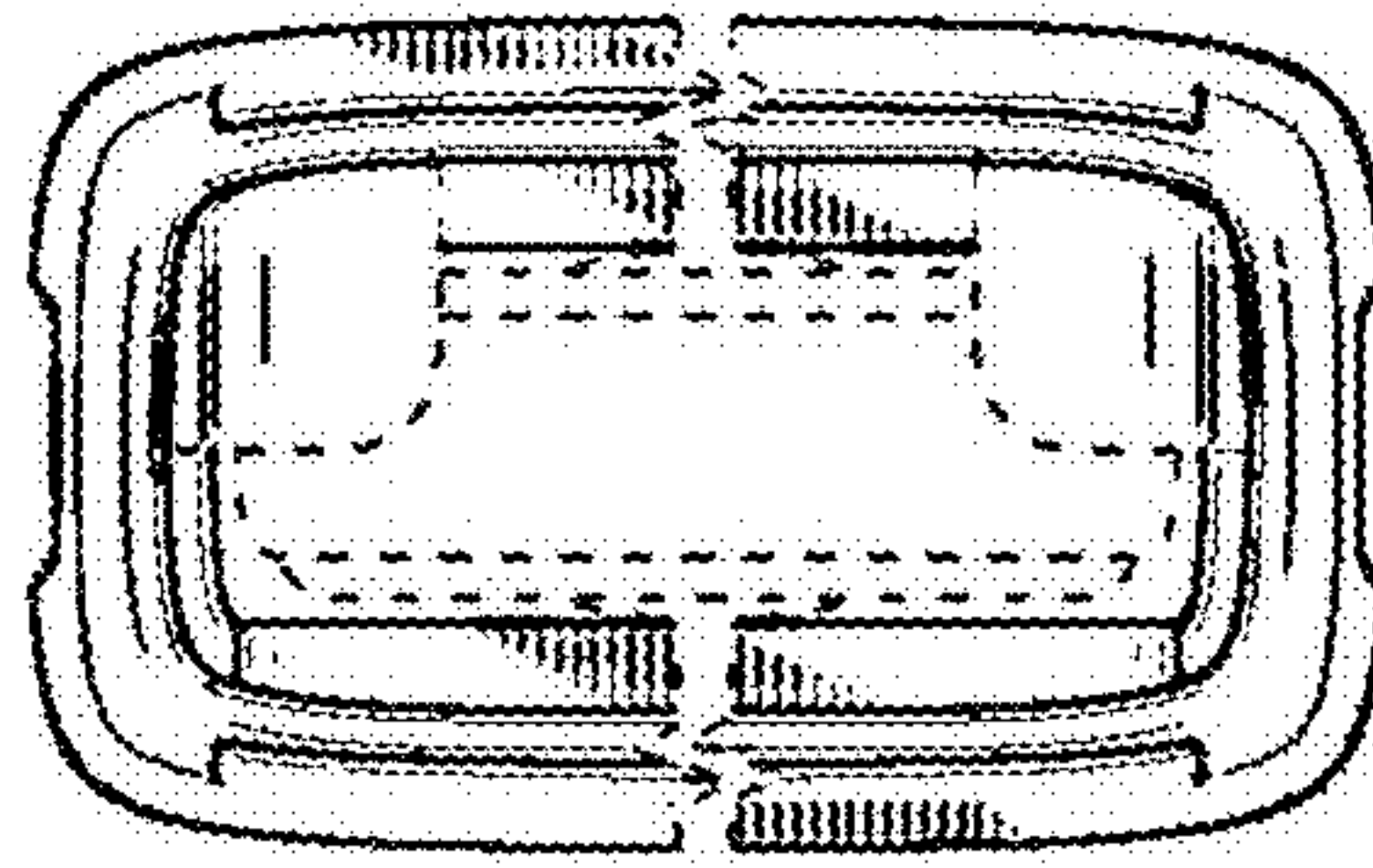


Figure 4

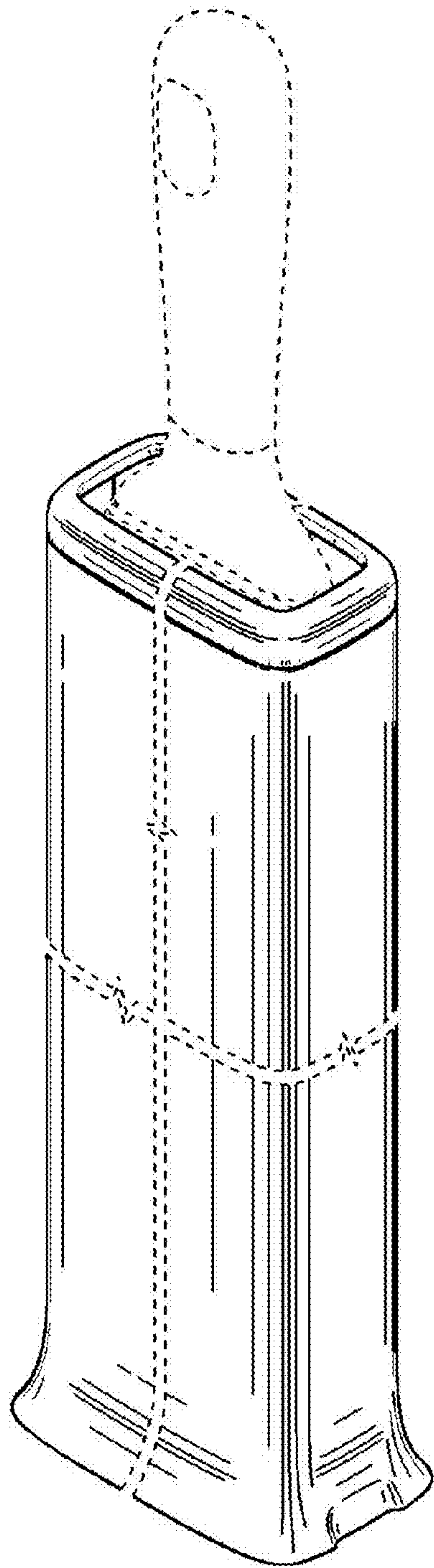


Figure 5