



US00D768992S

(12) **United States Design Patent**
Garyga

(10) **Patent No.:** **US D768,992 S**
(45) **Date of Patent:** **** Oct. 18, 2016**

(54) **LUGGAGE IDENTIFICATION STRAP**

(71) Applicant: **Margaret Garyga**, Concord, NC (US)

(72) Inventor: **Margaret Garyga**, Concord, NC (US)

(**) Term: **14 Years**

(21) Appl. No.: **29/523,602**

(22) Filed: **Apr. 10, 2015**

(51) **LOC (10) Cl.** **03-01**

(52) **U.S. Cl.**
USPC **D3/327**

(58) **Field of Classification Search**
USPC D3/327
CPC A45F 3/02; A45F 3/14
See application file for complete search history.

(56) **References Cited**

U.S. PATENT DOCUMENTS

| | | | | | |
|-----------|------|---------|-----------|-------|-----------------------|
| 4,862,563 | A * | 9/1989 | Flynn | | A44B 18/00 24/306 |
| 4,978,044 | A * | 12/1990 | Silver | | A45F 3/02 150/108 |
| 5,333,768 | A * | 8/1994 | Krentz | | A45F 3/14 224/623 |
| 5,460,126 | A * | 10/1995 | Szelewski | | A45F 3/14 119/859 |
| 5,660,309 | A * | 8/1997 | Belanger | | A45B 11/02 224/250 |
| 6,049,953 | A * | 4/2000 | McCay | | A44B 18/00 24/302 |
| D451,282 | S * | 12/2001 | Konkle | | D3/318 |
| 6,953,214 | B2 * | 10/2005 | Paz | | A45F 3/14 |

| | | | | | |
|----------|-----|---------|---------|-------|---------|
| | | | | | 294/152 |
| D564,761 | S * | 3/2008 | McGlenn | | D3/327 |
| D581,162 | S * | 11/2008 | Walker | | D3/202 |
| D675,023 | S * | 1/2013 | Colgan | | D3/327 |
| D704,937 | S * | 5/2014 | Cutler | | D3/327 |

* cited by examiner

Primary Examiner — Holly Baynham

(74) *Attorney, Agent, or Firm* — Dunlap Bennett & Ludwig PLLC

(57) **CLAIM**

The ornamental design for a luggage identification strap, as shown and described.

DESCRIPTION

FIG. 1 is a front perspective view of a luggage identification strap, shown in use;

FIG. 2 is a front perspective view thereof;

FIG. 3 is a front elevation view thereof; the rear elevation view being an identical image thereof;

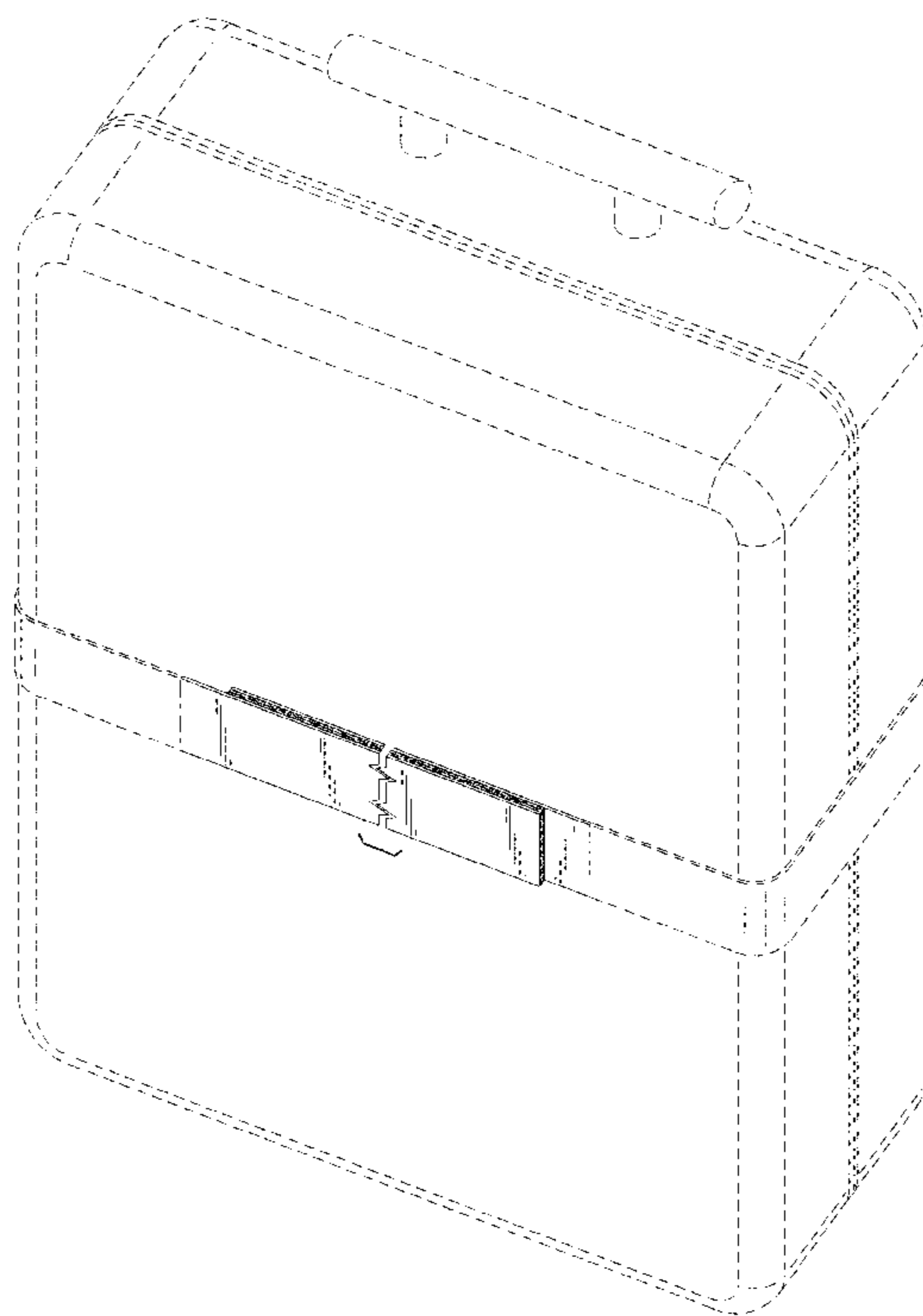
FIG. 4 is a left side elevation view thereof; the right side elevation view being an identical image thereof; and,

FIG. 5 is a top plan view thereof; the bottom plan view being a mirror image thereof.

The broken lines shown in the drawings illustrate portions of the luggage identification strap that form no part of the claimed design.

The cutaway symbols illustrated in break lines in the drawings indicate a symbolic break in the length of the design for the luggage identification strap indicating an indeterminate length. The appearance of any portion of the article between the break lines forms no part of the claimed design.

1 Claim, 3 Drawing Sheets



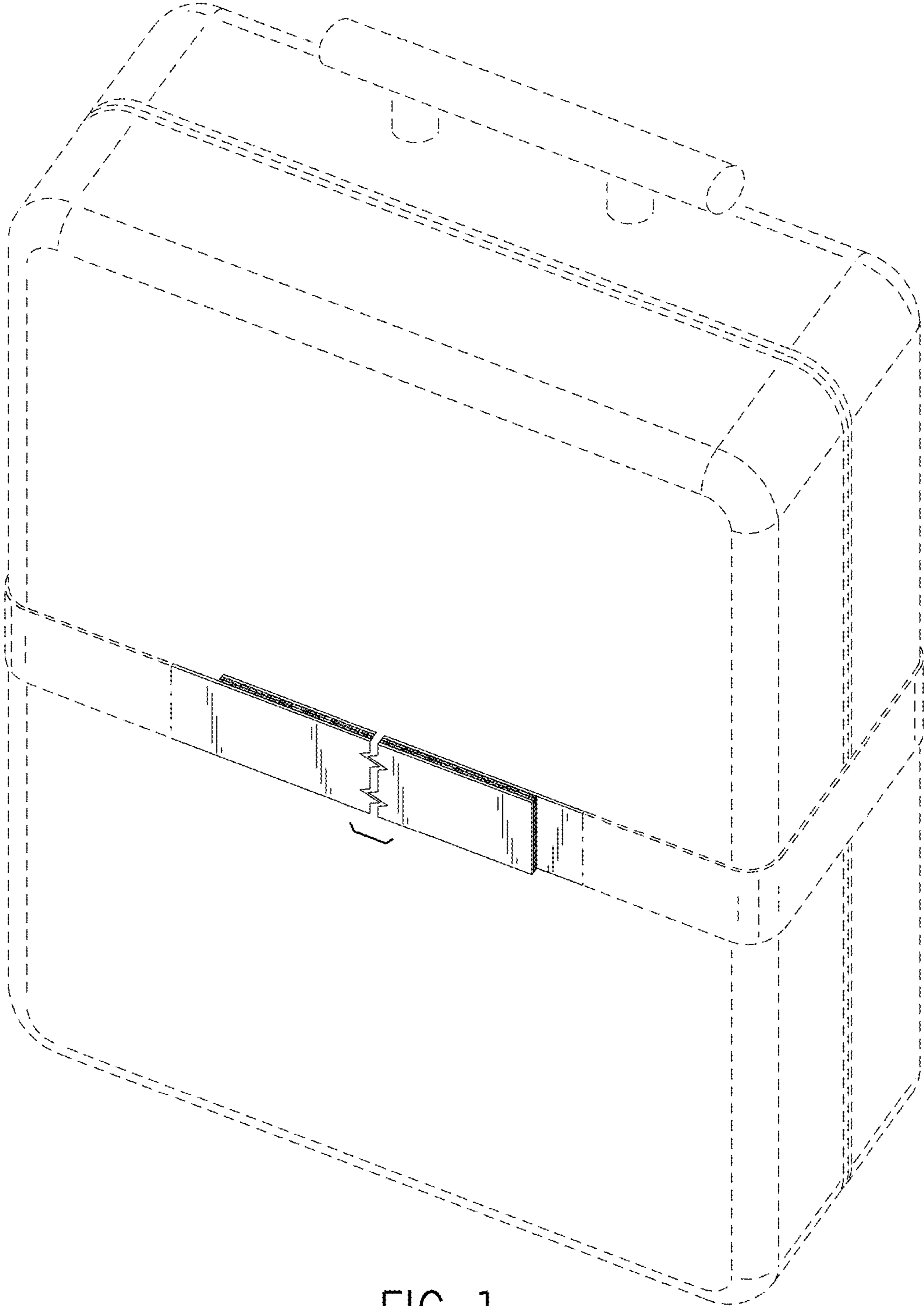


FIG. 1

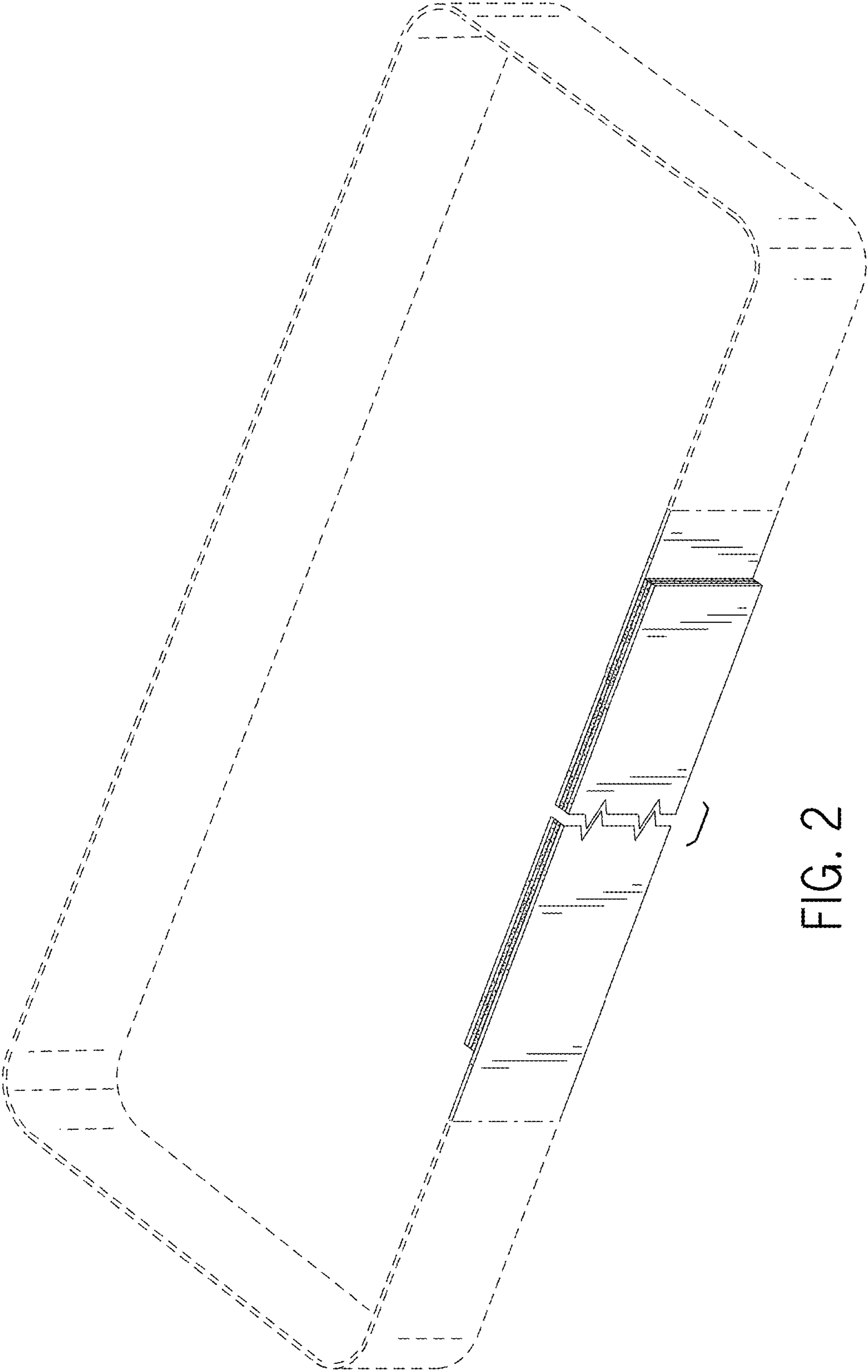


FIG. 2

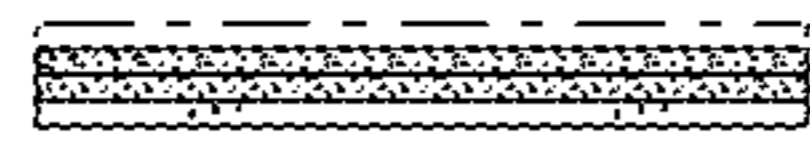


FIG. 4

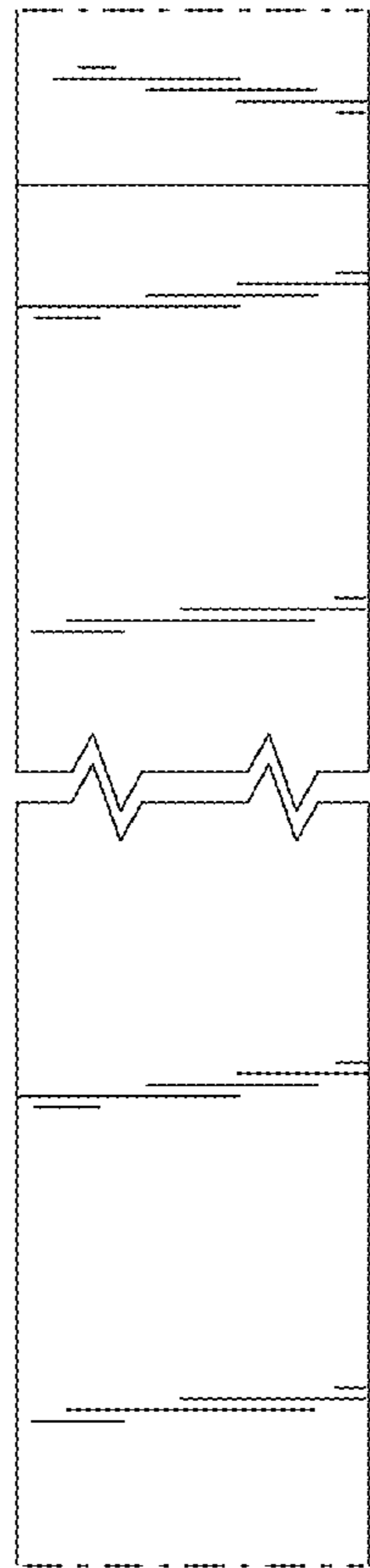


FIG. 3



FIG. 5