



US00D768986S

(12) **United States Design Patent** (10) **Patent No.:** **US D768,986 S**
Parker (45) **Date of Patent:** **** Oct. 18, 2016**

(54) **VALUABLES ORGANIZER**
(71) Applicant: **Pilar Parker**, Ventura, CA (US)
(72) Inventor: **Pilar Parker**, Ventura, CA (US)
(**) Term: **14 Years**
(21) Appl. No.: **29/526,560**

(22) Filed: **May 11, 2015**
(51) **LOC (10) Cl.** **03-01**
(52) **U.S. Cl.**
USPC **D3/310**
(58) **Field of Classification Search**
USPC D3/200-201, 203.1, 203.3, 205-206,
D3/304-315; D6/672, 675; D19/75, 77,
D19/86, 90, 92
CPC A47G 23/0641; A47G 23/0625
See application file for complete search history.

(56) **References Cited**
U.S. PATENT DOCUMENTS
D256,809 S * 9/1980 Evenson D19/75
D301,590 S * 6/1989 Foran D19/77
D337,351 S 7/1993 Chern
5,265,735 A * 11/1993 Hassel G06F 3/0202
206/214
D397,274 S * 8/1998 Hise D7/637
D408,655 S 4/1999 Khalaj
D444,302 S 7/2001 Jones
D446,063 S 8/2001 Quinn
D455,921 S * 4/2002 Quinn D3/304

D456,191 S 4/2002 Bonin
D472,711 S * 4/2003 Chen D3/313
D495,139 S * 8/2004 Sullivan D3/310
D497,184 S * 10/2004 Bain D19/75
D506,086 S 6/2005 Cassell
D696,049 S 12/2013 Hsu et al.
D713,455 S * 9/2014 Chuang D19/78
D713,456 S * 9/2014 Chuang D19/78
D725,911 S * 4/2015 McManus D3/315
D727,623 S * 4/2015 Nickell D3/313
2008/0000914 A1 1/2008 Frankenstein et al.

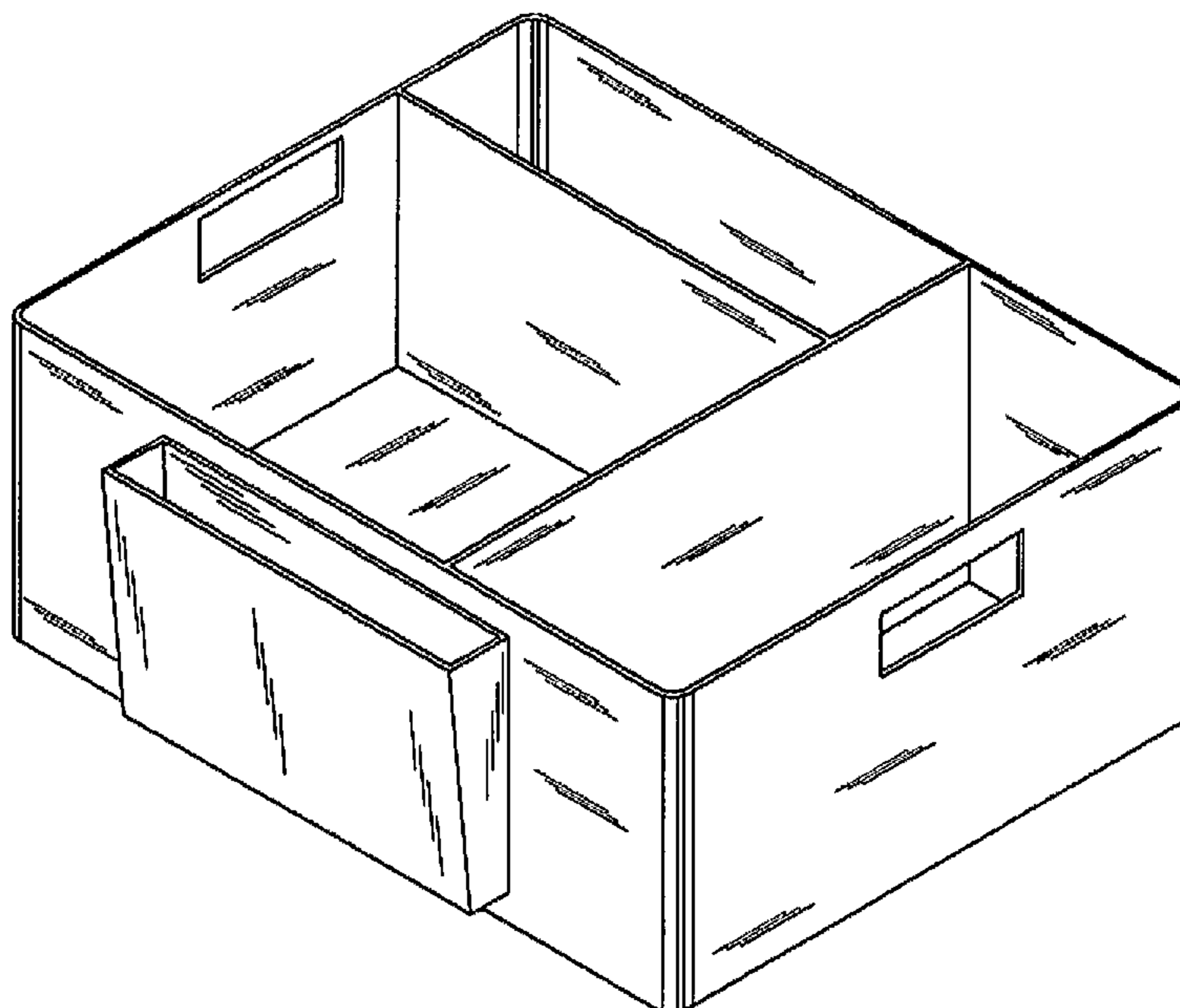
* cited by examiner
Primary Examiner — Kelley Donnelly
(74) *Attorney, Agent, or Firm* — Richard L. Miller

(57) **CLAIM**
The ornamental design for a valuables organizer, as shown and described.

DESCRIPTION

FIG. 1 is a perspective view of a valuables organizer showing my new design;
FIG. 2 is a front elevational view thereof, it being understood that a rear elevational view is a mirror image thereof;
FIG. 3 is a top plan view thereof;
FIG. 4 is a right side view thereof;
FIG. 5 is a left side view thereof;
FIG. 6 is a bottom plan view thereof;
FIG. 7 is a cross sectional view thereof, taken along line 7-7 in FIG. 3; and,
FIG. 8 is a cross sectional view thereof, taken along line 8-8 in FIG. 3.

1 Claim, 3 Drawing Sheets



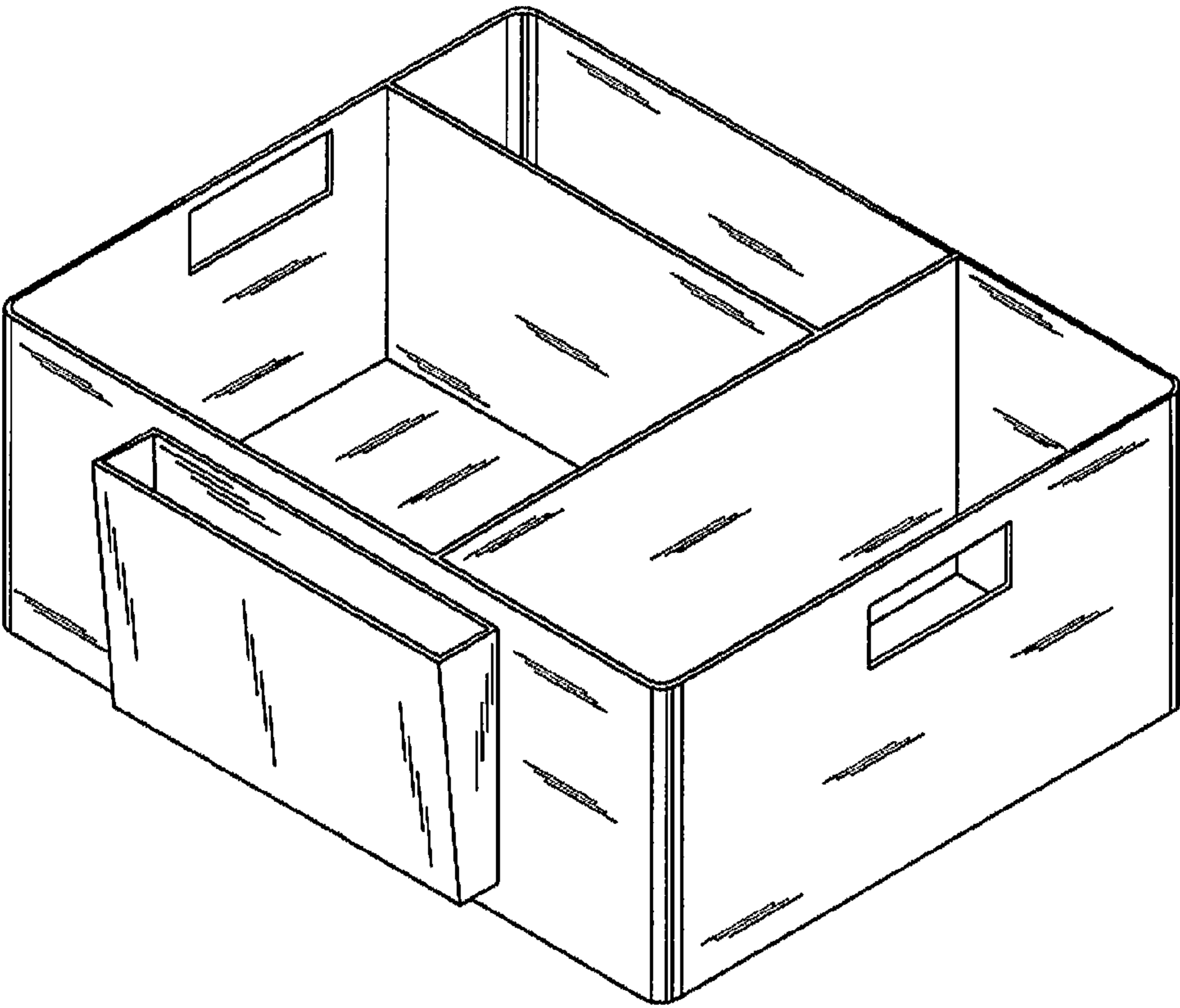


Fig.1

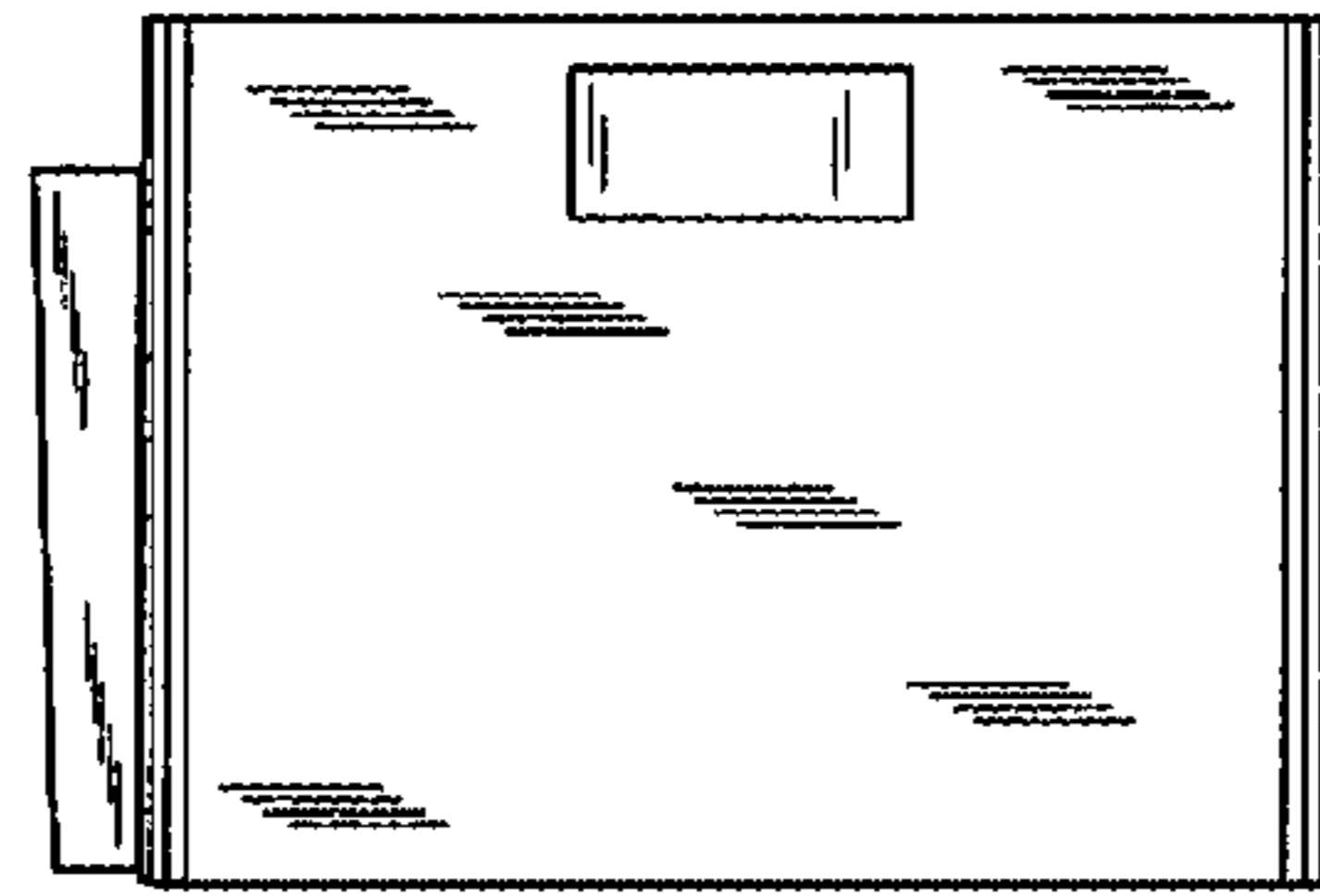


Fig. 2

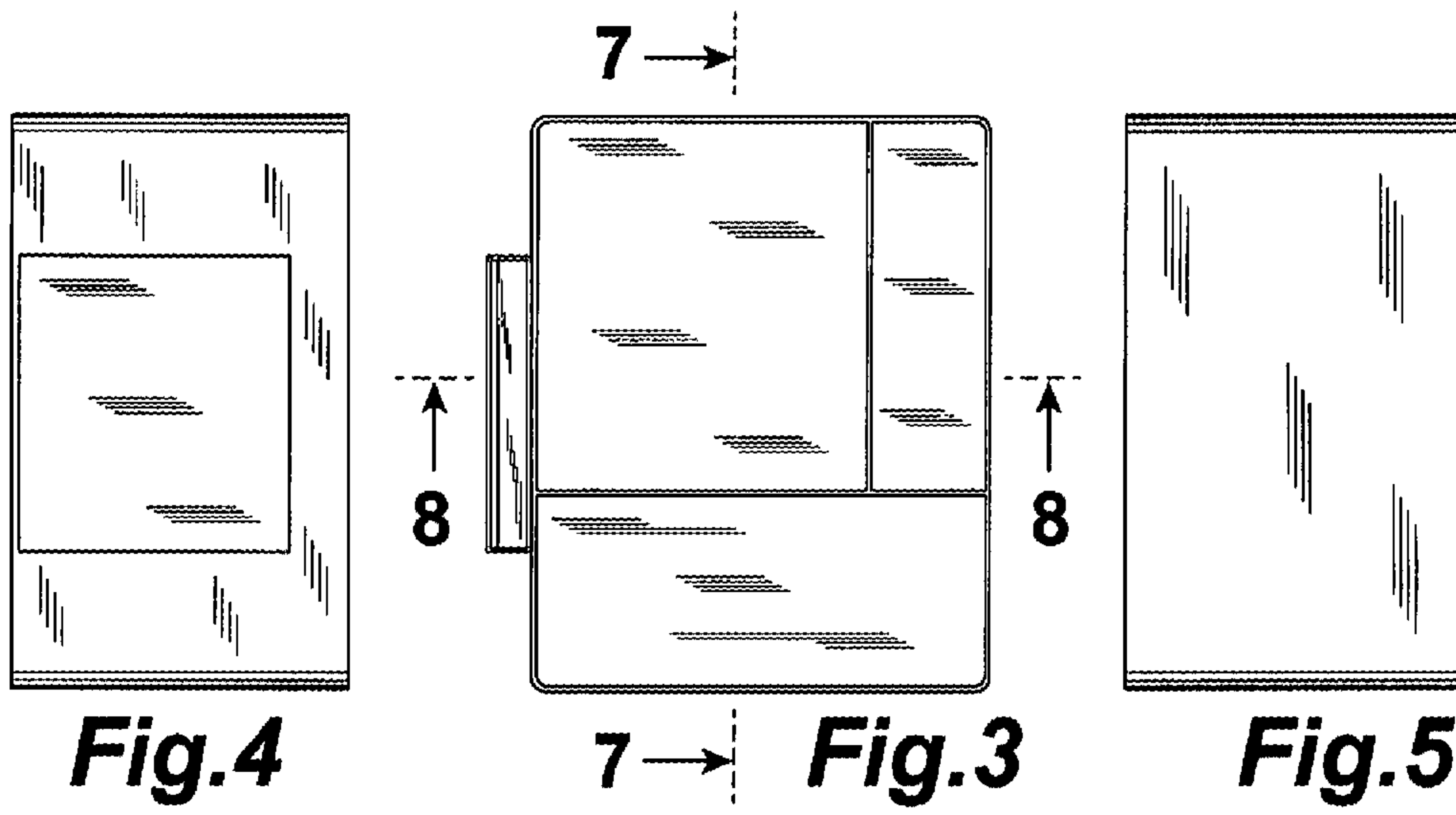


Fig. 4

7 → Fig. 3

Fig. 5

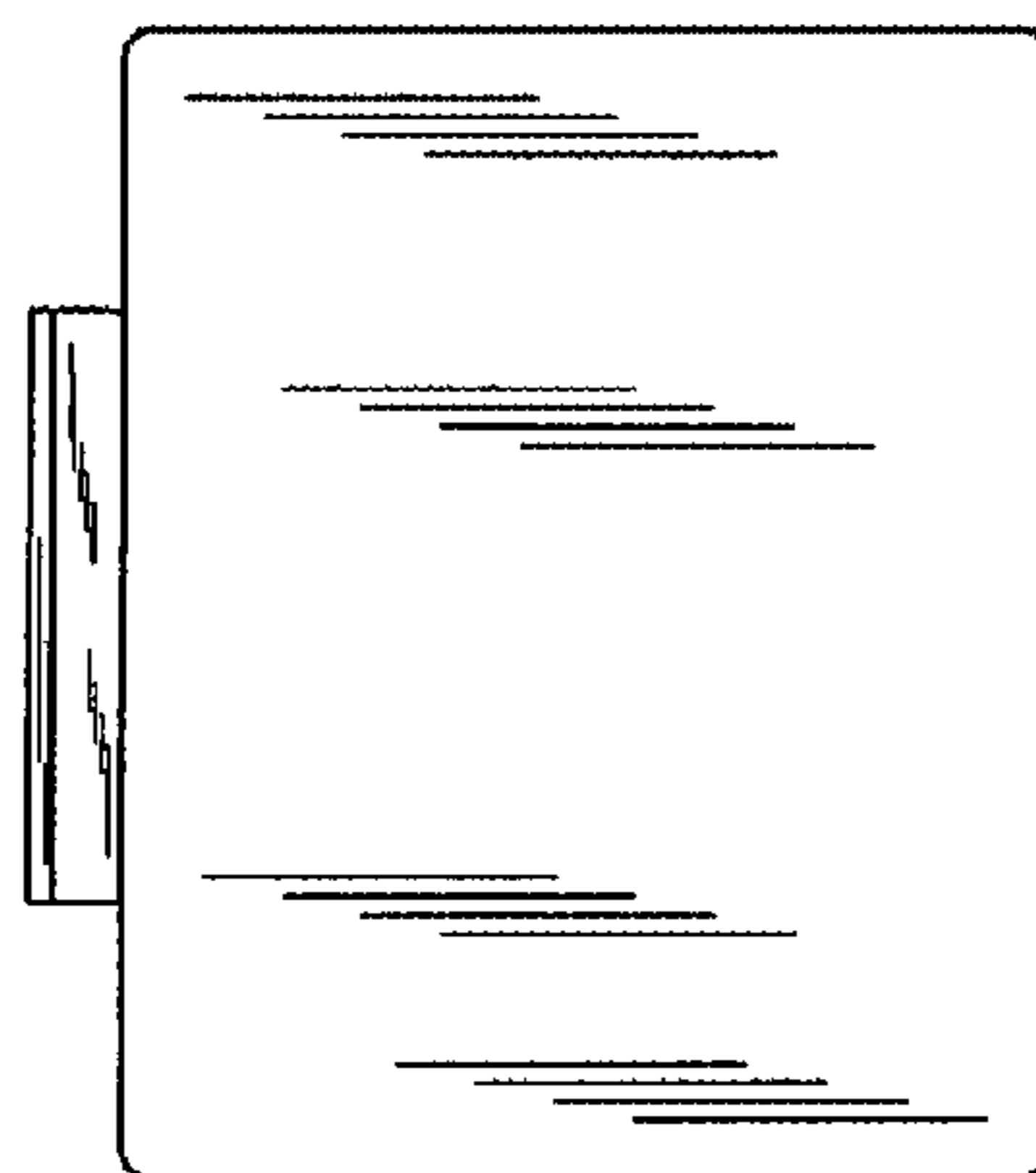


Fig. 6

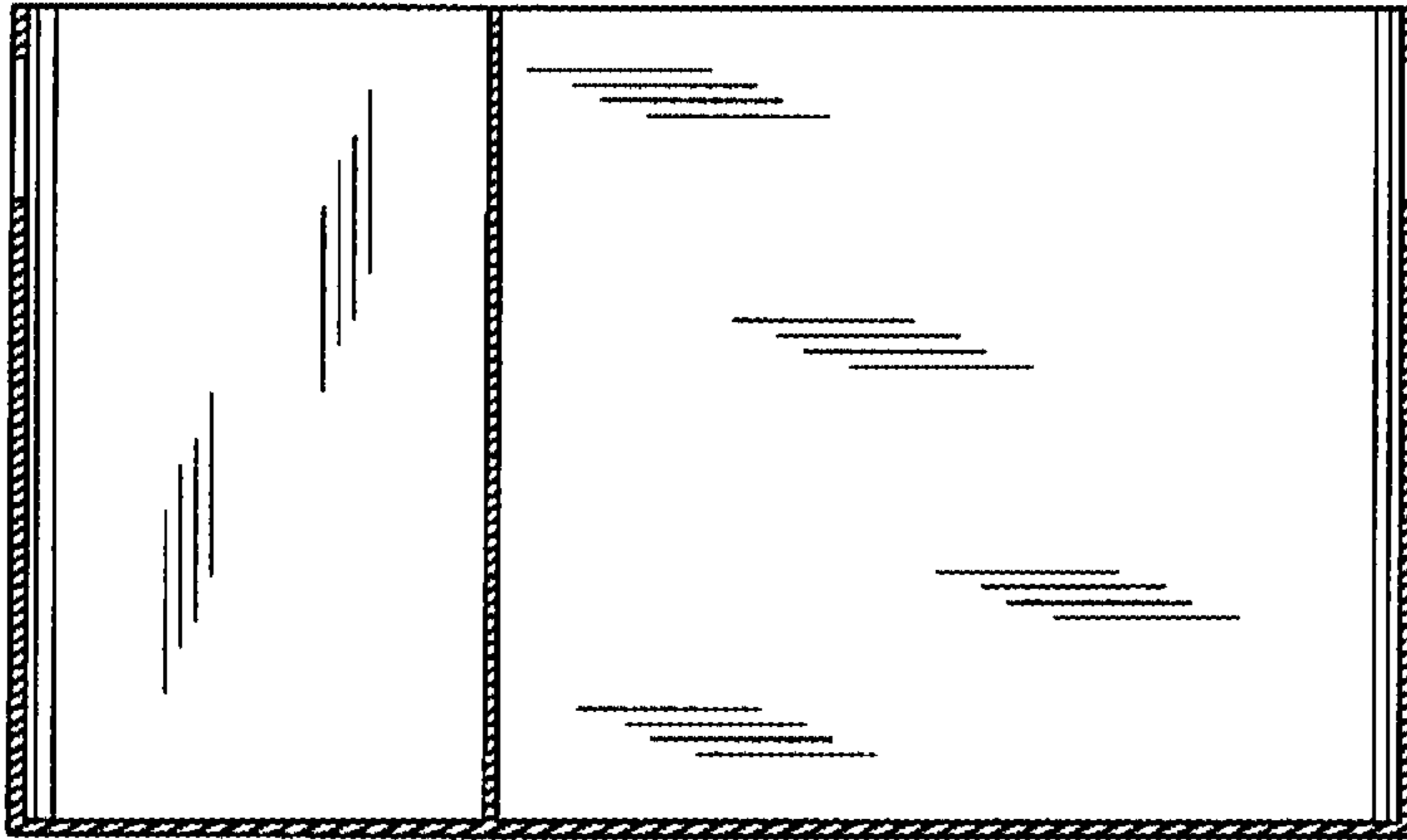


Fig. 7

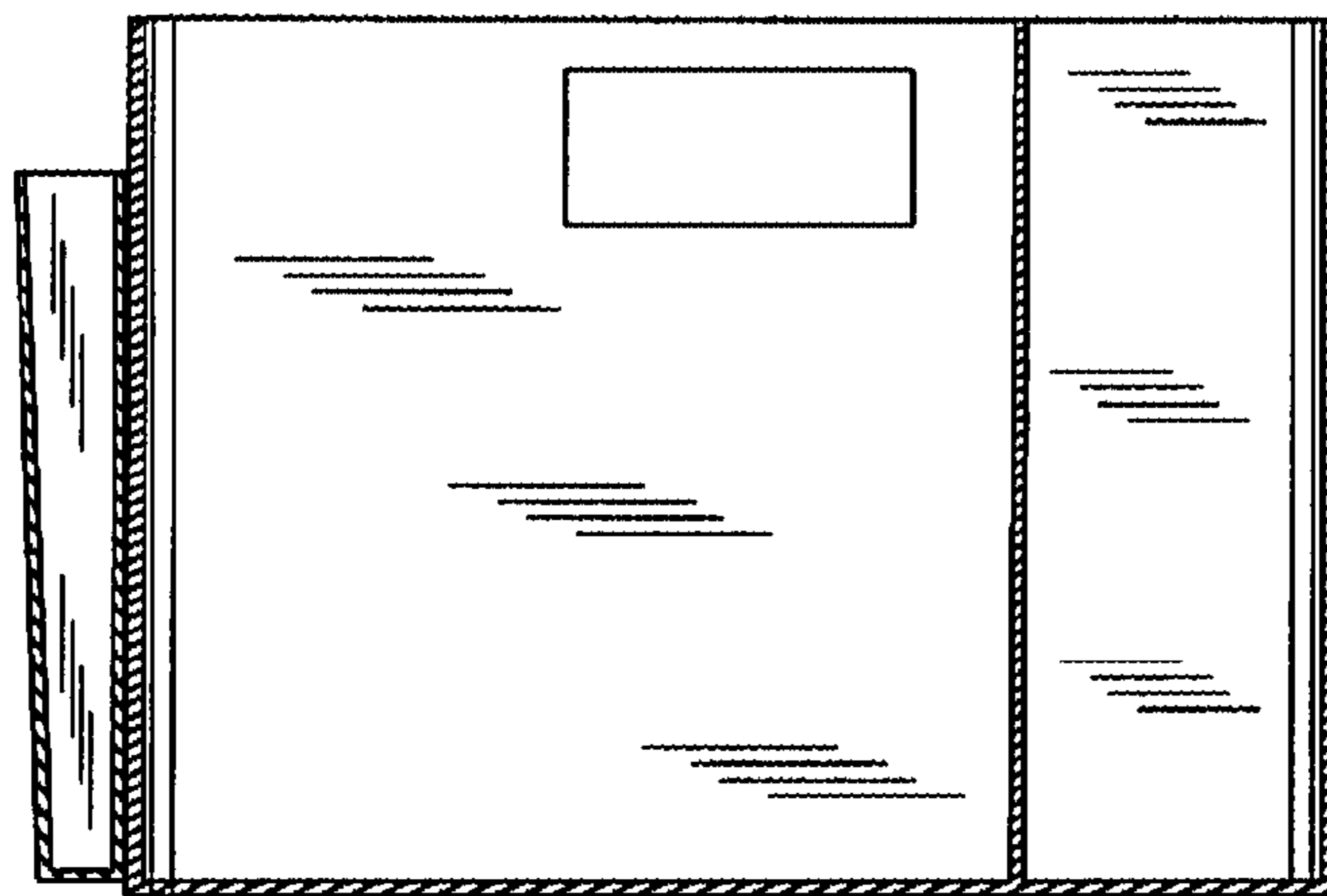


Fig. 8