

US00D768982S

(12) **United States Design Patent**
Stewart

(10) **Patent No.:** **US D768,982 S**

(45) **Date of Patent:** **** Oct. 18, 2016**

- (54) **CELL PHONE HOLSTER**
- (71) Applicant: **Joe Stewart**, Renton, WA (US)
- (72) Inventor: **Joe Stewart**, Renton, WA (US)
- (**) Term: **15 Years**
- (21) Appl. No.: **29/533,674**
- (22) Filed: **Jul. 21, 2015**
- (51) **LOC (10) Cl.** **03-01**
- (52) **U.S. Cl.**
USPC **D3/218**
- (58) **Field of Classification Search**
USPC D3/218, 215, 224, 226, 221, 222-223;
224/901, 904, 219, 222, 267, 269, 624,
224/191-193, 198, 236, 242-243, 911-912,
224/245, 605, 197
CPC A45F 5/00; A45F 5/02; A45F 5/021;
A45F 2200/0516; A45F 3/02; A45F 3/14;
A45C 2011/002; A45C 11/00
See application file for complete search history.

5,586,704	A *	12/1996	Alexander	A45F 5/00 224/605
5,653,367	A *	8/1997	Abramson	A45F 3/14 224/197
D396,553	S *	8/1998	Mecham	D3/218
D411,916	S *	7/1999	Jackson	D3/218
6,375,056	B1	4/2002	Henri		
D467,727	S	12/2002	Kobayashi		
D490,237	S	5/2004	Hardge		
6,880,737	B2	4/2005	Bauer		
D524,042	S *	7/2006	Lavine	D3/218
2002/0130150	A1	9/2002	Stanley		
2006/0243771	A1	11/2006	Davila		
2007/0205244	A1	9/2007	Hewes		

FOREIGN PATENT DOCUMENTS

WO WO2004037710 A2 5/2004

* cited by examiner

Primary Examiner — Catheri Oliver-Garcia

(57) **CLAIM**

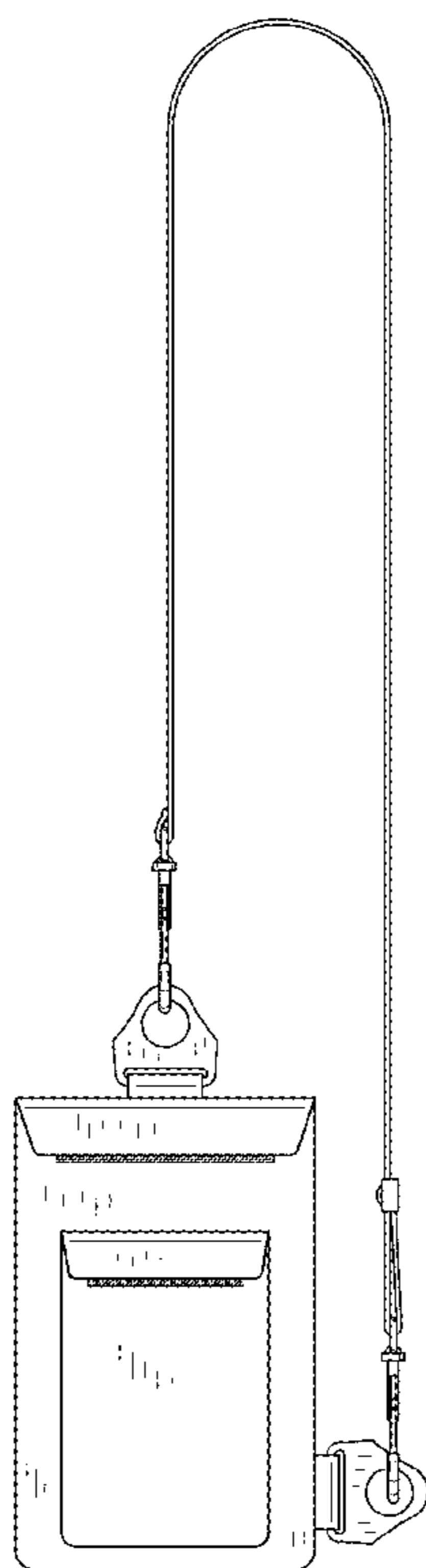
I claim the ornamental design for a cell phone holster, as shown and described.

DESCRIPTION

FIG. 1 is a front view of the cell phone holster.
 FIG. 2 is a rear view of the claimed design.
 FIG. 3 is a left side view of the claimed design.
 FIG. 4 is a right side view of the claimed design.
 FIG. 5 is a top view of the claimed design; and,
 FIG. 6 is a bottom view of the claimed design.

1 Claim, 4 Drawing Sheets

- (56) **References Cited**
U.S. PATENT DOCUMENTS
D346,495 S * 5/1994 Morrissey D3/218
5,358,159 A * 10/1994 Lundie, Jr. A45F 5/00
224/245
D370,776 S * 6/1996 Frey 224/624
D373,018 S * 8/1996 Alberti D3/218



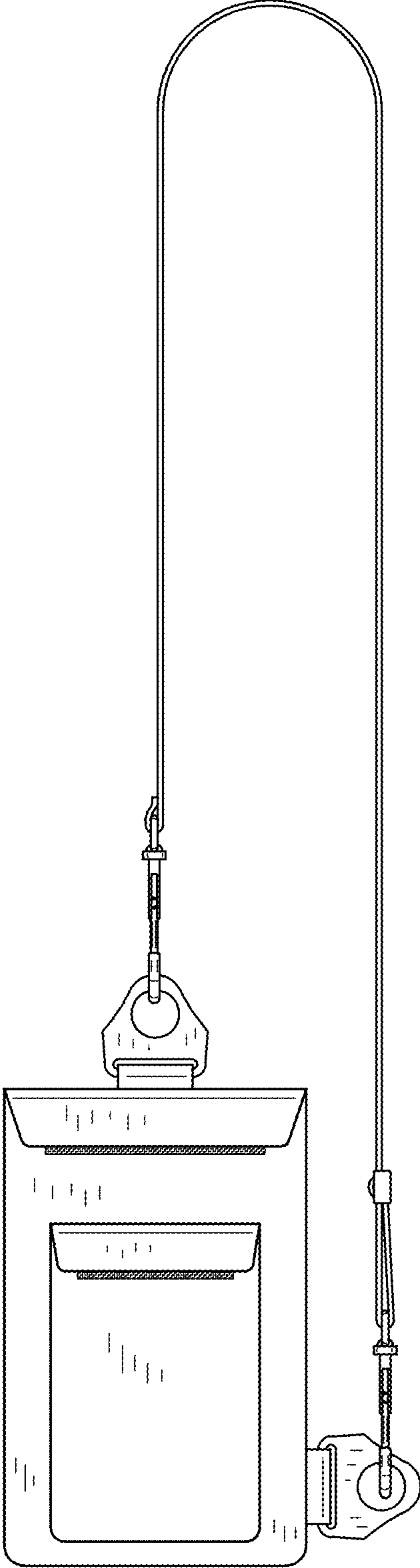


FIG. 1

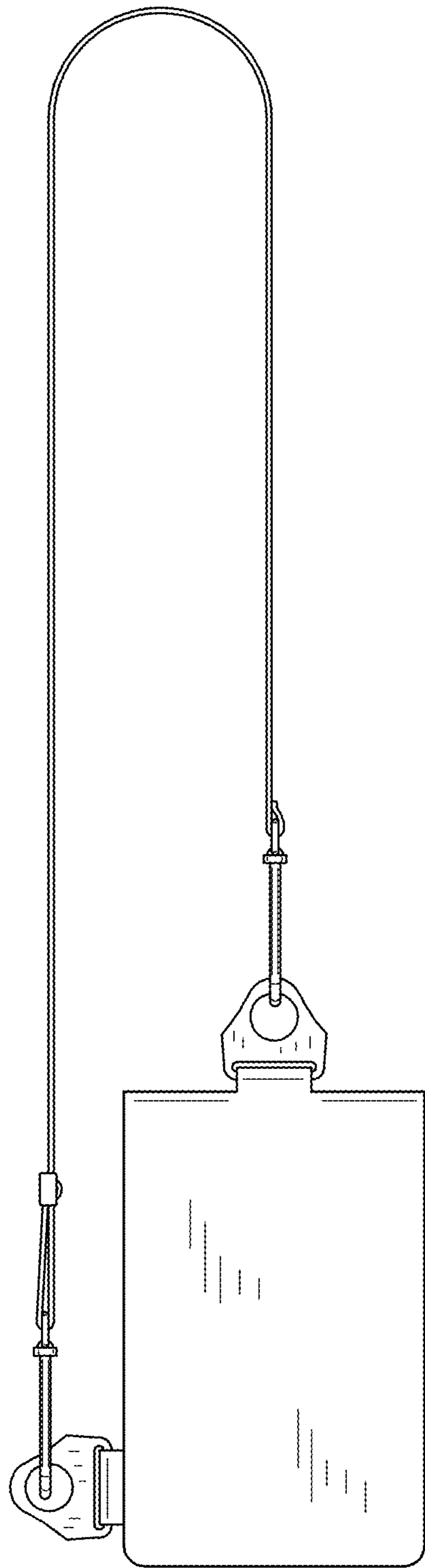


FIG. 2

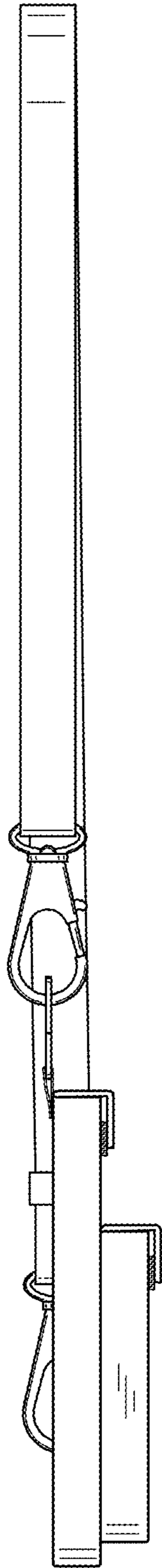


FIG. 3

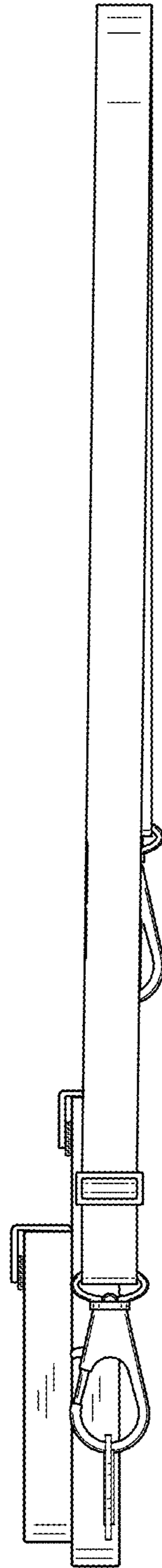


FIG. 4

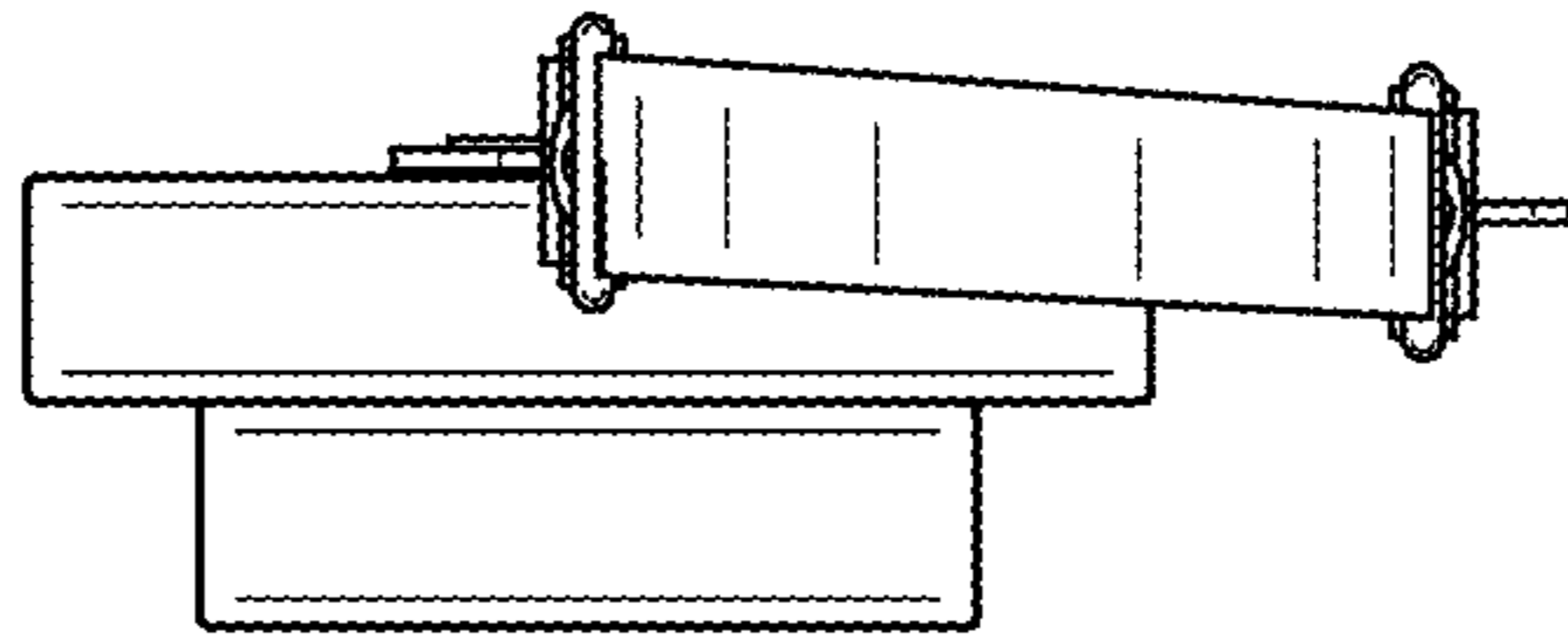


FIG. 5

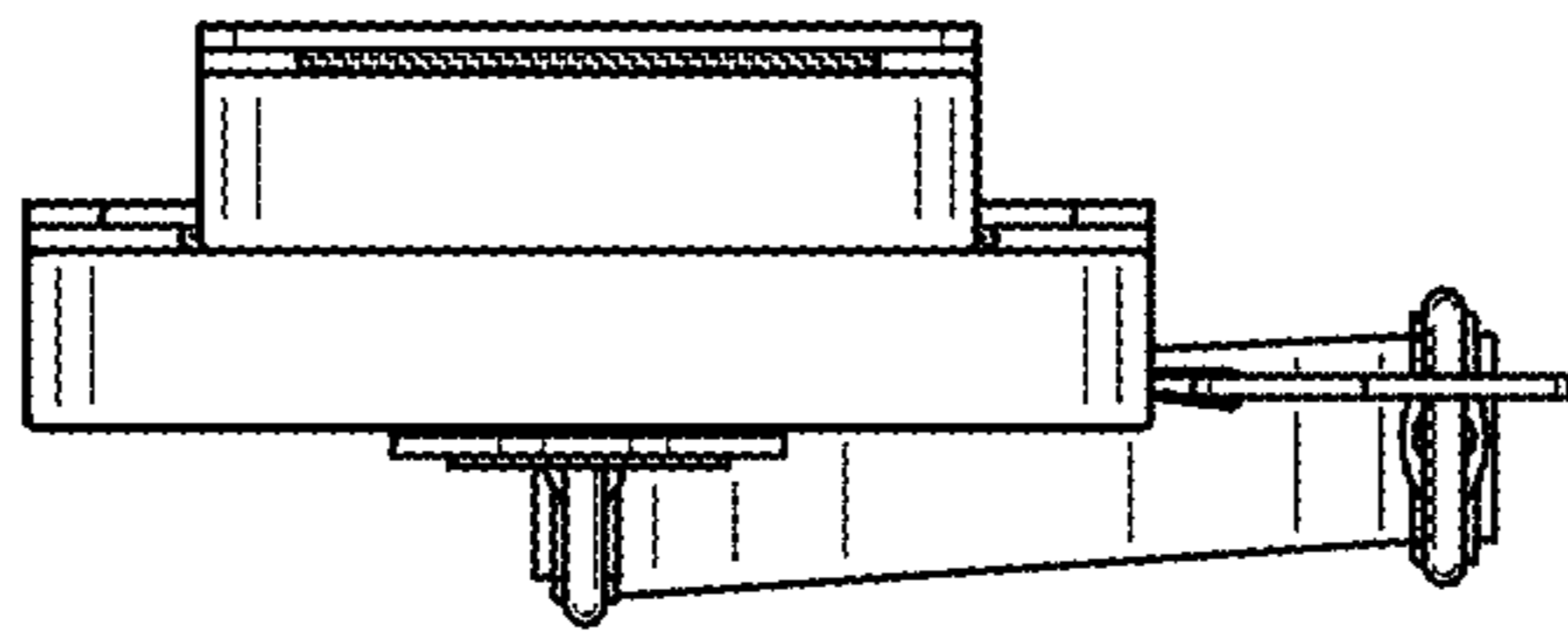


FIG. 6