



US00D768981S

(12) **United States Design Patent** (10) **Patent No.:** **US D768,981 S**  
**Kliot** (45) **Date of Patent:** **\*\* \*Oct. 18, 2016**

- (54) **BACKPACK FOR FOOTWEAR**
- (71) Applicant: **Eugene Kliot**, Briarcliff Manor, NY (US)
- (72) Inventor: **Eugene Kliot**, Briarcliff Manor, NY (US)
- (73) Assignee: **Visual Impact Films Corp**, Hartsdale, NY (US)
- (\* ) Notice: This patent is subject to a terminal disclaimer.
- (\*\*) Term: **14 Years**
- (21) Appl. No.: **29/507,579**
- (22) Filed: **Oct. 29, 2014**
- (51) **LOC (10) Cl.** ..... **03-01**
- (52) **U.S. Cl.**  
USPC ..... **D3/217**
- (58) **Field of Classification Search**  
USPC ..... D3/215, 216, 217, 221, 222, 224, 225, D3/261, 262, 269, 273, 289, 290  
CPC ..... A45F 3/04; A45F 3/042; A45F 3/08; A45F 3/10; A45F 3/14; A45F 4/02; A45F 4/08; A45F 2200/05; A45F 2200/0525; A45C 13/08; A45C 13/083  
See application file for complete search history.

5,509,589	A *	4/1996	Kliot	.....	224/637
5,826,771	A *	10/1998	Peng	.....	224/651
5,950,895	A *	9/1999	Zakarin	.....	224/645
D457,307	S *	5/2002	Pukall et al.	.....	D3/217
D557,009	S *	12/2007	Elmberg et al.	.....	D3/217
D635,762	S *	4/2011	Fahim	.....	D3/217
D732,287	S *	6/2015	Clark	.....	D3/217
D734,942	S *	7/2015	Robinson et al.	.....	D3/217
2005/0133399	A1 *	6/2005	Fidrych	.....	206/545
2007/0235490	A1 *	10/2007	Katz et al.	.....	224/579
2008/0029562	A1 *	2/2008	Hawkins et al.	.....	224/153
2010/0108730	A1 *	5/2010	Sabbah	.....	224/651
2011/0180575	A1 *	7/2011	Abramowitz et al.	.....	224/259
2013/0026204	A1 *	1/2013	Abramowitz et al.	.....	224/613
2015/0129629	A1 *	5/2015	Voggenthaler et al.	.....	224/645

\* cited by examiner

*Primary Examiner* — John Windmuller  
*Assistant Examiner* — Steven Czyz  
 (74) *Attorney, Agent, or Firm* — James A. Quinton

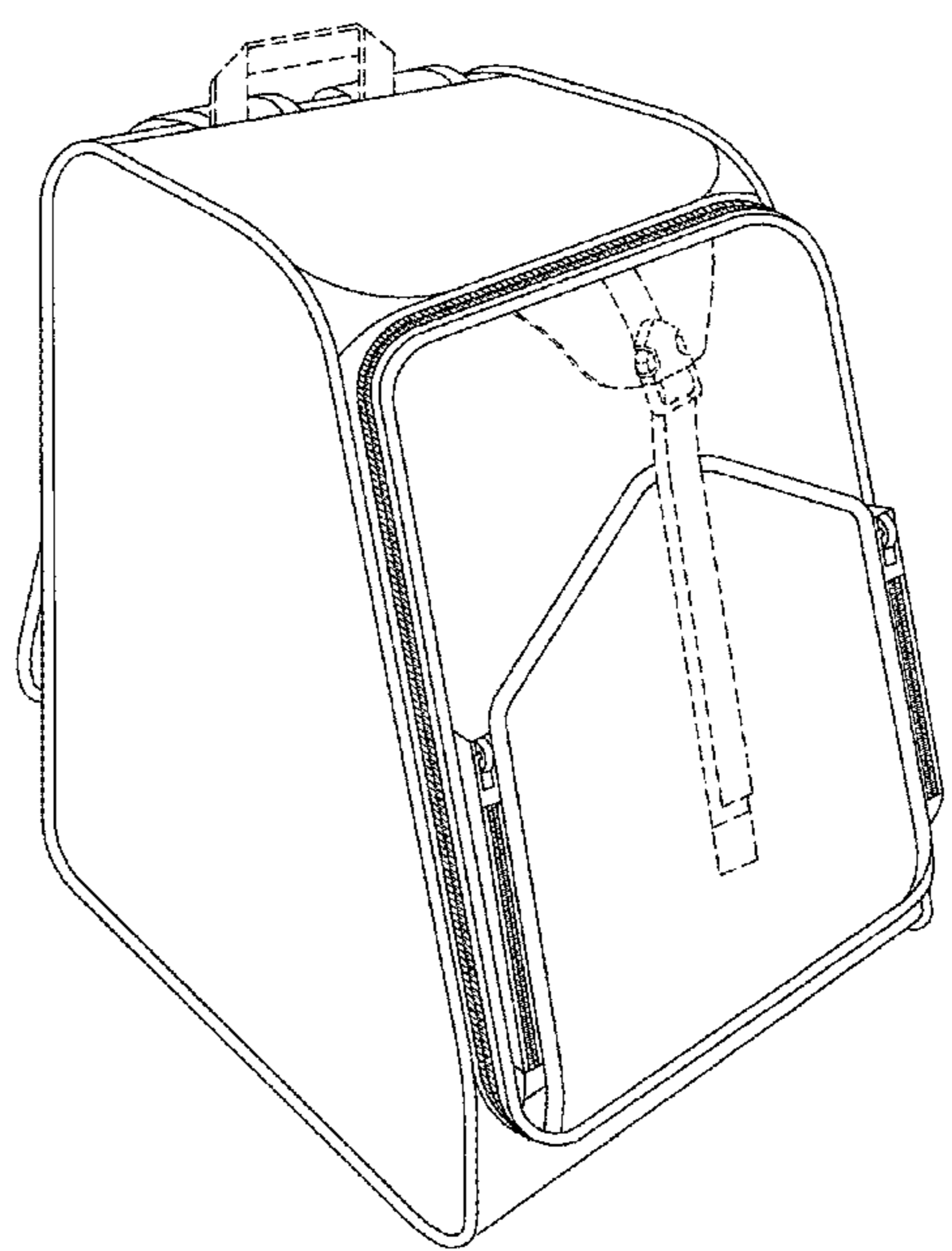
(57) **CLAIM**  
 The ornamental design for backpack for footwear, as shown and described.

**DESCRIPTION**

FIG. 1 is a top front left side perspective view of a backpack for footwear according to the invention.  
 FIG. 2 is a front elevational view thereof.  
 FIG. 3 is a top view thereof.  
 FIG. 4 is a left side view thereof.  
 FIG. 5 is a right side view thereof.  
 FIG. 6 is a rear view thereof; and,  
 FIG. 7 is a bottom view thereof.  
 The broken lines depict portions of the article that form no part of the claimed design.

**1 Claim, 7 Drawing Sheets**

- (56) **References Cited**  
 U.S. PATENT DOCUMENTS  
 D293,391 S \* 12/1987 Preston ..... D3/269  
 4,979,658 A \* 12/1990 Baker ..... 224/153  
 D367,173 S \* 2/1996 Trihus ..... D3/317



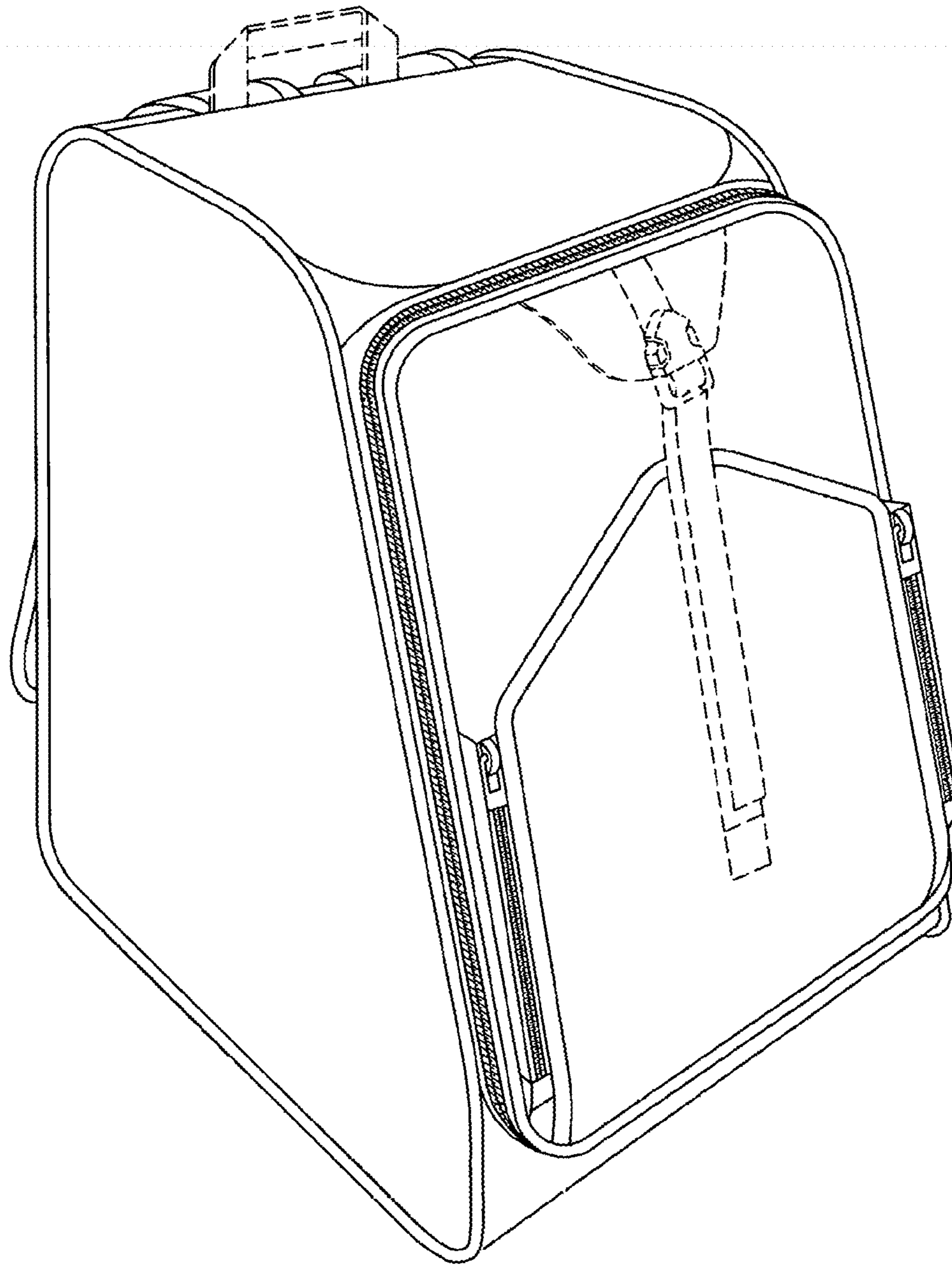


FIG. 1

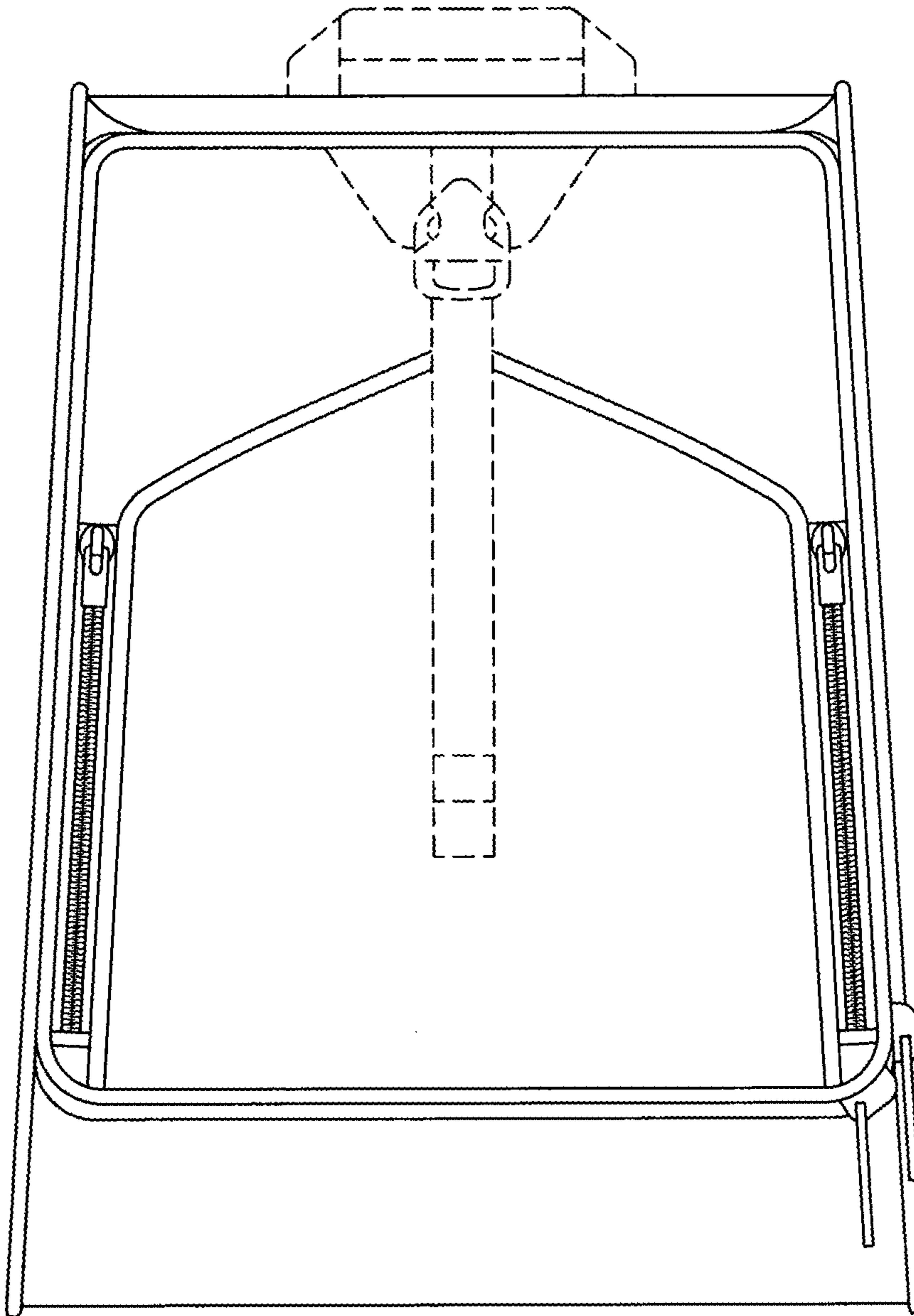


FIG.2

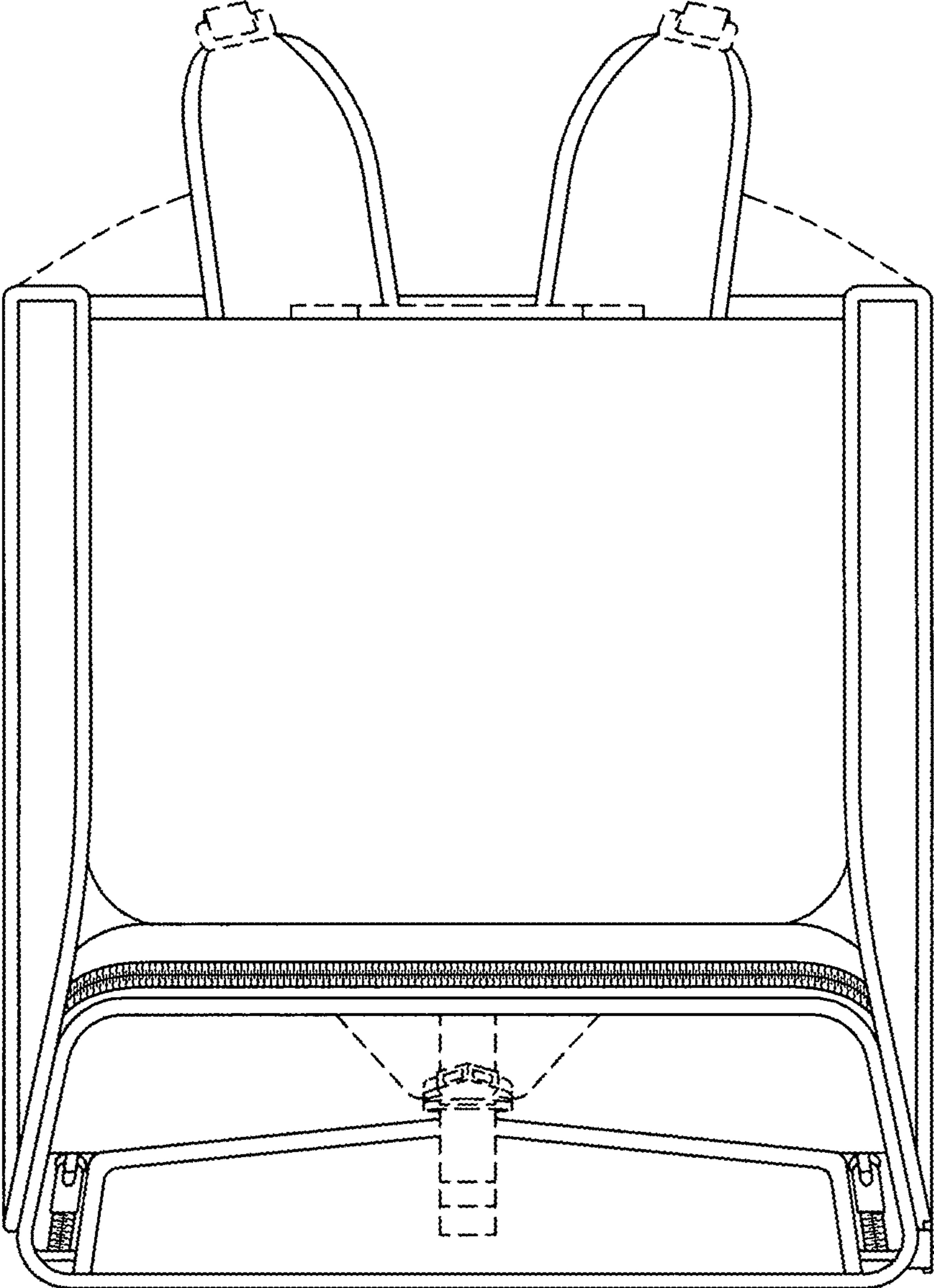


FIG.3

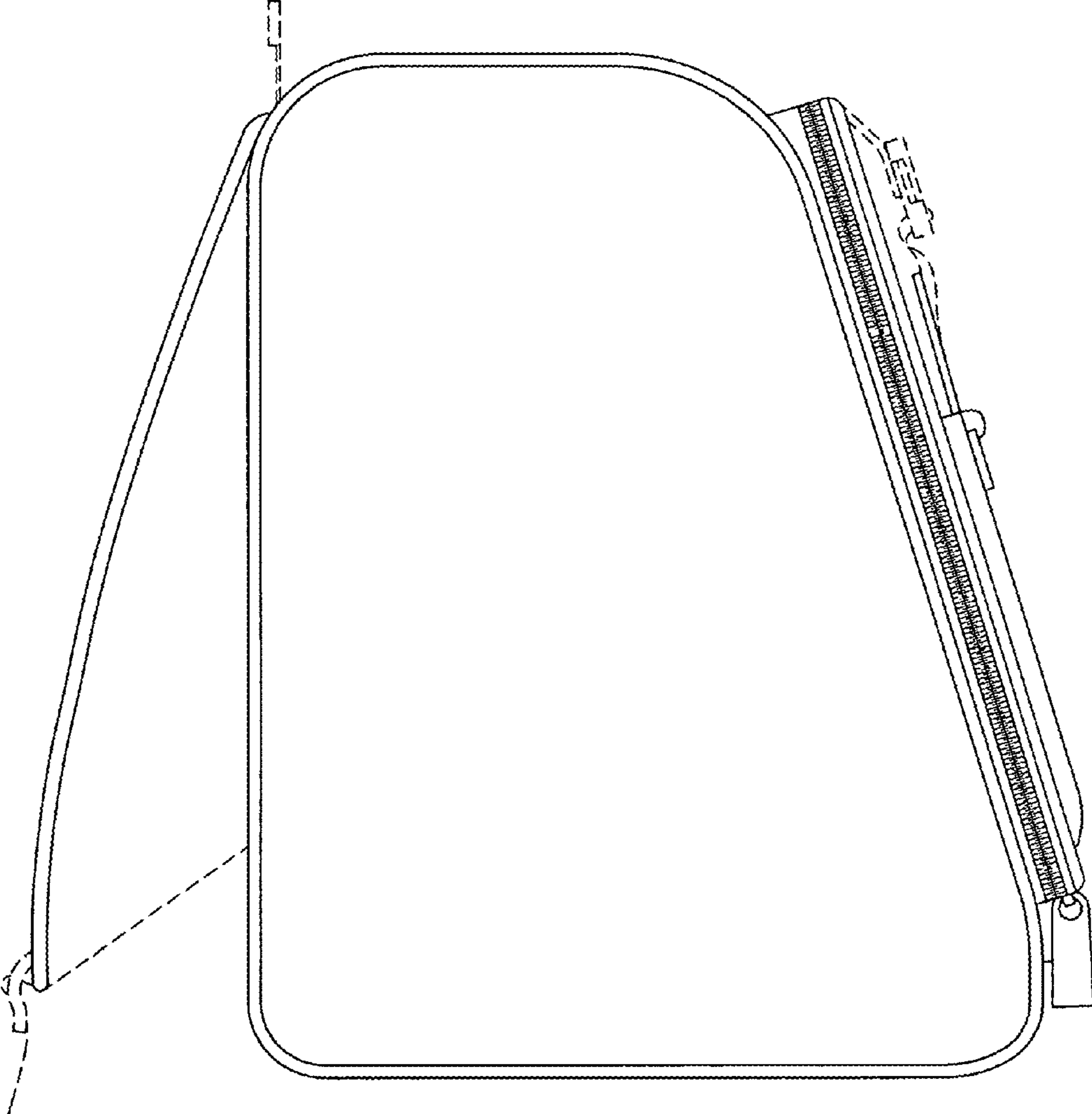


FIG. 4

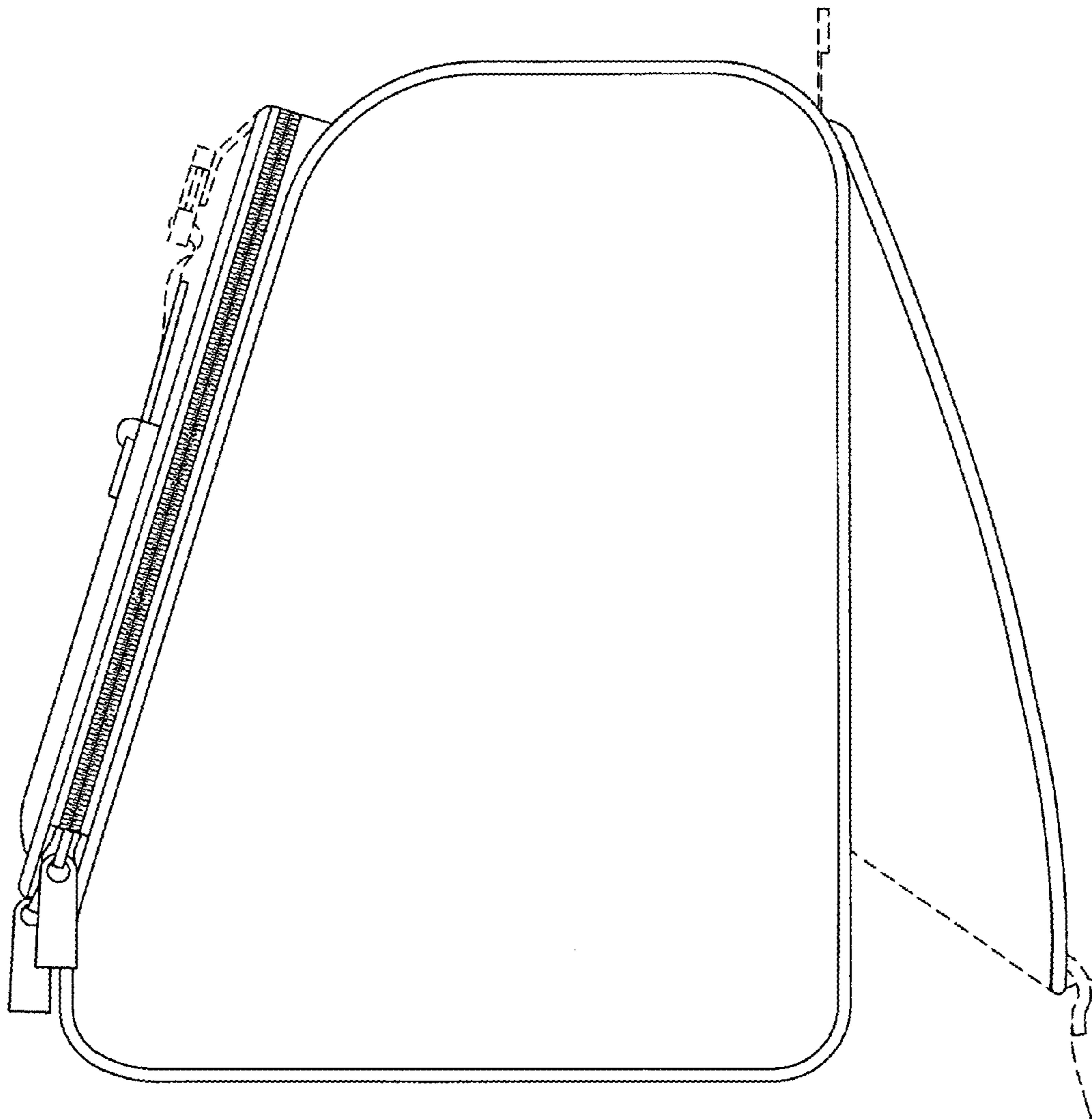


FIG.5

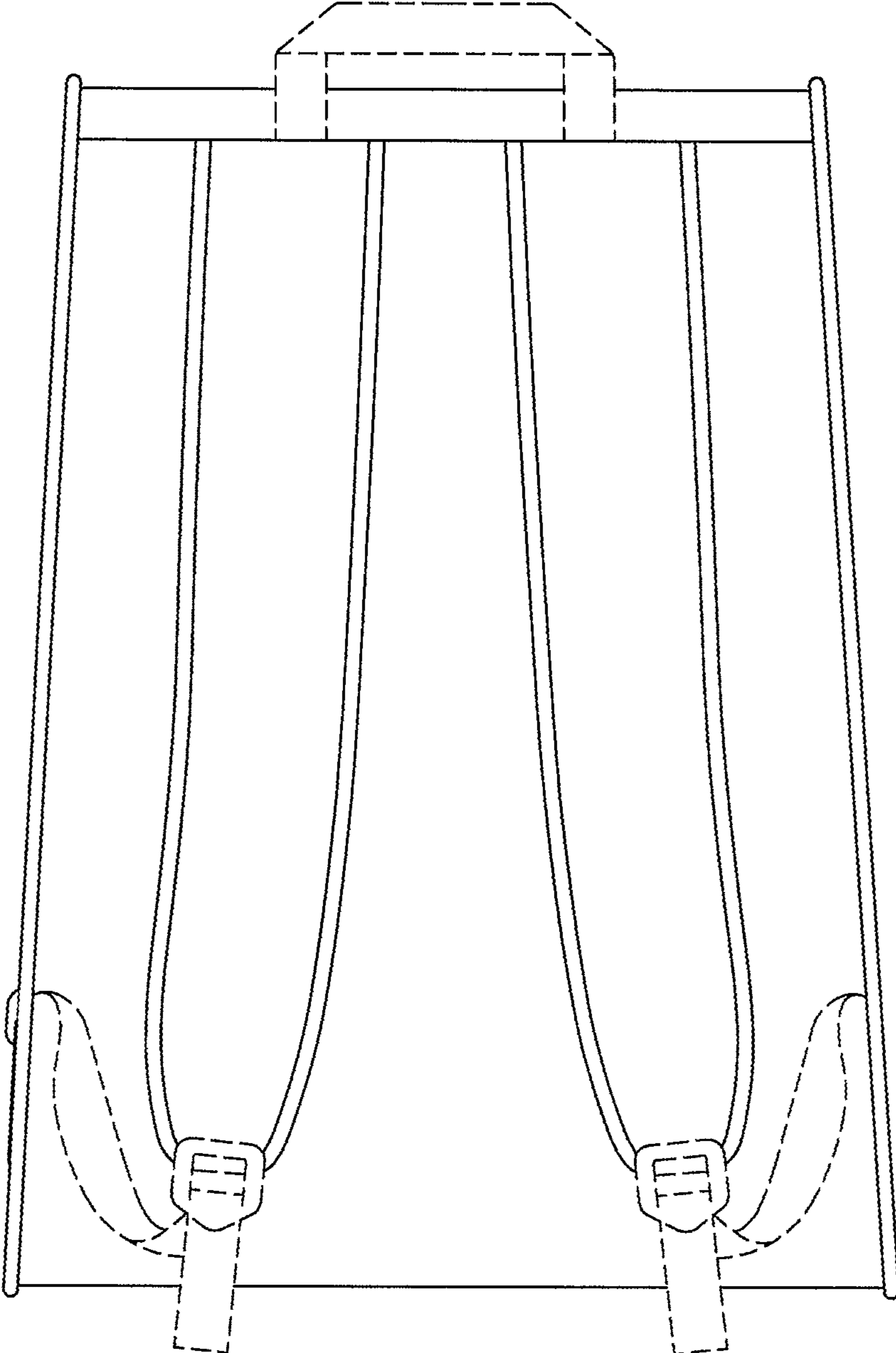


FIG. 6

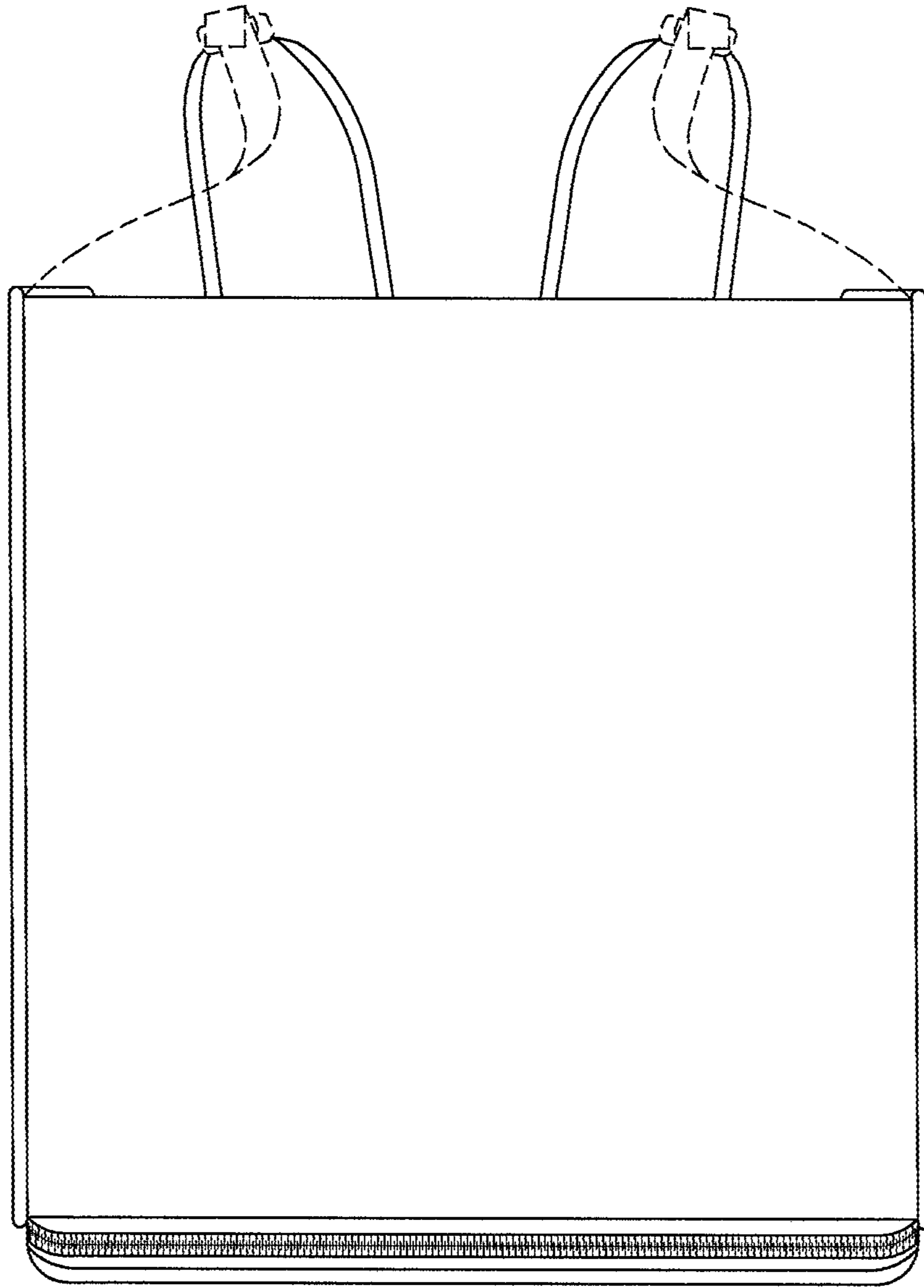


FIG. 7