

US00D768978S

(12) **United States Design Patent** (10) **Patent No.:** **US D768,978 S**
Ma (45) **Date of Patent:** **** Oct. 18, 2016**

(54) **UMBRELLA BASE**
(71) Applicant: **Oliver Joen-an Ma**, Arcadia, CA (US)
(72) Inventor: **Oliver Joen-an Ma**, Arcadia, CA (US)
(**) Term: **14 Years**
(21) Appl. No.: **29/522,207**

3,635,491 A 1/1972 Drews et al.
3,841,631 A 10/1974 Dolan
3,949,901 A 4/1976 Tokita

(Continued)

FOREIGN PATENT DOCUMENTS

DE 93 13 372 10/1993
DE 202006002271 U1 6/2006

(Continued)

(22) Filed: **Mar. 27, 2015**
(51) **LOC (10) Cl.** **03-03**
(52) **U.S. Cl.**
USPC **D3/10**
(58) **Field of Classification Search**
USPC D3/5, 6, 10, 11, 12, 14, 16; D6/708,
D6/708.2, 708.24; D8/354
CPC A45B 23/00; A45B 11/00; A45B 223/0025;
B65D 2519/00323; B65D 2519/00029;
E04H 12/2238; E04H 12/2269; A47B 65/00;
A47B 61/00; A47B 37/04; F16M 13/00
See application file for complete search history.

OTHER PUBLICATIONS

Extended European Search Report issued in European Patent Appli-
cation No. 14185666.6, dated Jun. 24, 2015.

(Continued)

Primary Examiner — John Windmuller
Assistant Examiner — Steven Czyz
(74) *Attorney, Agent, or Firm* — Knobbe, Martens, Olson
& Bear, LLP

(56) **References Cited**

U.S. PATENT DOCUMENTS

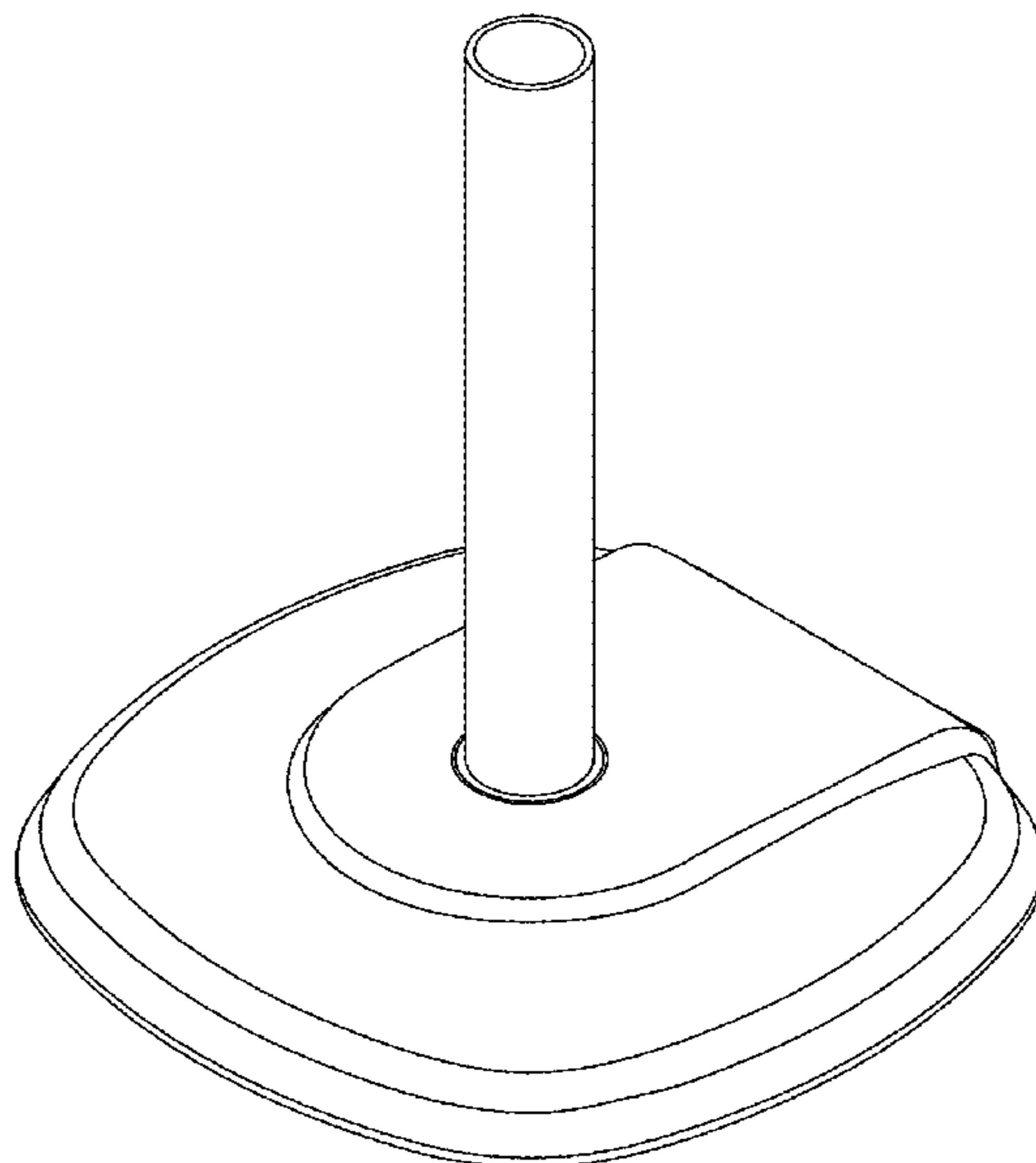
1,261,142 A 4/1918 McNichol
1,711,831 A 5/1929 Clavin
1,940,523 A 12/1933 Barclay
2,036,033 A 3/1936 Fisher
2,146,658 A 2/1939 Leopold
2,652,845 A 9/1953 O'Neill et al.
2,952,471 A 9/1960 Thorpe
3,025,058 A 3/1962 Brumfield
3,179,438 A 4/1965 Field
3,259,432 A 7/1966 Jackson
3,353,837 A 11/1967 Marcyan
3,372,855 A 3/1968 Keith
3,606,445 A 9/1971 Wunderlich
3,632,029 A 1/1972 Sonner
3,633,242 A 1/1972 Wasofsky

(57) **CLAIM**
The ornamental design for an umbrella base, as shown and
described.

DESCRIPTION

FIG. 1 is a perspective view of an umbrella base showing my
new design;
FIG. 2 is a front view of the design of FIG. 1;
FIG. 3 is a rear view of the design of FIG. 1;
FIG. 4 is a left side view of the design of FIG. 1;
FIG. 5 is a right side view of the design of FIG. 1;
FIG. 6 is a top view of the design of FIG. 1; and,
FIG. 7 is a bottom view of the design of FIG. 1.
The broken lines depict portions of the article that form no
part of the claimed design.

1 Claim, 7 Drawing Sheets



US D768,978 S

(56)

References Cited

U.S. PATENT DOCUMENTS

| | | | | | | | |
|-----------|------|---------|----------------------|-------|--------------|-----------|--|
| 4,000,750 | A | 1/1977 | Becher | | | | |
| 4,063,616 | A | 12/1977 | Gutierrez | | | | |
| 4,249,282 | A | 2/1981 | Little | | | | |
| 4,296,693 | A | 10/1981 | Archer | | | | |
| 4,591,126 | A * | 5/1986 | Berney | | E04H 12/2246 | | |
| | | | | | | 248/524 | |
| D286,116 | S * | 10/1986 | Tegze | | D3/10 | | |
| 4,790,029 | A | 12/1988 | LaFleur et al. | | | | |
| D305,702 | S * | 1/1990 | Taliani | | D3/10 | | |
| 4,903,859 | A | 2/1990 | Derby et al. | | | | |
| 4,973,327 | A | 11/1990 | Goodrich, Jr. et al. | | | | |
| 5,104,236 | A | 4/1992 | LaFleur | | | | |
| 5,152,495 | A * | 10/1992 | Jacinto | | E04H 12/223 | | |
| | | | | | | 135/98 | |
| 5,158,369 | A | 10/1992 | Derby | | | | |
| 5,167,393 | A | 12/1992 | Hayakawa et al. | | | | |
| 5,207,407 | A | 5/1993 | Fitzsimmons et al. | | | | |
| 5,209,364 | A | 5/1993 | LaPoint, Jr. | | | | |
| 5,220,740 | A * | 6/1993 | Brault | | E01F 9/0126 | | |
| | | | | | | 248/910 | |
| 5,248,140 | A | 9/1993 | Matheme et al. | | | | |
| 5,257,983 | A | 11/1993 | Garyantes et al. | | | | |
| 5,259,612 | A | 11/1993 | Matherne et al. | | | | |
| 5,283,595 | A * | 2/1994 | Krukovsky | | G09F 7/20 | | |
| | | | | | | 345/2.3 | |
| 5,289,937 | A | 3/1994 | Boots | | | | |
| 5,322,023 | A * | 6/1994 | Hammond | | A47B 37/04 | | |
| | | | | | | 108/50.12 | |
| 5,323,922 | A | 6/1994 | Lapoint et al. | | | | |
| 5,328,268 | A | 7/1994 | Lafleur | | | | |
| 5,330,213 | A | 7/1994 | Peruso | | | | |
| D350,041 | S * | 8/1994 | Schwarzli | | D20/8 | | |
| 5,337,989 | A | 8/1994 | Apple | | | | |
| 5,354,049 | A | 10/1994 | Matherne et al. | | | | |
| 5,375,835 | A | 12/1994 | Van Nimwegen et al. | | | | |
| 5,423,611 | A | 6/1995 | Sherrard | | | | |
| 5,480,191 | A | 1/1996 | Litin et al. | | | | |
| 5,481,822 | A | 1/1996 | Engels | | | | |
| 5,492,429 | A | 2/1996 | Hodges | | | | |
| 5,520,982 | A | 5/1996 | Grigsby et al. | | | | |
| 5,538,155 | A | 7/1996 | Hoekstra | | | | |
| 5,599,037 | A | 2/1997 | Spickler | | | | |
| 5,615,451 | A | 4/1997 | Peterson et al. | | | | |
| 5,628,522 | A | 5/1997 | Hall | | | | |
| 5,628,523 | A | 5/1997 | Smith | | | | |
| 5,636,649 | A | 6/1997 | Horvath | | | | |
| 5,730,668 | A | 3/1998 | Hege et al. | | | | |
| 5,743,283 | A | 4/1998 | Horvath | | | | |
| 5,823,213 | A | 10/1998 | Patarra | | | | |
| 5,826,850 | A | 10/1998 | Goldsmith | | | | |
| 5,839,714 | A | 11/1998 | Fitzsimmons et al. | | | | |
| 5,843,556 | A | 12/1998 | Levas | | | | |
| 5,865,541 | A | 2/1999 | Lafleur | | | | |
| 5,871,148 | A | 2/1999 | Hafer | | | | |
| 5,940,932 | A | 8/1999 | LaHay | | | | |
| 5,957,145 | A * | 9/1999 | Plumer | | B62B 1/262 | | |
| | | | | | | 135/117 | |
| 5,964,533 | A | 10/1999 | Ziglar | | | | |
| 5,968,204 | A | 10/1999 | Wise | | | | |
| 5,979,793 | A * | 11/1999 | Louis | | A45B 3/00 | | |
| | | | | | | 135/16 | |
| 6,000,549 | A | 12/1999 | Perkins | | | | |
| 6,015,057 | A | 1/2000 | Stone et al. | | | | |
| 6,089,394 | A | 7/2000 | Ziglar | | | | |
| 6,102,569 | A | 8/2000 | Wang | | | | |
| 6,105,305 | A | 8/2000 | Edens | | | | |
| 6,109,786 | A | 8/2000 | Hafer et al. | | | | |
| 6,113,054 | A | 9/2000 | Ma | | | | |
| 6,113,270 | A | 9/2000 | Hafer | | | | |
| 6,149,025 | A | 11/2000 | Wang | | | | |
| 6,196,719 | B1 | 3/2001 | Brown | | | | |
| 6,203,198 | B1 | 3/2001 | Stone | | | | |
| 6,220,755 | B1 | 4/2001 | Brown et al. | | | | |
| 6,305,659 | B1 * | 10/2001 | Metelski | | F16M 11/20 | | |
| | | | | | | 248/519 | |
| 6,328,470 | B2 | 12/2001 | Brown et al. | | | | |
| 6,336,450 | B1 * | 1/2002 | Collet | | F24C 15/22 | | |
| | | | | | | 126/92 B | |
| 6,367,494 | B1 * | 4/2002 | Tung | | E01F 9/0114 | | |
| | | | | | | 135/44 | |
| 6,374,839 | B2 * | 4/2002 | Patarra | | A45B 3/00 | | |
| | | | | | | 135/16 | |
| 6,405,990 | B2 | 6/2002 | Davis et al. | | | | |
| 6,412,746 | B2 | 7/2002 | Davis et al. | | | | |
| 6,412,747 | B2 | 7/2002 | Davis et al. | | | | |
| 6,415,927 | B1 | 7/2002 | Stone et al. | | | | |
| 6,446,408 | B1 | 9/2002 | Gordin et al. | | | | |
| 6,446,930 | B1 | 9/2002 | Li | | | | |
| D464,190 | S * | 10/2002 | Salahub | | D3/10 | | |
| 6,481,591 | B2 * | 11/2002 | Mendoza | | D06F 5/002 | | |
| | | | | | | 220/9.2 | |
| 6,488,254 | B2 * | 12/2002 | Li | | A45B 17/00 | | |
| | | | | | | 135/15.1 | |
| 6,511,033 | B2 | 1/2003 | Li | | | | |
| D470,305 | S * | 2/2003 | Clarke | | D3/10 | | |
| 6,523,640 | B1 | 2/2003 | Young et al. | | | | |
| 6,554,012 | B2 | 4/2003 | Patarra | | | | |
| 6,554,243 | B2 | 4/2003 | Davis et al. | | | | |
| 6,594,951 | B1 | 7/2003 | Reynolds | | | | |
| 6,637,717 | B2 | 10/2003 | Li | | | | |
| D484,303 | S * | 12/2003 | Taylor | | D3/10 | | |
| 6,658,760 | B2 | 12/2003 | Kohlman et al. | | | | |
| 6,669,045 | B2 | 12/2003 | Wang | | | | |
| D485,055 | S * | 1/2004 | Taylor | | D3/10 | | |
| 6,682,055 | B1 | 1/2004 | Tomlinson et al. | | | | |
| 6,732,752 | B2 | 5/2004 | Cohen et al. | | | | |
| 6,796,319 | B1 | 9/2004 | Patarra et al. | | | | |
| 6,869,058 | B2 | 3/2005 | Tung | | | | |
| 6,889,953 | B2 | 5/2005 | Harbough | | | | |
| D516,297 | S * | 3/2006 | Smith | | D3/10 | | |
| 7,090,399 | B2 | 8/2006 | Godshaw et al. | | | | |
| 7,140,581 | B1 | 11/2006 | White | | | | |
| 7,143,601 | B1 | 12/2006 | Jimenez | | | | |
| 7,163,212 | B1 | 1/2007 | Rupp | | | | |
| 7,195,397 | B2 | 3/2007 | Williamson et al. | | | | |
| 7,285,111 | B2 | 10/2007 | Gaster | | | | |
| 7,331,684 | B2 | 2/2008 | Tung | | | | |
| 7,347,428 | B2 | 3/2008 | Edenso | | | | |
| D568,603 | S * | 5/2008 | Smith | | D3/10 | | |
| D573,786 | S * | 7/2008 | Smith | | D3/10 | | |
| D574,143 | S * | 8/2008 | Smith | | D3/10 | | |
| D578,749 | S * | 10/2008 | Ng | | D3/10 | | |
| 7,431,259 | B2 | 10/2008 | Tung | | | | |
| 7,484,704 | B2 | 2/2009 | Schommertz | | | | |
| 7,503,541 | B2 | 3/2009 | Harold et al. | | | | |
| 7,513,479 | B2 | 4/2009 | Li | | | | |
| 7,520,485 | B1 * | 4/2009 | Giannetto | | A01K 97/10 | | |
| | | | | | | 173/91 | |
| 7,537,015 | B1 | 5/2009 | Molnar, IV et al. | | | | |
| 7,575,117 | B2 | 8/2009 | Redzisz et al. | | | | |
| 7,584,563 | B2 | 9/2009 | Hillstrom et al. | | | | |
| 7,600,917 | B2 | 10/2009 | Richardson, Jr. | | | | |
| 7,614,600 | B1 | 11/2009 | Smith et al. | | | | |
| 7,641,165 | B2 | 1/2010 | Li | | | | |
| D617,041 | S * | 6/2010 | Shi | | D26/142 | | |
| 7,753,546 | B2 | 7/2010 | Kuelbs | | | | |
| D621,148 | S * | 8/2010 | Brady | | D3/10 | | |
| D621,149 | S * | 8/2010 | Brady | | D3/10 | | |
| 7,784,761 | B2 | 8/2010 | Ma | | | | |
| 7,836,902 | B2 | 11/2010 | Tung | | | | |
| 7,891,633 | B2 | 2/2011 | Li | | | | |
| 7,958,901 | B2 * | 6/2011 | Lai | | A45B 17/00 | | |
| | | | | | | 135/20.3 | |
| 8,070,006 | B2 | 12/2011 | Austin et al. | | | | |
| 8,104,492 | B2 * | 1/2012 | Dan | | A45B 23/00 | | |
| | | | | | | 135/20.3 | |
| D655,531 | S * | 3/2012 | Gharst | | D3/10 | | |
| 8,485,757 | B2 | 7/2013 | Nomoto | | | | |
| 8,556,100 | B2 | 10/2013 | Austin et al. | | | | |
| 8,567,729 | B2 | 10/2013 | Nemish | | | | |
| D697,705 | S * | 1/2014 | Ma | | D3/10 | | |
| 8,632,045 | B2 * | 1/2014 | Ma | | A45B 23/00 | | |
| | | | | | | 135/16 | |
| 8,657,246 | B2 * | 2/2014 | Ma | | E04H 12/2238 | | |

(56)

References Cited

U.S. PATENT DOCUMENTS

8,714,511 B2* 5/2014 Zoeteman 248/129
A45B 23/00
135/16

8,807,513 B2 8/2014 Volin

8,894,281 B2 11/2014 Town et al.

8,919,361 B2* 12/2014 Ma E04H 12/2238
135/16

8,919,722 B2 12/2014 Ma

8,960,625 B2 2/2015 Ma

D724,309 S* 3/2015 Ma D3/10

D732,817 S* 6/2015 Elstow D3/10

D740,546 S* 10/2015 DeVaney D3/10

2001/0013358 A1* 8/2001 Patarra A45B 3/00
135/16

2001/0040208 A1 11/2001 Li

2001/0045498 A1 11/2001 Davis et al.

2002/0185582 A1 12/2002 Li

2003/0145498 A1* 8/2003 Venegas, Jr. E01F 9/0124
40/607.1

2003/0230692 A1 12/2003 Davis et al.

2004/0056169 A1 3/2004 Harbough

2004/0069922 A1 4/2004 Wu

2004/0108439 A1 6/2004 Ma

2004/0163336 A1 8/2004 Hsu

2004/0177871 A1* 9/2004 Harbaugh A45B 19/10
135/20.1

2004/0195487 A1 10/2004 Harbough

2005/0161067 A1 7/2005 Hollins

2005/0189005 A1* 9/2005 Smith G09F 23/00
135/16

2006/0054206 A1* 3/2006 Bilotti E04H 12/2238
135/16

2007/0080277 A1* 4/2007 Chen E04H 12/2246
248/354.3

2008/0111046 A1* 5/2008 Tung A45B 17/00
248/521

2009/0174162 A1 7/2009 Gass et al.

2009/0320341 A1 12/2009 Hillstrom et al.

2010/0065709 A1 3/2010 Ying

2010/0147341 A1 6/2010 Li

2010/0206346 A1* 8/2010 Tung A45B 23/00
135/20.1

2011/0232704 A1 9/2011 Li

2012/0125388 A1 5/2012 Kuo

2013/0146739 A1* 6/2013 Zhao E04H 12/2246
248/519

2013/0146740 A1* 6/2013 Ma E04H 12/2246
248/519

2014/0230866 A1* 8/2014 Paolucci E04H 12/2215
135/15.1

2014/0263926 A1* 9/2014 LeAnna E04H 12/2284
248/518

FOREIGN PATENT DOCUMENTS

EP 0 060 957 9/1982

EP 0 818 594 1/1998

EP 0 822 305 2/1998

FR 2 576 048 7/1986

OTHER PUBLICATIONS

Activa Leisure, 2010 Product Catalog.

Treasure Garden, 2010 Product Catalog.

* cited by examiner

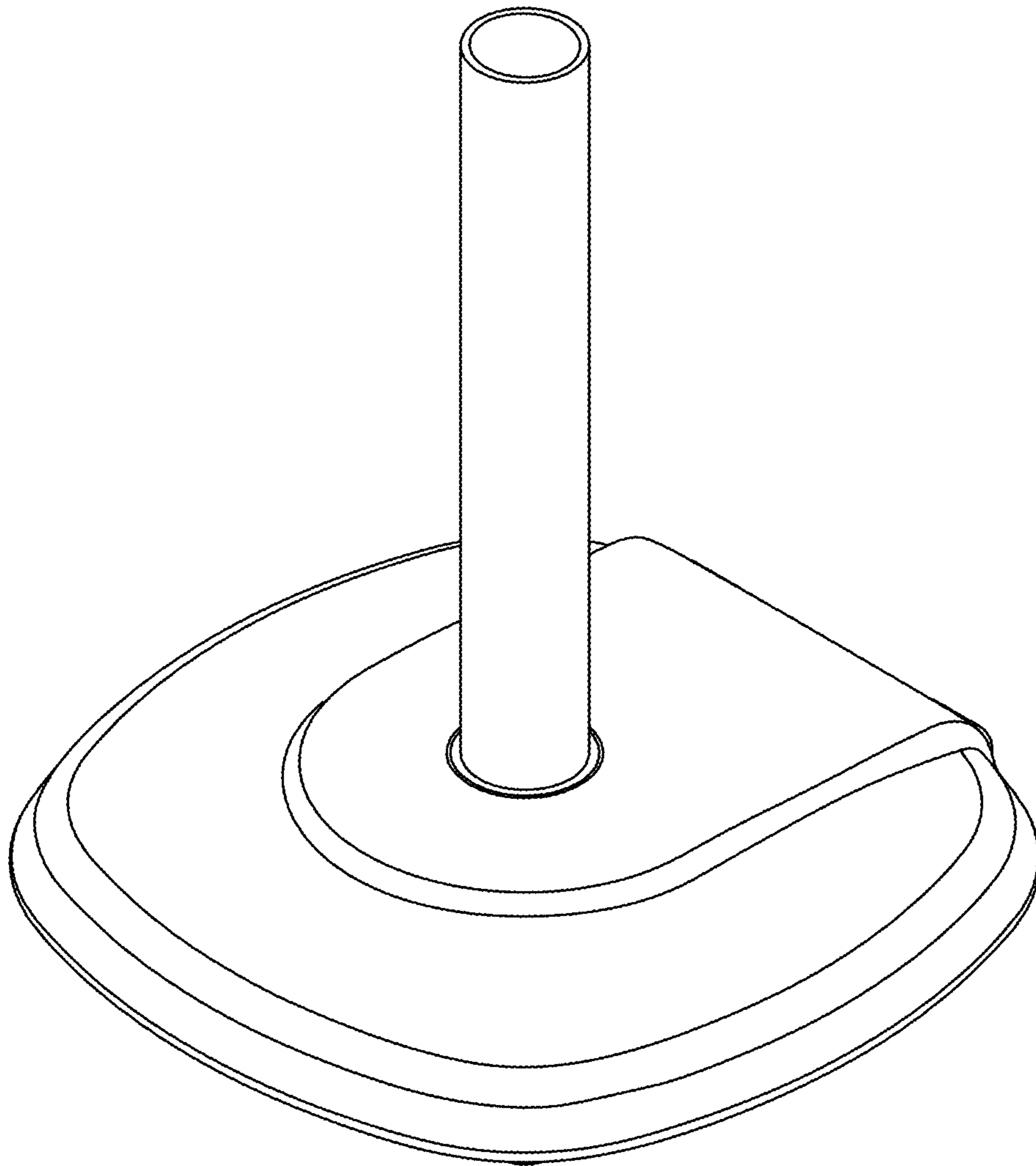


FIG. 1

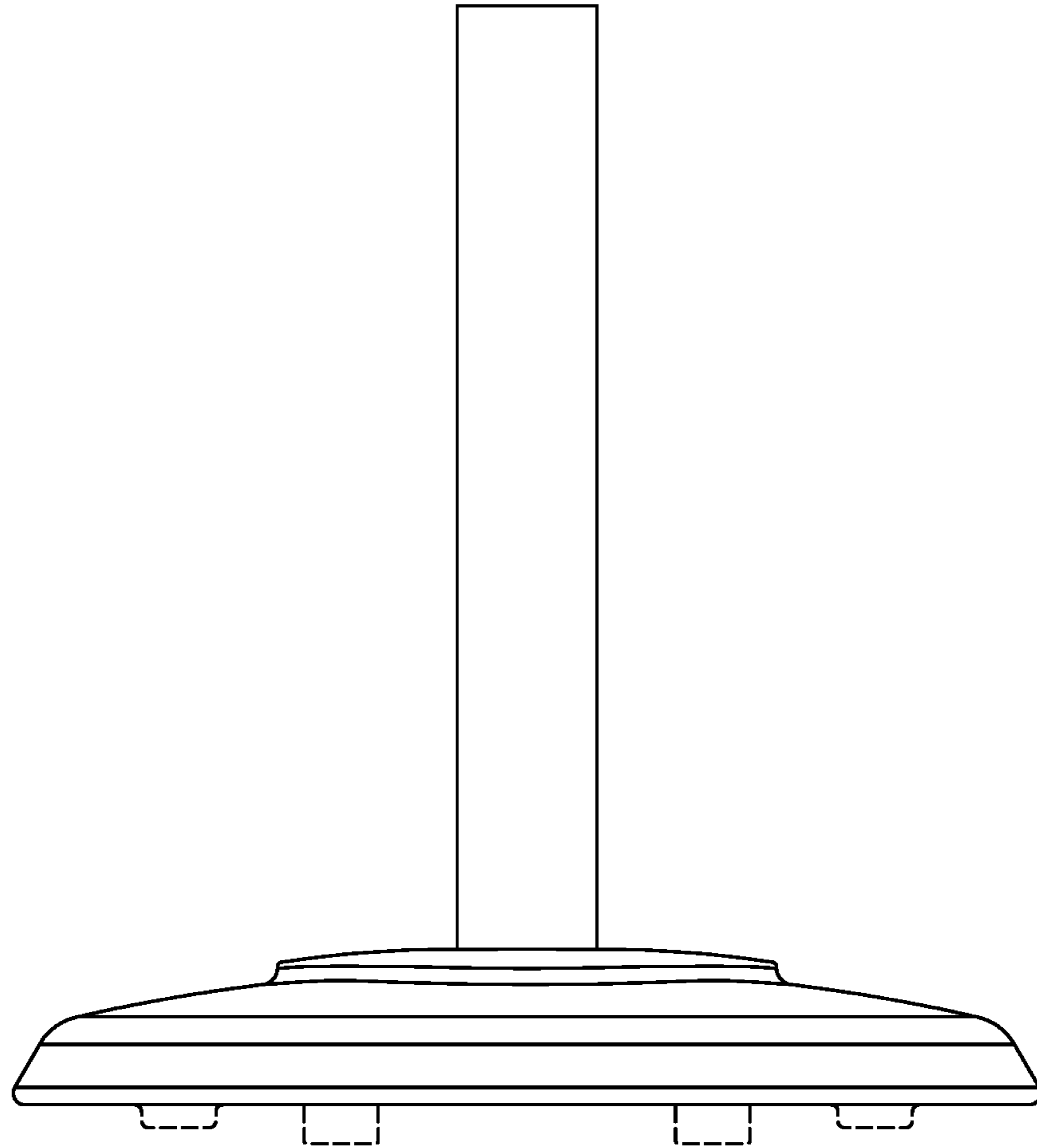


FIG. 2

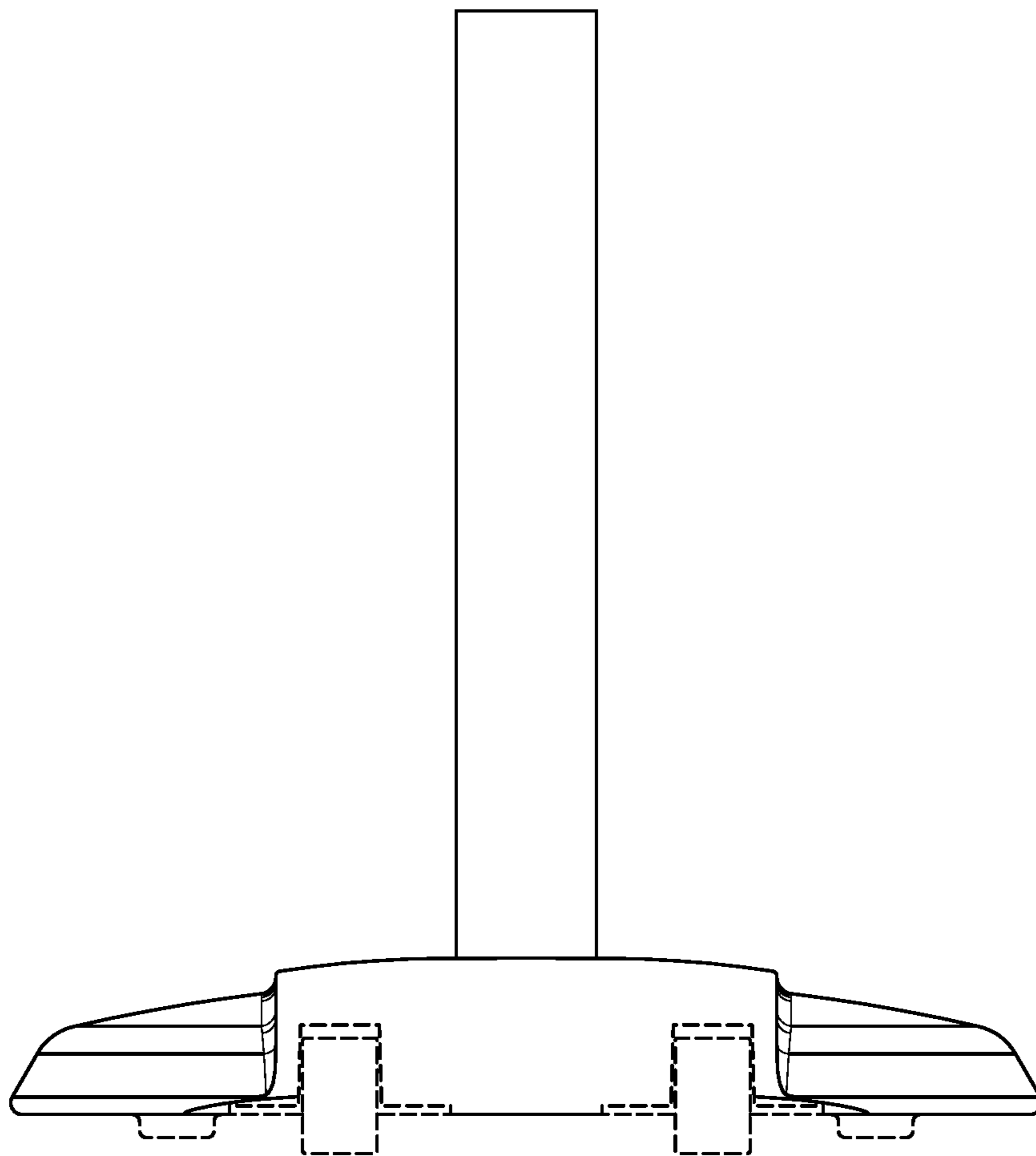


FIG. 3

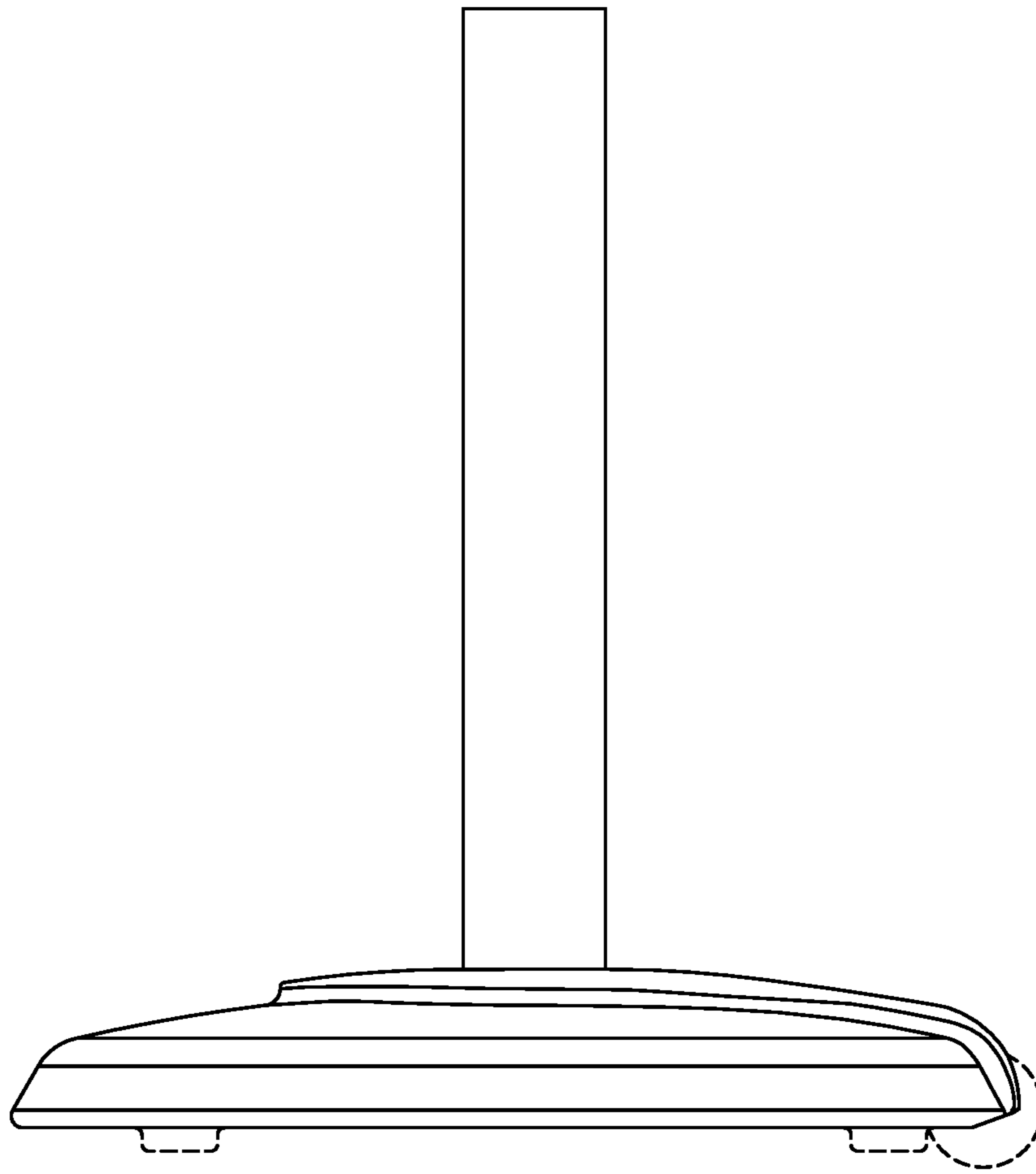


FIG. 4

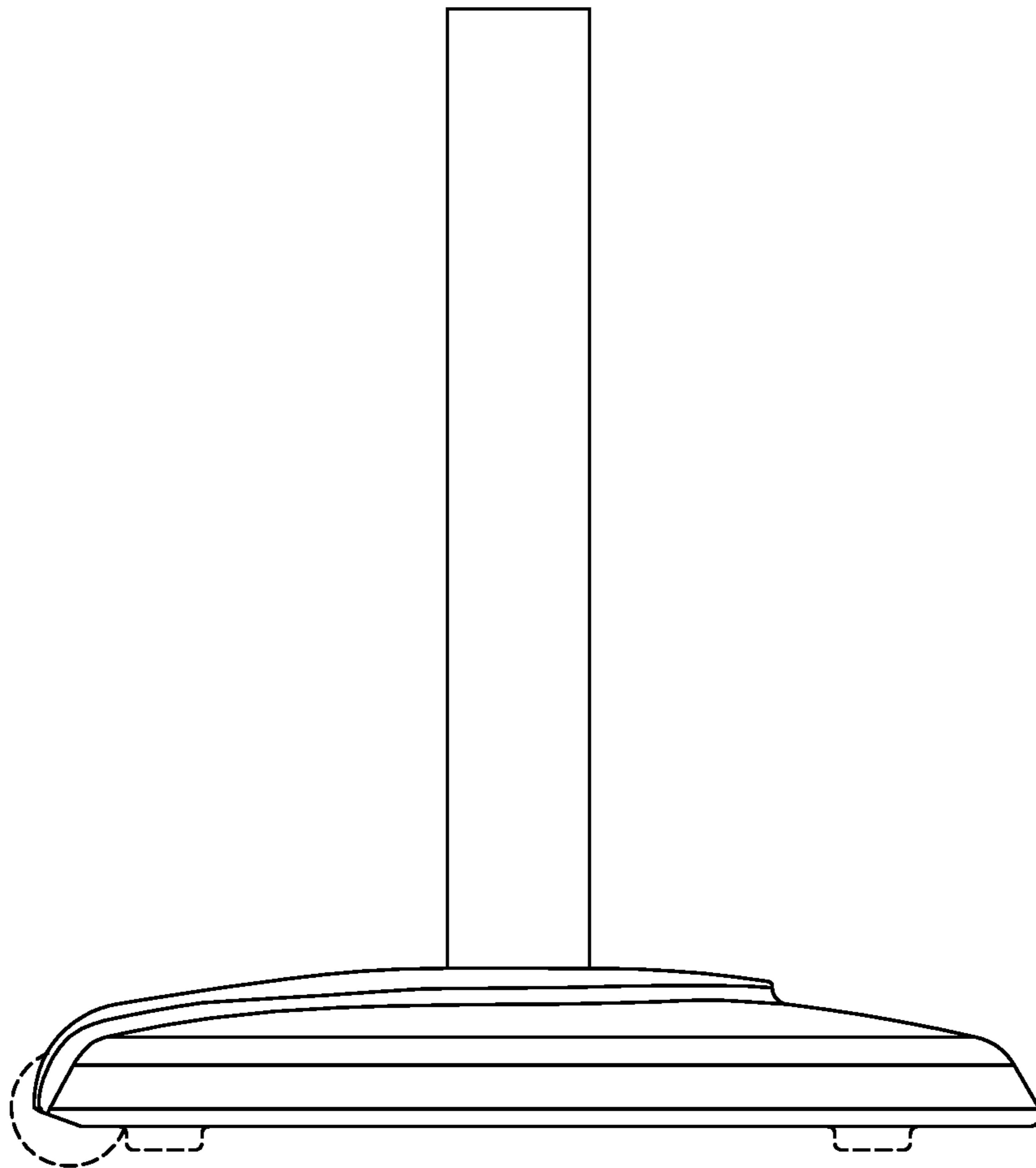


FIG. 5

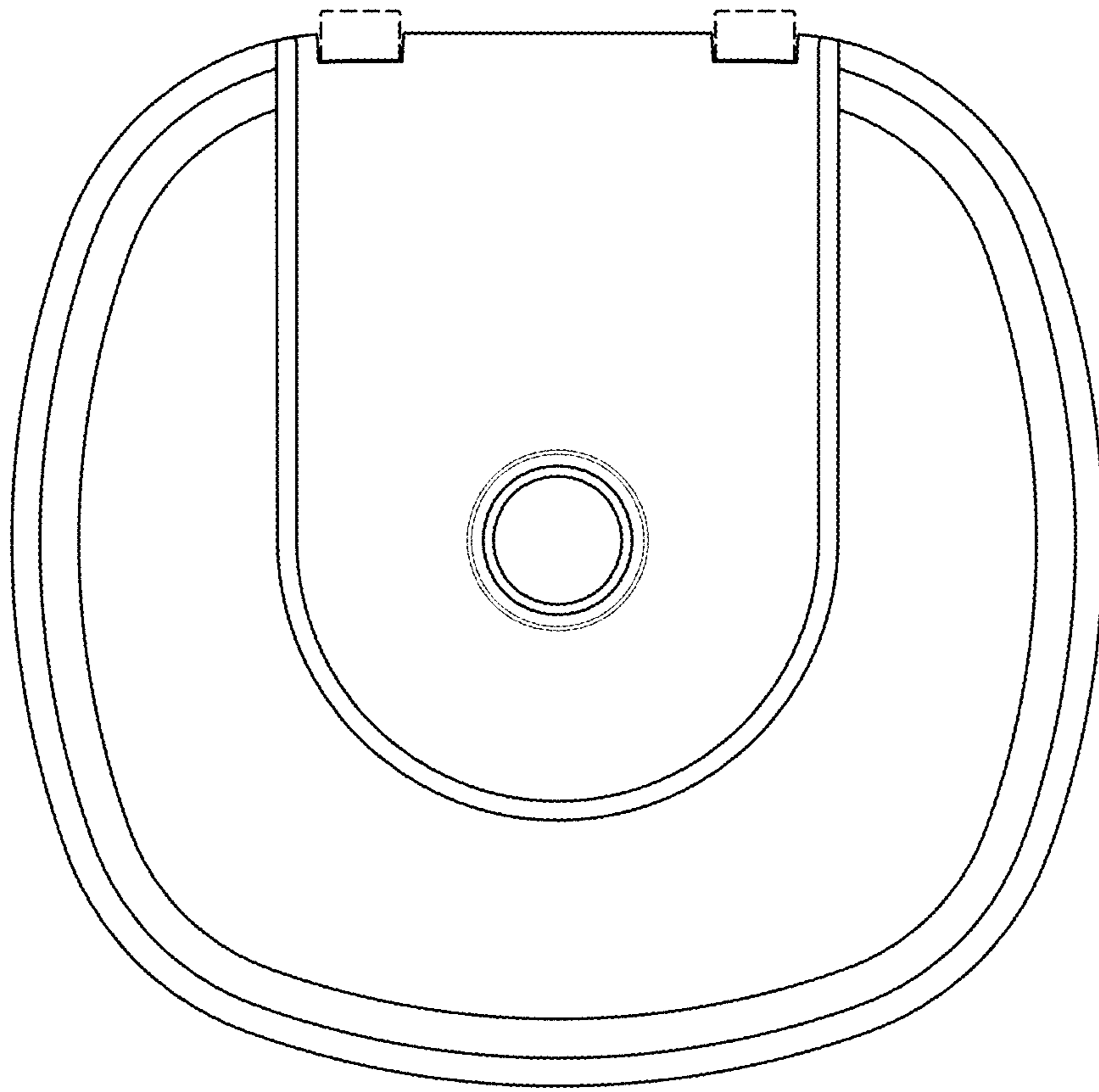


FIG. 6

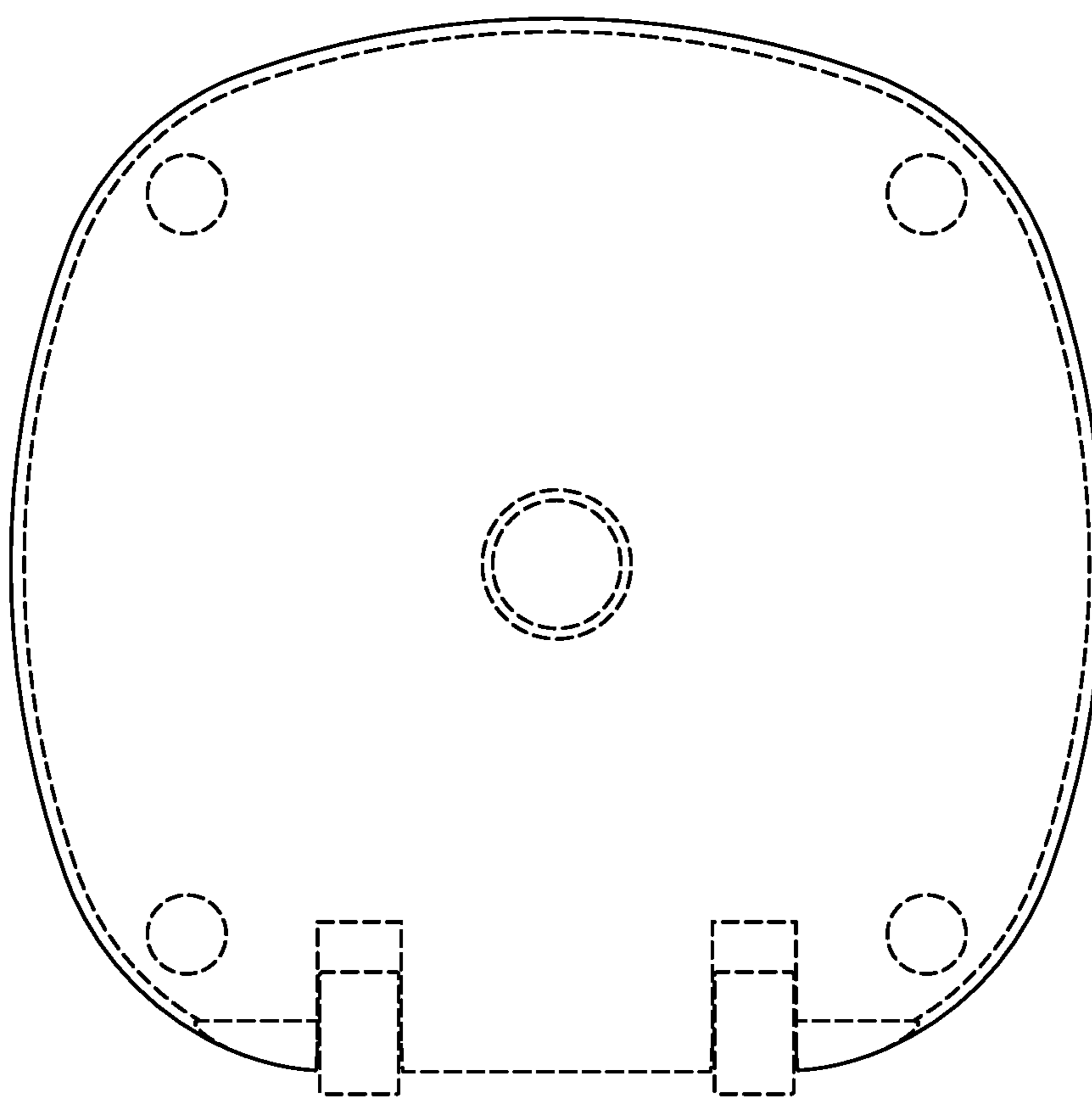


FIG. 7