



US00D768977S

(12) **United States Design Patent** (10) **Patent No.:** **US D768,977 S**
Seamarks et al. (45) **Date of Patent:** **** Oct. 18, 2016**

(54) **SHOE UPPER**
(71) Applicant: **NIKE, Inc.**, Beaverton, OR (US)
(72) Inventors: **Karl Seamarks**, Portland, OR (US);
Phil Woodman, Portland, OR (US)
(73) Assignee: **NIKE, Inc.**, Beaverton, OR (US)
(**) Term: **15 Years**
(21) Appl. No.: **29/528,472**
(22) Filed: **May 28, 2015**
(51) **LOC (10) Cl.** **02-99**
(52) **U.S. Cl.**
USPC **D2/972**
(58) **Field of Classification Search**
USPC D2/902, 906-908, 919, 920, 944, 969,
D2/972-974
CPC A43B 13/181; A43B 13/141; A43B 13/186;
A43B 13/188; A43B 23/00; A43B 23/02;
A43B 5/00; A43B 23/26; A43B 1/04; A43B
11/14; A43B 7/00; A43C 1/00; A43C 11/00
See application file for complete search history.

D675,424 S 2/2013 Williams, Jr.
D689,684 S 9/2013 McMillan
D690,091 S 9/2013 Dombrow
D690,092 S 9/2013 Dombrow
D696,847 S 1/2014 McCullagh
D696,848 S 1/2014 Hardman
D703,932 S 5/2014 Avar et al.
D703,933 S * 5/2014 Avar D2/972
D703,935 S * 5/2014 Seamarks D2/972
D703,936 S 5/2014 Seamarks
D707,436 S * 6/2014 Seamarks D2/972
D707,947 S * 7/2014 Seamarks D2/972
D715,040 S 10/2014 Mermet
D718,036 S * 11/2014 McMillan D2/972
D719,337 S 12/2014 Miner
D722,224 S 2/2015 Williams, Jr.

* cited by examiner

Primary Examiner — Dominic Simone
(74) *Attorney, Agent, or Firm* — Banner & Witcoff, Ltd.

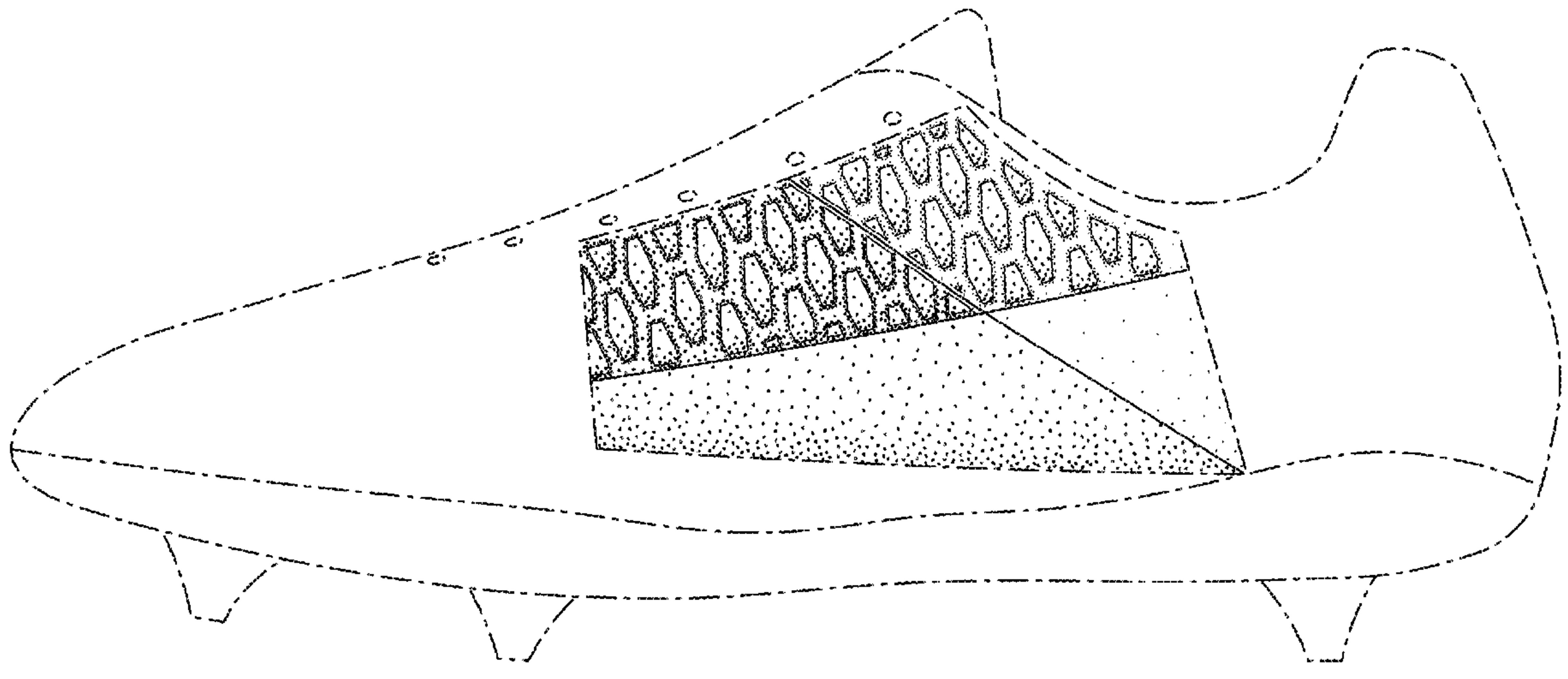
(57) **CLAIM**
The ornamental design for a shoe upper, as shown and described.

DESCRIPTION

FIG. 1 is a front perspective view of a shoe upper showing our new design;
FIG. 2 is a side view thereof; and,
FIG. 3 is a rear perspective view thereof.
The broken lines immediately adjacent to the shaded area represent unclaimed boundaries of the design. The broken lines showing the remainder of the shoe are for environmental purposes only and form no part of the claimed design. The contrast in shading represents a contrast in appearance only and does not represent any particular color, material, texture or finish.

1 Claim, 3 Drawing Sheets

(56) **References Cited**
U.S. PATENT DOCUMENTS
D418,668 S * 1/2000 von Conta D2/902
D419,758 S * 2/2000 Hudson D2/972
D471,350 S 3/2003 Roulo
D484,300 S 12/2003 Smith
D498,583 S * 11/2004 Yun D2/972
D511,608 S 11/2005 Carnes
D513,111 S 12/2005 Caine
D544,690 S * 6/2007 Mermet D2/972
D546,053 S * 7/2007 Mayden D2/972
D648,110 S 11/2011 Rasmussen



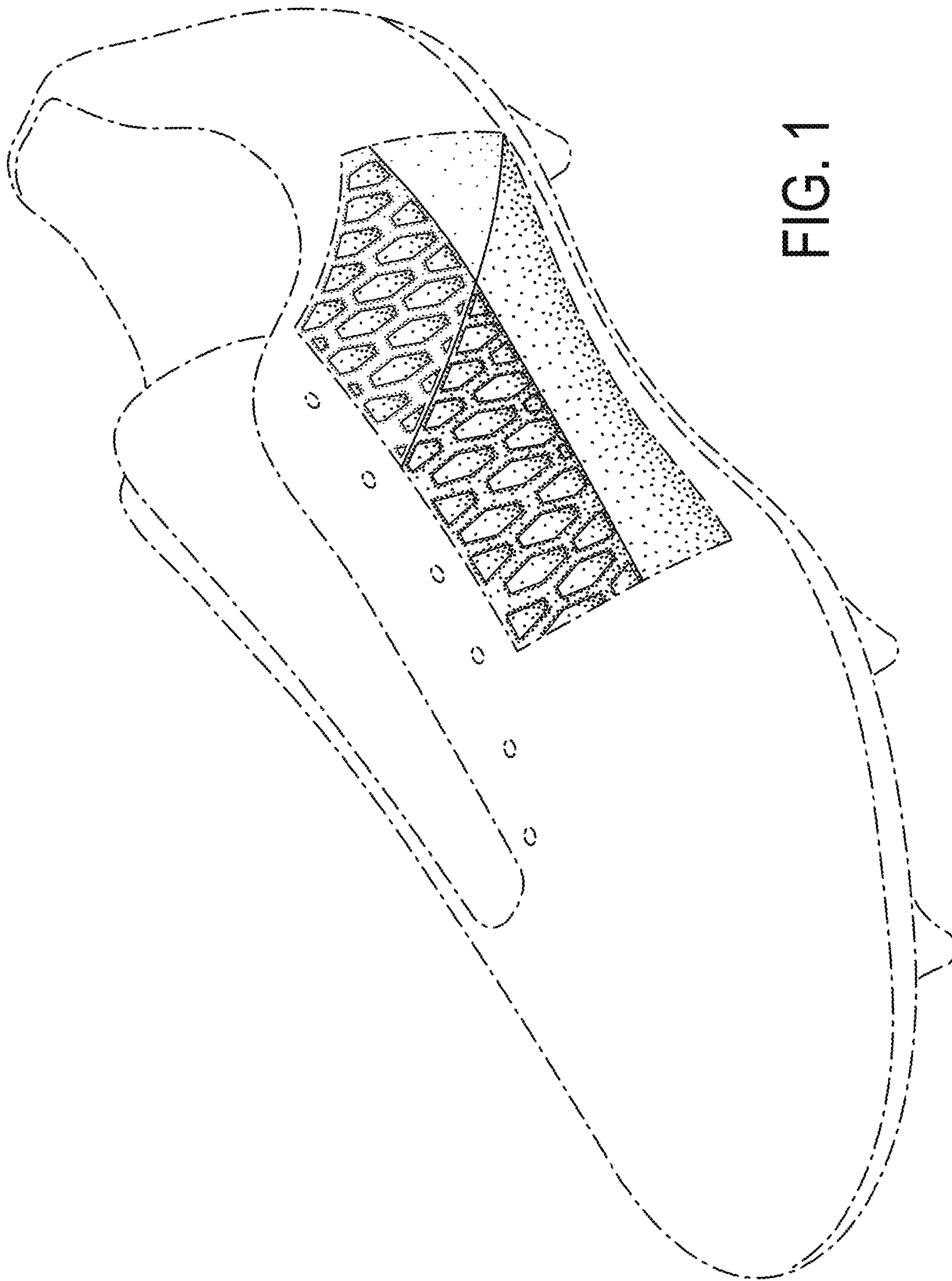


FIG. 1

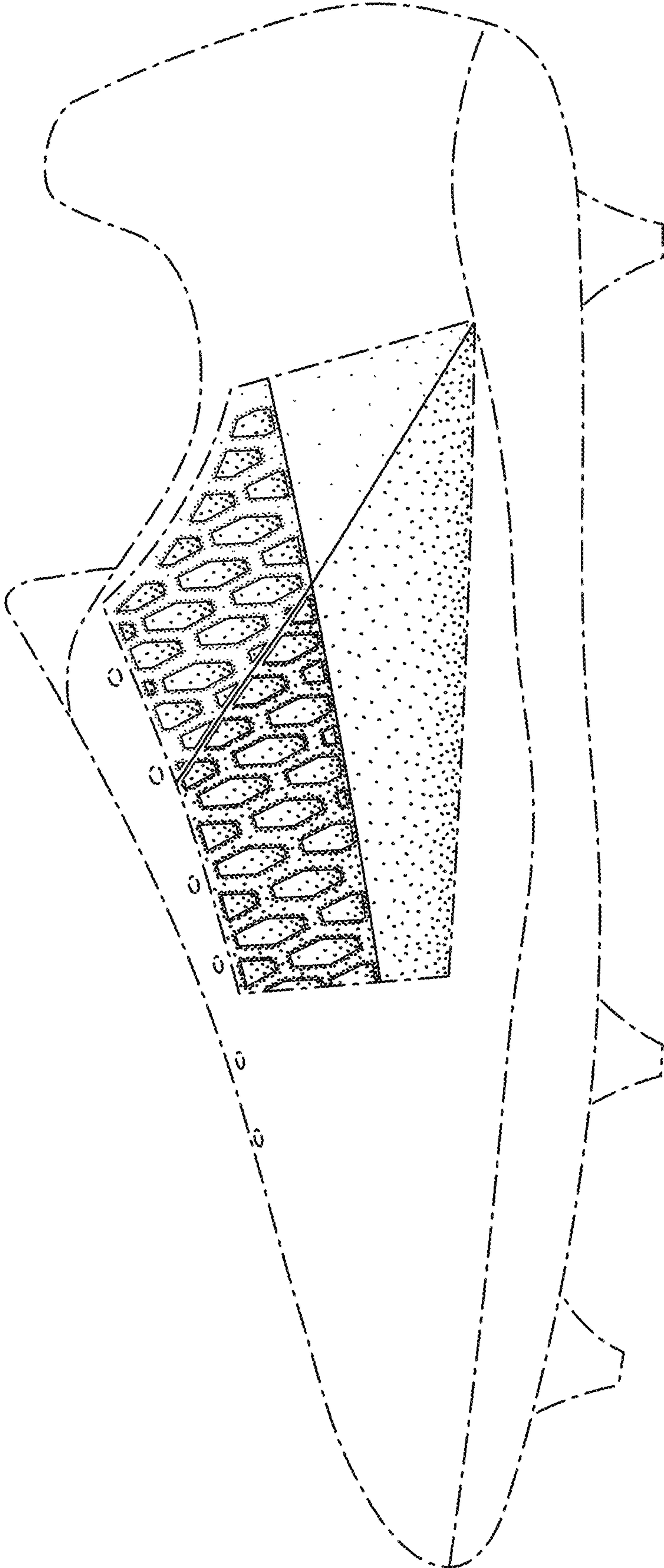


FIG. 2

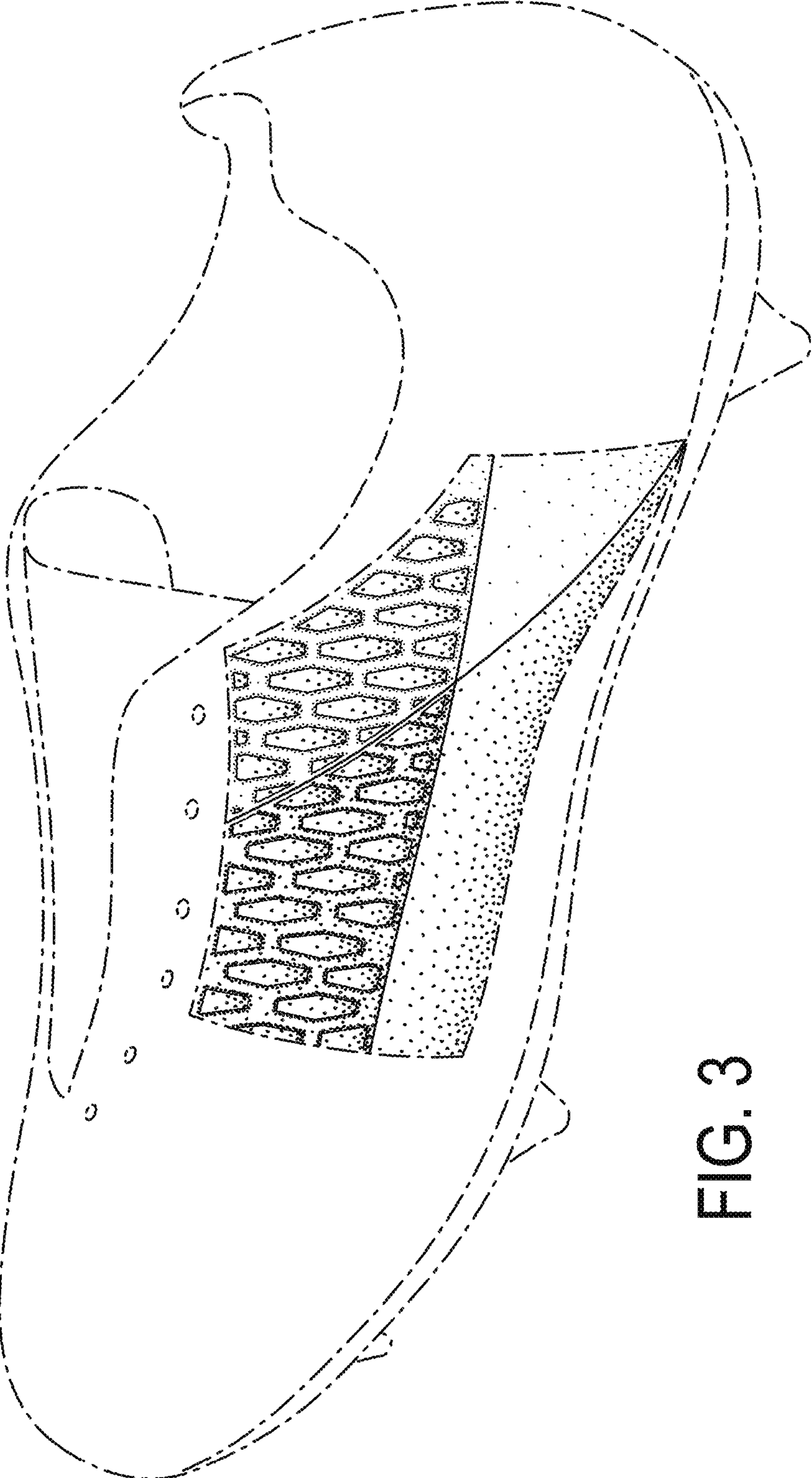


FIG. 3