



US00D768974S

(12) **United States Design Patent**
MacIntyre

(10) **Patent No.:** **US D768,974 S**
(45) **Date of Patent:** **** Oct. 18, 2016**

(54) **FOOTWEAR UPPER**

- (71) Applicant: **Deckers Outdoor Corporation**, Goleta, CA (US)
- (72) Inventor: **Jennifer MacIntyre**, Santa Barbara, CA (US)
- (73) Assignee: **Deckers Outdoor Corporation**, Goleta, CA (US)
- (**) Term: **14 Years**
- (21) Appl. No.: **29/524,904**

(22) Filed: **Apr. 24, 2015**

- (51) **LOC (10) Cl.** **02-04**
- (52) **U.S. Cl.**
USPC **D2/970**
- (58) **Field of Classification Search**
USPC D2/896, 902, 906-908, 943, 944, 946,
D2/969, 970, 972-974
CPC A43B 7/32; A43B 3/02; A43B 3/16;
A43B 23/00; A43B 23/02
See application file for complete search history.

(56) **References Cited**

U.S. PATENT DOCUMENTS

D233,636 S	*	11/1974	Schneider	D2/910
D369,894 S	*	5/1996	Stolberg	D2/910
D400,342 S	*	11/1998	Davidowitz	D2/909
D410,322 S	*	6/1999	Davidowitz	D2/910
D533,985 S	*	12/2006	Belley	D2/969
D584,499 S	*	1/2009	Ringholz	D2/970
D638,213 S	*	5/2011	Funck	D2/910
D704,426 S	*	5/2014	Dillenbeck	D2/970

OTHER PUBLICATIONS

UGG Australia, style "UGG Classic Mini"; On sale or in public use at least as early as Aug. 2006, www.zappos.com/ugg-classic-mini-sand.

* cited by examiner

Primary Examiner — Ian Simmons

Assistant Examiner — Rashida C Walshon

(74) *Attorney, Agent, or Firm* — Greer, Burns & Crain, Ltd.

(57) **CLAIM**

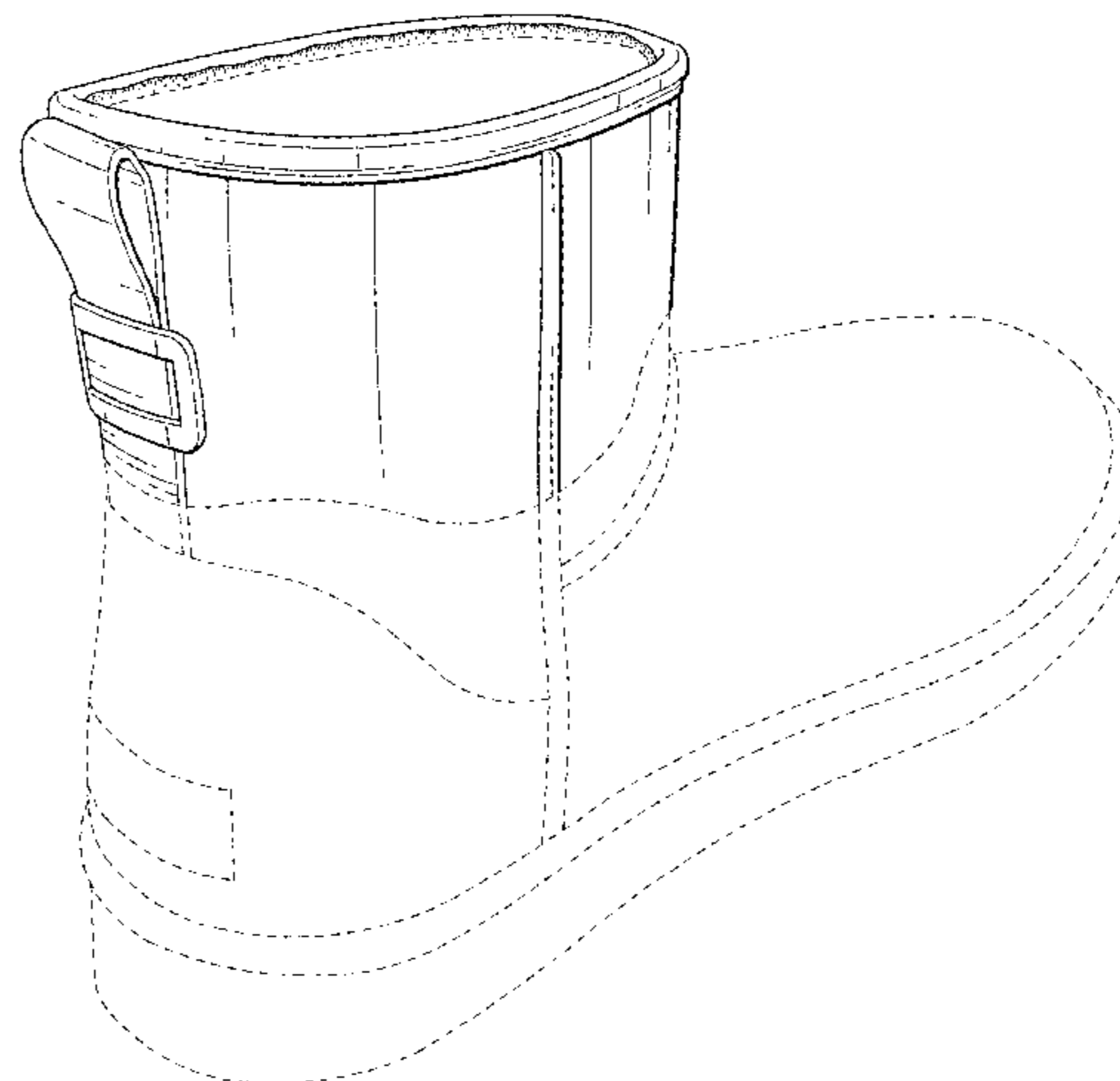
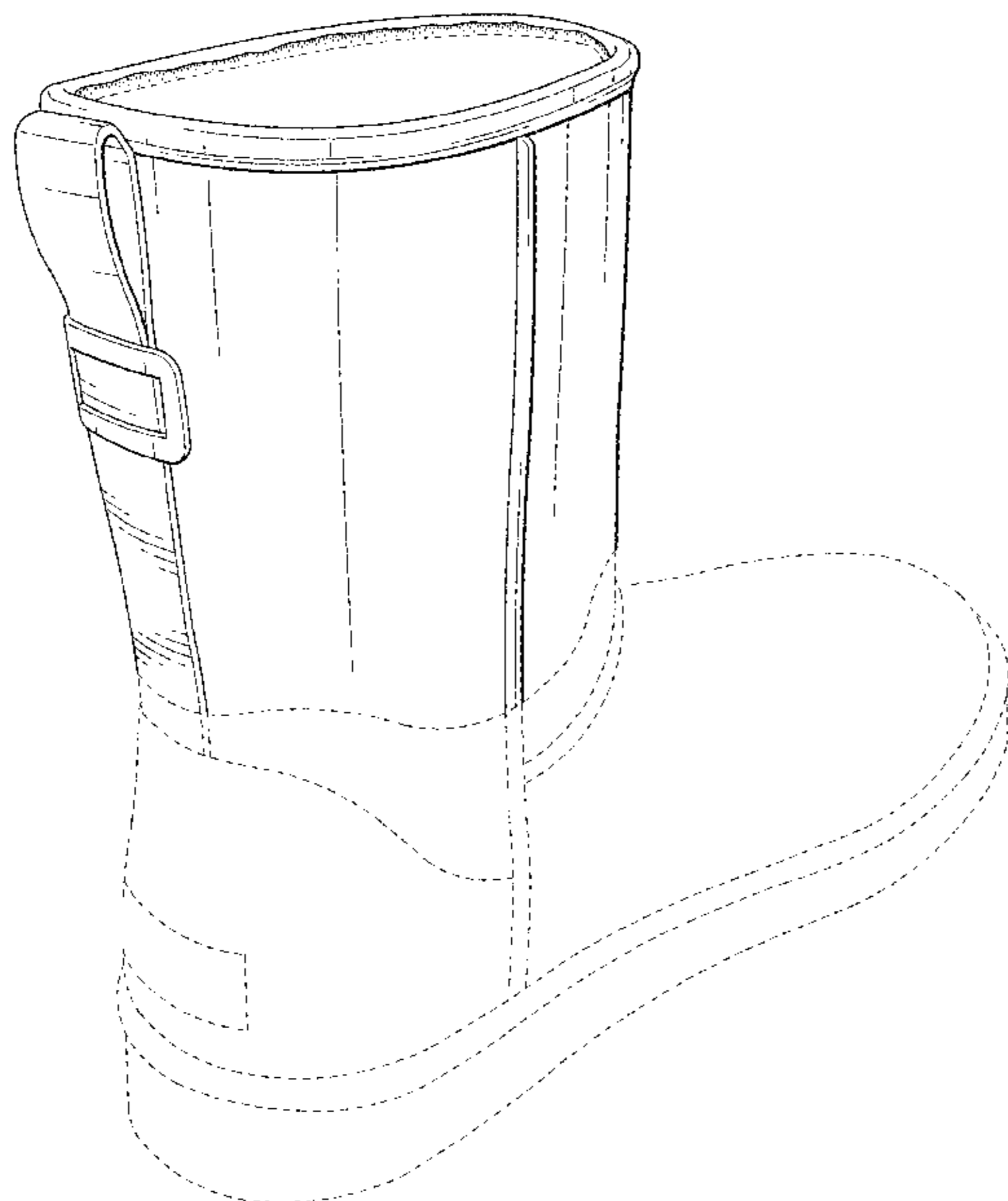
The ornamental design for a footwear upper, as shown and described.

DESCRIPTION

FIG. 1 is a rear perspective view of a footwear upper showing my new design;
 FIG. 2 is a side elevational view thereof;
 FIG. 3 is an opposite side elevational view thereof;
 FIG. 4 is a front elevational view thereof;
 FIG. 5 is a rear elevational view thereof;
 FIG. 6 is a top plan view thereof;
 FIG. 7 is a bottom plan view thereof;
 FIG. 8 is a rear perspective view of a second embodiment of the footwear upper;
 FIG. 9 is a side elevational view thereof;
 FIG. 10 is an opposite side elevational view thereof;
 FIG. 11 is a front elevational view thereof;
 FIG. 12 is a rear elevational view thereof;
 FIG. 13 is a top plan view thereof; and,
 FIG. 14 is a bottom plan view thereof.

The broken lines in FIGS. 1-14 represent portions of the footwear that form no part of the claimed design. The broken lines which define the bounds of the claimed design form no part thereof.

1 Claim, 8 Drawing Sheets



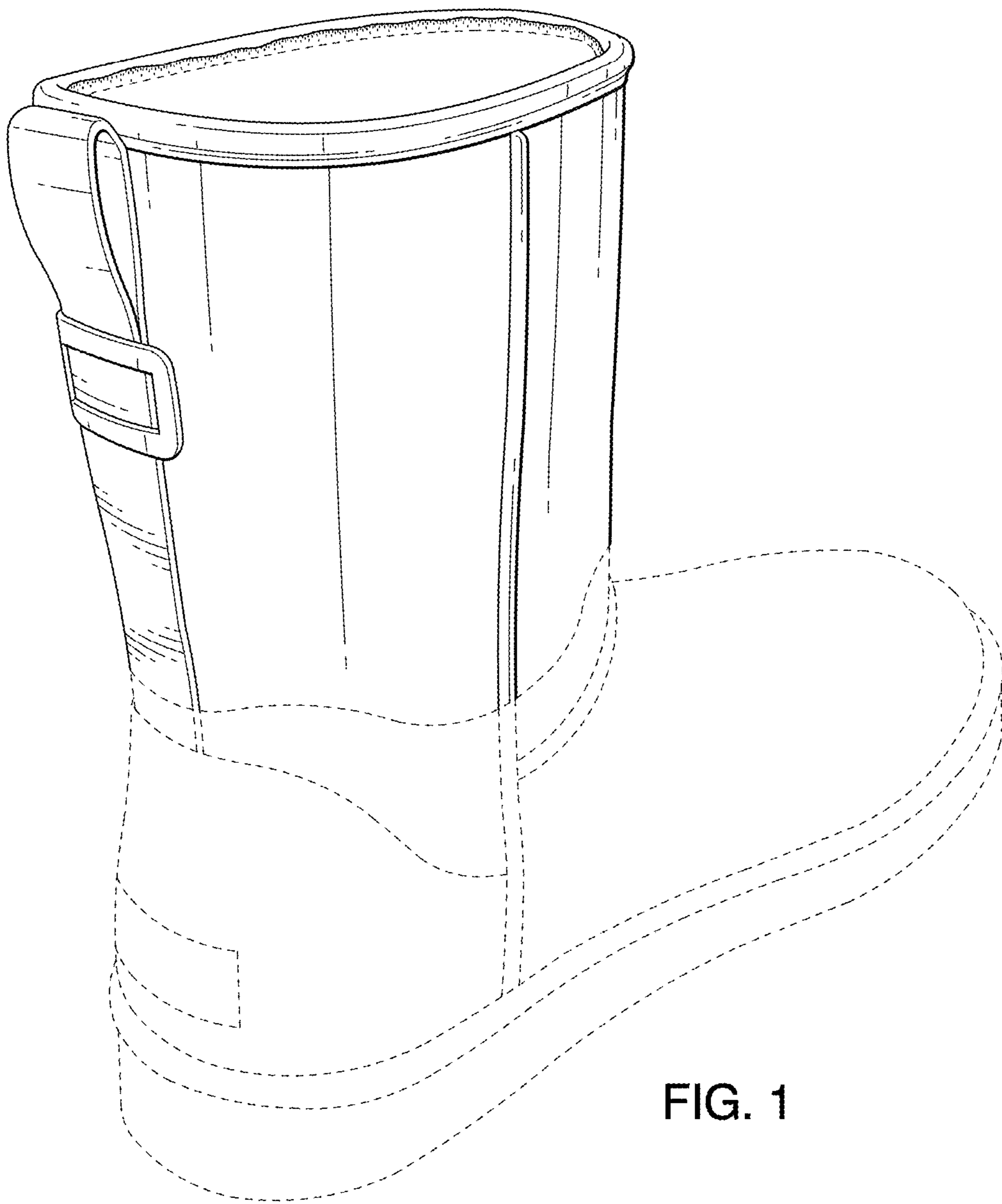


FIG. 1

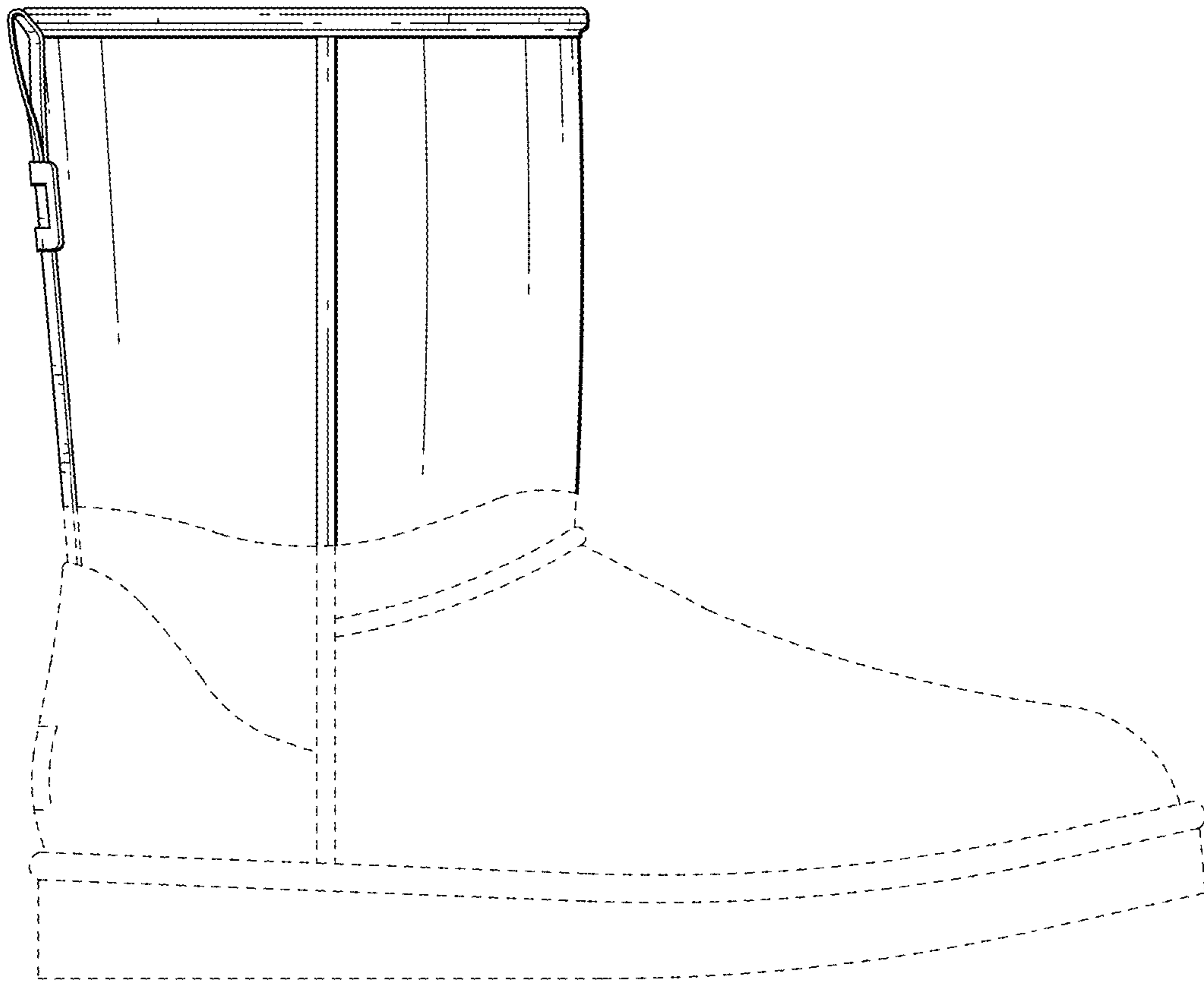


FIG. 2

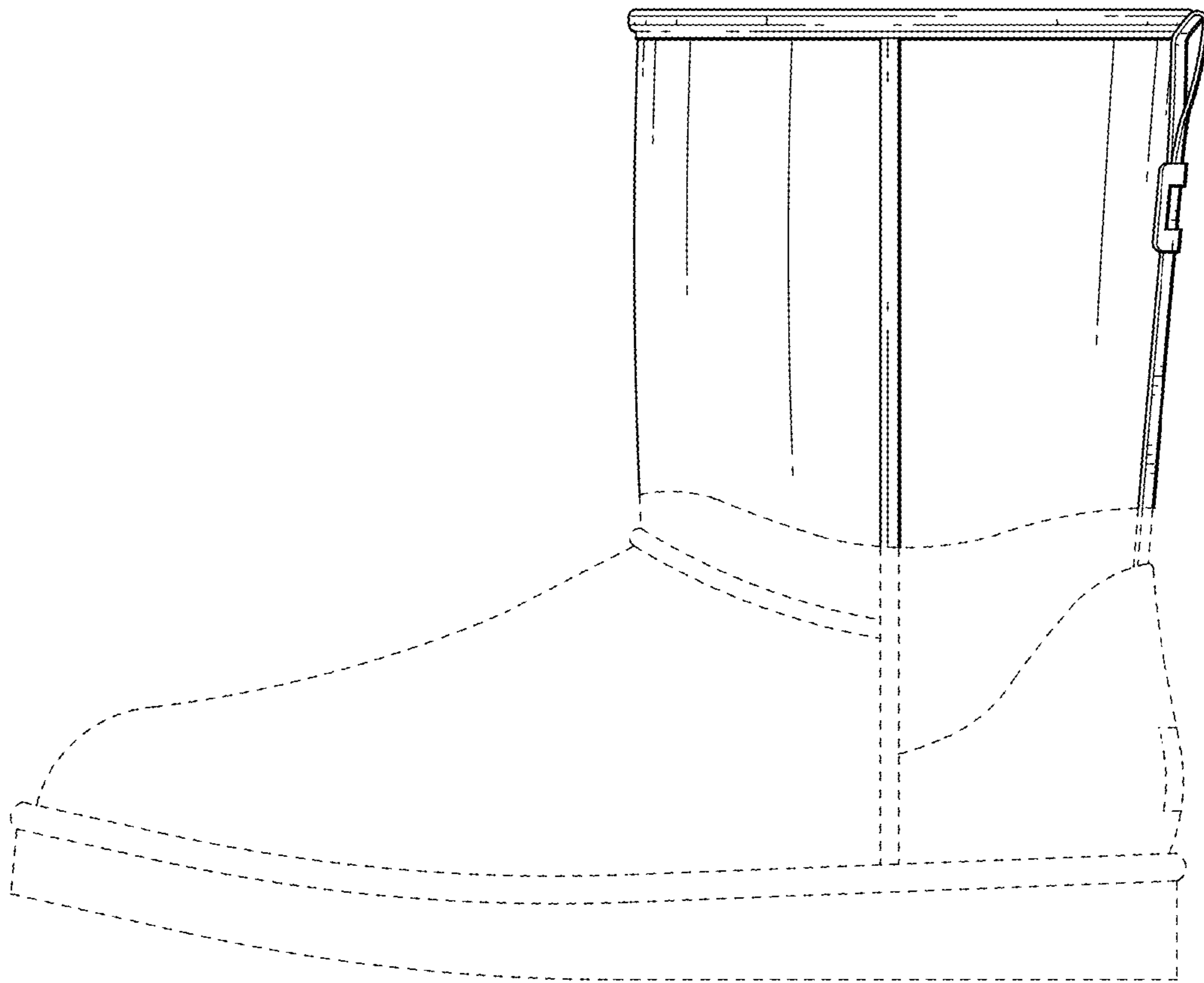


FIG. 3

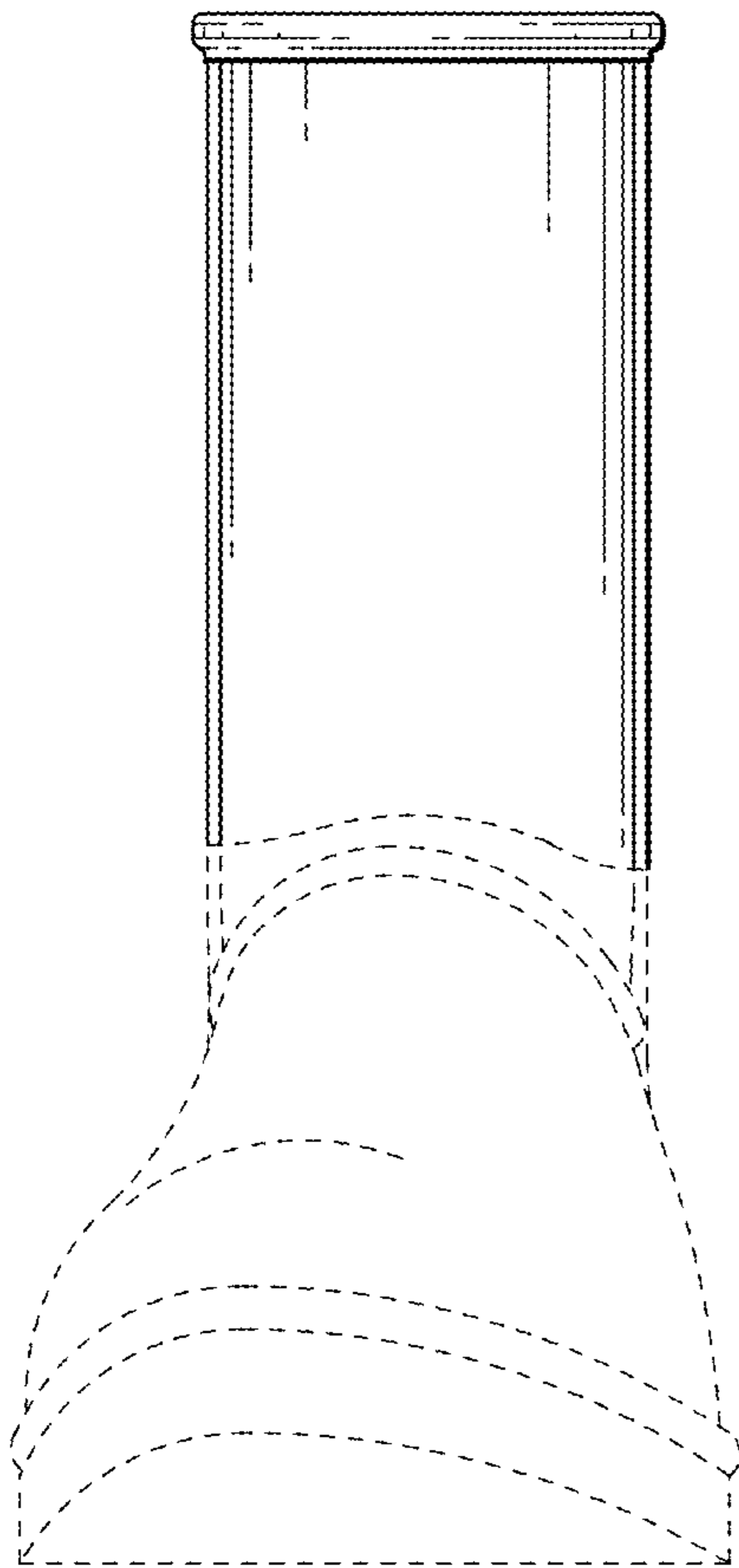


FIG. 4

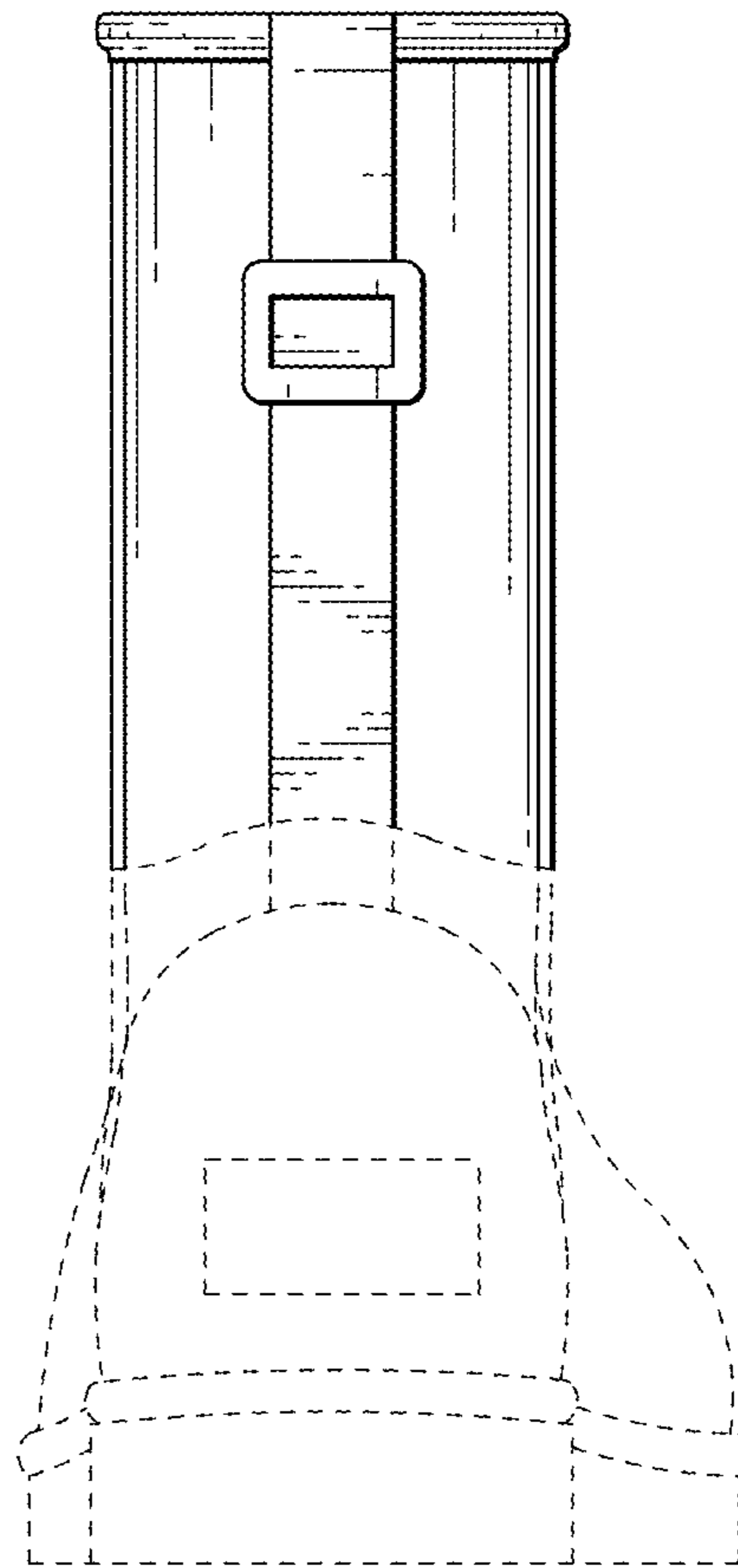


FIG. 5

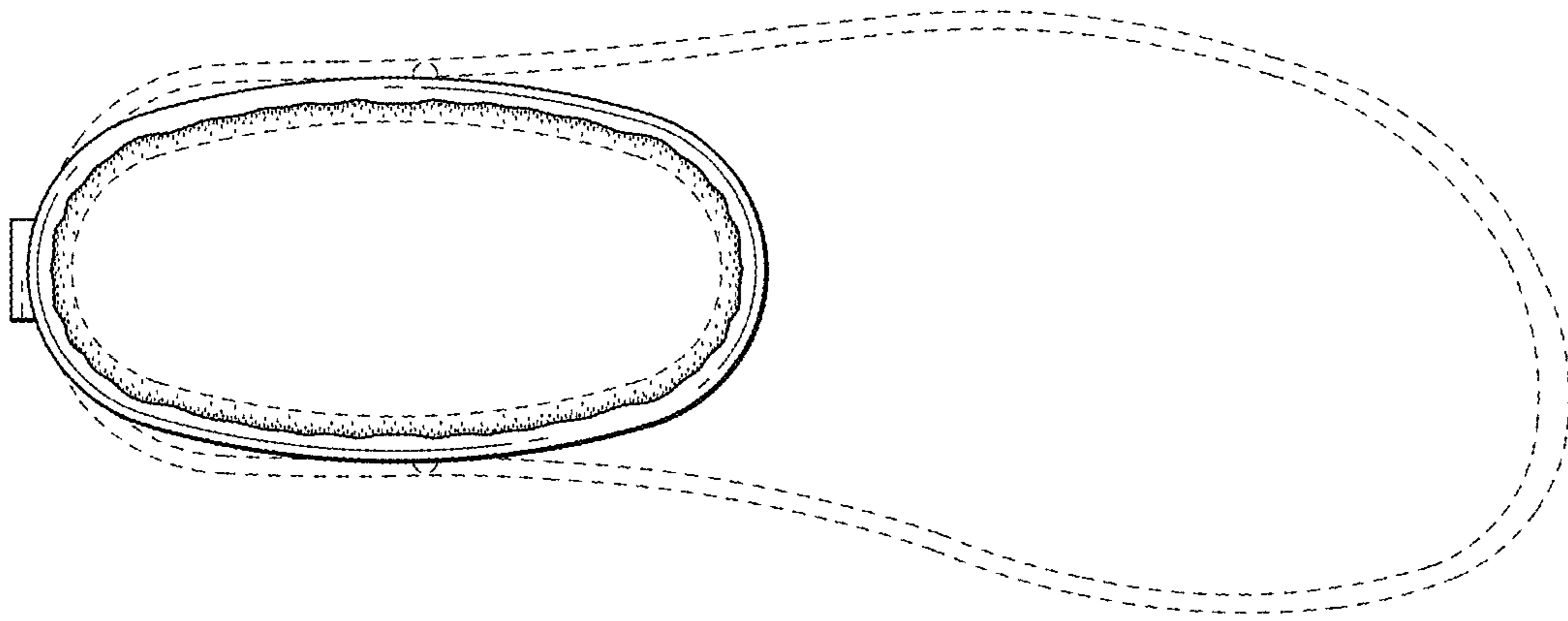


FIG. 6

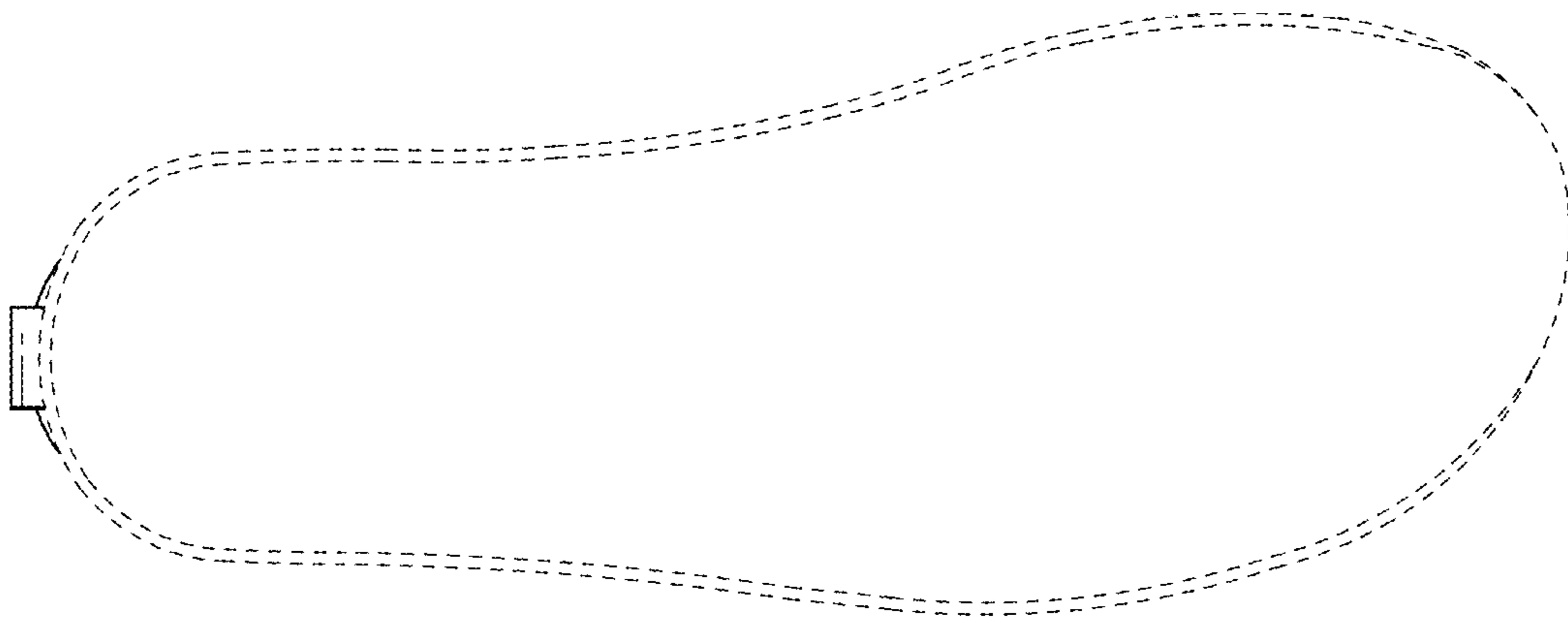
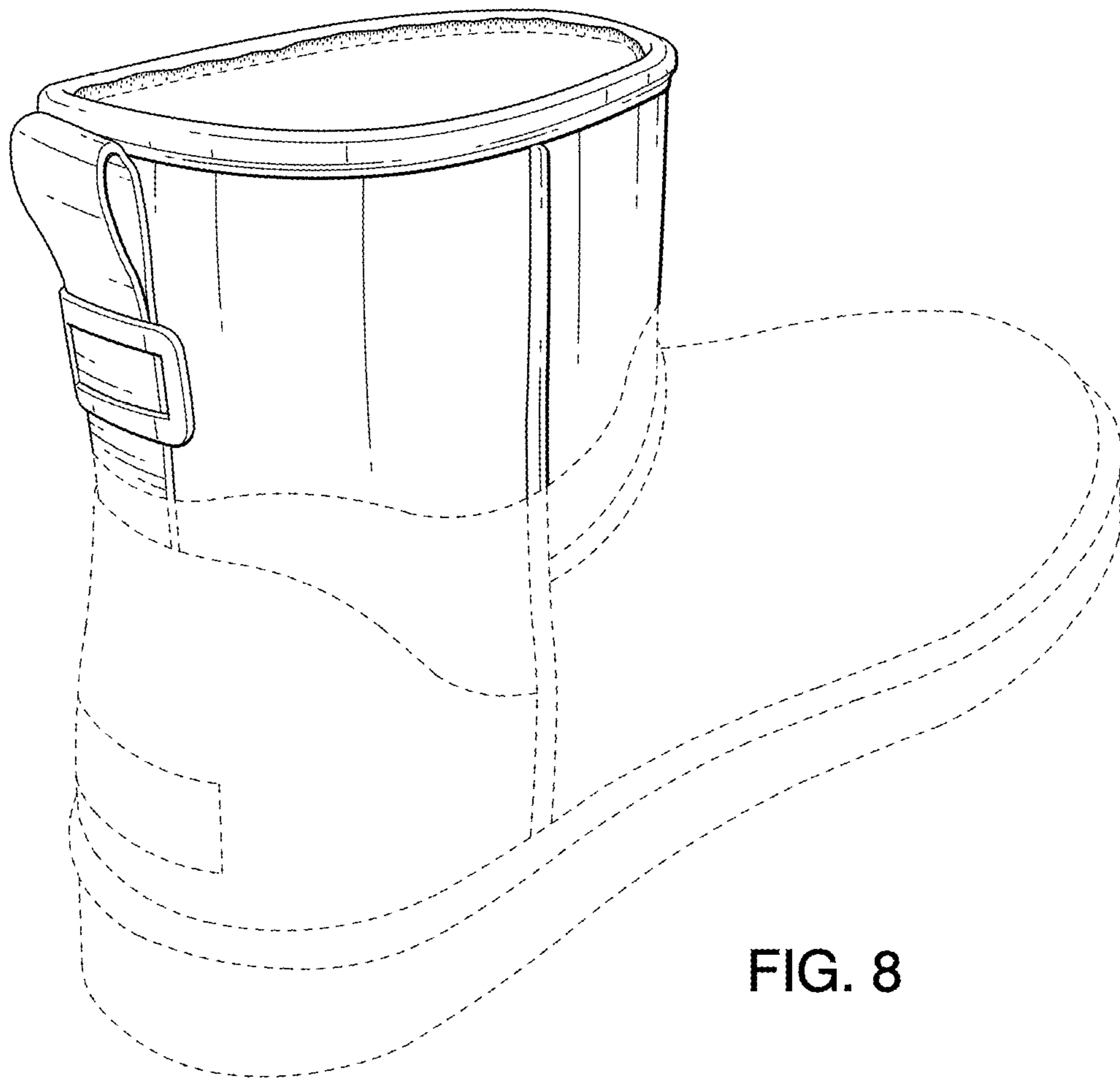


FIG. 7



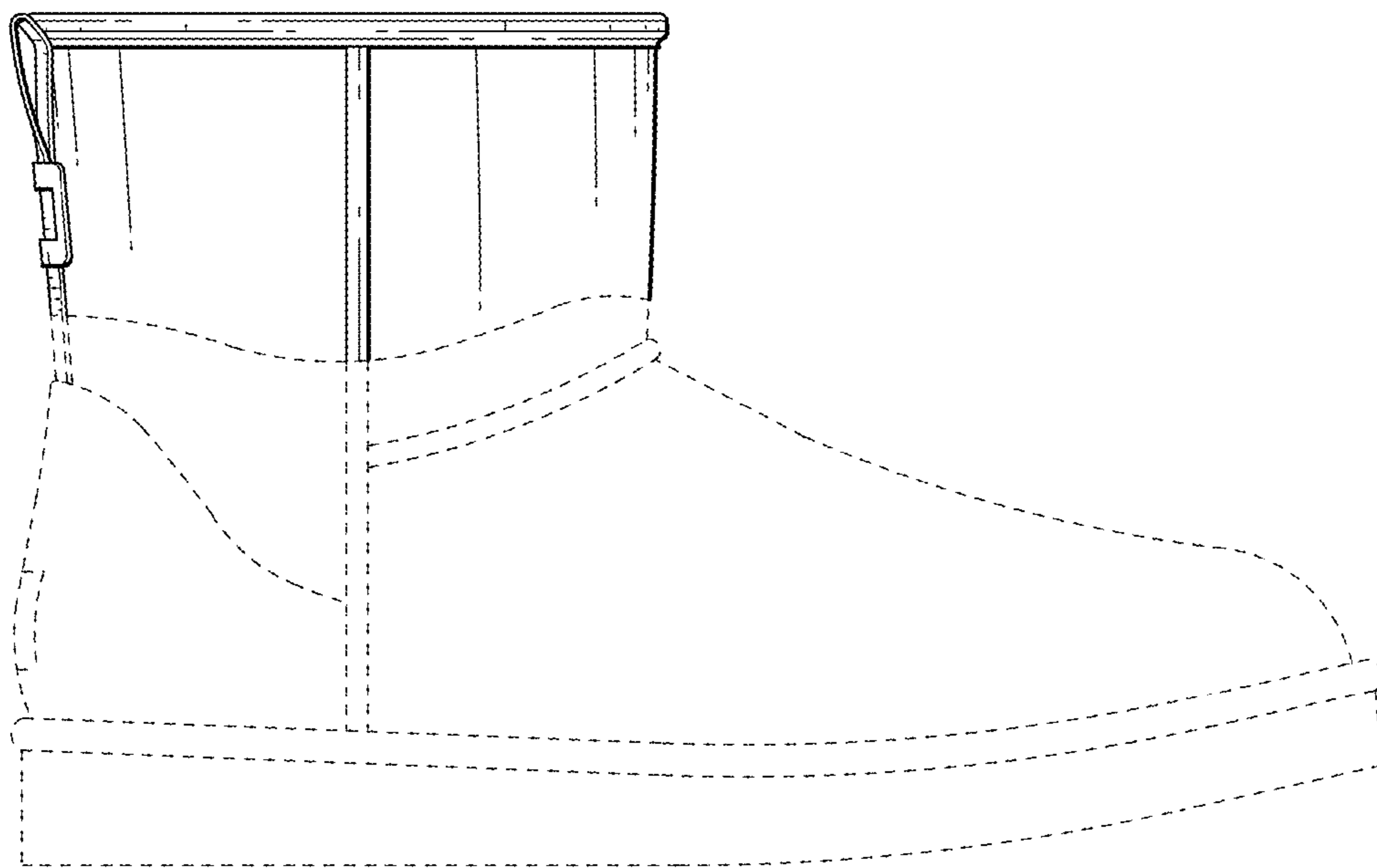


FIG. 9

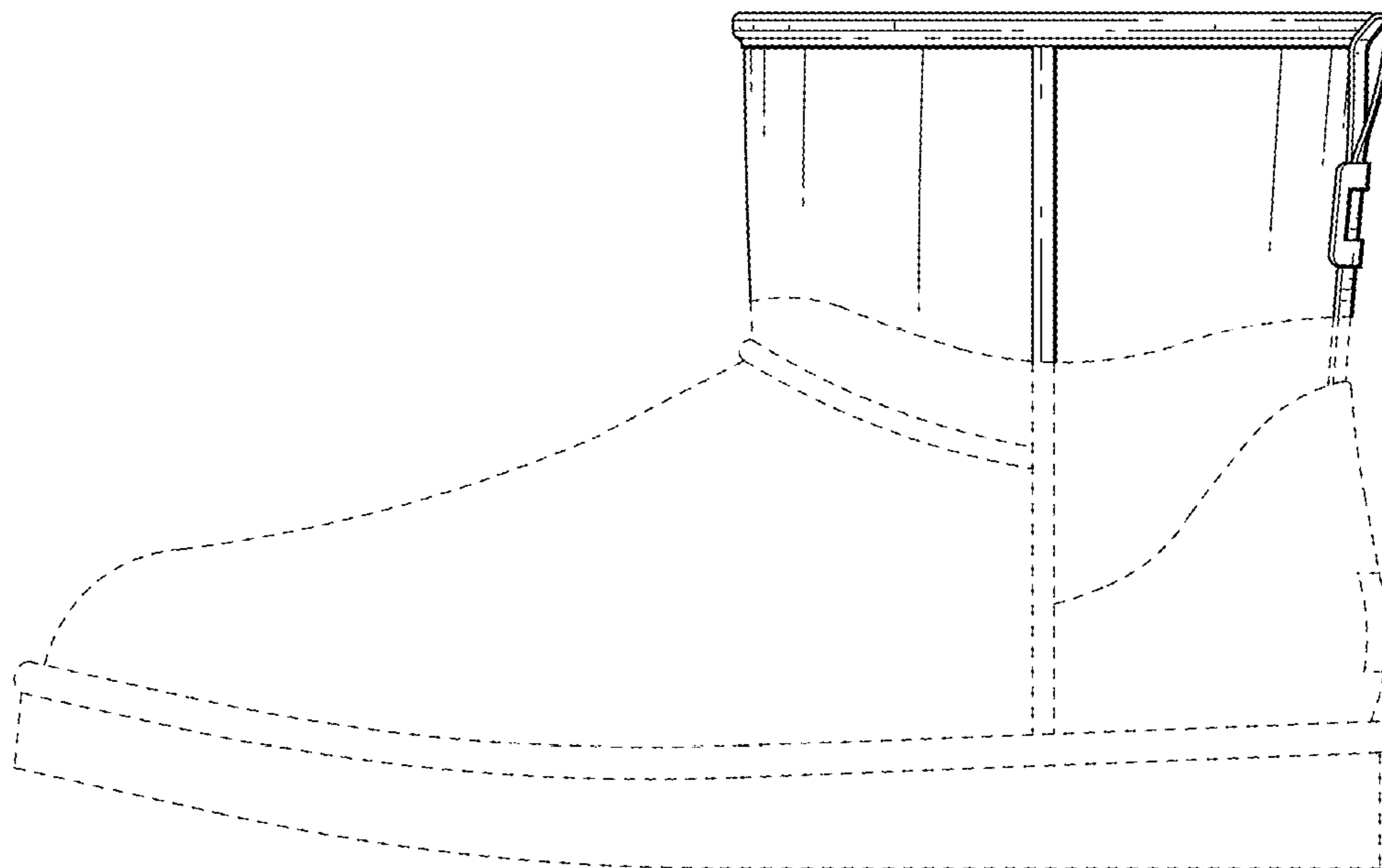


FIG. 10

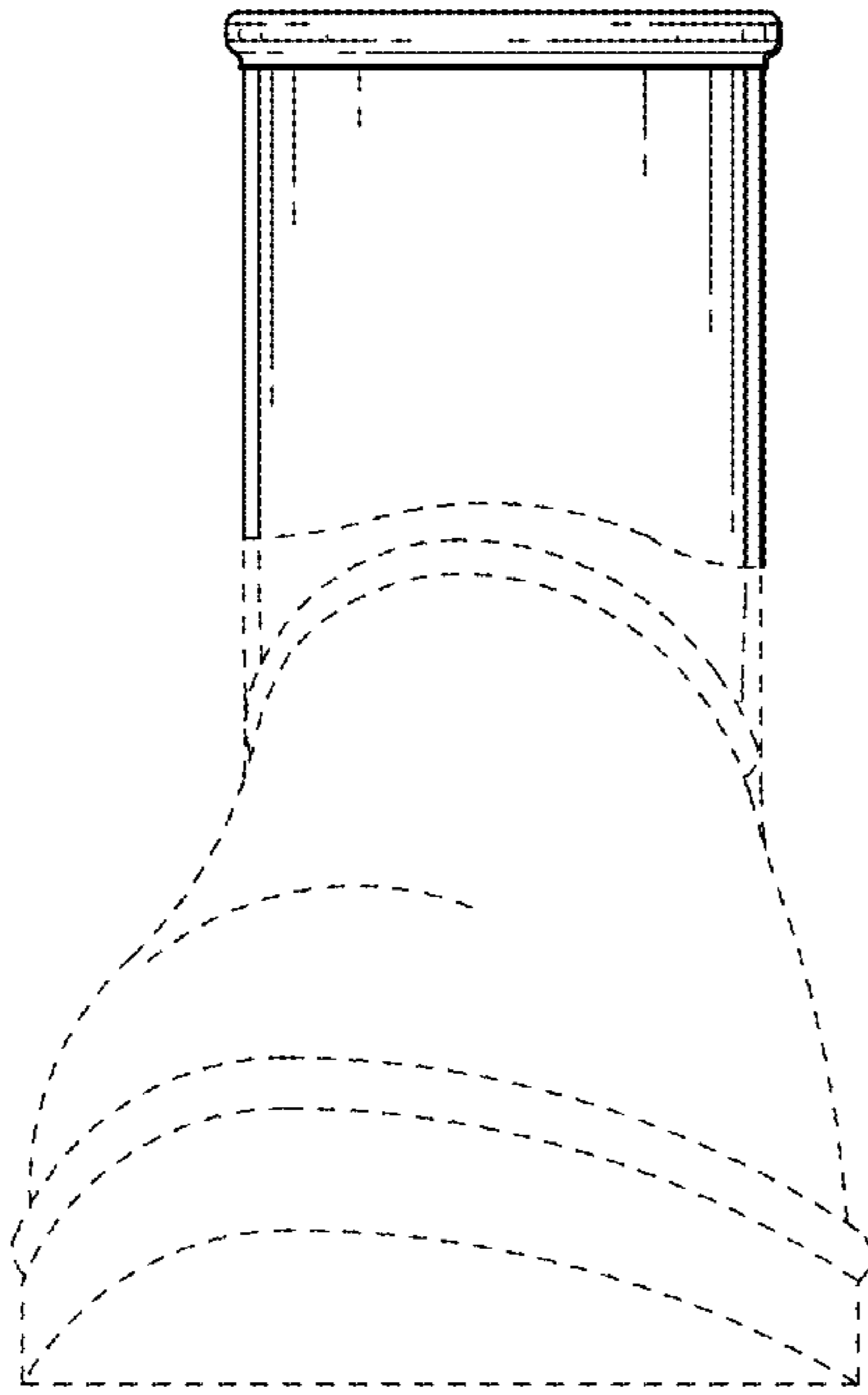


FIG. 11

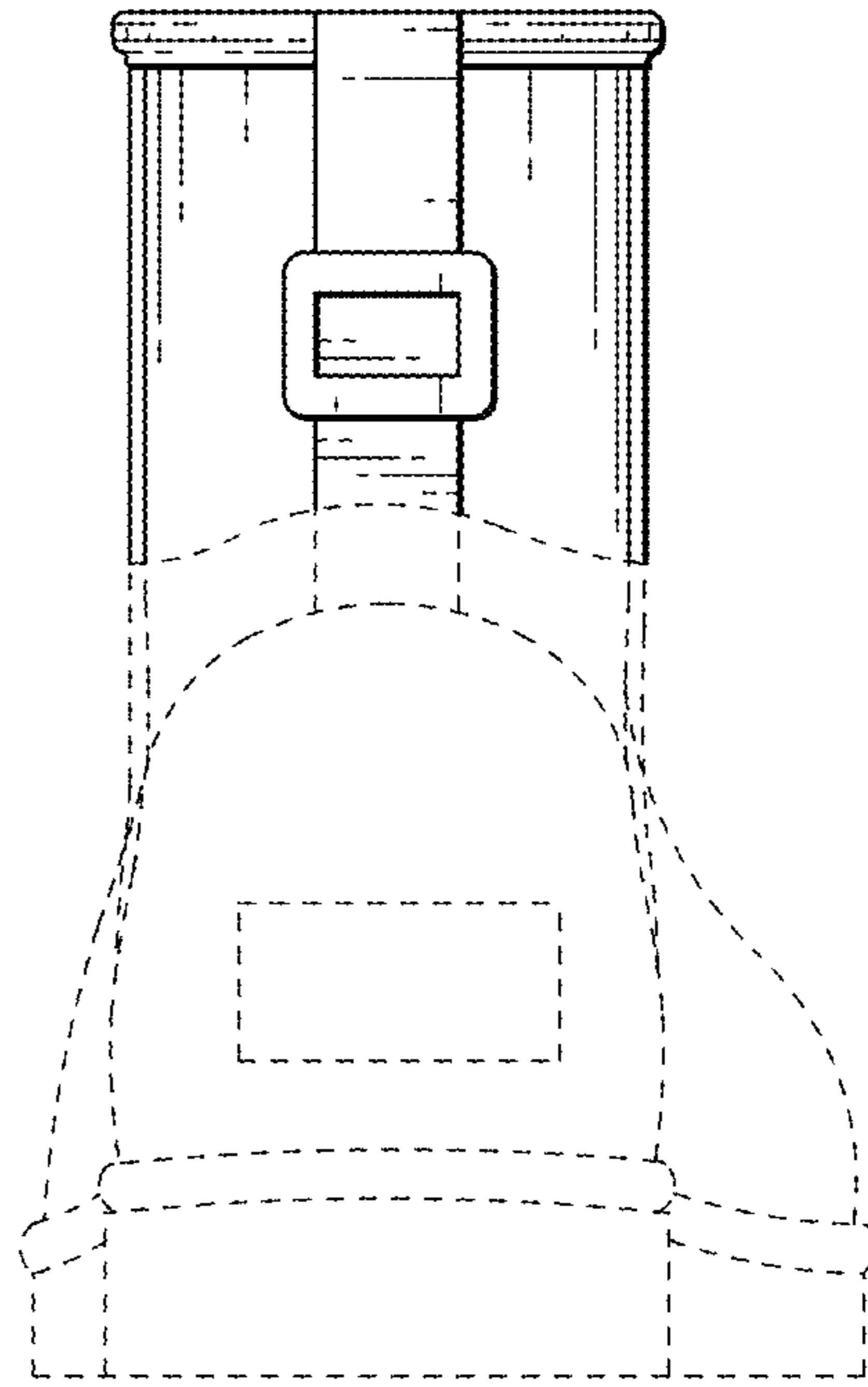


FIG. 12

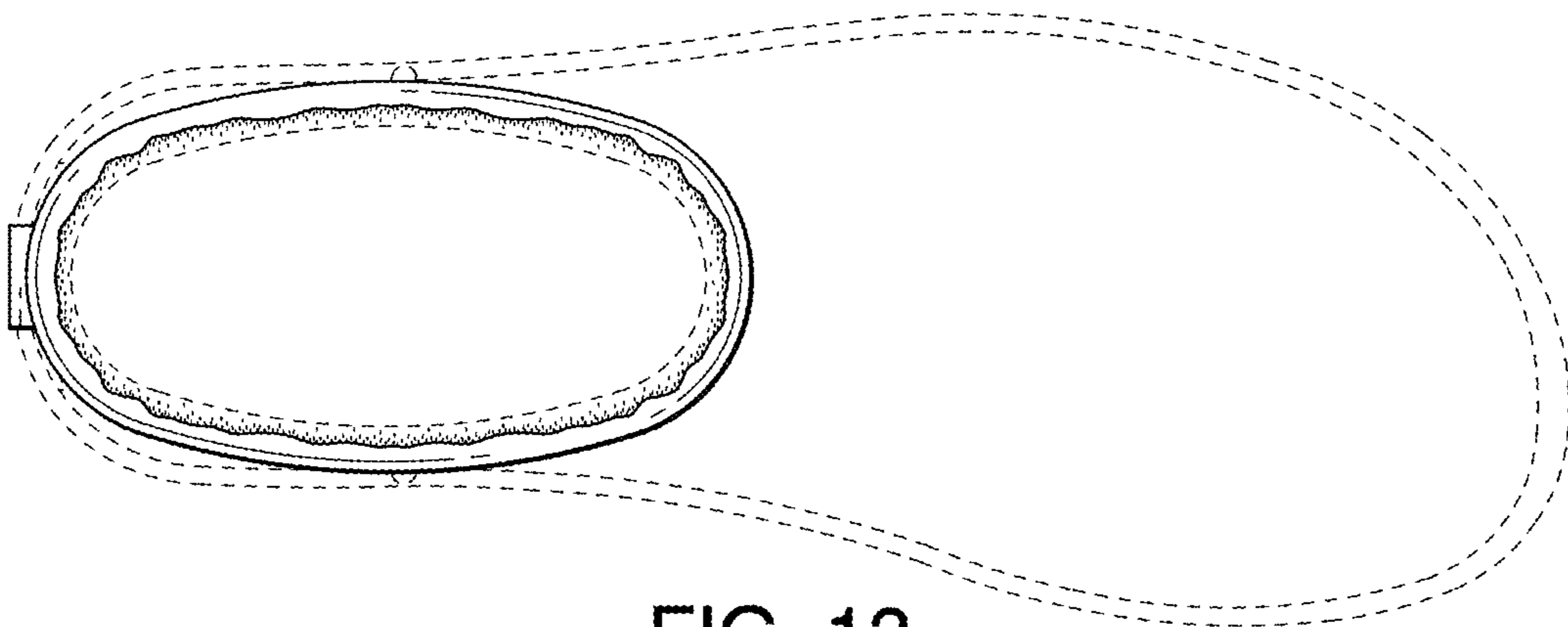


FIG. 13

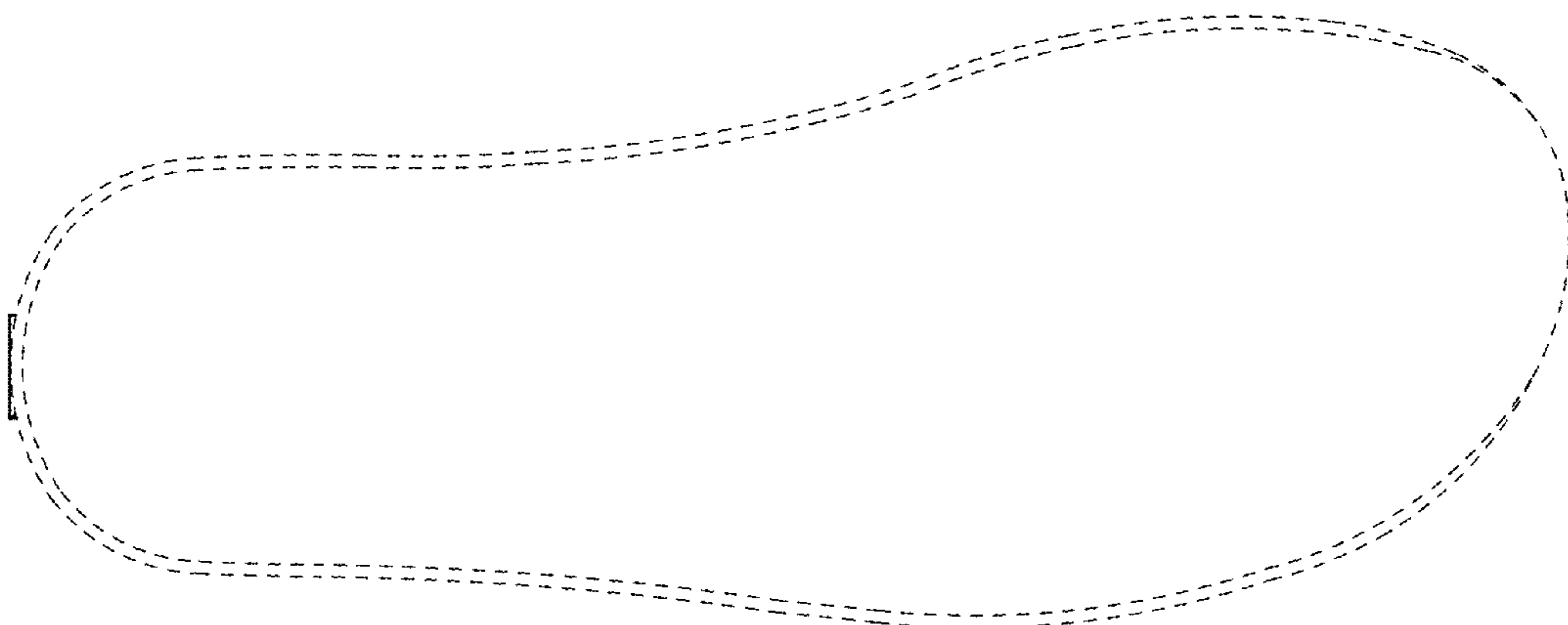


FIG. 14