



US00D768968S

(12) **United States Design Patent**
Howe et al.

(10) **Patent No.:** **US D768,968 S**

(45) **Date of Patent:** **** Oct. 18, 2016**

(54) **SHOE MIDSOLE**

(71) Applicant: **Under Armour, Inc.**, Baltimore, MD (US)

(72) Inventors: **Justin Howe**, Baltimore, MD (US);
David Dombrow, Baltimore, MD (US)

(73) Assignee: **Under Armour, Inc.**, Baltimore, MD (US)

(**) Term: **14 Years**

(21) Appl. No.: **29/508,557**

(22) Filed: **Nov. 7, 2014**

(51) **LOC (10) Cl.** **02-04**

(52) **U.S. Cl.**
USPC **D2/947; D2/951**

(58) **Field of Classification Search**
USPC D2/902, 906, 908, 916, 918, 925,
D2/946-962, 977; 36/3 B, 22 R, 24.5, 25 R,
36/28, 32 R, 34 R, 59 C, 67 A, 103
CPC A43B 13/00; A43B 13/02; A43B 13/023;
A43B 13/026; A43B 13/04; A43B 13/08;
A43B 13/10; A43B 13/12; A43B 13/14;
A43B 13/141; A43B 13/143; A43B 13/16;
A43B 13/18; A43B 13/181; A43B 13/187;
A43B 13/189; A43B 13/20; A43B 13/22;
A43B 13/223; A43B 13/24; A43B 13/28;
A43B 13/30; A43B 13/32; A43B 13/34;
A43B 13/36
See application file for complete search history.

(56) **References Cited**

U.S. PATENT DOCUMENTS

D300,781 S * 4/1989 Finn D2/918
D333,907 S * 3/1993 Greene D2/977
D368,796 S * 4/1996 Fabio D2/951
D394,343 S * 5/1998 Marshall D2/951

D467,710 S * 12/2002 Matis D2/952
D506,595 S * 6/2005 Rimple D2/916
D518,285 S * 4/2006 Schoenborn D2/977
D594,197 S * 6/2009 Mayden D2/949
D607,188 S * 1/2010 Teteriatnikov D2/946
D614,837 S * 5/2010 Teteriatnikov D2/946
D619,793 S * 7/2010 Raysse D2/946
D621,142 S * 8/2010 Teteriatnikov D2/946
D626,315 S * 11/2010 Teteriatnikov D2/946
D628,369 S * 12/2010 Teteriatnikov D2/946
D643,603 S * 8/2011 Teteriatnikov D2/946
D644,419 S * 9/2011 Raysse D2/946
D649,756 S * 12/2011 Thornhill D2/951
8,276,295 B2 * 10/2012 Shiao A43B 13/125
12/146 B
D675,815 S * 2/2013 Dazai D2/951
D683,113 S * 5/2013 Napurano D2/906
D683,121 S * 5/2013 Gross D2/961
D695,504 S * 12/2013 Harper D2/951

(Continued)

Primary Examiner — T. Chase Nelson

(57) **CLAIM**

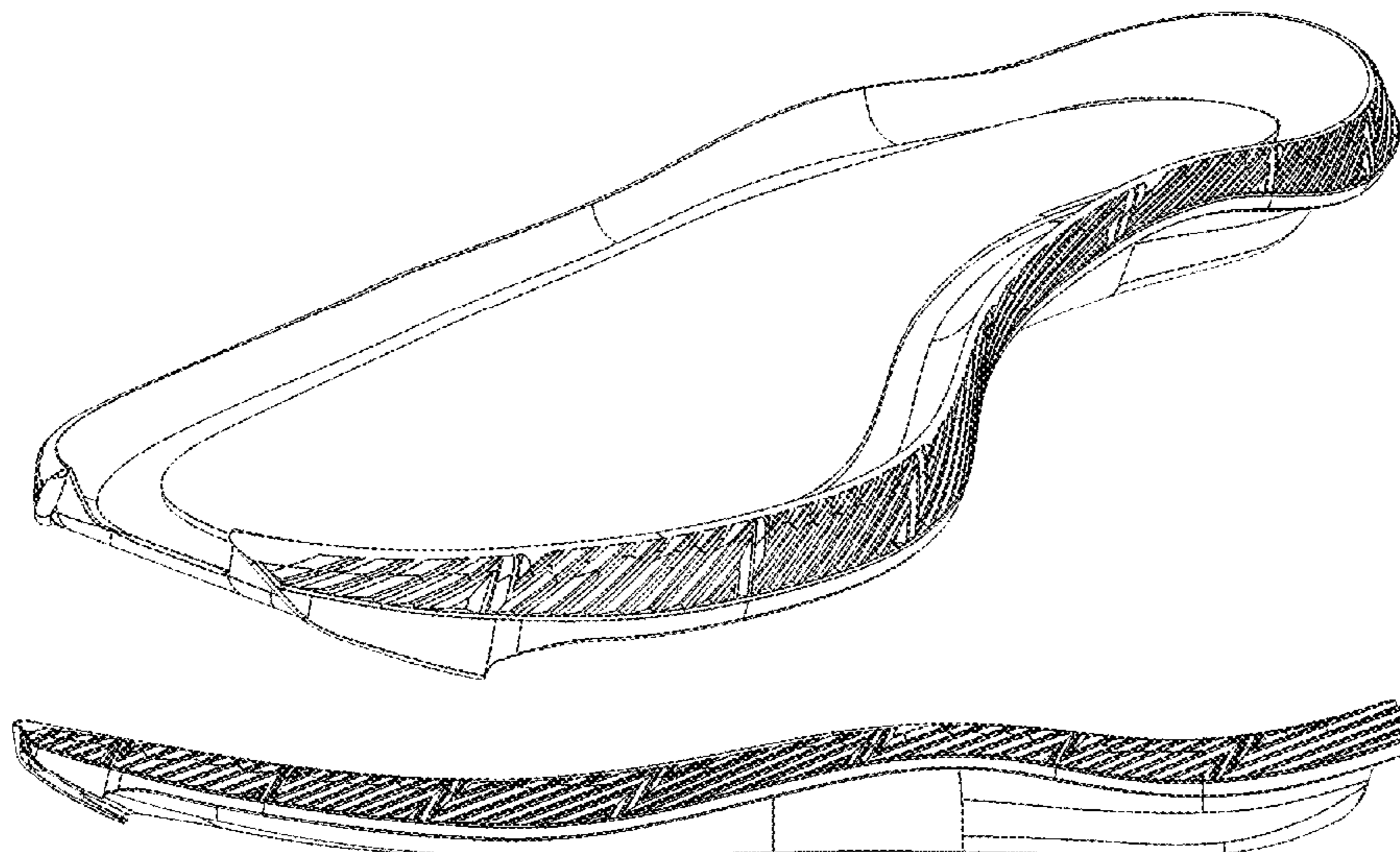
The ornamental design for a shoe midsole, as shown and described.

DESCRIPTION

FIG. 1 is a perspective view of a shoe midsole showing my new design;
FIG. 2 is a front view in elevation thereof;
FIG. 3 is a rear view in elevation thereof;
FIG. 4 is a left (medial) side view in elevation thereof;
FIG. 5 is a right (lateral) side view in elevation thereof;
FIG. 6 is a bottom plan view thereof; and,
FIG. 7 is a top plan view thereof.

The midsole illustrated is a first embodiment showing a right-footed form of the shoe midsole. A second embodiment of the shoe midsole is for the left-footed form of the shoe midsole, which is a mirror image of the right-footed form, is not illustrated.

1 Claim, 7 Drawing Sheets



(56)

References Cited

U.S. PATENT DOCUMENTS

D711,085 S *	8/2014	da Costa Pereira Machado	D2/951	2010/0088928 A1*	4/2010	Sarantakos	A43C 11/1493 36/103
D717,029 S *	11/2014	Young	D2/947	2011/0167672 A1*	7/2011	Bond	A43B 13/223 36/28
D717,034 S *	11/2014	Bramani	D2/951	2012/0023781 A1*	2/2012	Dojan	A43B 13/122 36/103
D734,008 S *	7/2015	Marvin	D2/951	2012/0210606 A1*	8/2012	Gheorghian	A43B 5/06 36/103
D748,902 S *	2/2016	Humphrey	D2/951	2014/0215849 A1*	8/2014	Litchfield	A43B 13/12 36/28
2004/0250447 A1*	12/2004	Ellis, III	F04F 5/04 36/25 R	2015/0047227 A1*	2/2015	Fallon	A43B 23/026 36/88

* cited by examiner

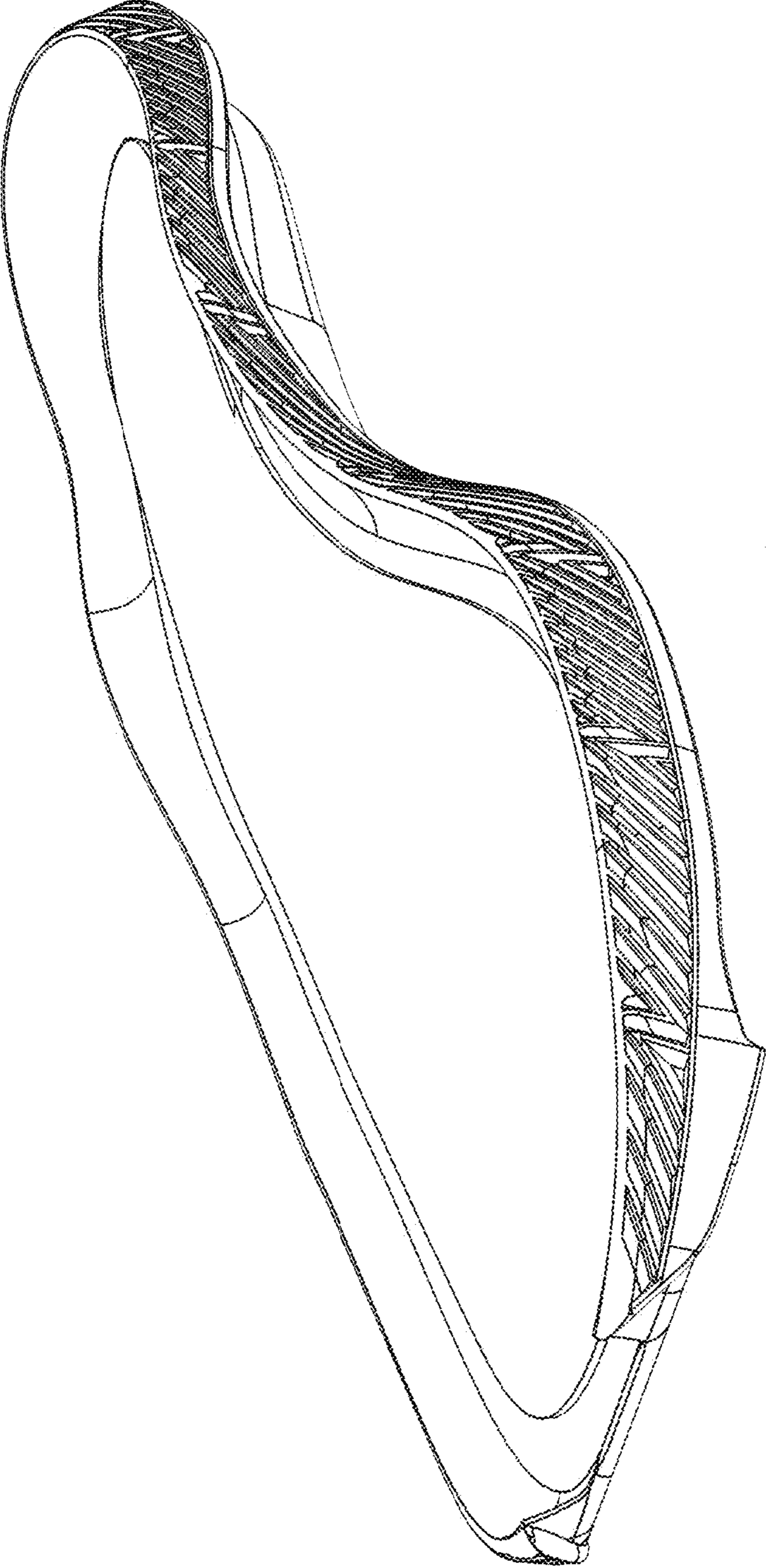


FIG.1

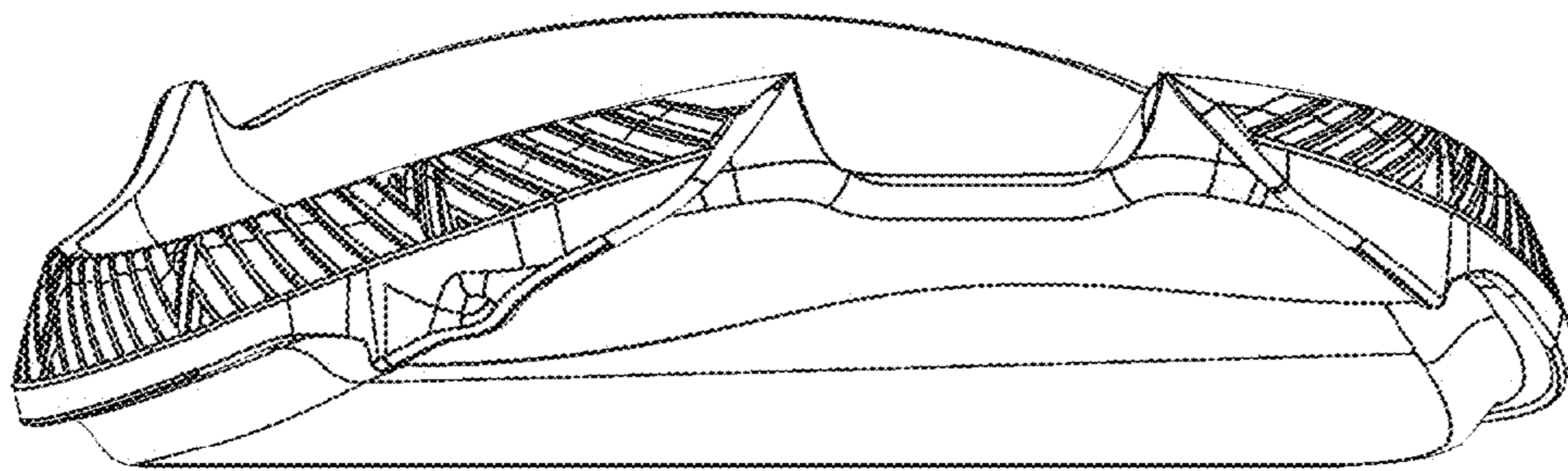


FIG.2

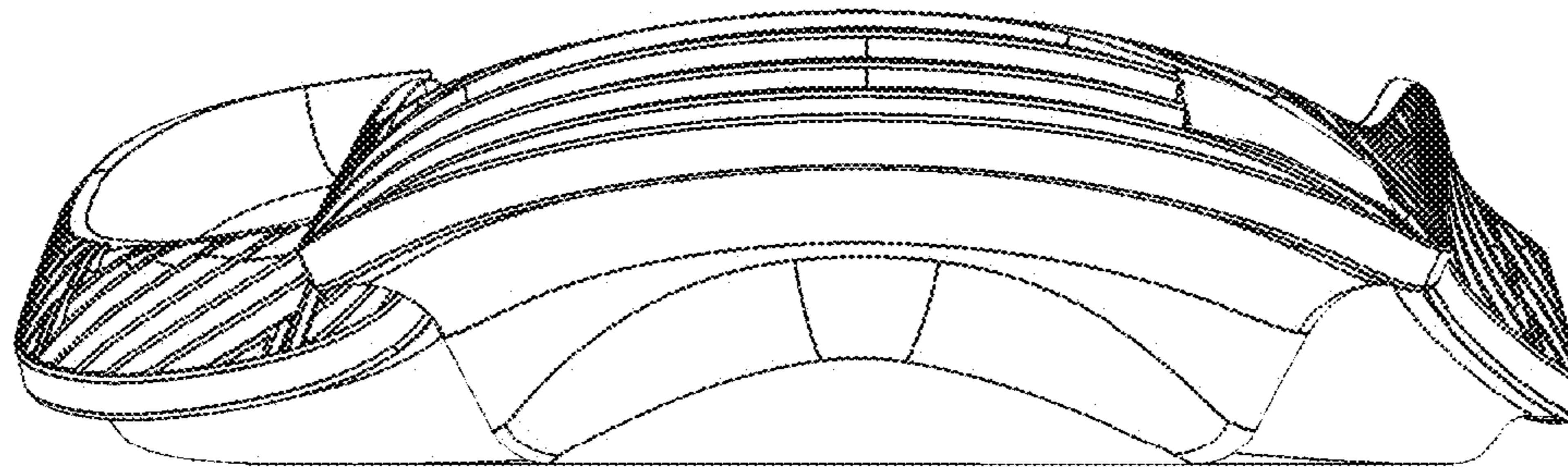


FIG.3

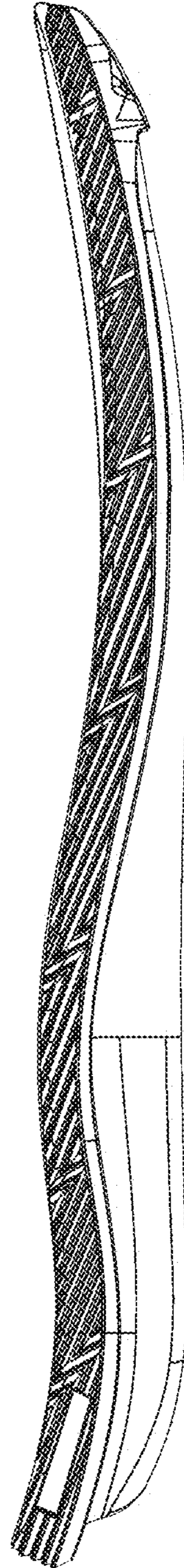


FIG.4

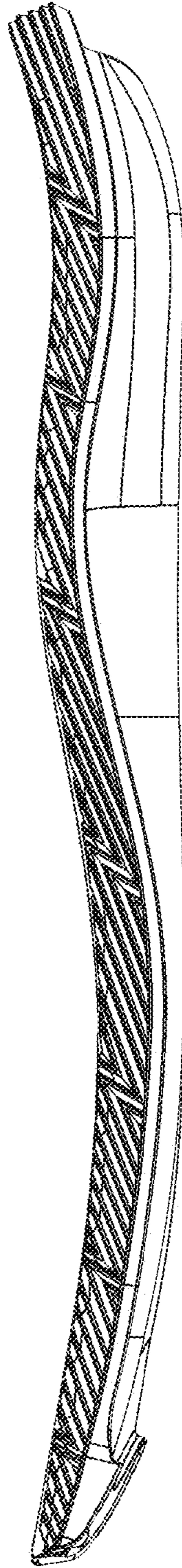


FIG.5

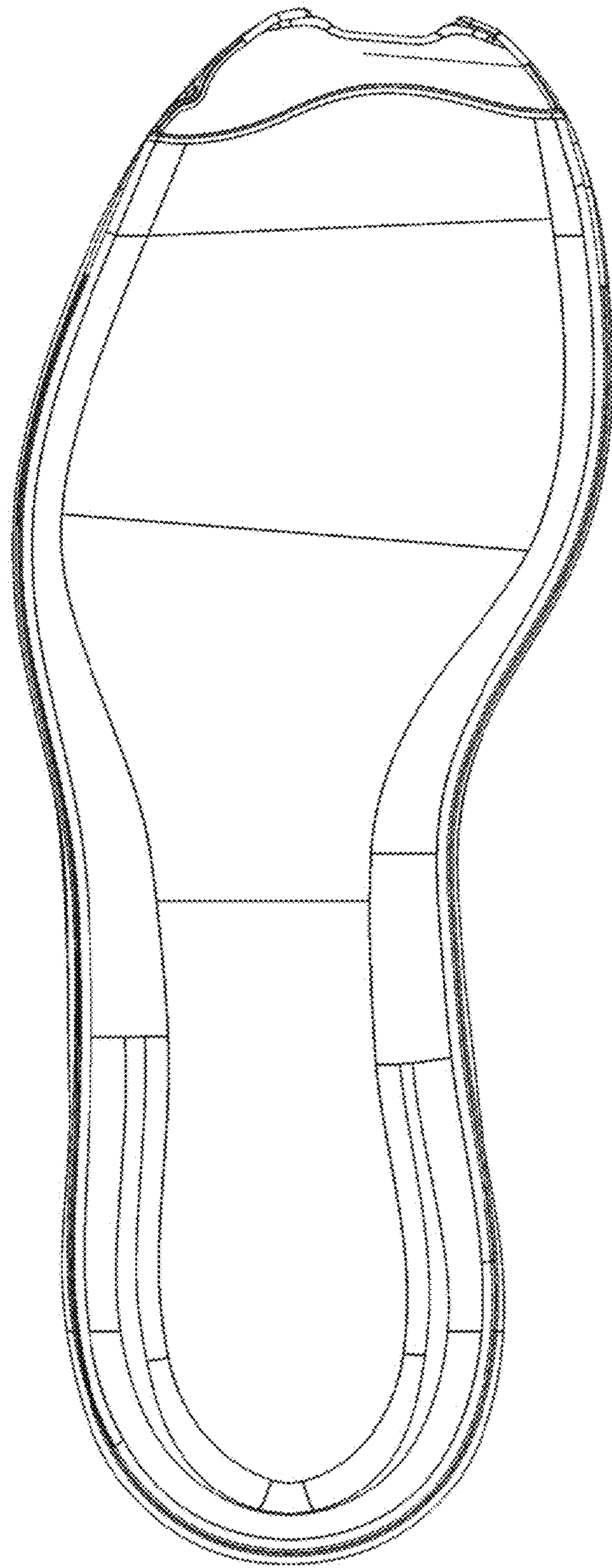


FIG.6

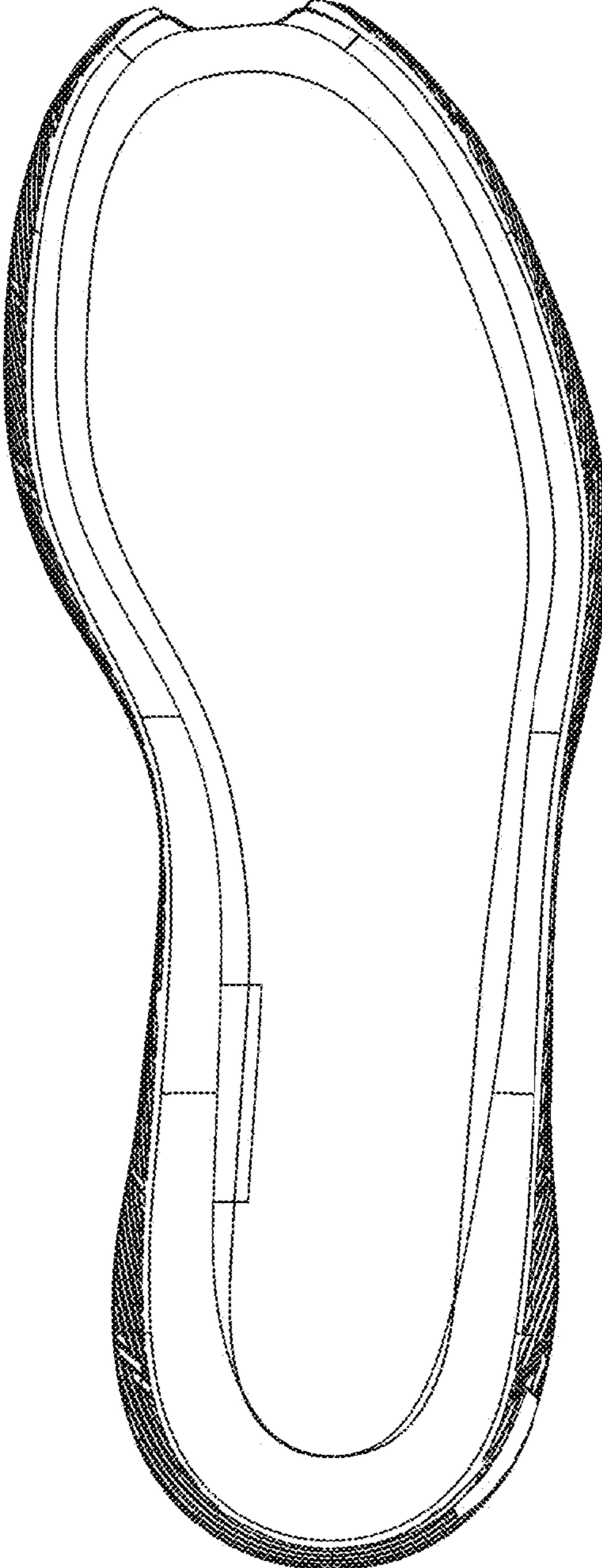


FIG. 7