



US00D768966S

(12) **United States Design Patent**  
**Denny**

(10) **Patent No.:** **US D768,966 S**  
(45) **Date of Patent:** **\*\* Oct. 18, 2016**

- (54) **HAT**
- (71) Applicant: **Zina Ann Denny**, Sultan, WA (US)
- (72) Inventor: **Zina Ann Denny**, Sultan, WA (US)
- (\*\*) Term: **15 Years**
- (21) Appl. No.: **29/540,671**
- (22) Filed: **Sep. 25, 2015**
- (51) **LOC (10) Cl.** ..... **02-03**
- (52) **U.S. Cl.**  
USPC ..... **D2/887**
- (58) **Field of Classification Search**  
USPC ..... D2/865, 866, 875, 876, 877, 878, 879,  
D2/880, 881, 882, 883, 884, 885, 886, 887,  
D2/888, 891, 893  
CPC ..... A42B 1/00; A42B 1/002; A42B 1/004;  
A42B 1/006; A42B 1/02; A42B 1/062;  
A42B 1/063; A42B 1/201; A42B 1/225  
See application file for complete search history.

(56) **References Cited**

U.S. PATENT DOCUMENTS

D1,701 S *	12/1862	Warburton's	.....	D2/888
D4,356 S *	9/1870	Wentworth	.....	D2/888
218,086 A *	7/1879	Thompson	.....	A42B 1/22 2/175.3
D35,660 S *	2/1902	Mundheim	.....	D2/888
D53,065 S *	3/1919	Delman	.....	D2/888
1,378,977 A *	5/1921	Parmley	.....	A42B 1/02 2/175.4
1,672,217 A	8/1927	Holmes		
1,689,539 A *	10/1928	Wagner	.....	A42C 5/02 2/171.2
1,775,561 A *	9/1930	Kanner	.....	A42C 5/02 2/181
1,894,213 A *	1/1933	Ostolaza	.....	A42C 5/04 2/182.1
2,094,104 A *	9/1937	Lee	.....	A42B 1/02 2/175.9
D153,538 S	9/1947	Moore		
D169,486 S *	5/1953	Hoeflich	.....	D2/887
2,725,571 A	7/1953	Young		

D175,061 S	6/1955	Young		
D175,451 S	8/1955	Young		
D280,147 S *	8/1985	Wolff	.....	D2/887
D287,062 S *	12/1986	Hancock	.....	D2/888
D350,427 S	9/1994	Vig et al.		
5,369,808 A	12/1994	Brewer et al.		
D359,383 S *	6/1995	Hutchinson	.....	D2/866
5,592,696 A	1/1997	Oliver		
D386,305 S	11/1997	Lau		
5,713,083 A	2/1998	King		
D392,926 S	3/1998	Adelaar		
6,216,277 B1 *	4/2001	Cheng	.....	A42B 1/201 2/171.03
D470,643 S *	2/2003	Brown	.....	D2/886
D474,326 S	5/2003	Williams		
7,143,451 B2	12/2006	Lungren		
D538,513 S	3/2007	Serratelli		
7,454,799 B2	11/2008	Wuensche et al.		
D604,930 S	12/2009	Denny		

(Continued)

*Primary Examiner* — Karen E. Eldridge Powers  
*Assistant Examiner* — Jasmine Mlinarcik  
(74) *Attorney, Agent, or Firm* — Greard Carlson, Agent

(57) **CLAIM**

The ornamental design for a hat, as shown and described.

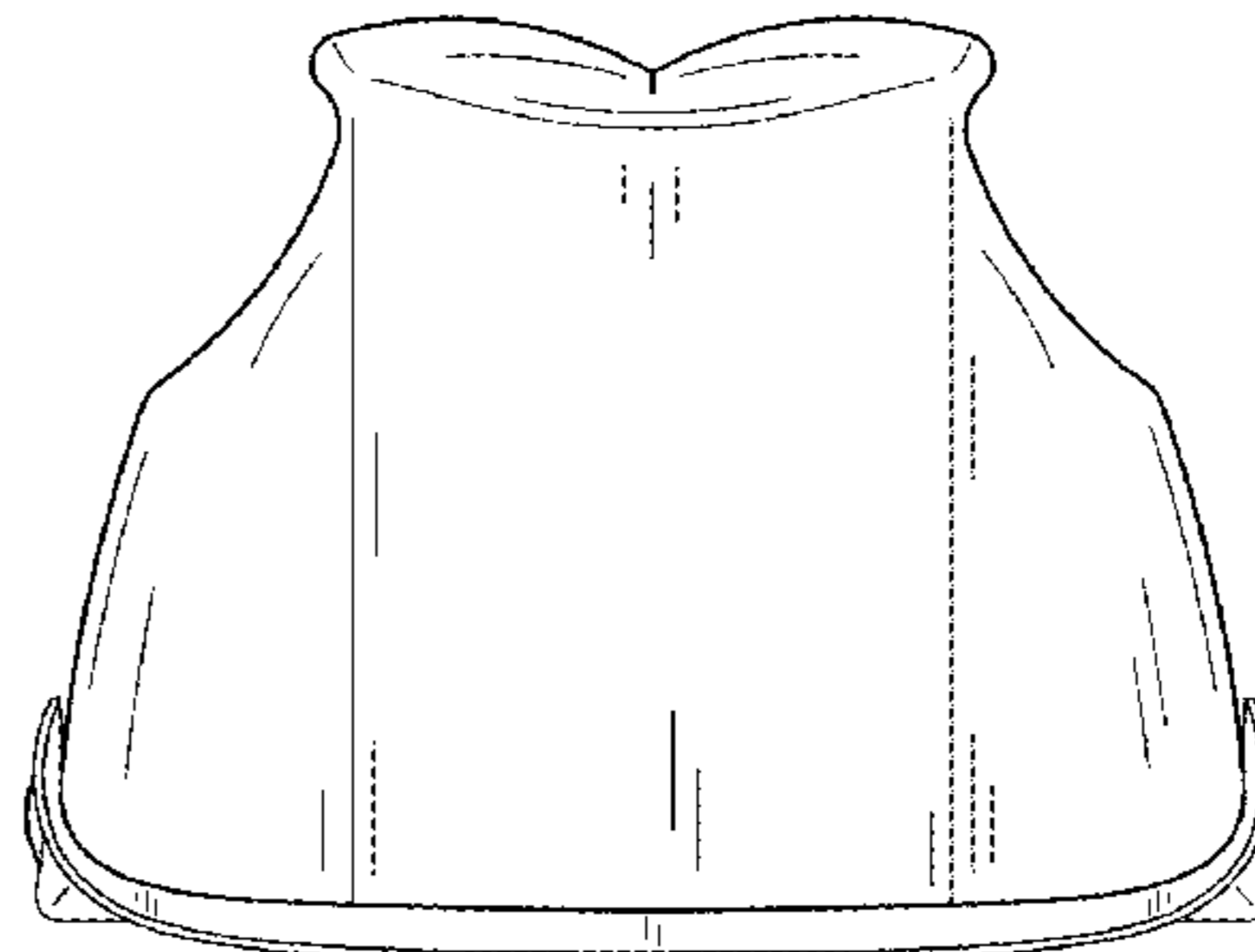
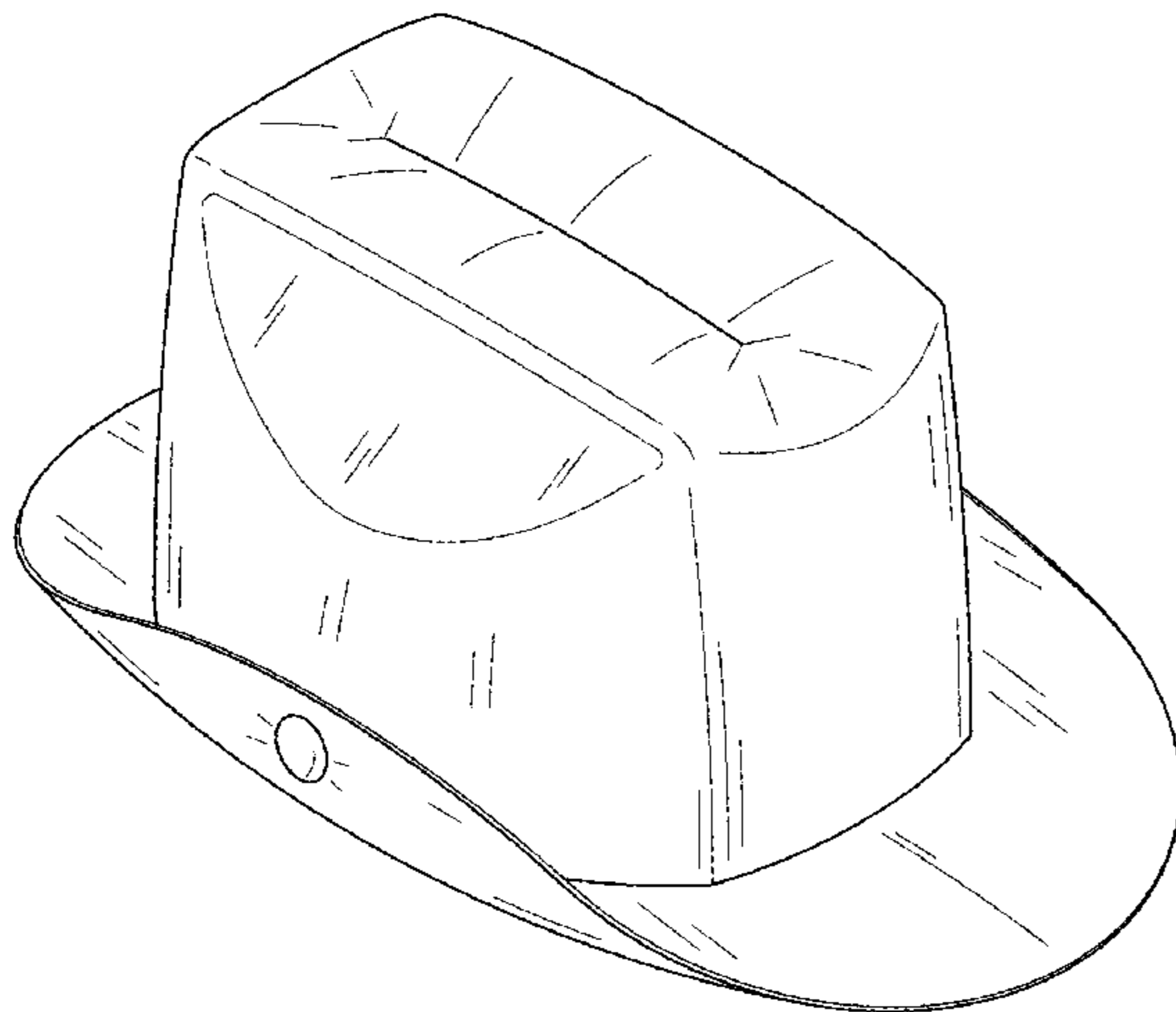
**DESCRIPTION**

This application is related to the following co-pending applications application Ser. No. 14/750,032, "Cowboy Style Hat" by Zina Denny filed on Jun. 25, 2015 application Ser. No. 29/507,664, "Hat" by Zina Denny filed on Oct. 30, 2014 application Ser. No. 29/507,662, "Hat" by Zina Denny filed on Oct. 30, 2014.

FIG. 1 is a right frontal perspective view of the hat;  
FIG. 2 is a left rear perspective view of the hat;  
FIG. 3 is a top plan view of the hat;  
FIG. 4 is a right side elevation view of the hat; the other side is a mirror image thereof and is not shown;  
FIG. 5 is a front elevation view of the hat; and,  
FIG. 6 is a rear elevation view of the hat.

The hat is characterized by a distinctive crown and brim.

**1 Claim, 4 Drawing Sheets**



# US D768,966 S

Page 2

---

(56)

## References Cited

### U.S. PATENT DOCUMENTS

D605,380 S	12/2009	Denny		D654,253 S	2/2012	Belschner et al.	
D606,287 S	12/2009	Denny		D654,254 S	2/2012	Denny	
D637,378 S *	5/2011	Cornwell .....	D2/887	D657,536 S *	4/2012	Randolph .....	D2/887
D654,252 S *	2/2012	Denny .....	D2/887	D665,561 S	8/2012	Denny	
				D749,307 S *	2/2016	Denny .....	D2/887
				2006/0048272 A1 *	3/2006	Tison .....	A42B 1/02 2/175.1

\* cited by examiner

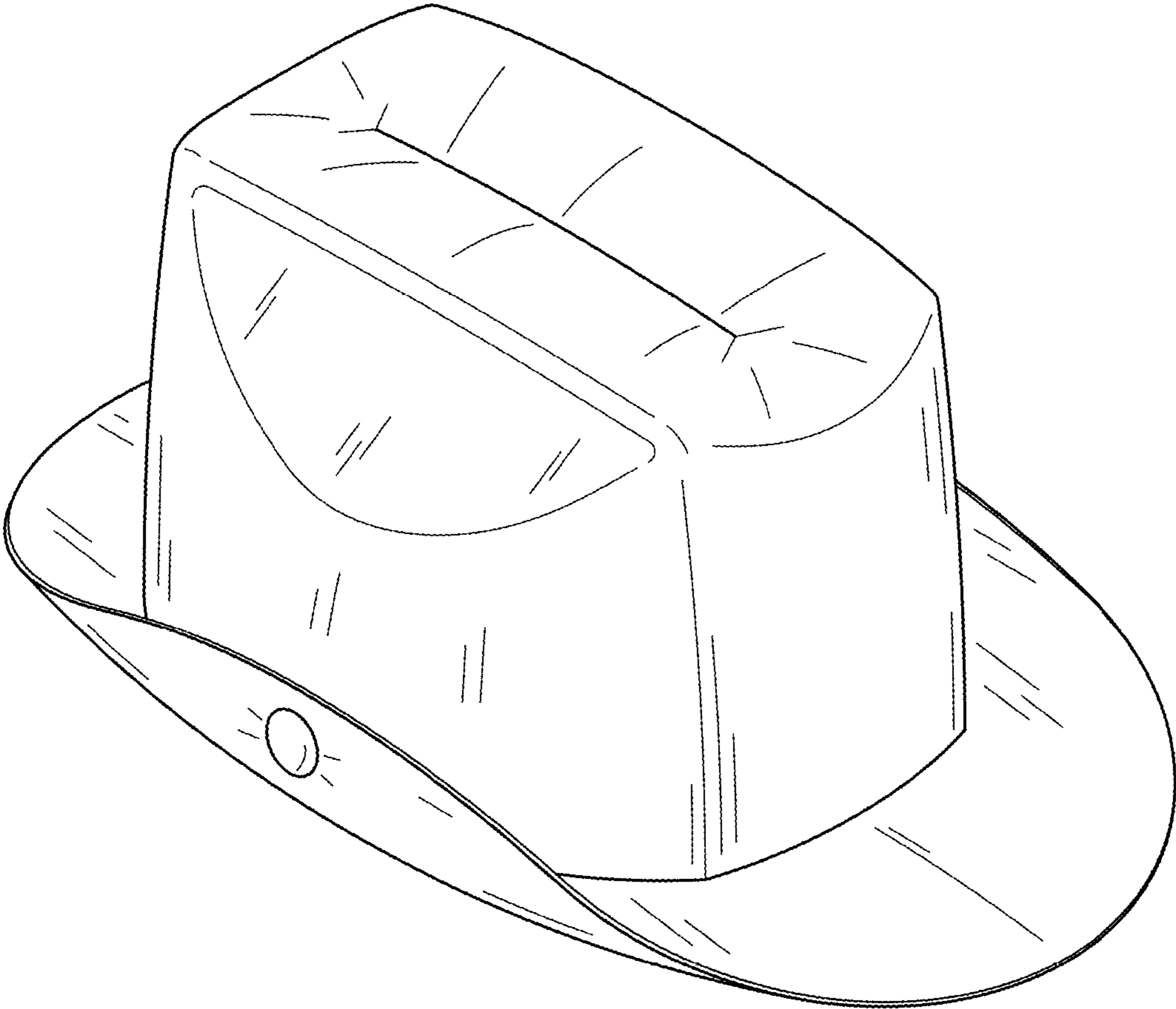


FIG. 1

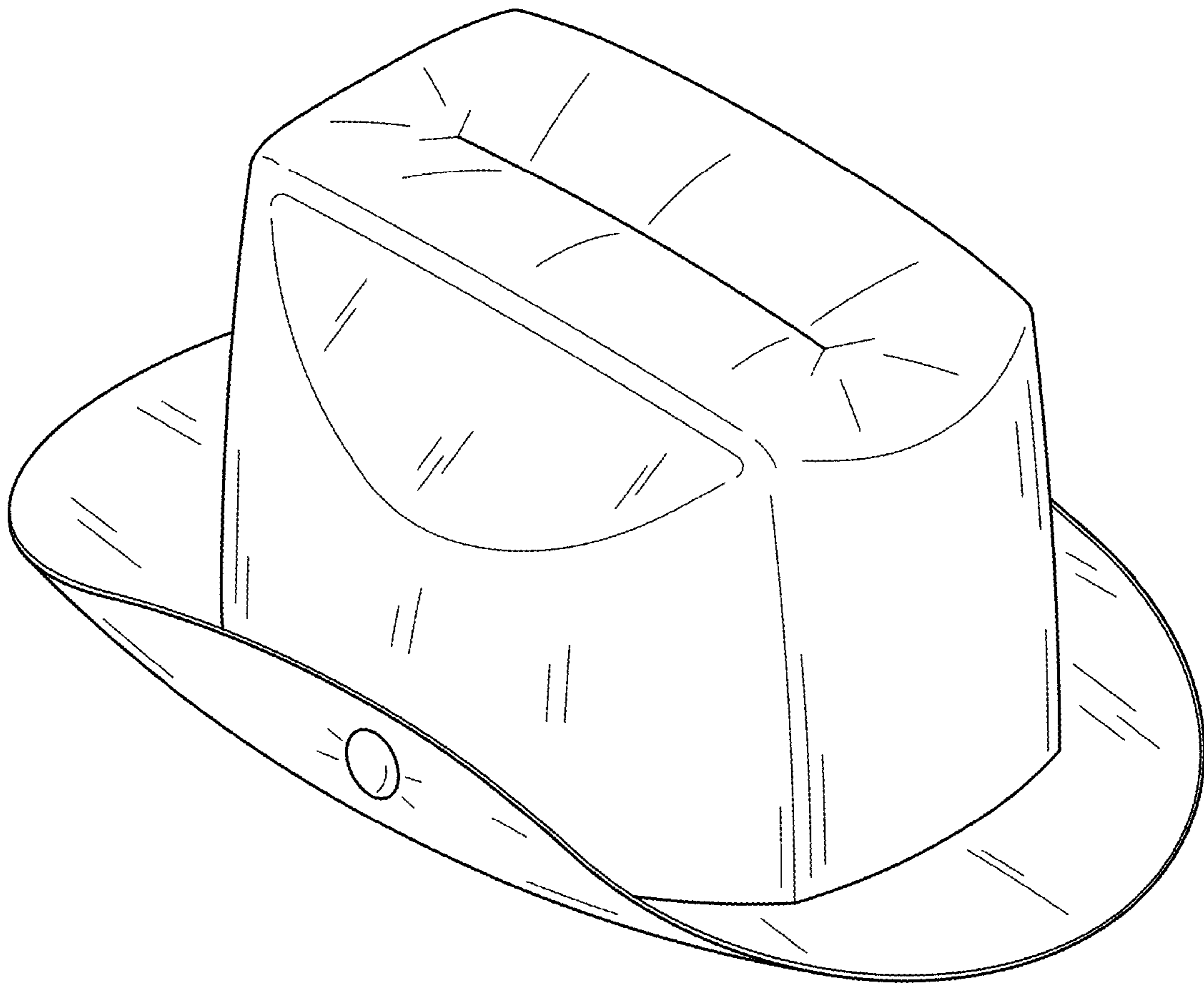


FIG. 2

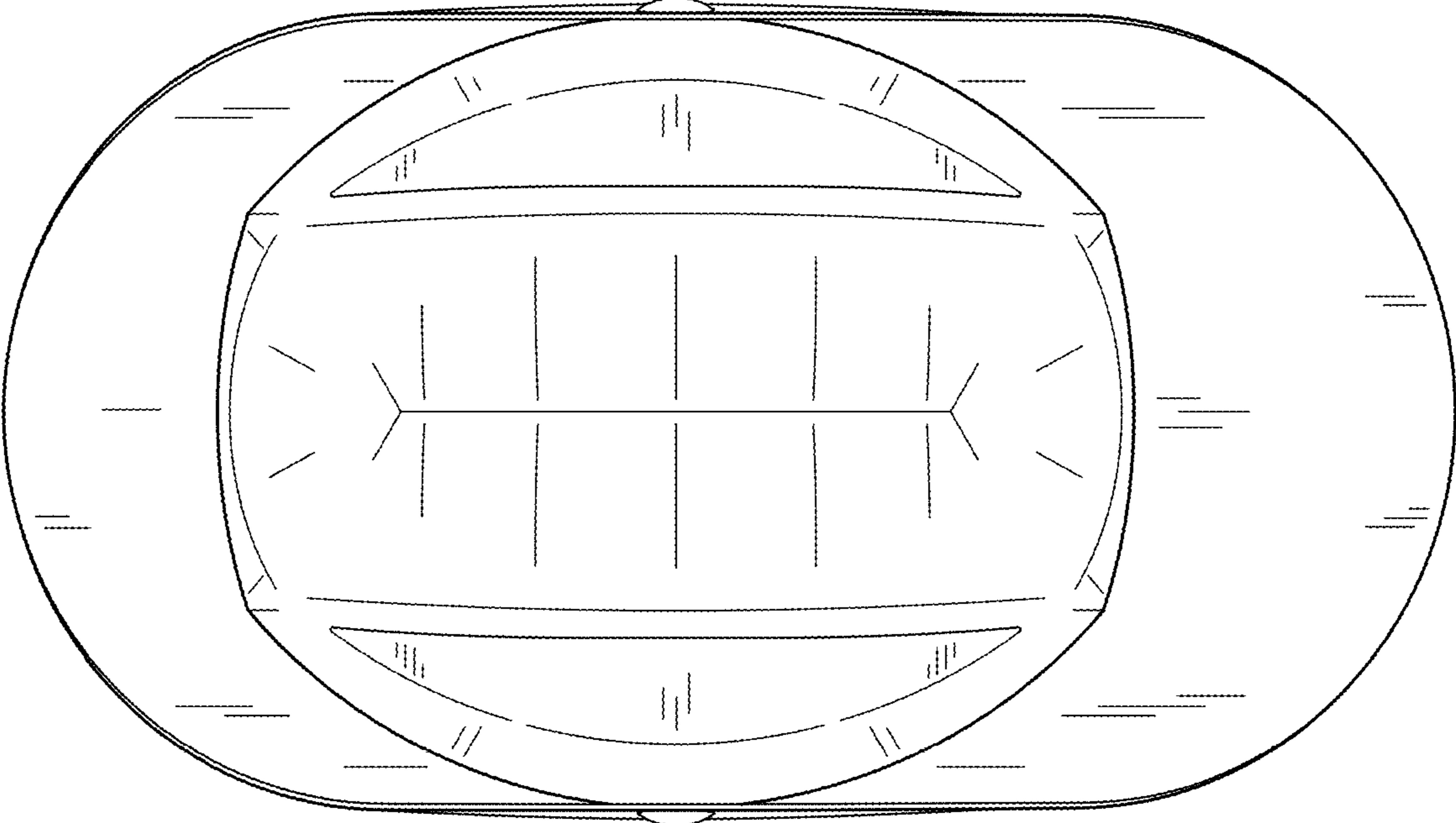


FIG. 3

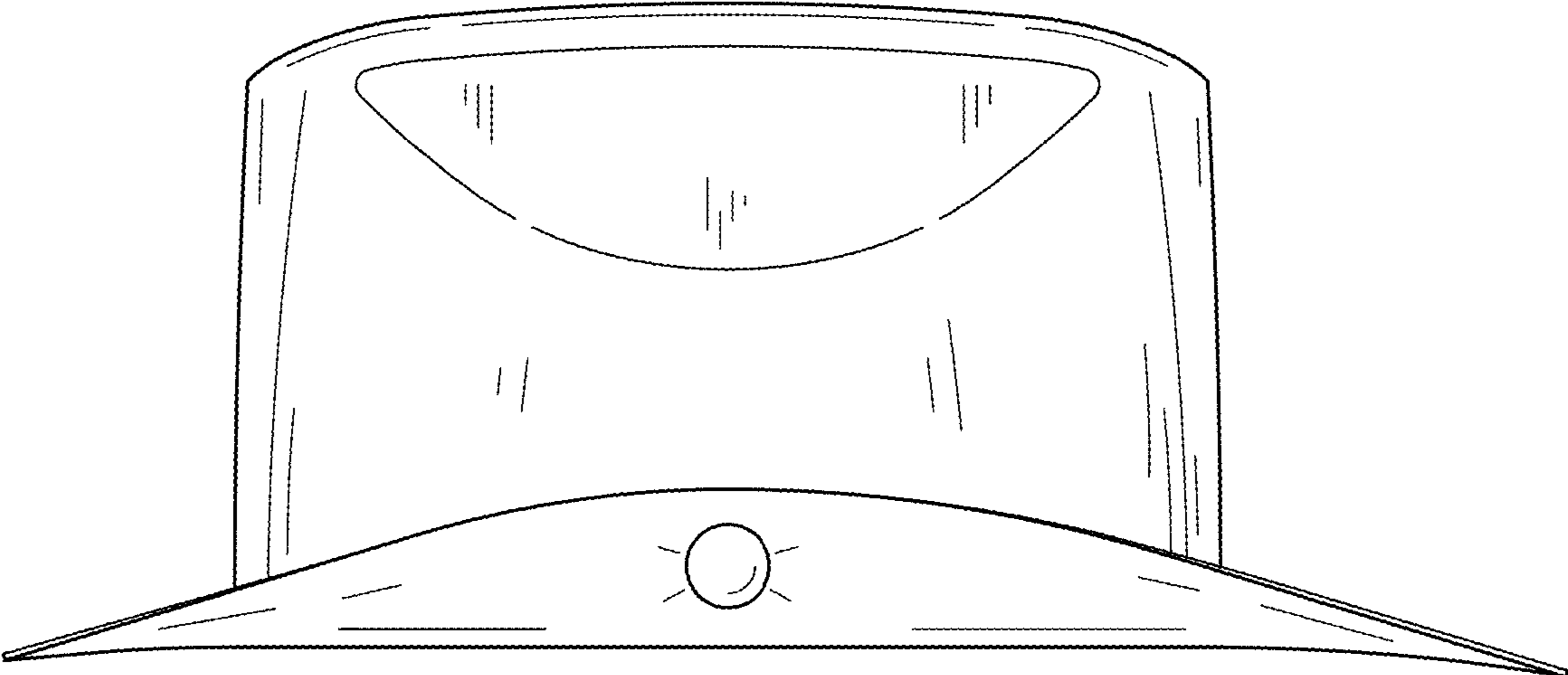


FIG. 4

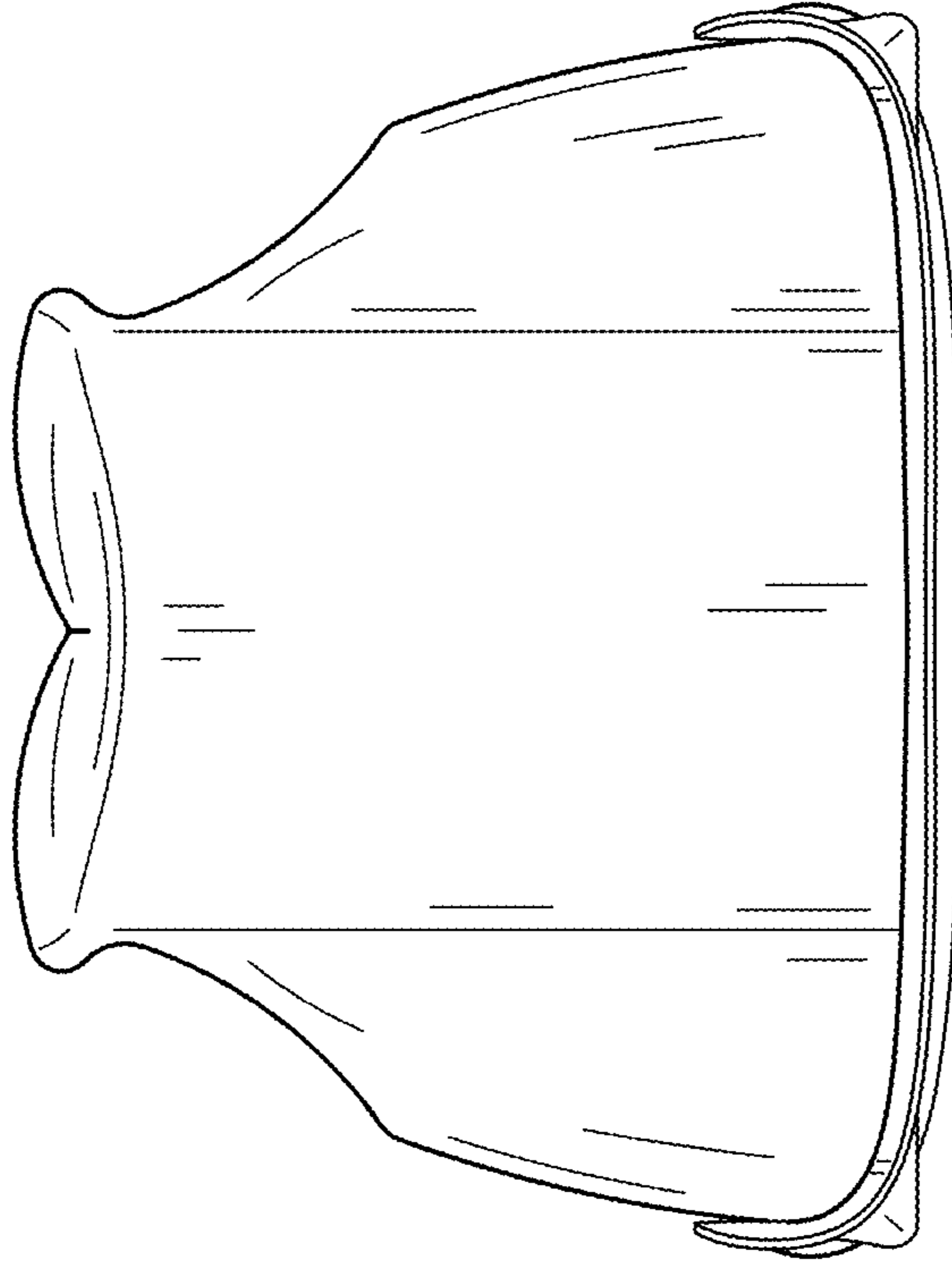


FIG. 6

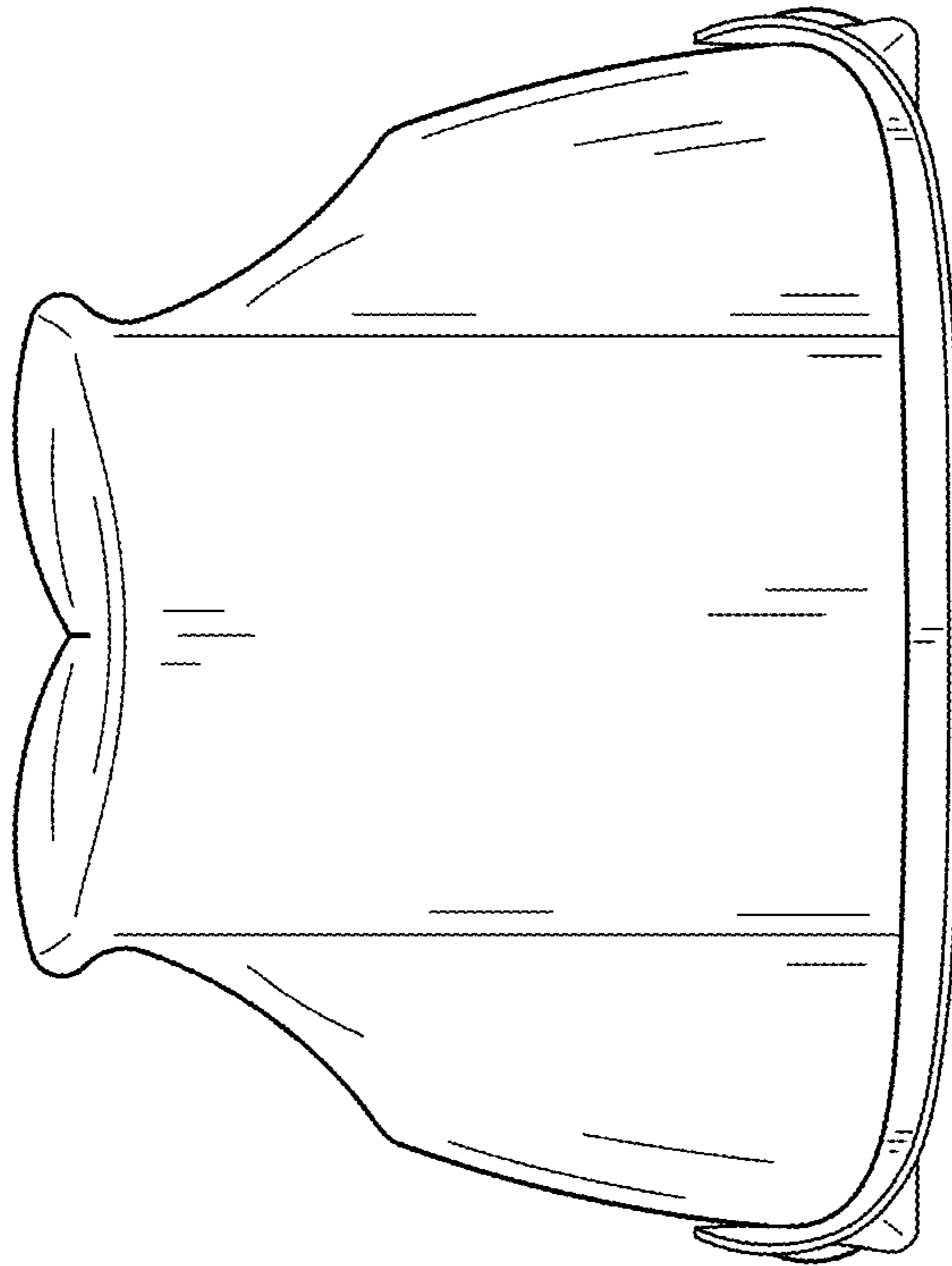


FIG. 5