



US00D768948S

(12) **United States Design Patent** (10) **Patent No.:** **US D768,948 S**
Baxter (45) **Date of Patent:** **** Oct. 11, 2016**

(54) **WINDOW WASHER**
(71) Applicant: **BLACK & DECKER INC.**, Newark, DE (US)
(72) Inventor: **Mark Baxter**, Tyne and Wear (GB)
(73) Assignee: **BLACK & DECKER INC.**, New Britain, CT (US)
(**) Term: **14 Years**

D703,405 S * 4/2014 Meyer D32/41
D715,009 S * 10/2014 Curien D32/41
D720,107 S * 12/2014 Meyer D32/41
D753,354 S * 4/2016 Casini D32/17
2011/0138554 A1* 6/2011 Curien A47L 1/08
15/93.1

FOREIGN PATENT DOCUMENTS

CN 301410631 * 12/2010
CN 302820486 * 5/2014
EM 001423123-0001 * 10/2014

(21) Appl. No.: **29/519,348**
(22) Filed: **Apr. 2, 2015**

OTHER PUBLICATIONS

Amazon.com: Fuller Brush 3-in-1 Cordless Window Washer, website copyright 2016, http://www.amazon.com/Fuller-Brush-Cordless-Window-Washer/dp/B00JUAQXPM/ref=sr_1_97_s_it?s=hpc&ie=UTF8&qid=1465238566&sr=1-97&keywords=window+washer, [site visited Jun. 6, 2016 2:44:54 PM].*

(30) **Foreign Application Priority Data**

Oct. 17, 2014 (EM) 001423123

(51) **LOC (10) Cl.** **15-05**
(52) **U.S. Cl.**
USPC **D32/41; D32/18**

(Continued)

(58) **Field of Classification Search**
USPC D32/40-42, 45-49, 15, 17-18; D8/33, D8/47, 90; D4/118, 199; D24/146-147
CPC A47L 1/06; A47L 13/24
See application file for complete search history.

Primary Examiner — John Windmuller
Assistant Examiner — John R Yeh
(74) *Attorney, Agent, or Firm* — John Yun

(56) **References Cited**

(57) **CLAIM**
The ornamental design for a window washer, as shown and described.

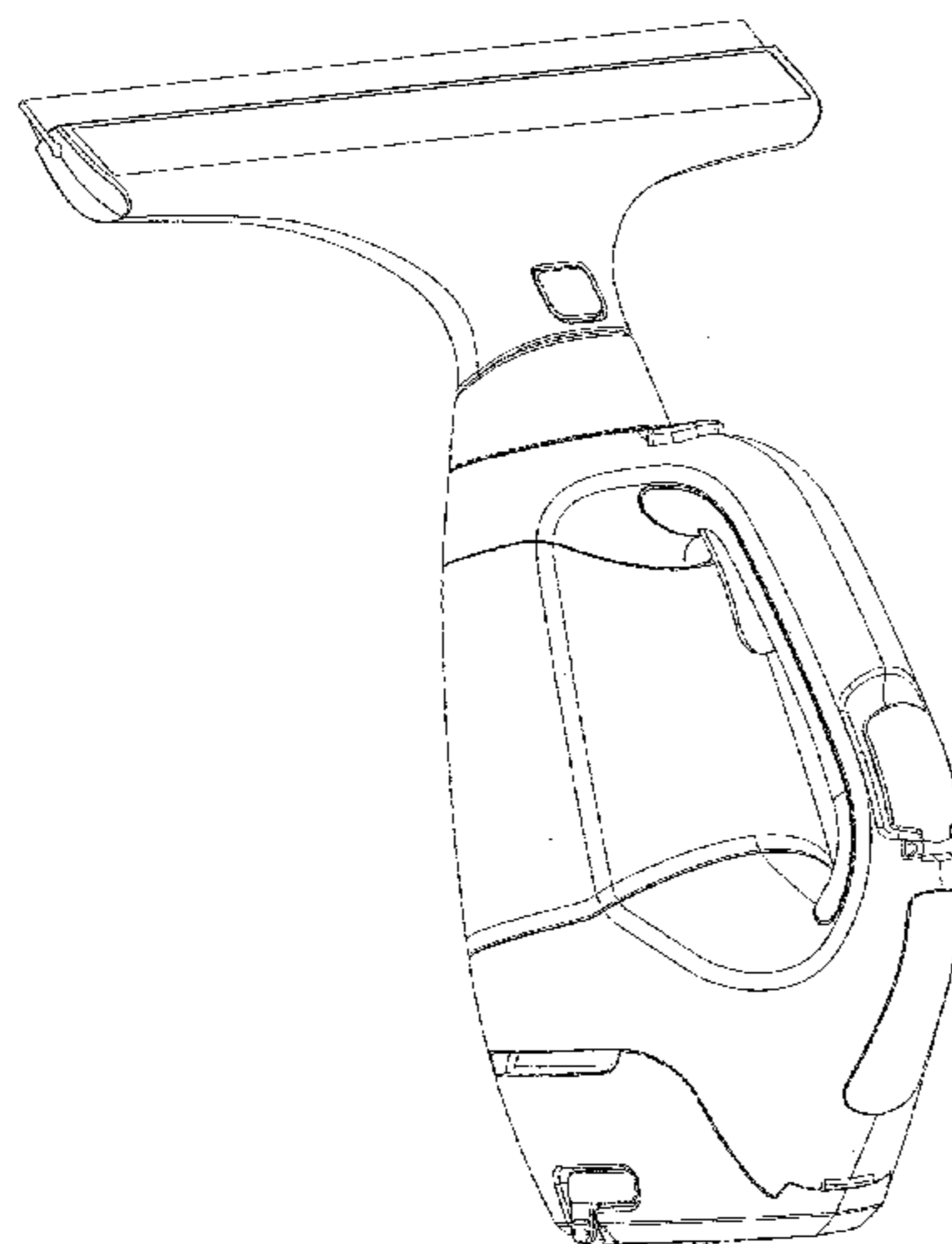
U.S. PATENT DOCUMENTS

DESCRIPTION

1,628,783 A * 5/1927 Jbnsen A47L 1/06
15/245
2,123,638 A * 7/1938 Steccone A47L 1/06
15/245
2,521,967 A * 9/1950 Dean A47L 1/08
15/220.1
D232,151 S * 7/1974 Spydevold D32/41
D318,157 S * 7/1991 Perior D32/41
D388,562 S * 12/1997 Doria D32/17
D480,846 S * 10/2003 Ki D32/18
D485,652 S * 1/2004 Erlich D32/1
6,931,690 B2 * 8/2005 Cox A47L 1/06
15/144.1
D649,314 S * 11/2011 Quinlan D32/41

FIG. 1 is a perspective view of a window washer;
FIG. 2 is a left side view thereof;
FIG. 3 is a right side thereof;
FIG. 4 is a front view thereof;
FIG. 5 is a rear view thereof;
FIG. 6 is a top view thereof; and,
FIG. 7 is a bottom view thereof.
The broken lines show portions of the window washer that form no part of the claimed design.

1 Claim, 7 Drawing Sheets



(56)

References Cited

OTHER PUBLICATIONS

Amazon.com: Ivation Complete Window Vacuum Cleaning Kit—Window Washer Set, review date Sep. 22, 2015, http://www.amazon.com/Ivation-Complete-Window-Vacuum-Cleaning/dp/B015G1U9JY/ref=cm_cr_arp_d_product_top?ie=UTF8, [site visited Jun. 6, 2016 2:54:08 PM].*

Amazon.com: Karcher WV 50 Window Vacuum Cleaning Power Squeegee, review date Mar. 24, 2012, [site visited Jun. 6, 2016

2:49:05], http://www.amazon.com/...6EUMW/ref=pd_sim_sbs_201_2?ie=UTF8&dpID=31H5IWIQ-4L&dpSrc=sims&preST=__AC_UL160_SR160%2C160_&refRID=0AWJG6Y1VAJWSZKWXXKGQ.*

Amazon.com—Black & Decker BDH100WW Powered Squeegee Vac, review date Dec. 27, 2015, http://www.amazon.com/Black-Decker-BDH100WW-Powered-Squeegee/dp/B014UVC2YQ/ref=cm_cr_arp_d_product_top?ie=UTF8, [site visited Jun. 8, 2016 7:34:55 PM].*

* cited by examiner

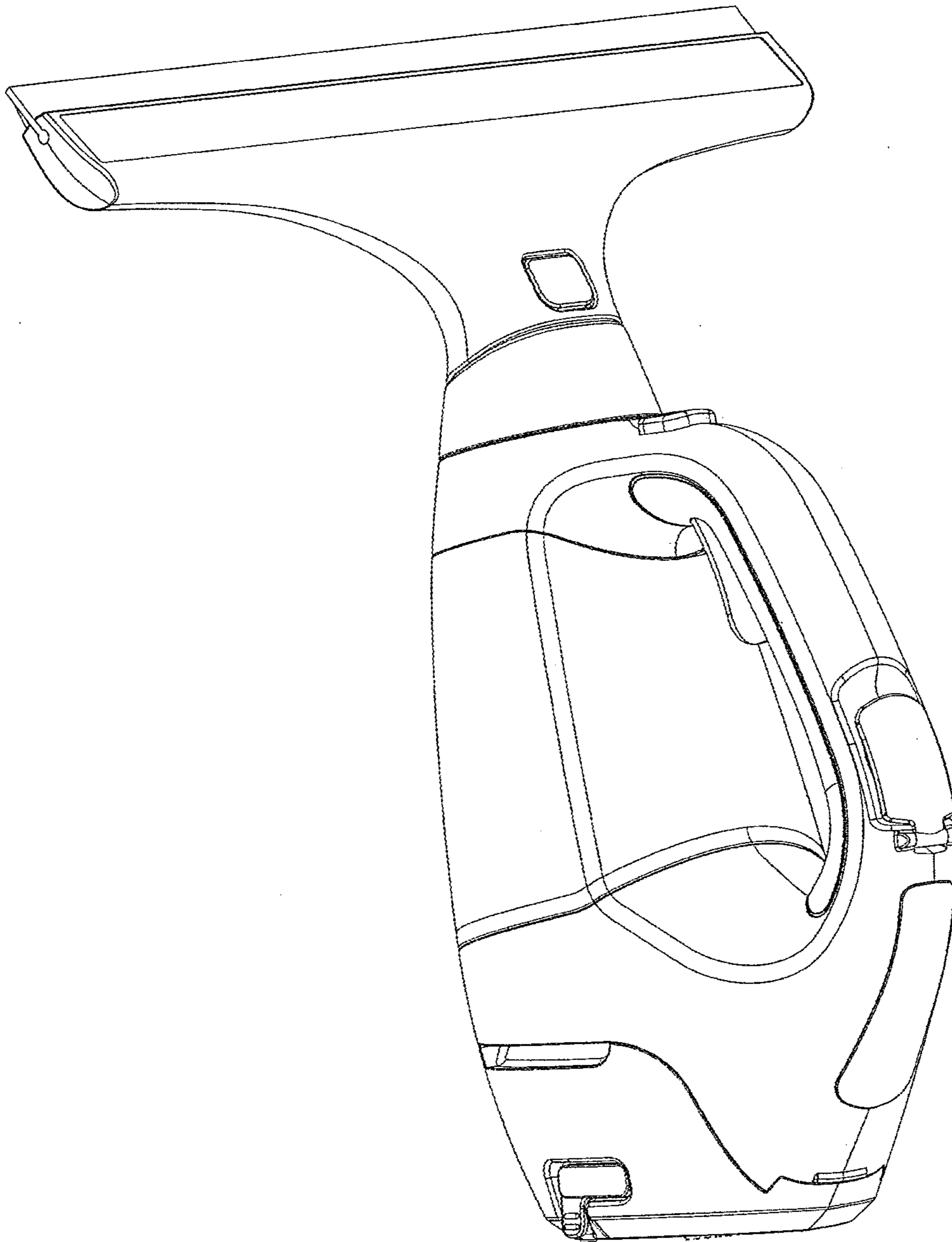


FIG. 1

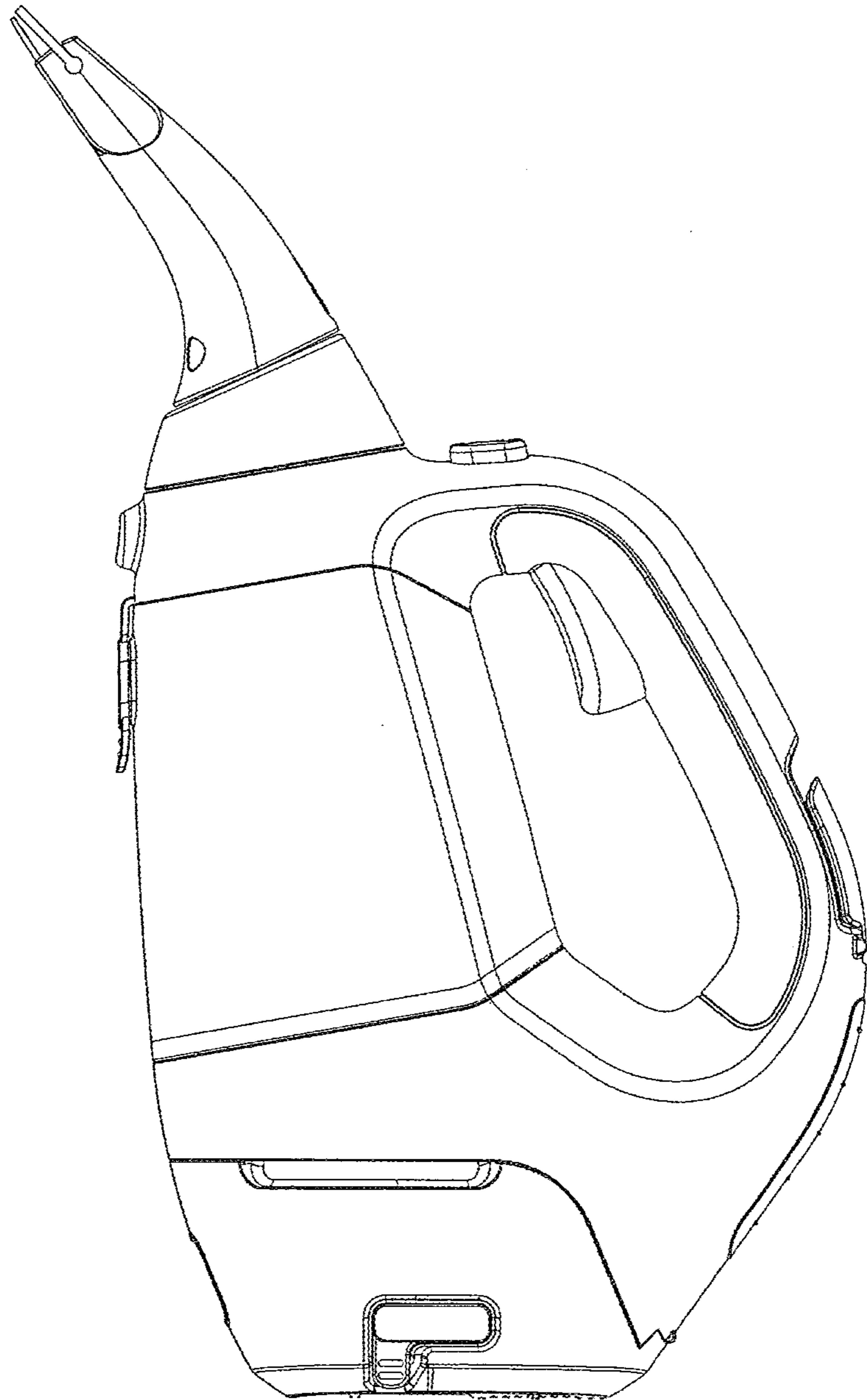


FIG. 2

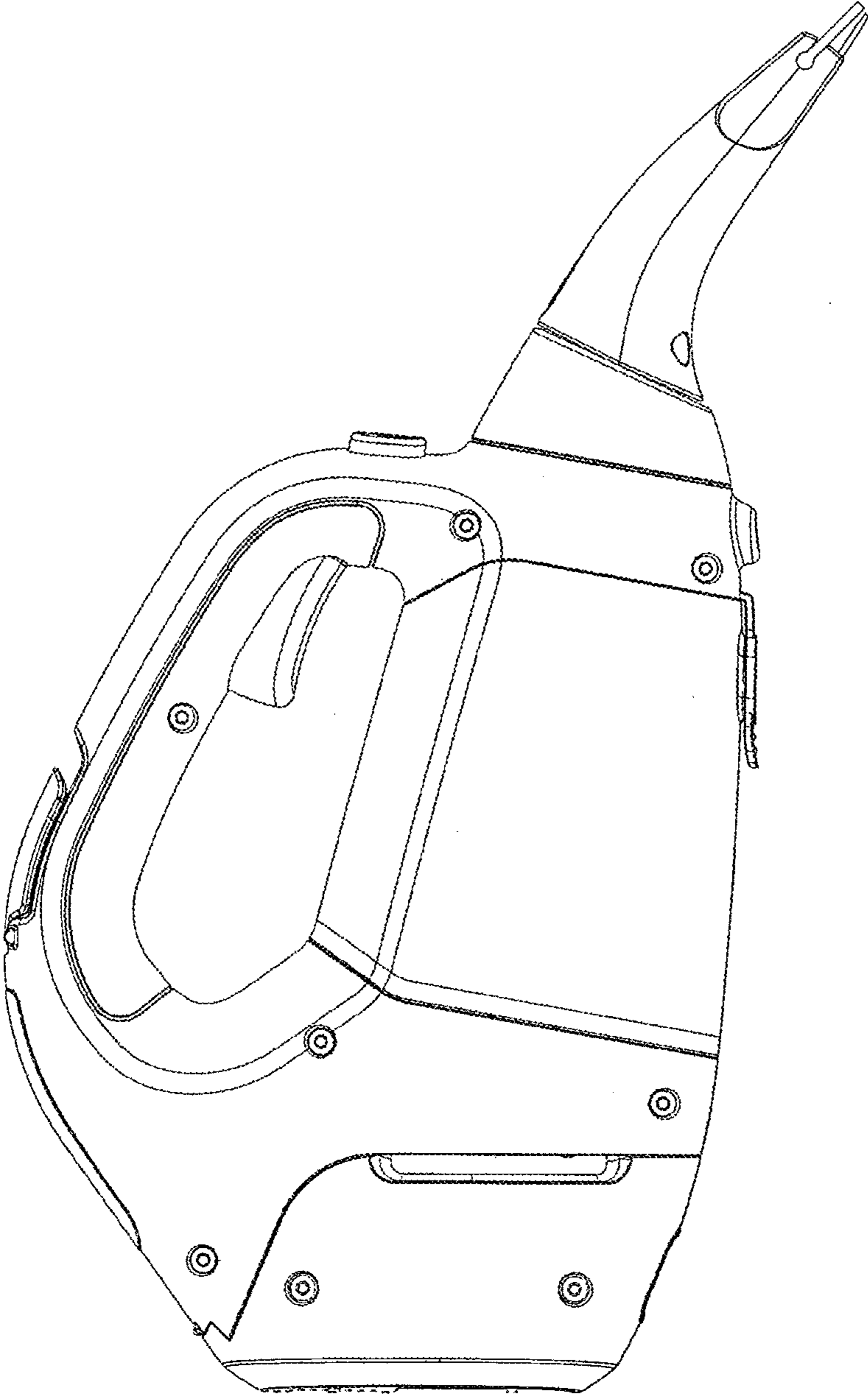


FIG. 3

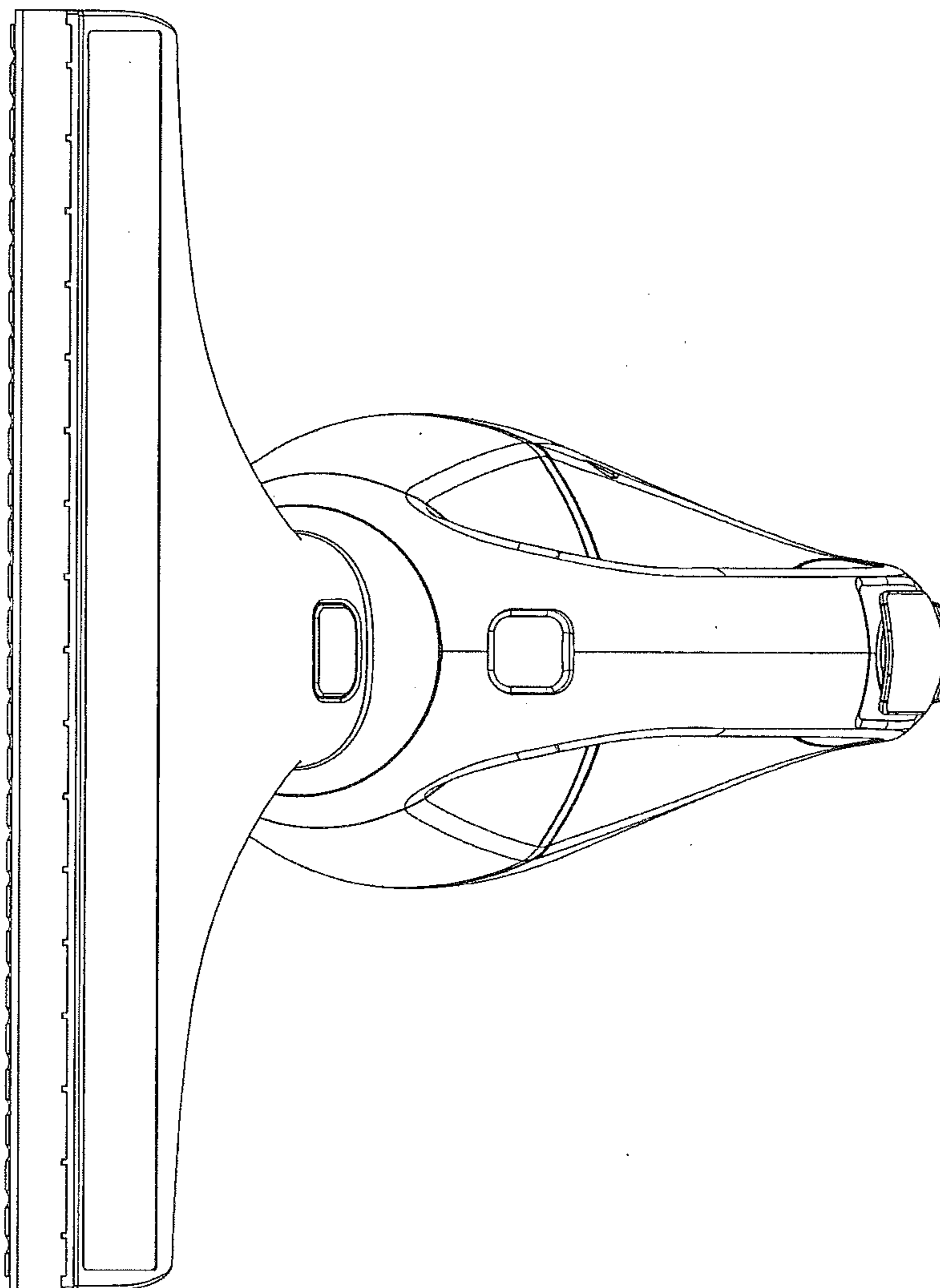


FIG. 4

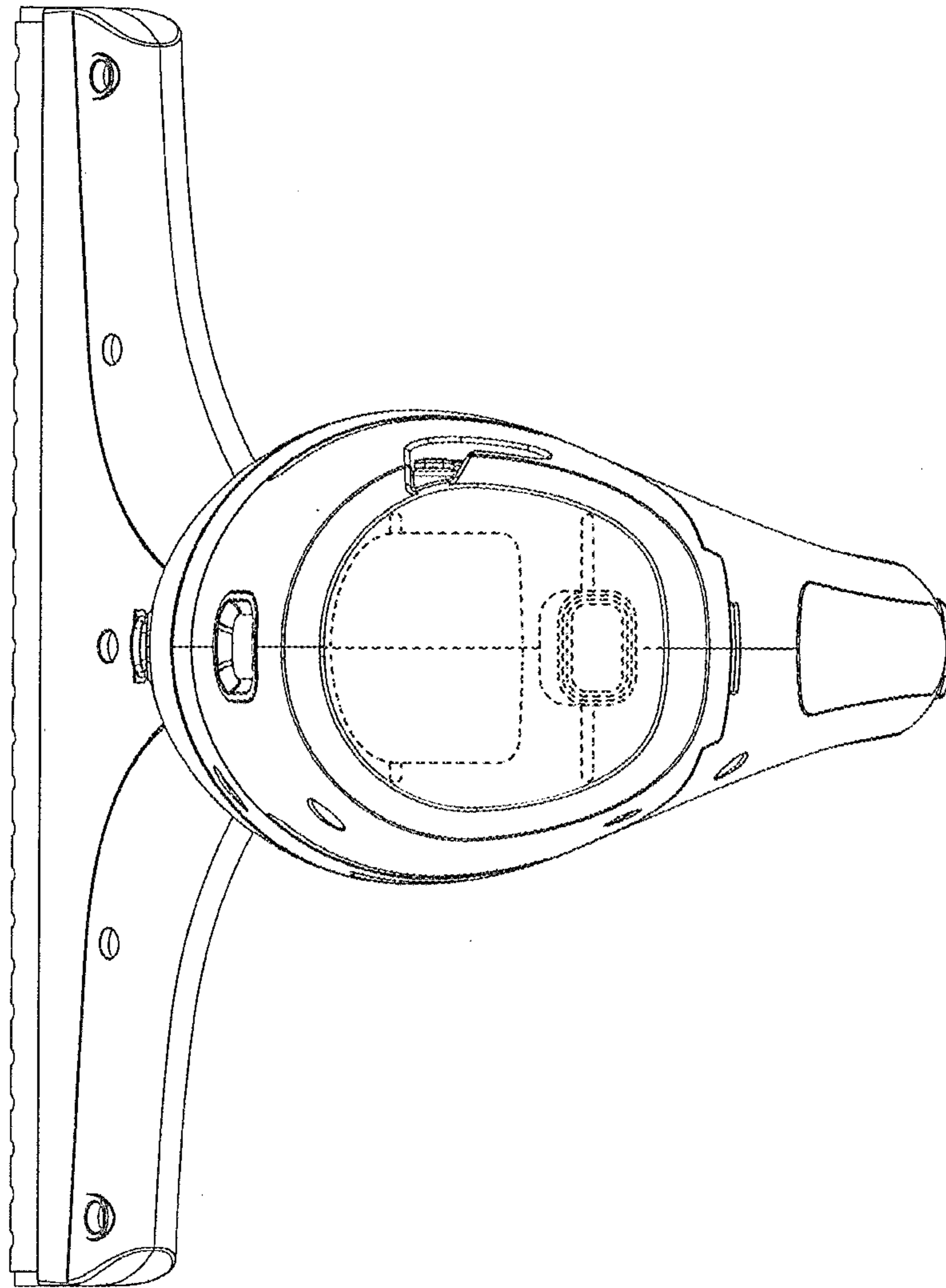


FIG. 5

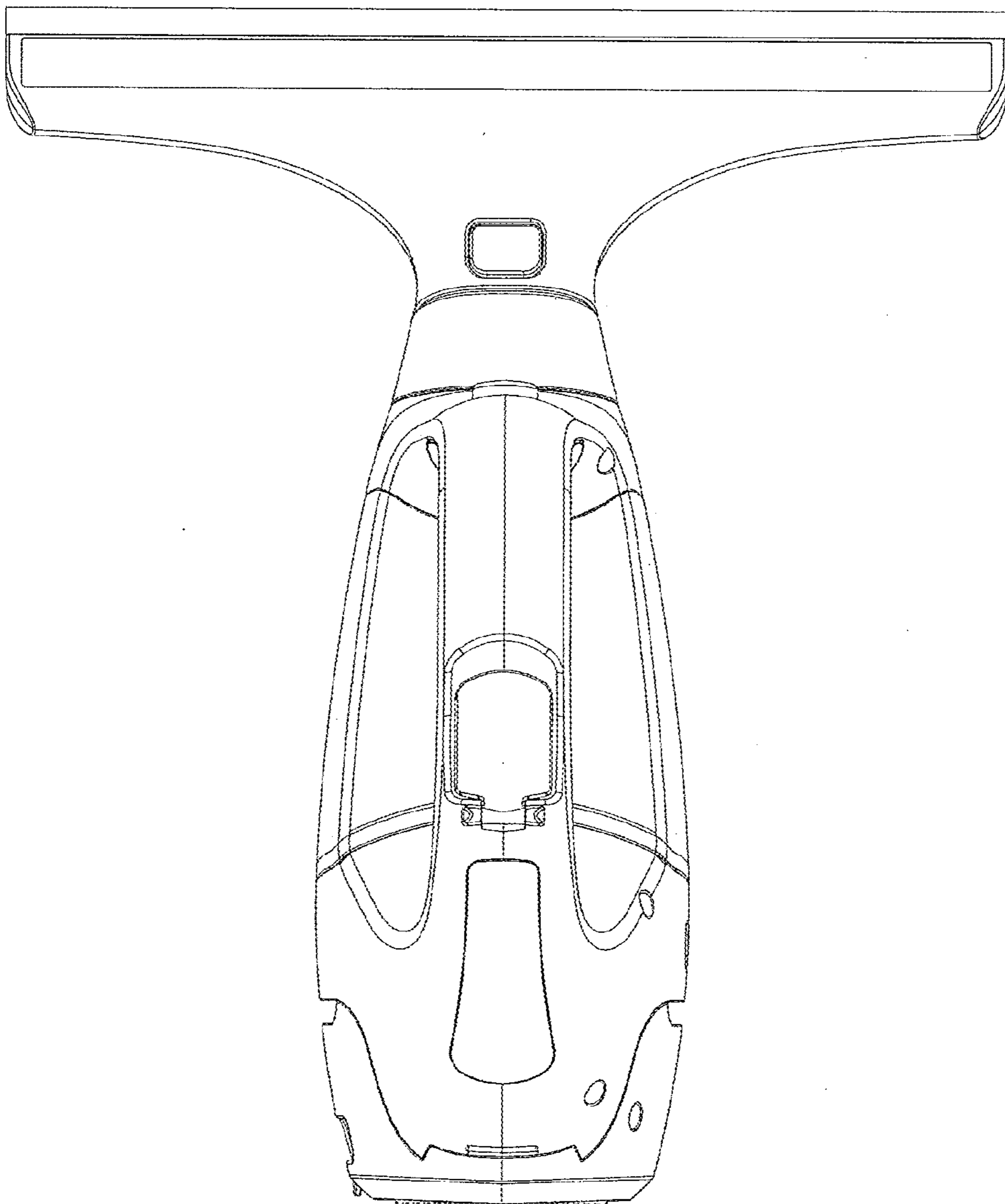


FIG. 6

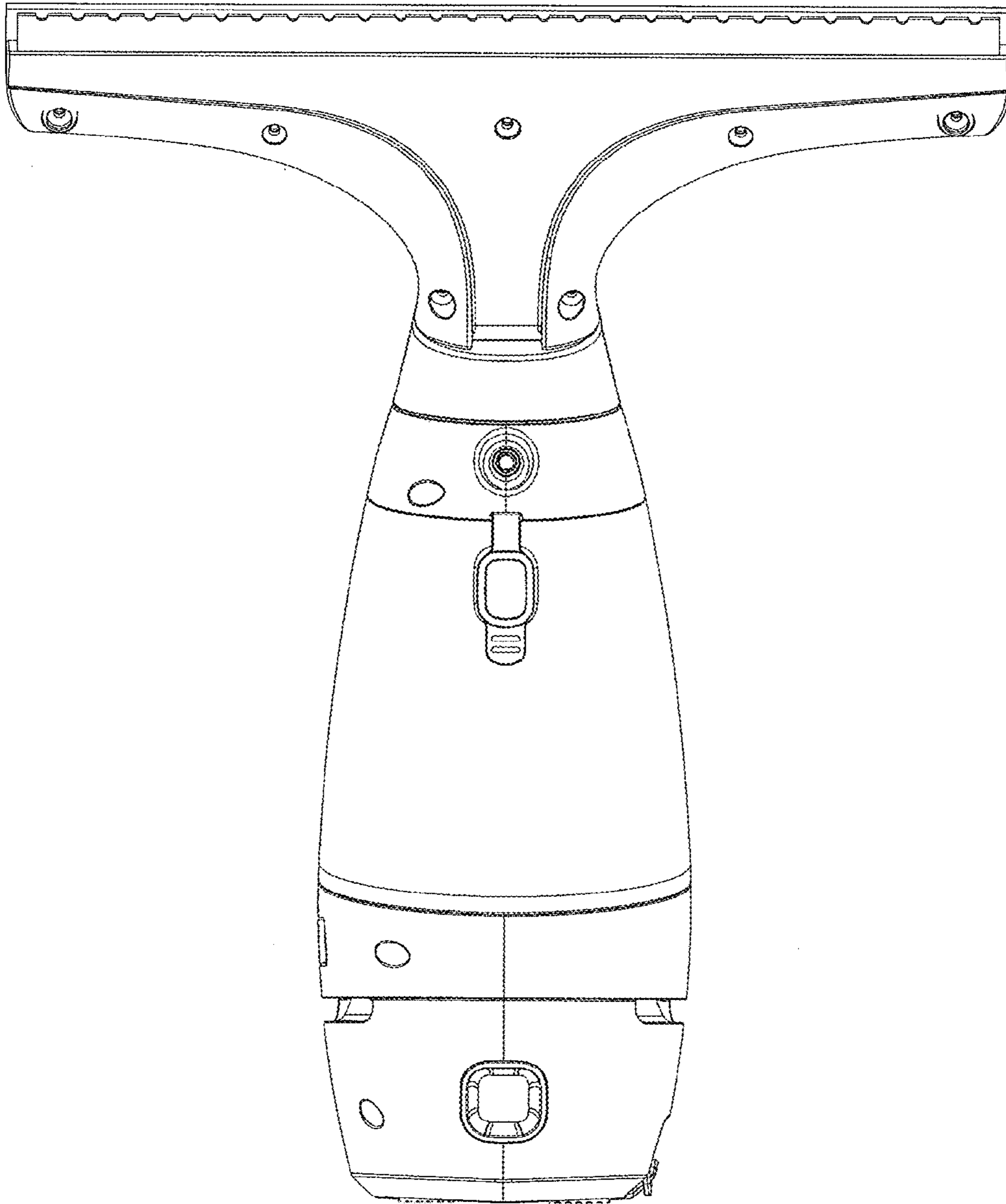


FIG. 7