



US00D768943S

(12) **United States Design Patent**  
**Kim et al.**

(10) **Patent No.:** **US D768,943 S**

(45) **Date of Patent:** **\*\* Oct. 11, 2016**

(54) **CLEANER**

(71) Applicant: **Samsung Electronics Co., Ltd.**,  
Suwon-si (KR)

(72) Inventors: **Kyung-Tae Kim**, Seoul (KR);  
**Min-Hyouk Bu**, Seoul (KR);  
**Kyung-Soo Sun**, Seoul (KR); **Kio Lee**,  
Seoul (KR)

(73) Assignee: **SAMSUNG ELECTRONICS CO.,**  
**LTD.** (KR)

(\*\*) Term: **14 Years**

(21) Appl. No.: **29/503,207**

(22) Filed: **Sep. 24, 2014**

(30) **Foreign Application Priority Data**

Mar. 24, 2014 (KR) ..... 30-2014-0014508

(51) **LOC (10) Cl.** ..... **15-05**

(52) **U.S. Cl.**  
USPC ..... **D32/21**

(58) **Field of Classification Search**  
USPC ..... D32/17-18, 21-24, 31  
CPC ..... A47L 9/2842; A47L 9/08; A47L 9/20;  
A47L 5/24; A47L 5/362; A47L 5/365;  
A47L 5/14; A47L 5/28; A47L 5/34; A47L  
7/0038; E04H 4/1654; B62D 57/032  
See application file for complete search history.

(56) **References Cited**

U.S. PATENT DOCUMENTS

D527,854 S \* 9/2006 Marzynski ..... D15/199  
D548,411 S \* 8/2007 Schroter ..... D32/21

D569,563 S \* 5/2008 Shin ..... D32/18  
D589,218 S \* 3/2009 Shin ..... D32/18  
D611,209 S \* 3/2010 Shin ..... D32/18  
D644,799 S \* 9/2011 Bruneel ..... D32/21  
D659,920 S \* 5/2012 Lee ..... D32/21  
D660,526 S \* 5/2012 Erlich ..... D32/18  
D725,327 S \* 3/2015 Houghton ..... D32/18  
D725,852 S \* 3/2015 Houghton ..... D32/18  
D726,383 S \* 4/2015 Milligan ..... D32/18  
D743,646 S \* 11/2015 Fjellman ..... D32/21  
D747,578 S \* 1/2016 Kim ..... D32/31

\* cited by examiner

*Primary Examiner* — Ruth McInroy

(74) *Attorney, Agent, or Firm* — Cantor Colburn LLP

(57) **CLAIM**

The ornamental design for a cleaner, as shown and described.

**DESCRIPTION**

FIG. 1 is a perspective view of a cleaner, showing our new design;  
FIG. 2 is a front view thereof;  
FIG. 3 is a rear view thereof;  
FIG. 4 is a side view thereof;  
FIG. 5 is another side view thereof;  
FIG. 6 is a top view thereof;  
FIG. 7 is a bottom view thereof;  
FIG. 8 is a perspective view thereof in an open position; and,  
FIG. 9 is a front view of FIG. 8.  
The broken lines are for environmental purpose only and form no part of the claimed design.

**1 Claim, 9 Drawing Sheets**

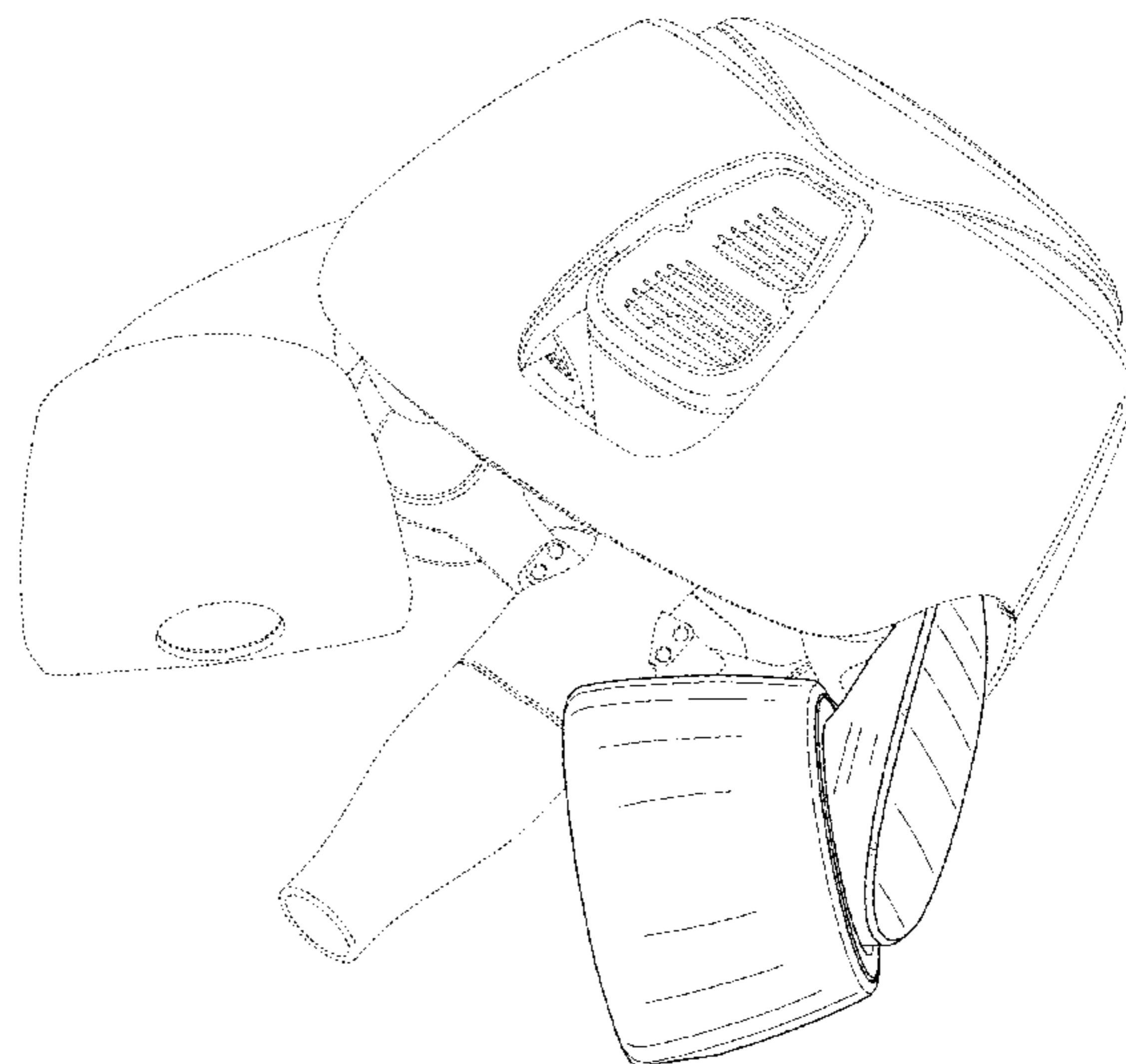
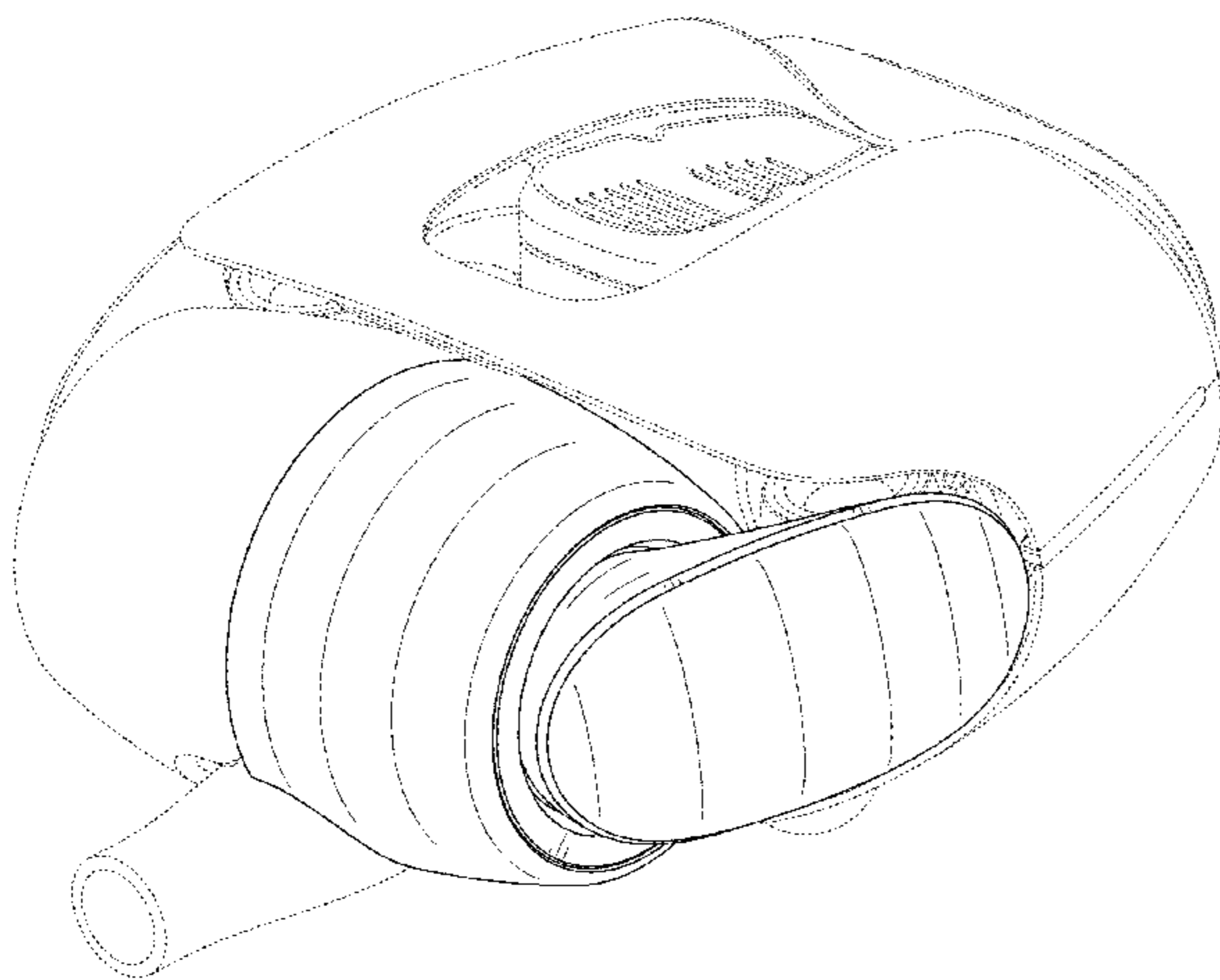


FIG. 1

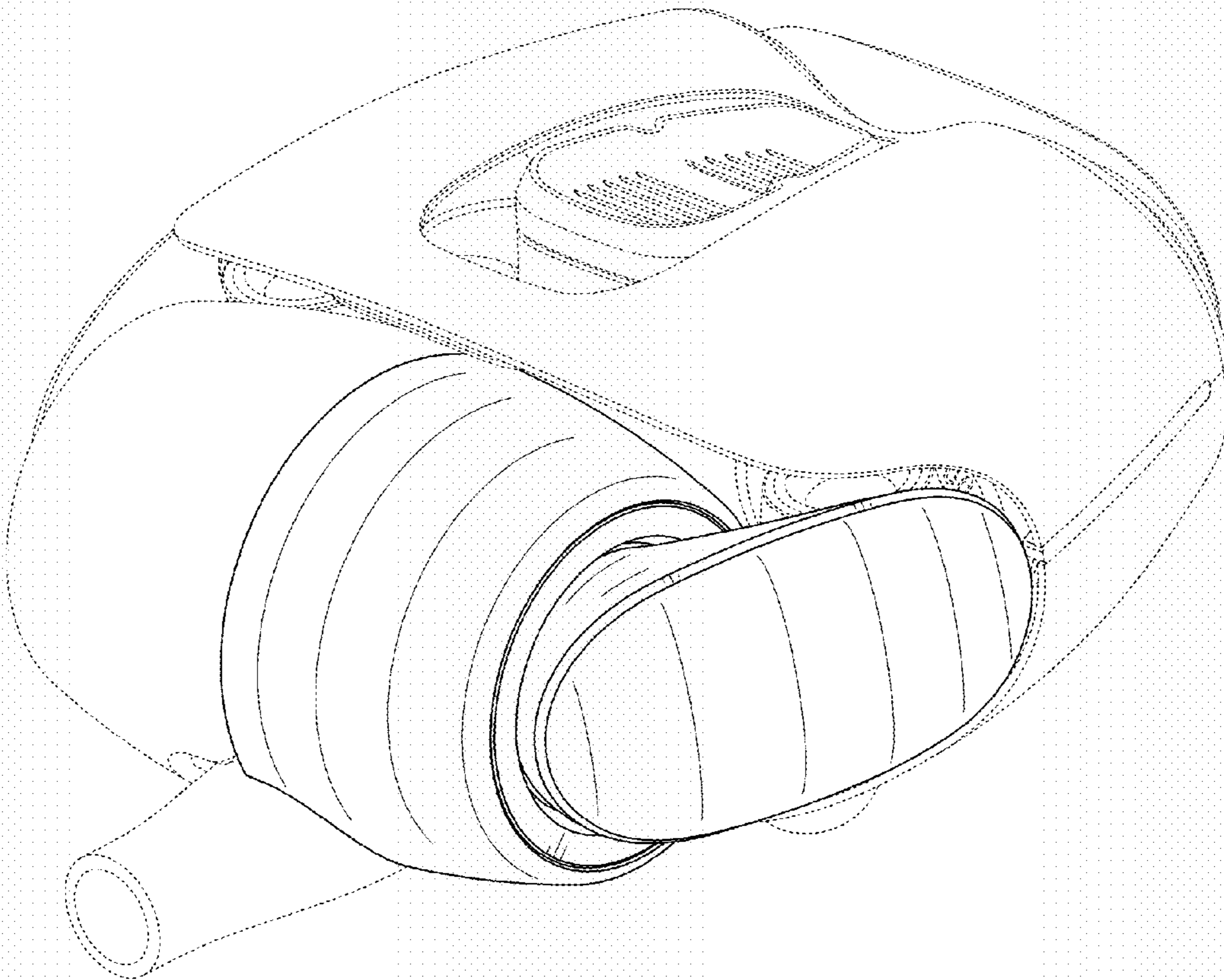


FIG. 2

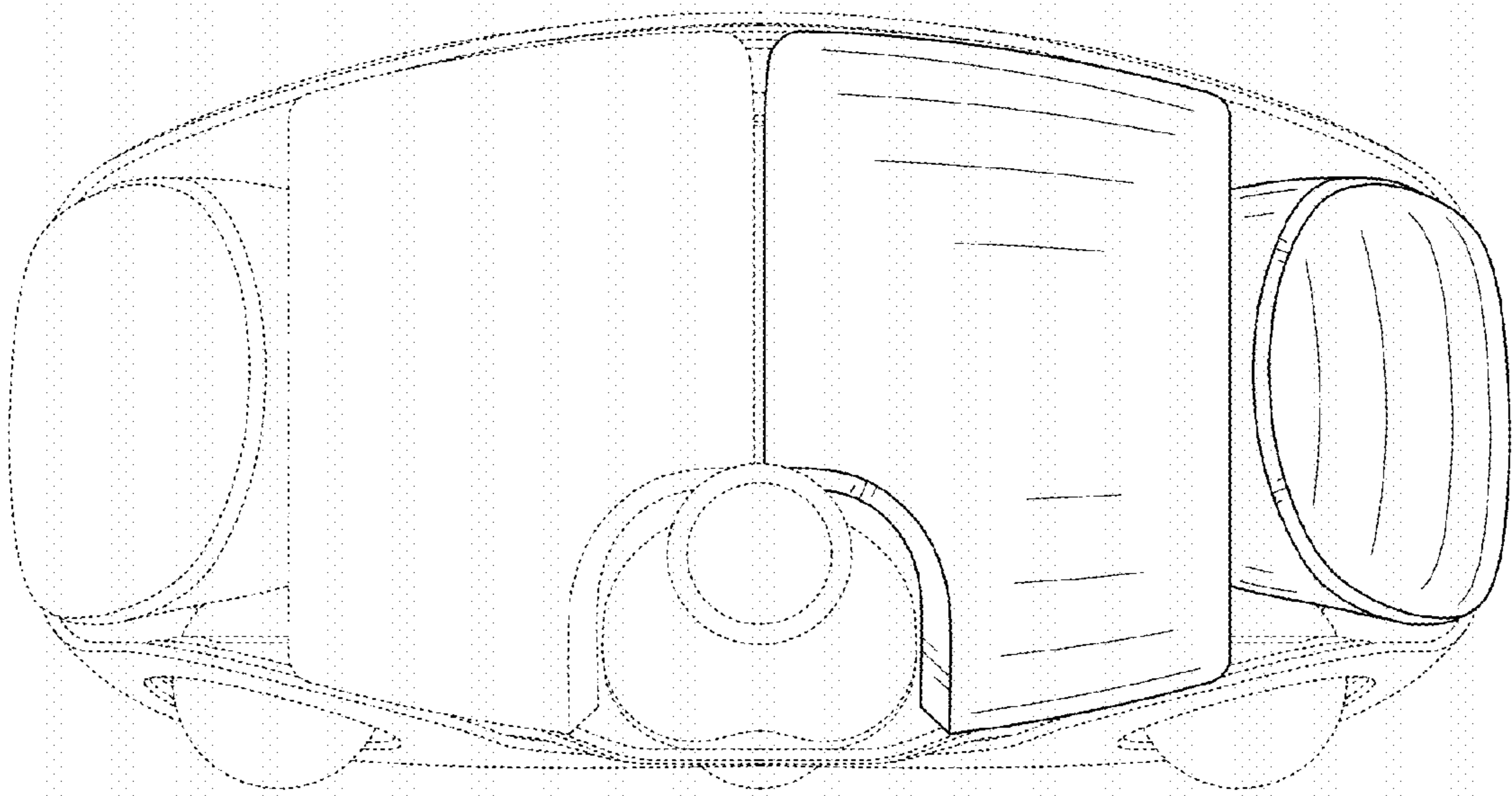


FIG. 3

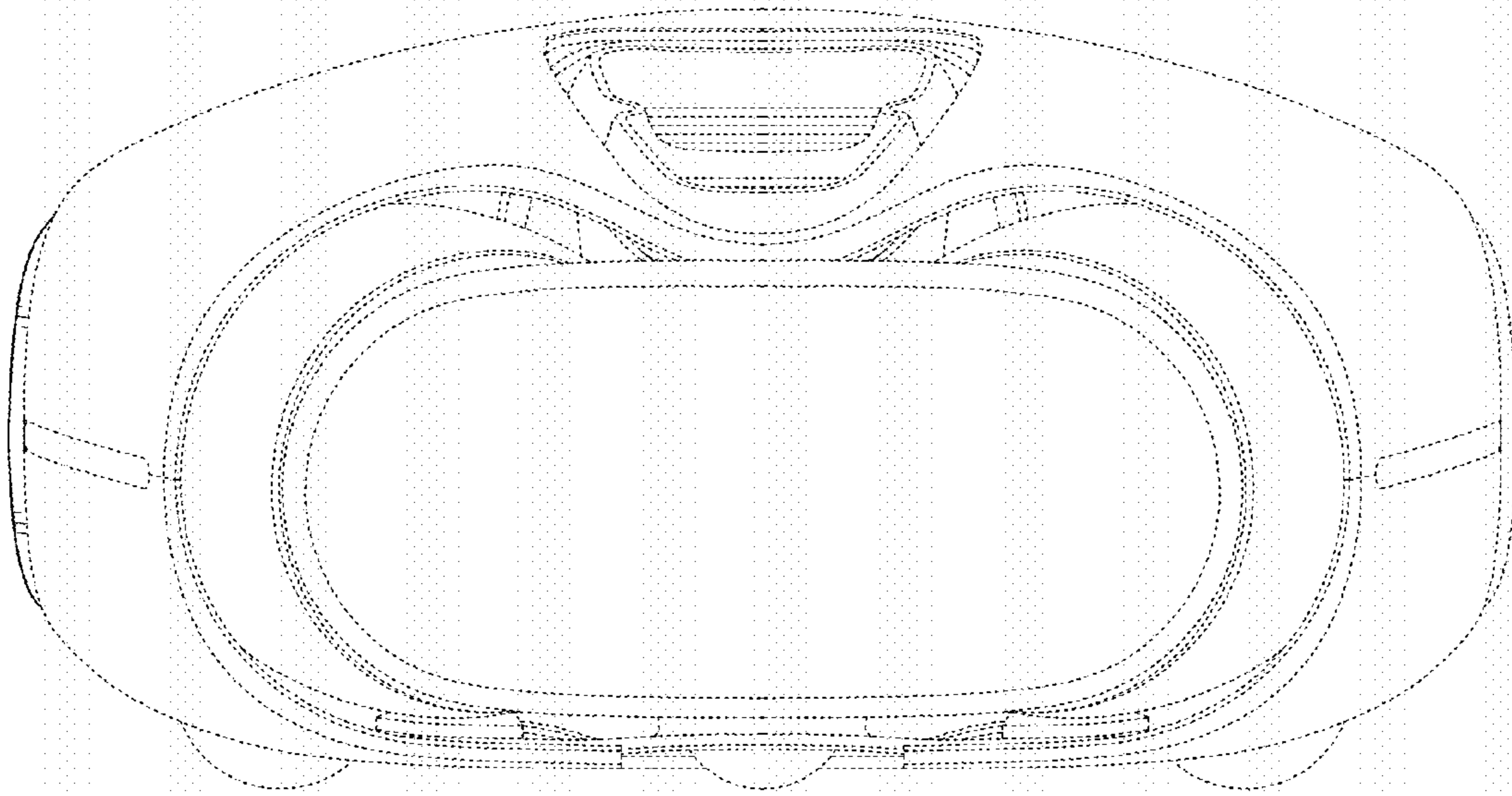


FIG. 4

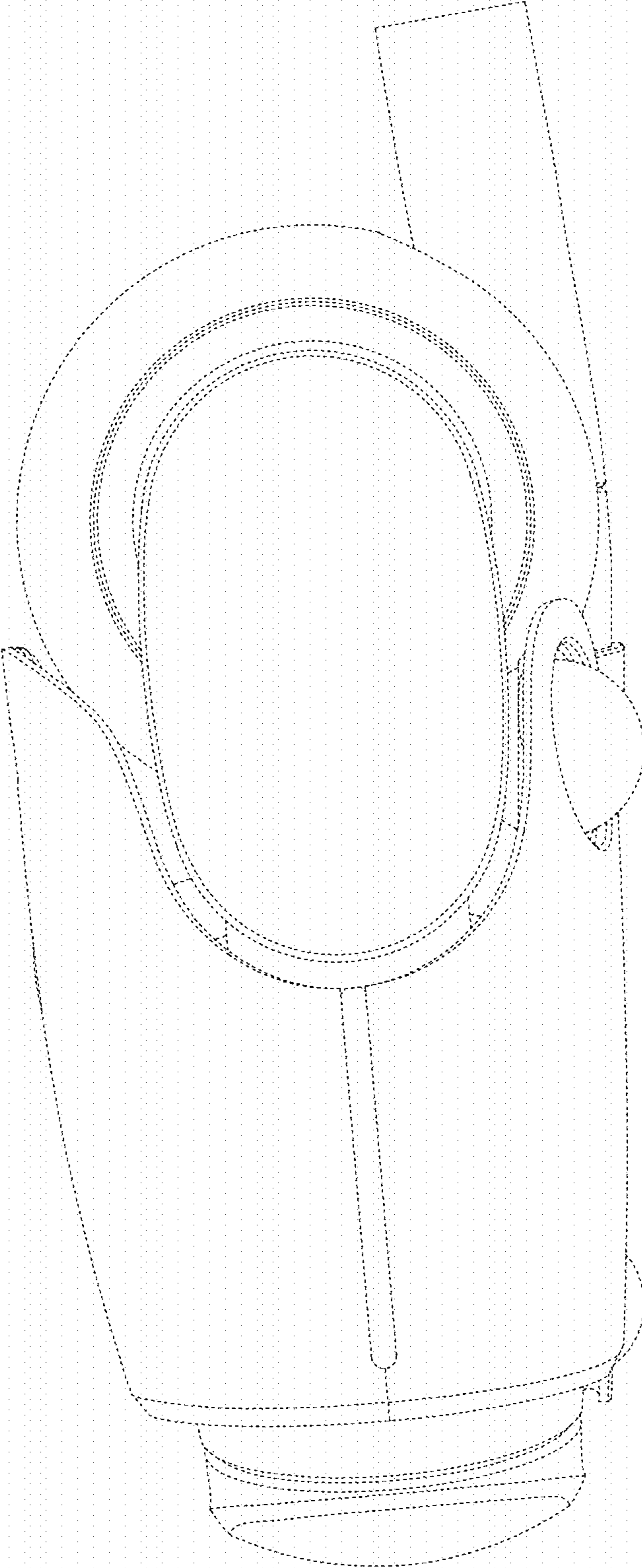


FIG. 5

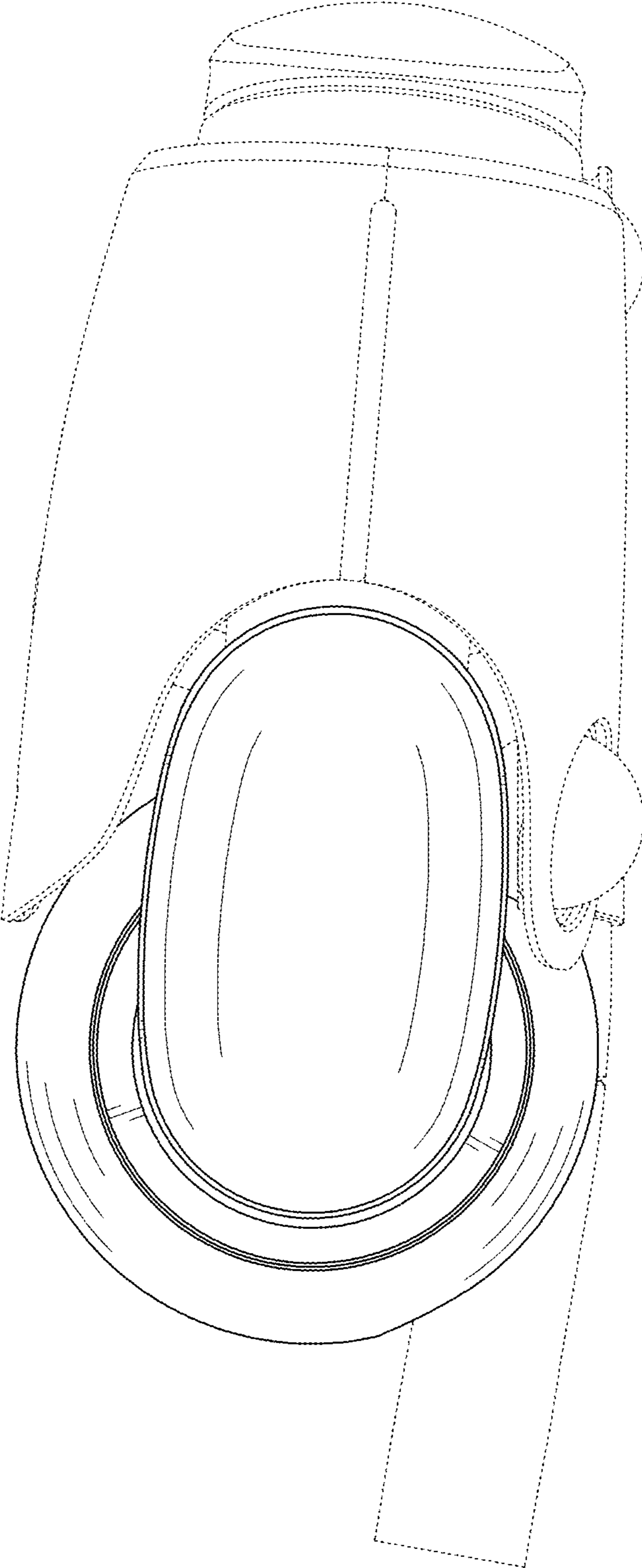


FIG. 6

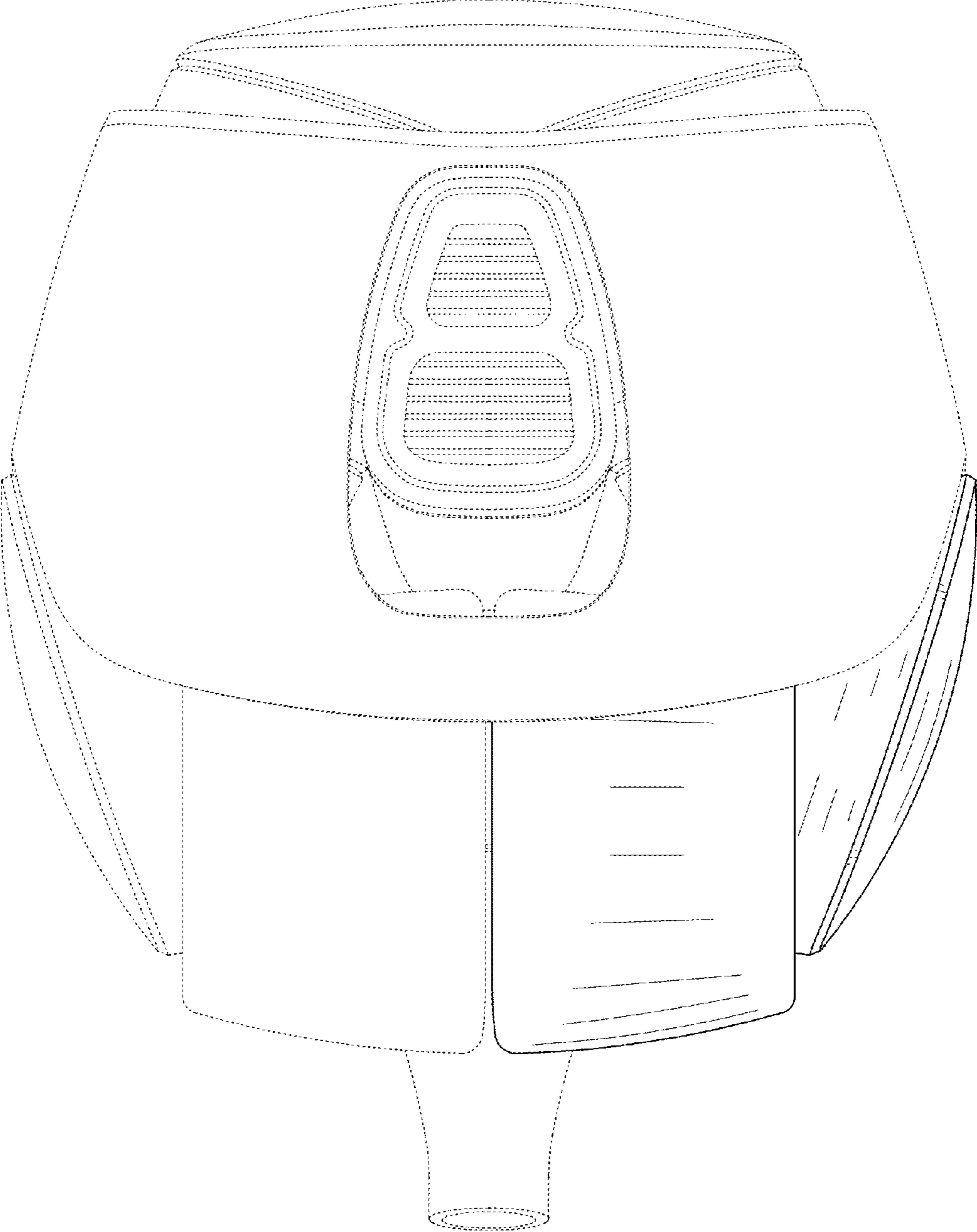


FIG. 7

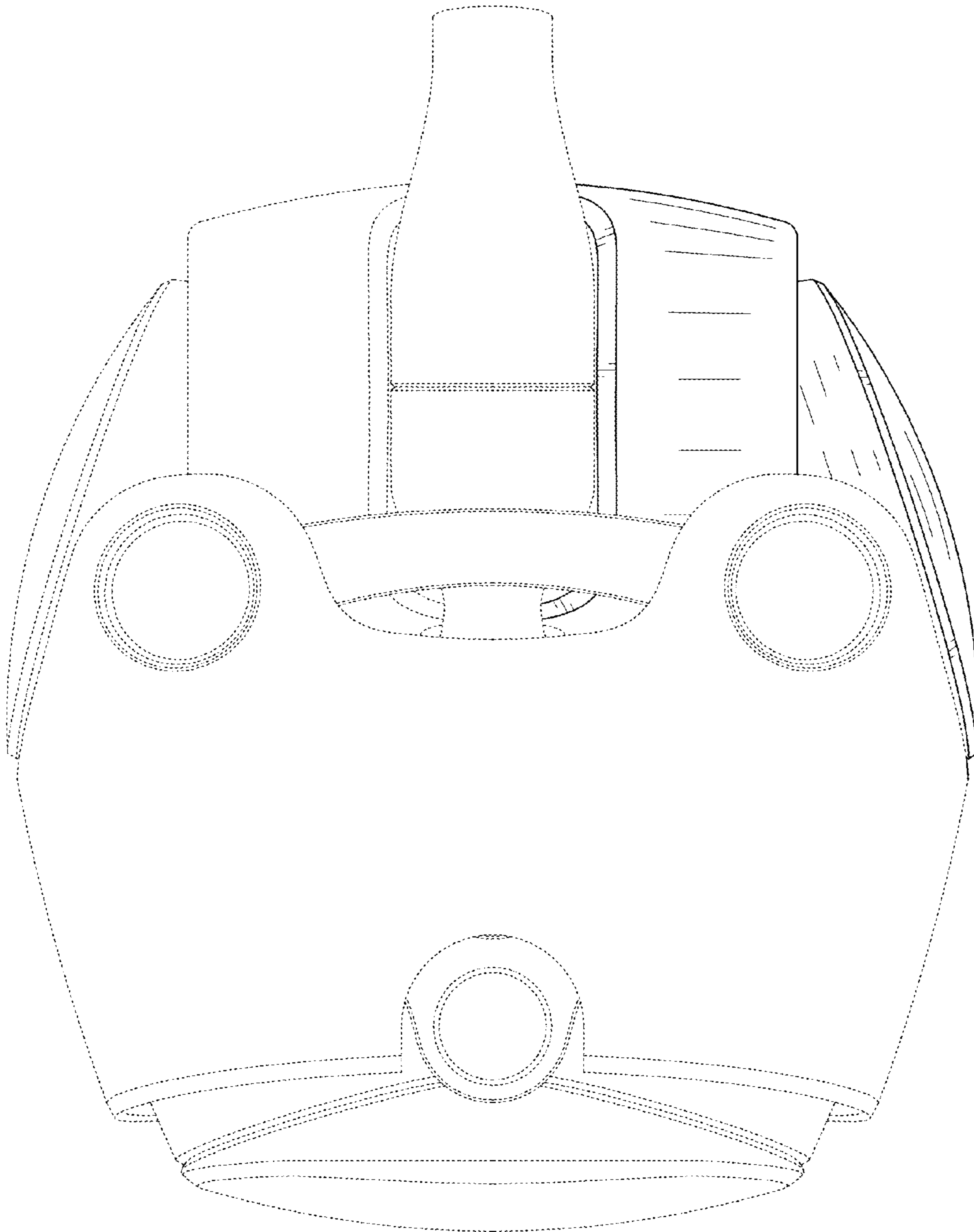




FIG. 8

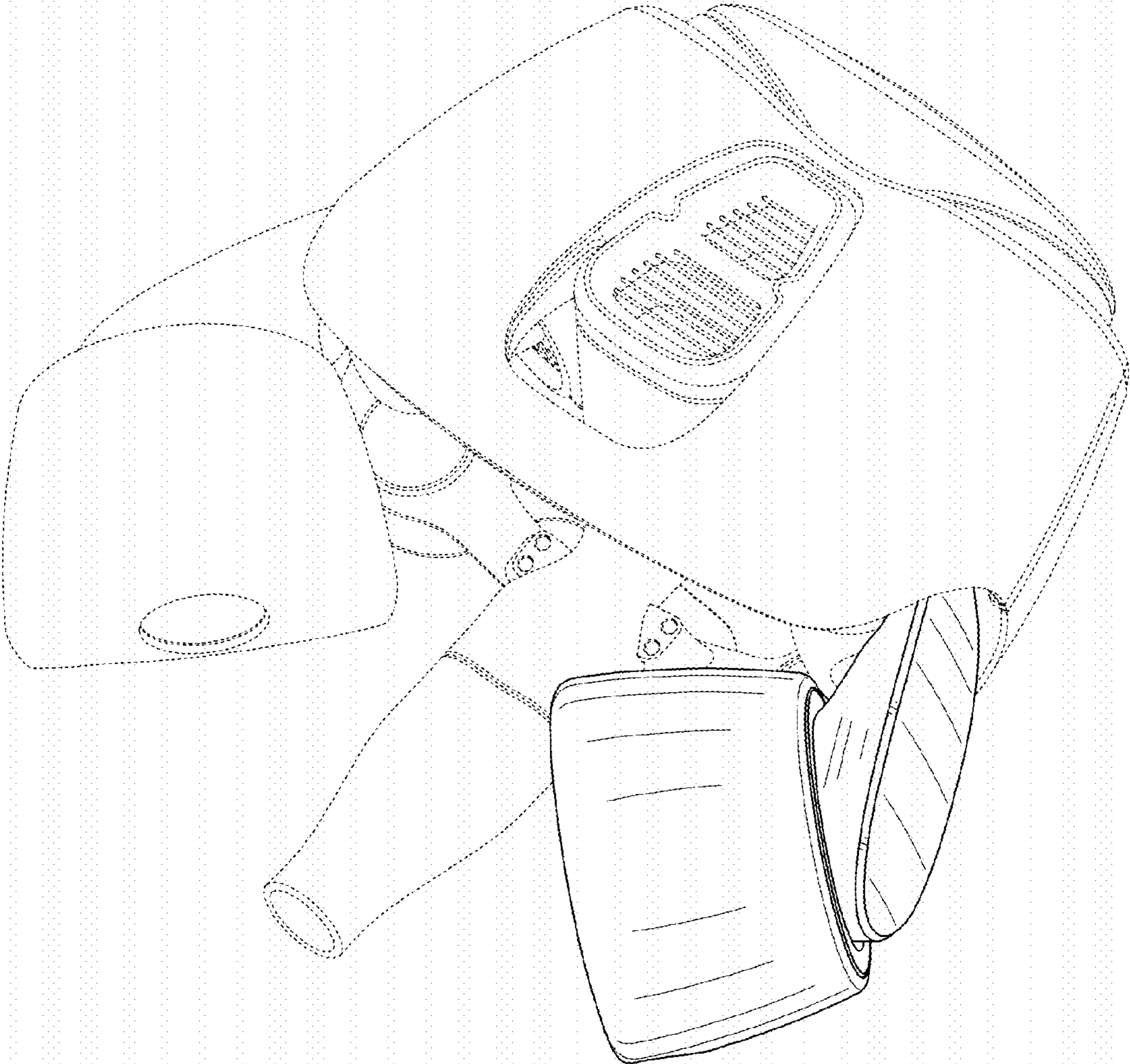


FIG. 9

