



US00D768941S

(12) **United States Design Patent**
Edmonds

(10) **Patent No.:** **US D768,941 S**

(45) **Date of Patent:** **** Oct. 11, 2016**

- (54) **ANIMAL ENCLOSURE**
- (71) Applicant: **Edmonds Outdoors, LLC**, Brentwood, TN (US)
- (72) Inventor: **Addison Edmonds**, Brentwood, TN (US)
- (73) Assignee: **Edmonds Outdoors, LLC**, Brentwood, TN (US)

(**) Term: **15 Years**

(21) Appl. No.: **29/535,995**

(22) Filed: **Aug. 12, 2015**

(51) **LOC (10) Cl.** **30-02**

(52) **U.S. Cl.**
USPC **D30/109**

(58) **Field of Classification Search**
USPC D30/108-109, 112-118, 161
CPC A01K 1/0245; A01K 1/03; A01K 1/033;
A01K 31/002; A01K 31/18; A01K 29/00;
A01K 1/00; A01K 1/02; A47D 13/02;
A47D 13/025; B62B 7/00
See application file for complete search history.

(56) **References Cited**

U.S. PATENT DOCUMENTS

4,696,259	A	9/1987	Fewox	
4,852,520	A *	8/1989	Goetz	A01K 1/0245 D30/108
D312,333	S *	11/1990	Van Skiver	D30/109
5,154,137	A *	10/1992	Stanaland	A01K 1/033 119/482
5,168,829	A	12/1992	Dietrich	
5,220,882	A	6/1993	Jenkins	
5,357,900	A *	10/1994	Ho	A01K 1/0245 119/479
5,669,331	A *	9/1997	Richmond	A01K 1/0245 119/497
5,727,503	A	3/1998	Whittaker	
6,345,591	B1 *	2/2002	Richmond	A01K 1/0245 119/497
6,427,631	B1 *	8/2002	Ross	A01K 1/0245 D30/109

6,571,740	B1	6/2003	Kinder et al.	
6,840,193	B2 *	1/2005	Kost	A01K 1/0245 119/482
7,036,458	B1	5/2006	Stornant	
D545,507	S *	6/2007	Harper	D30/108
D546,005	S *	7/2007	Harper	D30/108
D551,399	S *	9/2007	Harper	D30/108
D555,292	S *	11/2007	Harper	D30/108
D574,559	S *	8/2008	You	D30/109

(Continued)

FOREIGN PATENT DOCUMENTS

CN	12764148	Y	3/2006
CN	102037899	A	5/2011
WO	9918317	A1	4/1999

Primary Examiner — Cathy Anne MacCormac

(74) *Attorney, Agent, or Firm* — Waller Lansden Dortch & Davis LLP; Matthew C. Cox

(57) **CLAIM**

What is claimed is the ornamental design for an animal enclosure, as shown and described.

DESCRIPTION

FIG. 1 is a top perspective view of the animal enclosure of Applicant's invention.

FIG. 2 is a bottom perspective view of the animal enclosure of Applicant's invention.

FIG. 3 is a front view of the animal enclosure of Applicant's invention.

FIG. 4 is a back view of the animal enclosure of Applicant's invention.

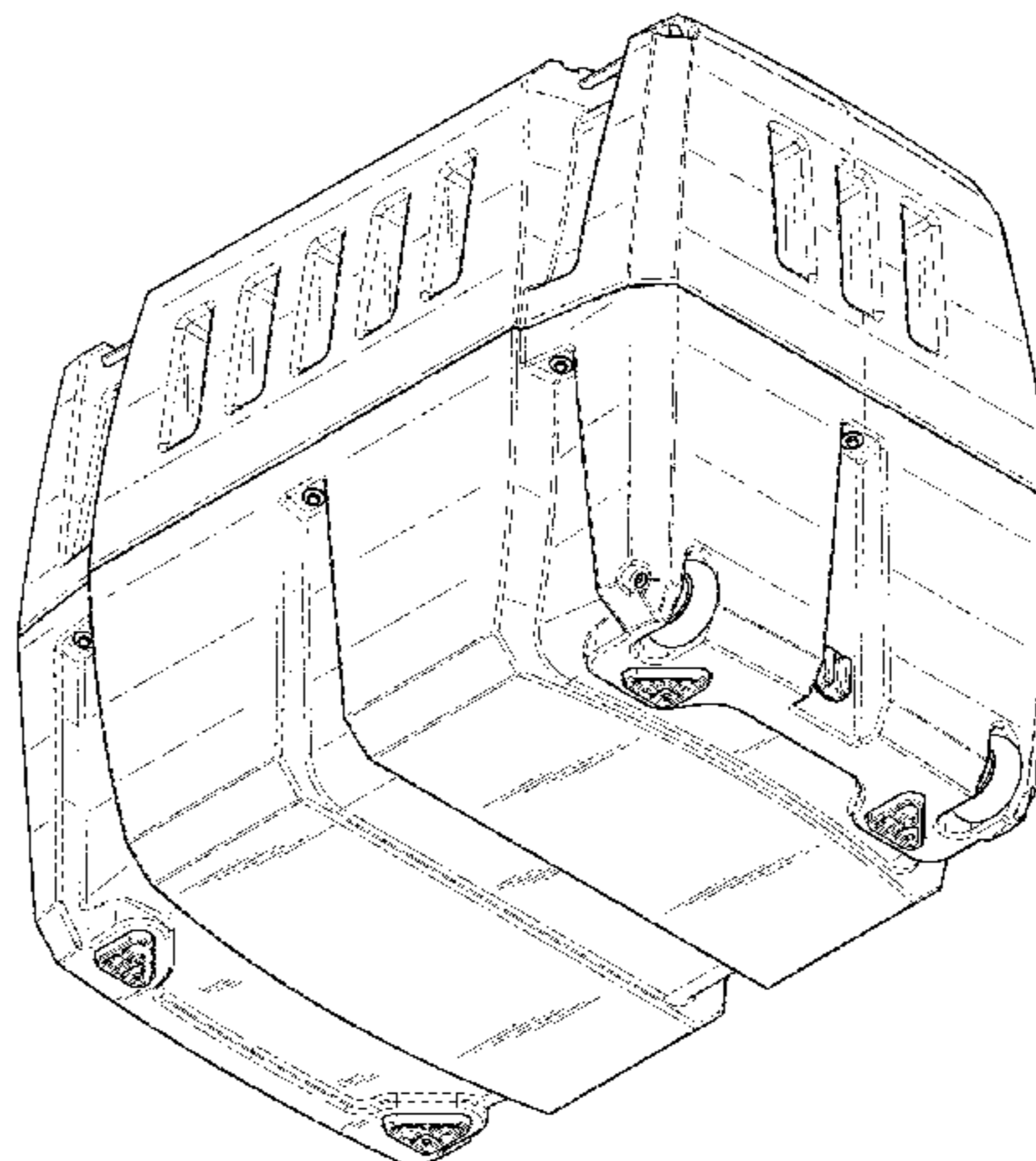
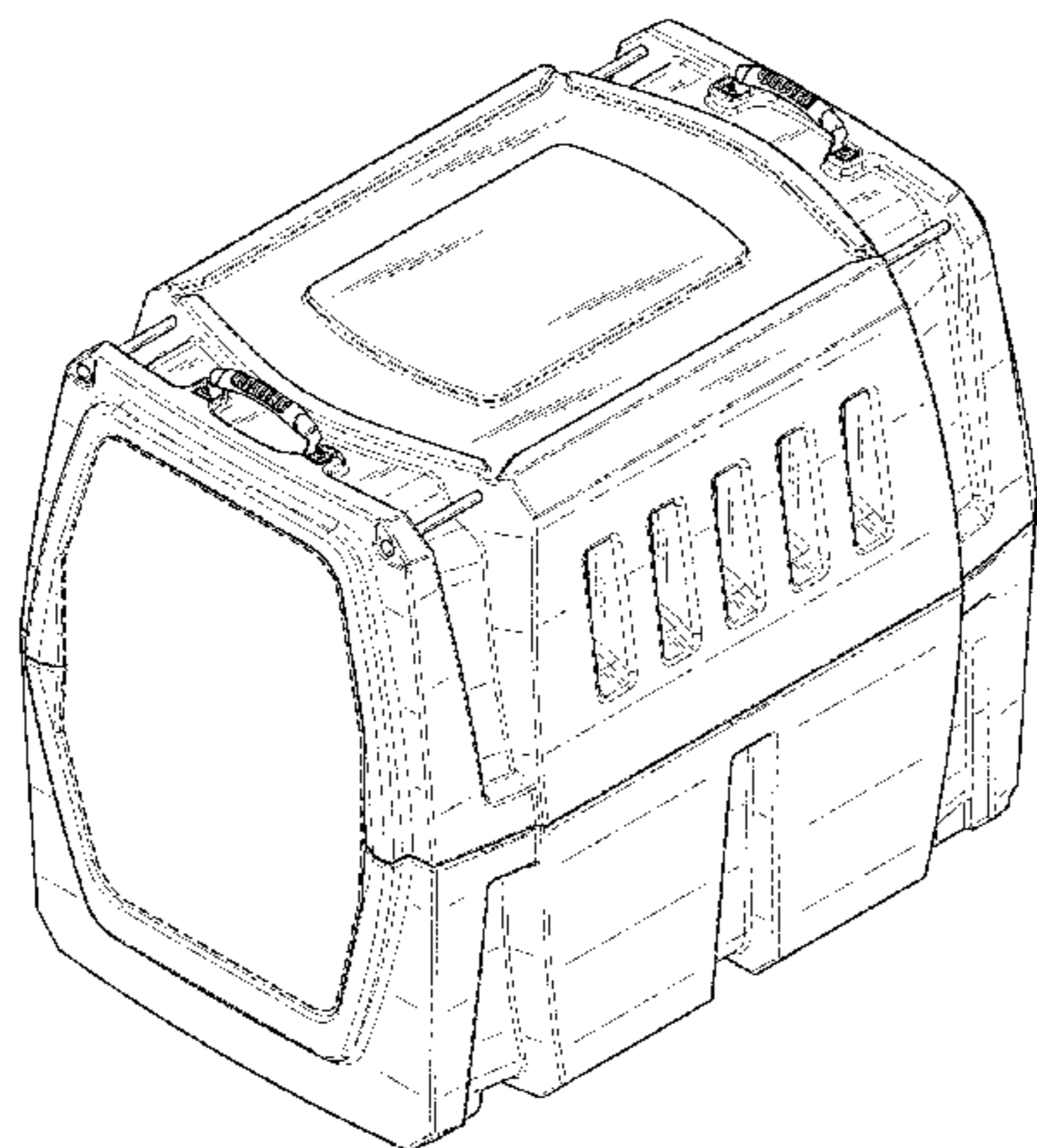
FIG. 5 is a right side view of the animal enclosure of Applicant's invention, the left side view being a mirror image of the right side shown.

FIG. 6 is a top view of the animal enclosure of Applicant's invention; and,

FIG. 7 is a bottom view of the animal enclosure of Applicant's invention.

In the Figures, the broken lines depict environmental subject matter and do not form part of the claimed invention.

1 Claim, 7 Drawing Sheets



(56)

References Cited

U.S. PATENT DOCUMENTS

D615,251 S *	5/2010	Scherbing	D30/109	8,733,292 B2	5/2014	Nichols	
8,127,715 B2	3/2012	Leung		D717,005 S *	11/2014	Skaggs	D30/108
8,127,719 B2	3/2012	Jakubowski et al.		9,095,120 B1 *	8/2015	Skaggs	A01K 1/0245
8,132,537 B2 *	3/2012	Trunnell	A01K 1/0245	9,119,375 B2	9/2015	Flannery et al.	
			119/496	D760,447 S	6/2016	Edmonds	
D671,691 S *	11/2012	Neilan	D30/108	9,370,165 B2	6/2016	de Bien	
8,336,500 B1 *	12/2012	Britt	119/472	2004/0016409 A1	1/2004	Schwinghammer et al.	
8,408,416 B2	4/2013	Cheng-Lung et al.		2004/0134444 A1	7/2004	Shiever et al.	
8,413,472 B2 *	4/2013	Chiang	E05G 1/024	2010/0043720 A1	2/2010	Yelverton	
			70/63	2010/0192870 A1 *	8/2010	Wood	A01K 1/0245
8,544,417 B2 *	10/2013	Sangl	A01K 1/0245				119/496
			119/482	2012/0037083 A1	2/2012	Greene	
D703,876 S *	4/2014	Chance	D30/108	2013/0055962 A1	3/2013	Scoggins	
				2013/0220231 A1	8/2013	Hovsepian	
				2015/0034018 A1	2/2015	Edmonds	
				2016/0192615 A1	7/2016	Parness	

* cited by examiner

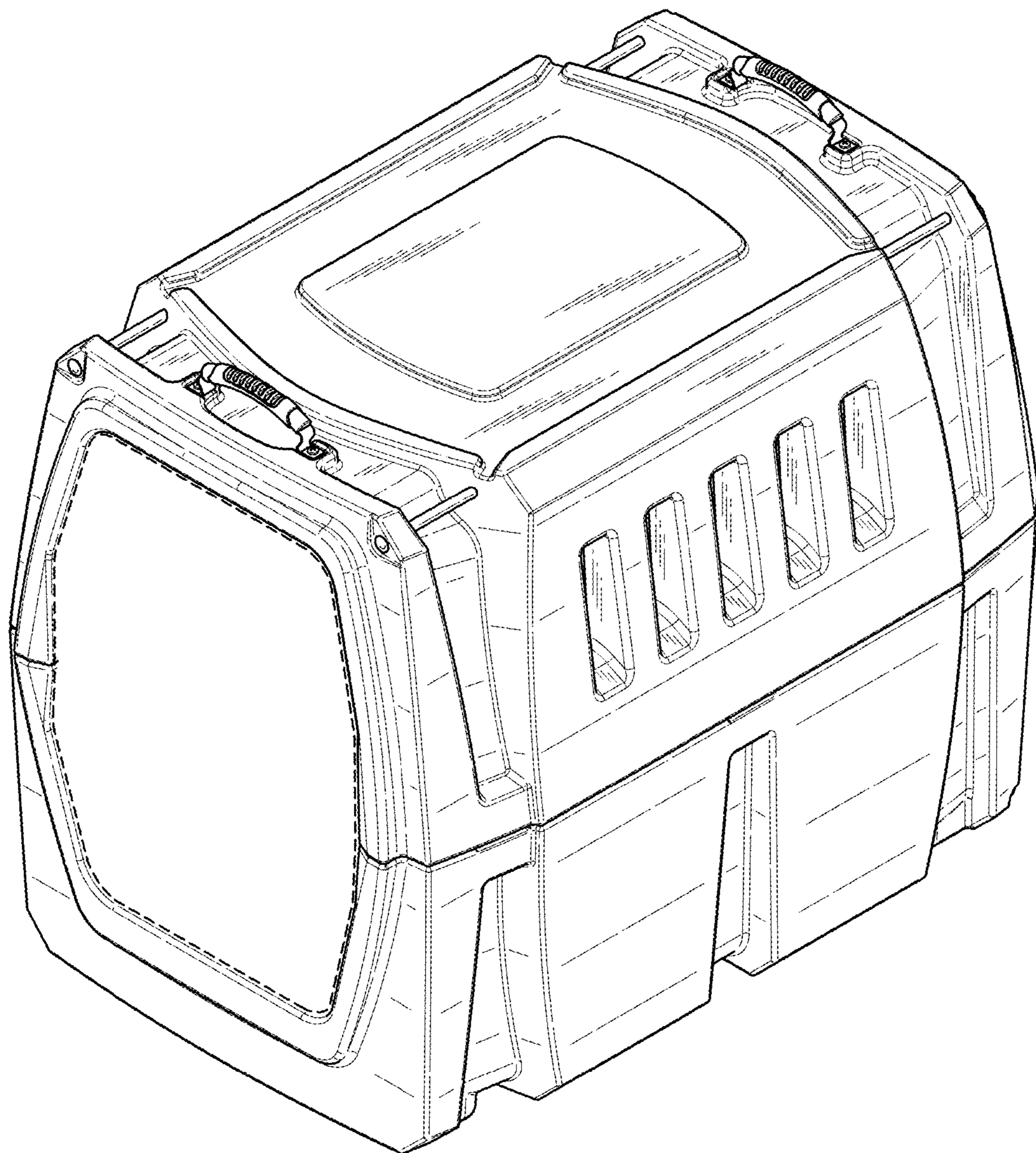


FIG. 1

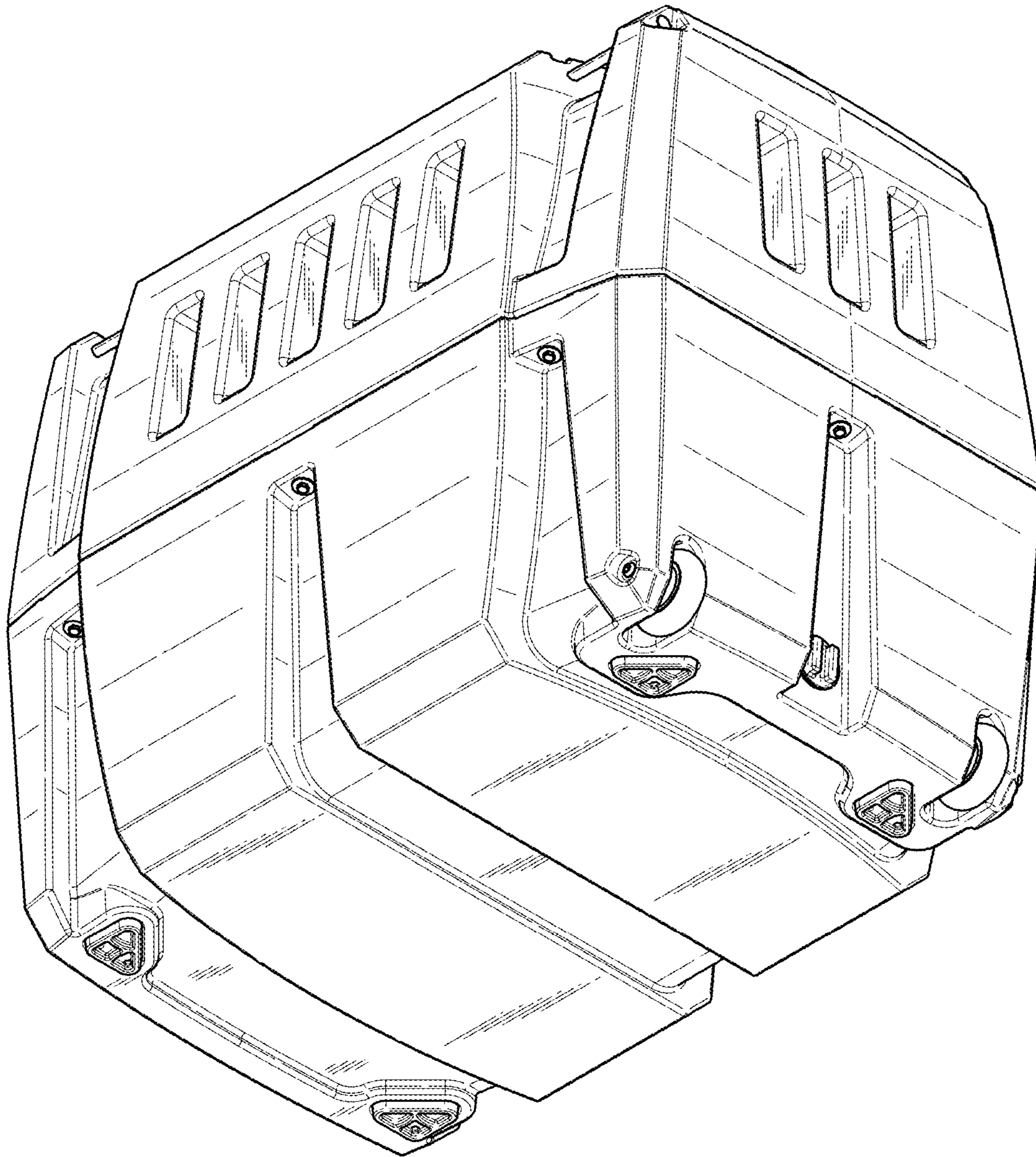


FIG. 2

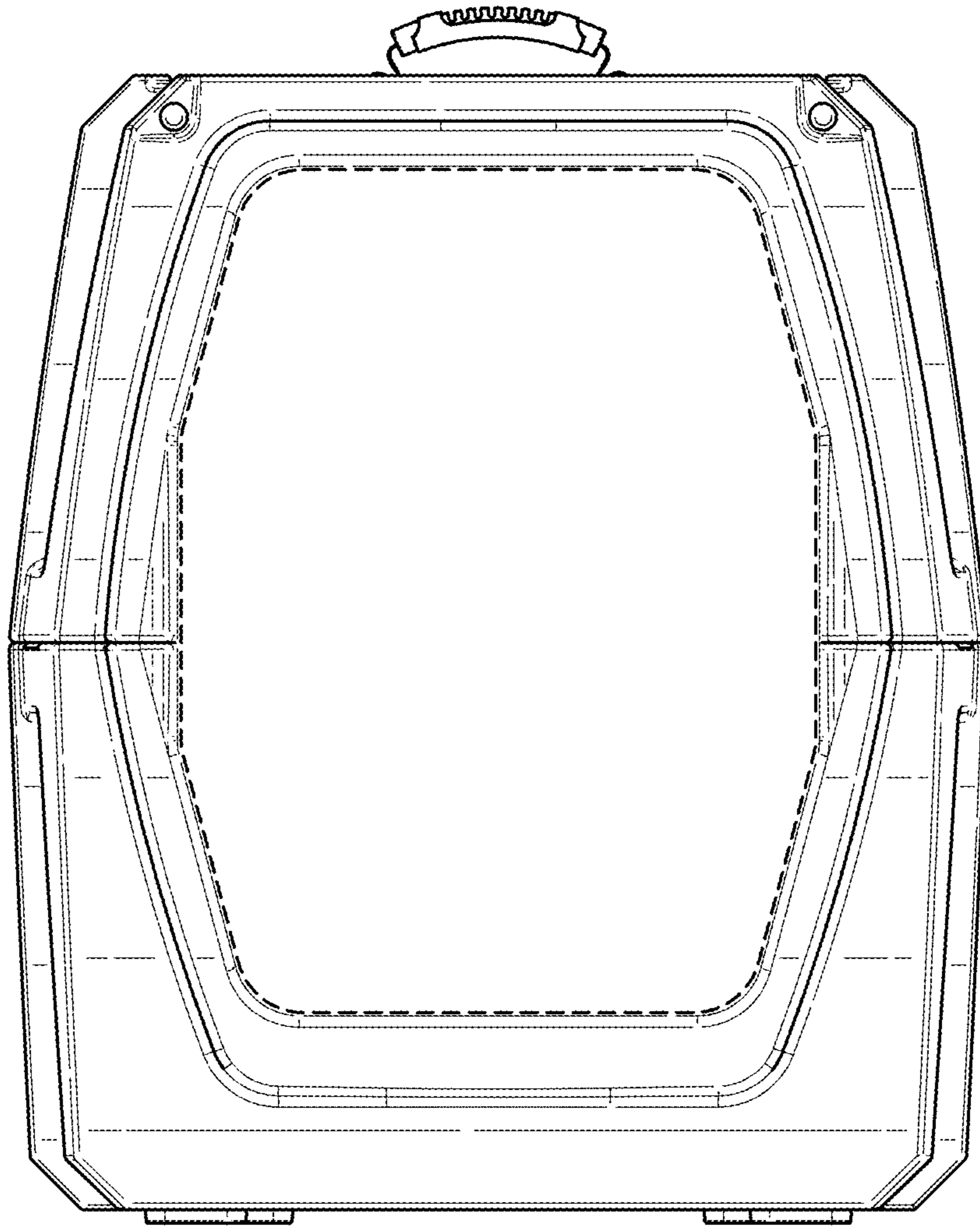


FIG. 3

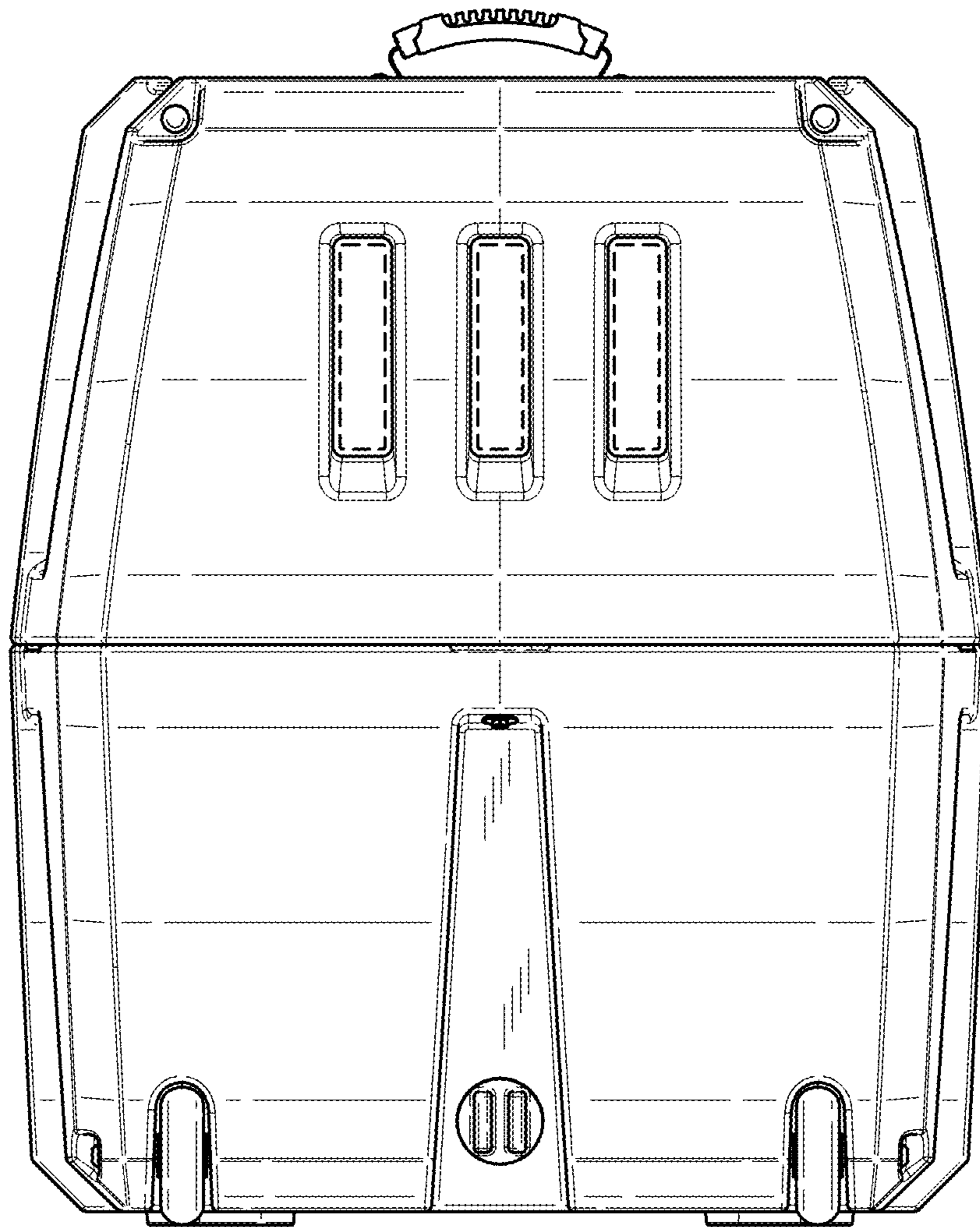


FIG. 4

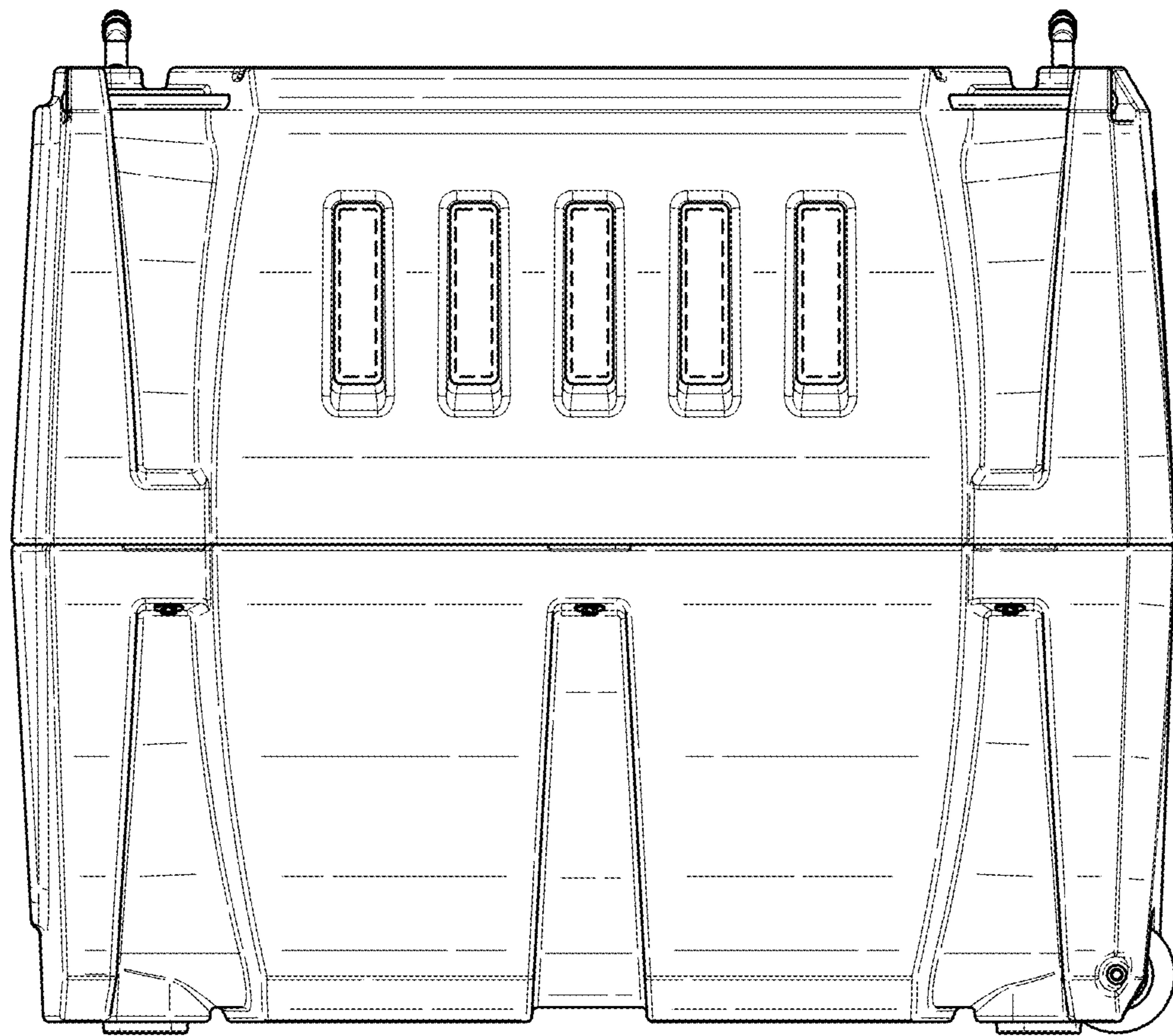


FIG. 5

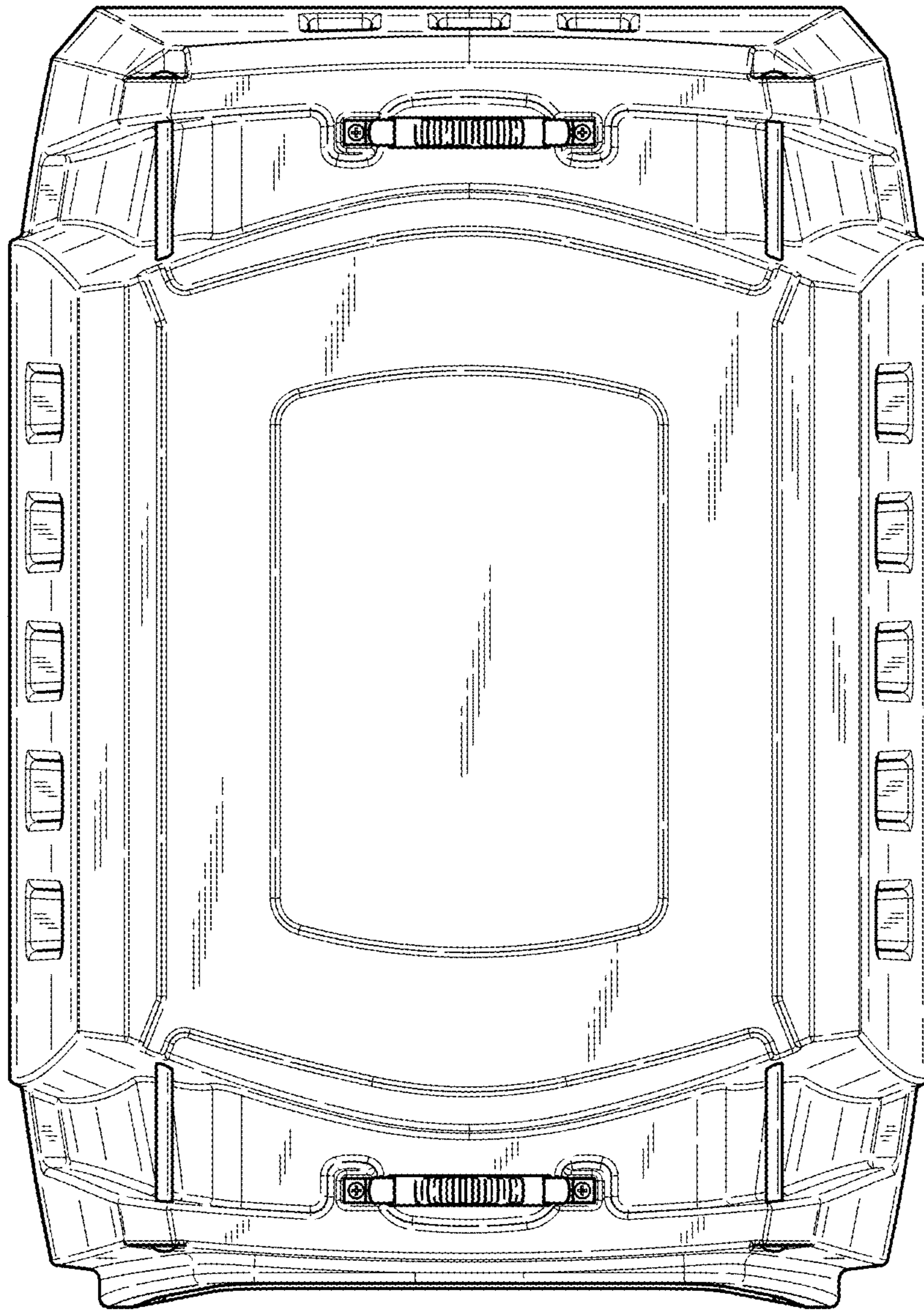


FIG. 6

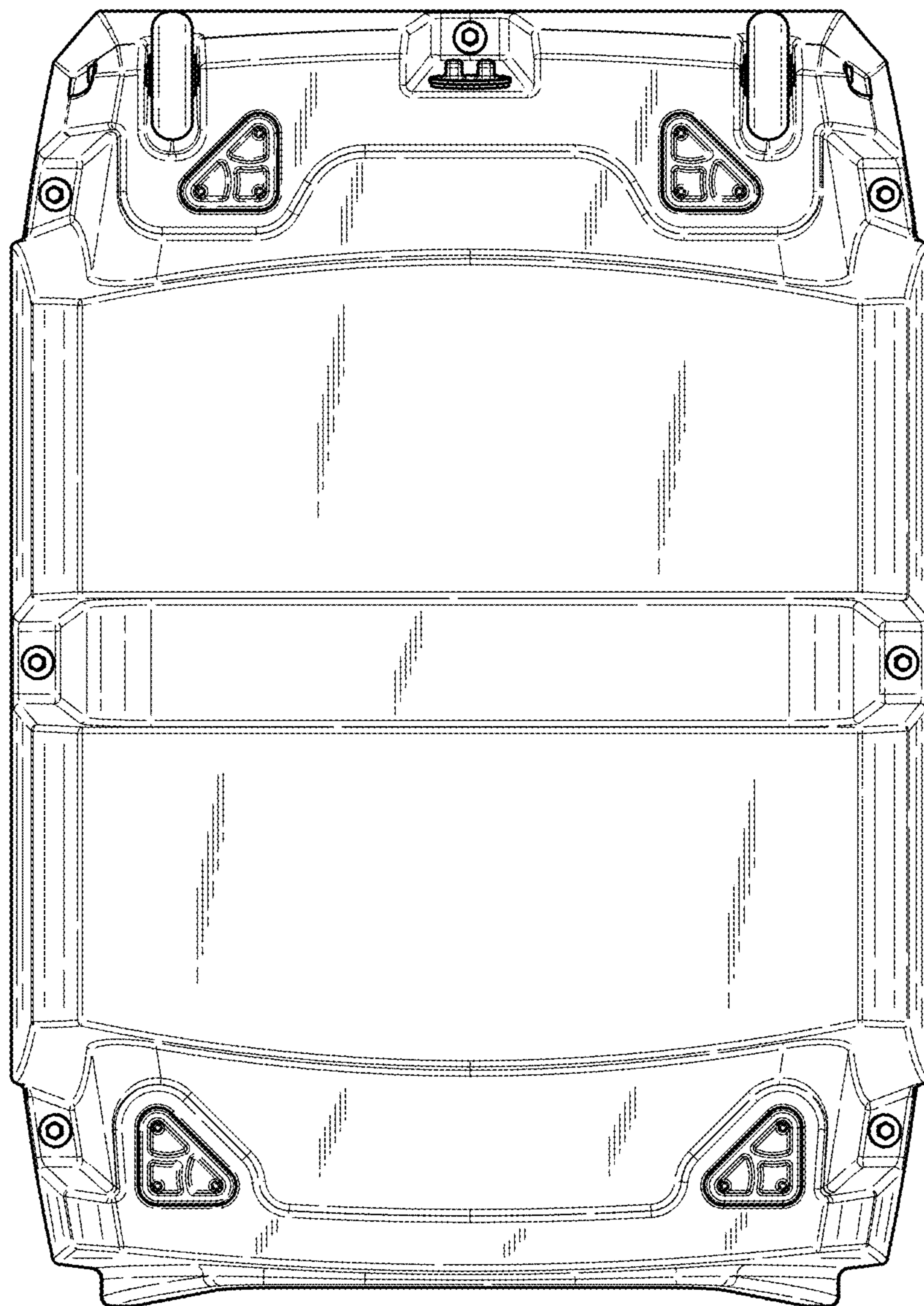


FIG. 7