



US00D768935S

(12) **United States Design Patent**  
**Parker**

(10) **Patent No.:** **US D768,935 S**

(45) **Date of Patent:** **\*\* Oct. 11, 2016**

(54) **COSMETIC COMPACT CASE**

(71) Applicant: **Philippe Oliver Parker, Zetjun (MT)**

(72) Inventor: **Philippe Oliver Parker, Zetjun (MT)**

(\*\*) Term: **14 Years**

(21) Appl. No.: **29/506,706**

(22) Filed: **Oct. 20, 2014**

(30) **Foreign Application Priority Data**

Sep. 5, 2014 (EM) ..... 002532564-0006

(51) **LOC (10) Cl.** ..... **28-03**

(52) **U.S. Cl.**  
USPC ..... **D28/83**

(58) **Field of Classification Search**  
USPC ..... D28/76-84  
CPC ..... A45D 33/00-33/003; A45D 33/006;  
A45D 33/008; A45D 33/02; A45D 33/025;  
A45D 33/06-33/10; A45D 33/16; A45D  
33/18; A45D 33/20; A45D 33/22; A45D  
33/24; A45D 33/26; A45D 33/28; A45D  
40/00; A45D 40/22-40/24; A45D 40/0075  
See application file for complete search history.

(56) **References Cited**

**U.S. PATENT DOCUMENTS**

D291,609 S \* 8/1987 Bakic ..... D28/83  
D682,474 S \* 5/2013 Owen ..... D28/83

D682,475 S \* 5/2013 Owen ..... D28/83  
D687,186 S \* 7/2013 Lai ..... D28/83  
D687,187 S \* 7/2013 Lai ..... D28/83  
D687,188 S \* 7/2013 Lai ..... D28/83  
D721,856 S \* 1/2015 Villarreal ..... D28/83  
D722,205 S \* 2/2015 Parker ..... D28/83  
D722,406 S \* 2/2015 Greenfield ..... D28/83

\* cited by examiner

*Primary Examiner* — Jennifer Rivard

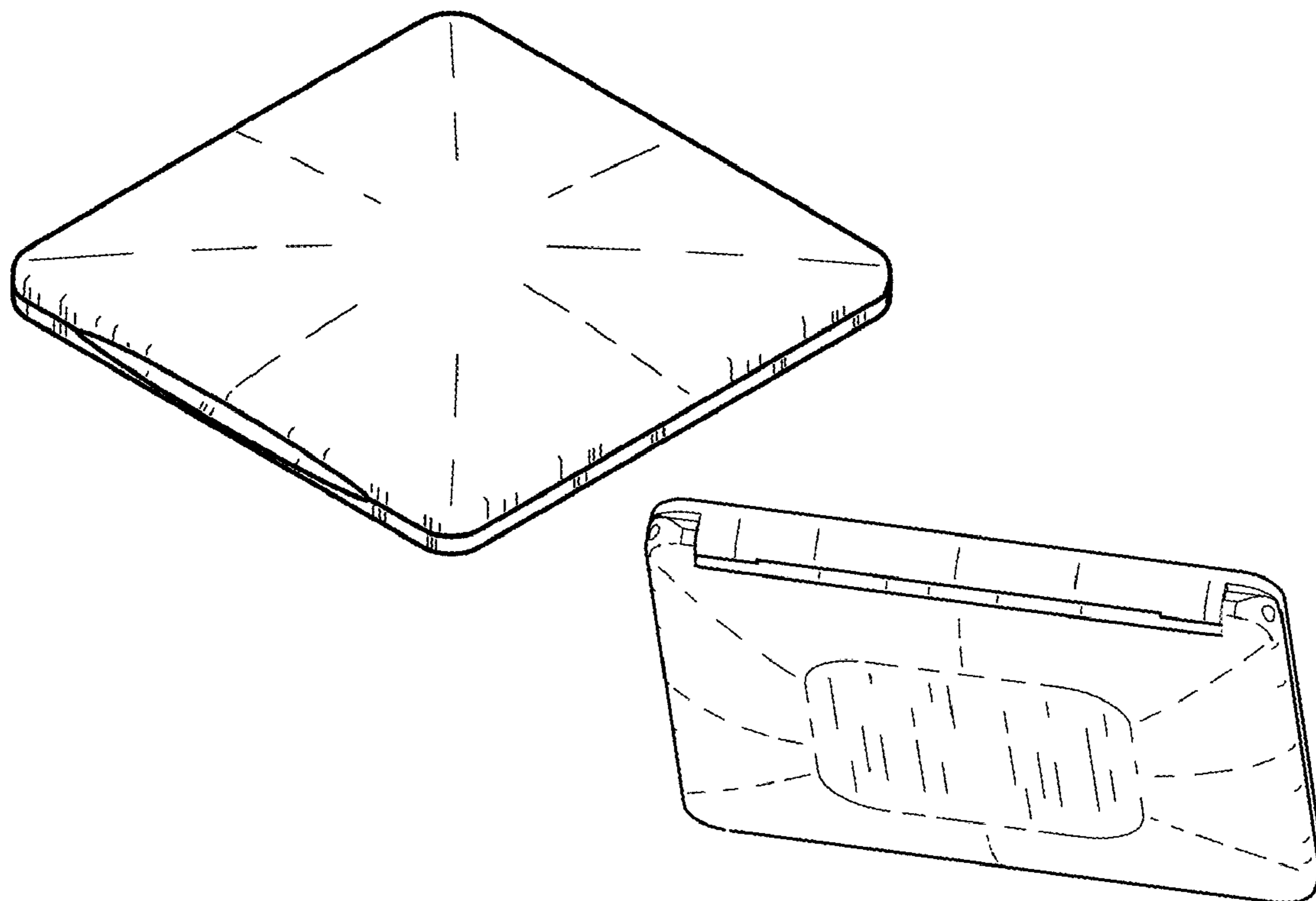
(57) **CLAIM**

I, claim the ornamental design for a cosmetic compact case, as shown and described.

**DESCRIPTION**

FIG. 1 is a top plan view of a cosmetic compact case showing my new design.  
FIG. 2 is a bottom plan view thereof.  
FIG. 3 is a perspective top view thereof.  
FIG. 4 is a front elevation view thereof.  
FIG. 5 is a rear elevation view thereof.  
FIG. 6 is a right side elevation view thereof.  
FIG. 7 is a left side elevation view thereof.  
FIG. 8 is a bottom rear perspective view thereof; and,  
FIG. 9 is an enlarged partial perspective view thereof.

**1 Claim, 1 Drawing Sheet**



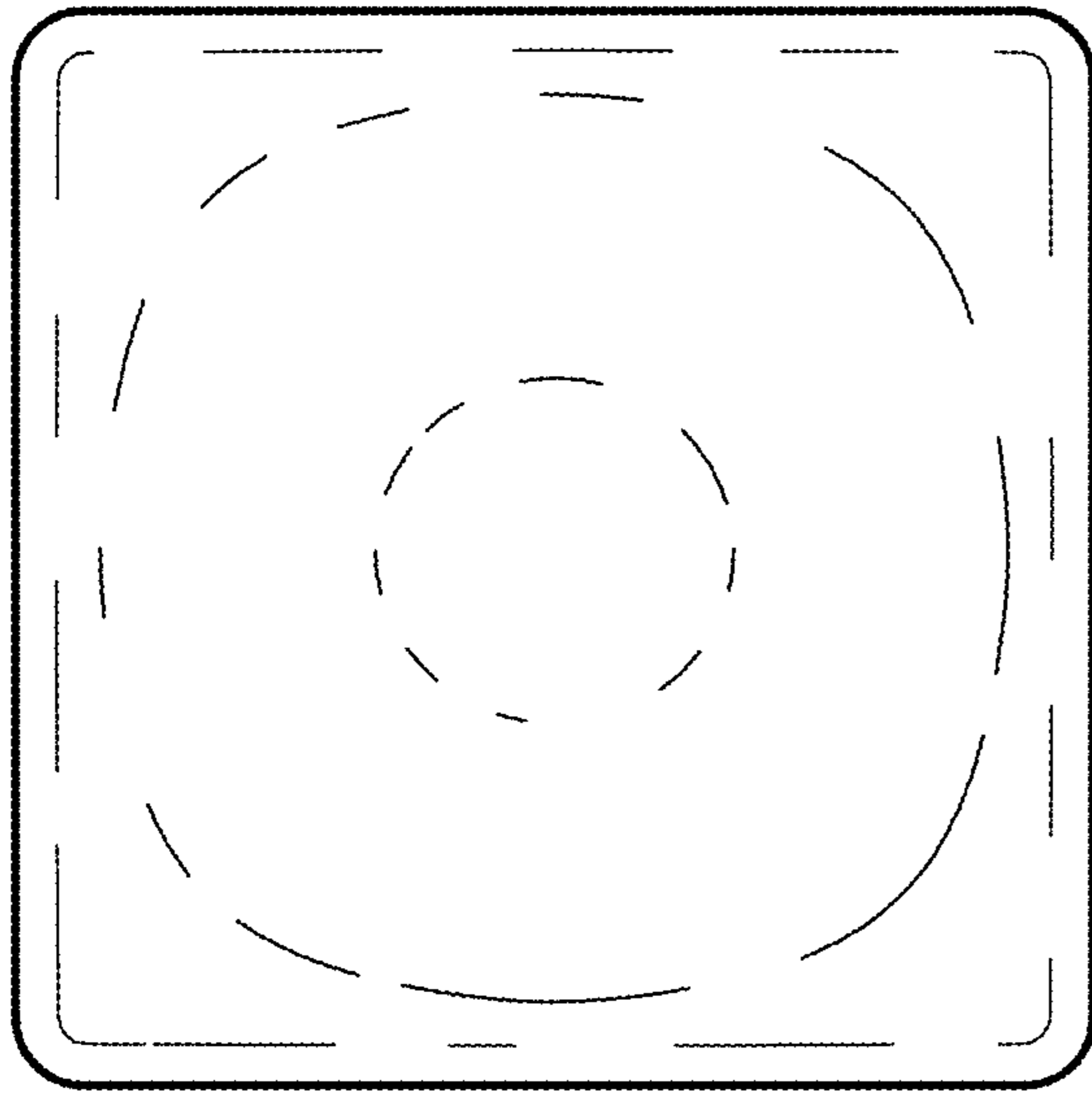


FIG. 1

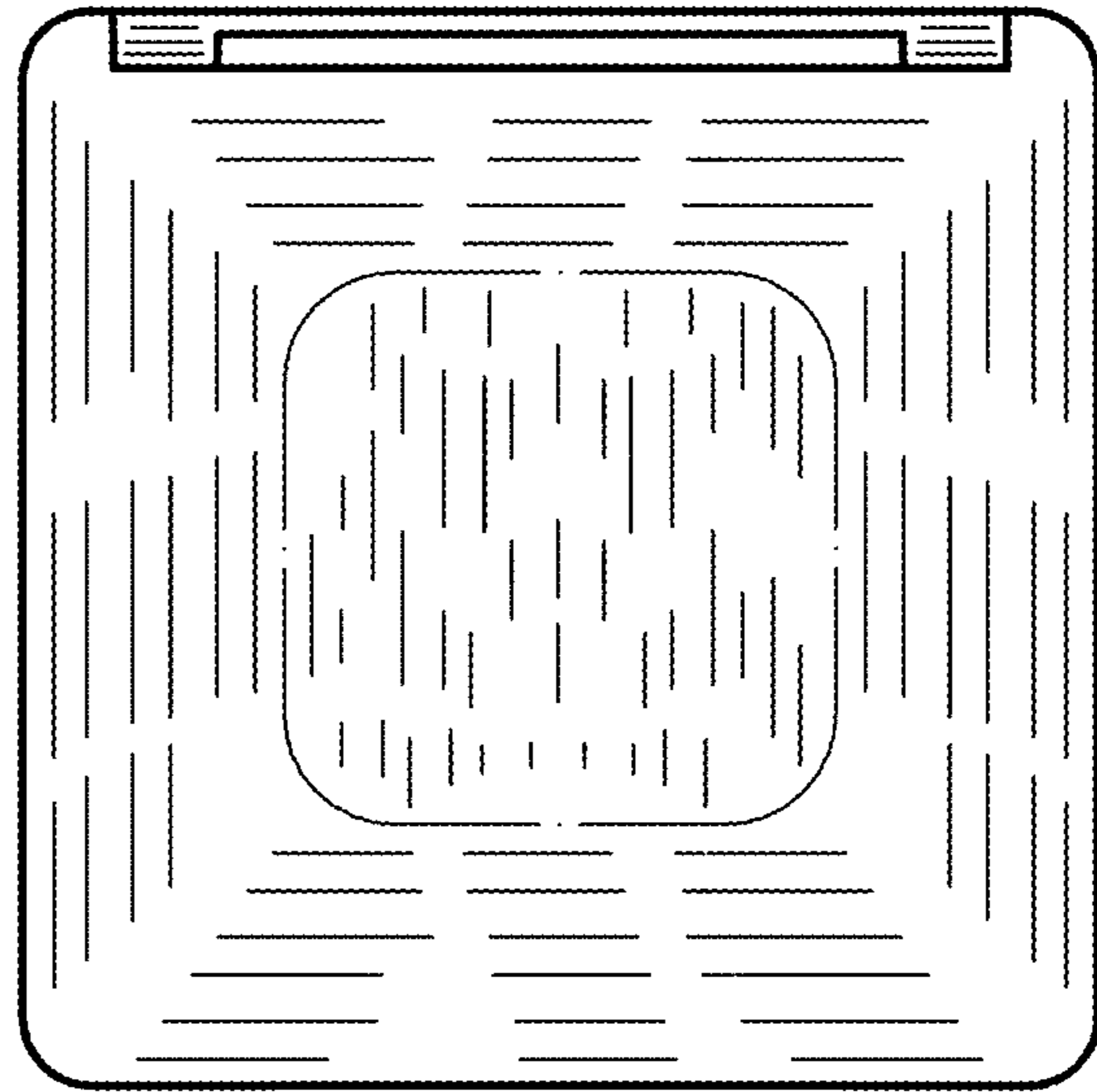


FIG. 2

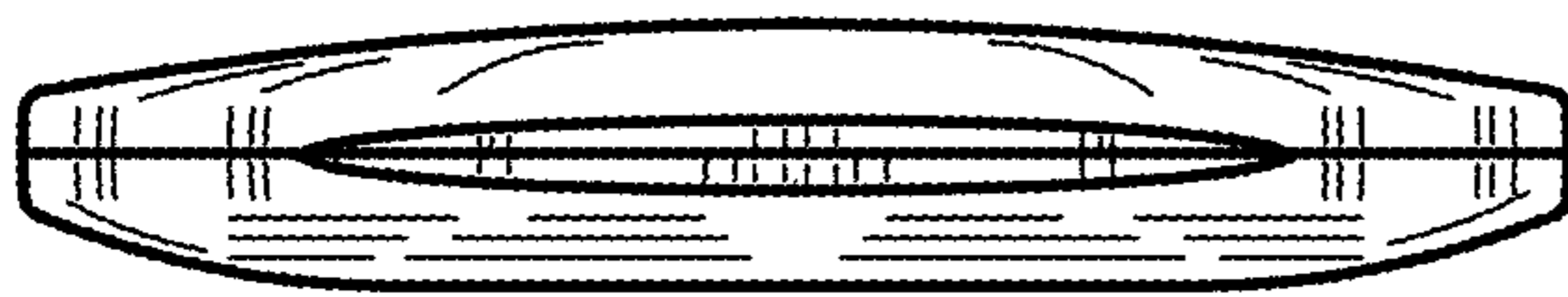


FIG. 3



FIG. 4



FIG. 5

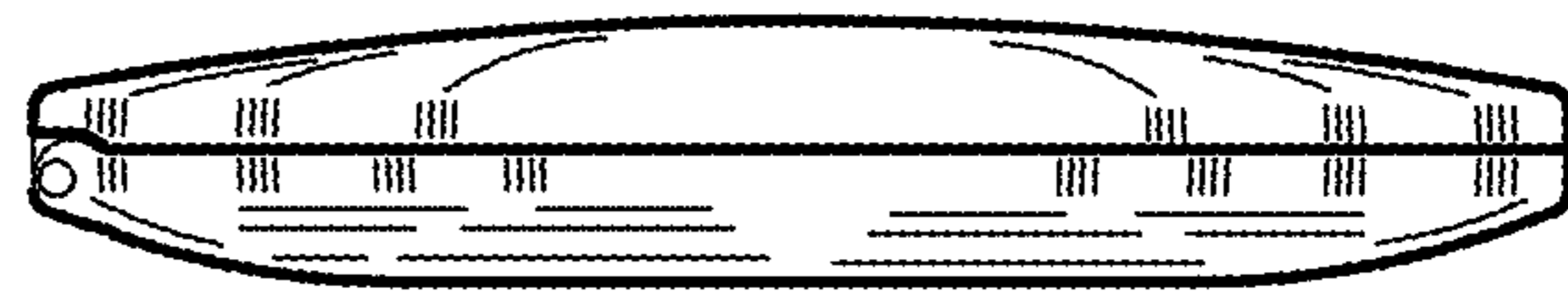


FIG. 6

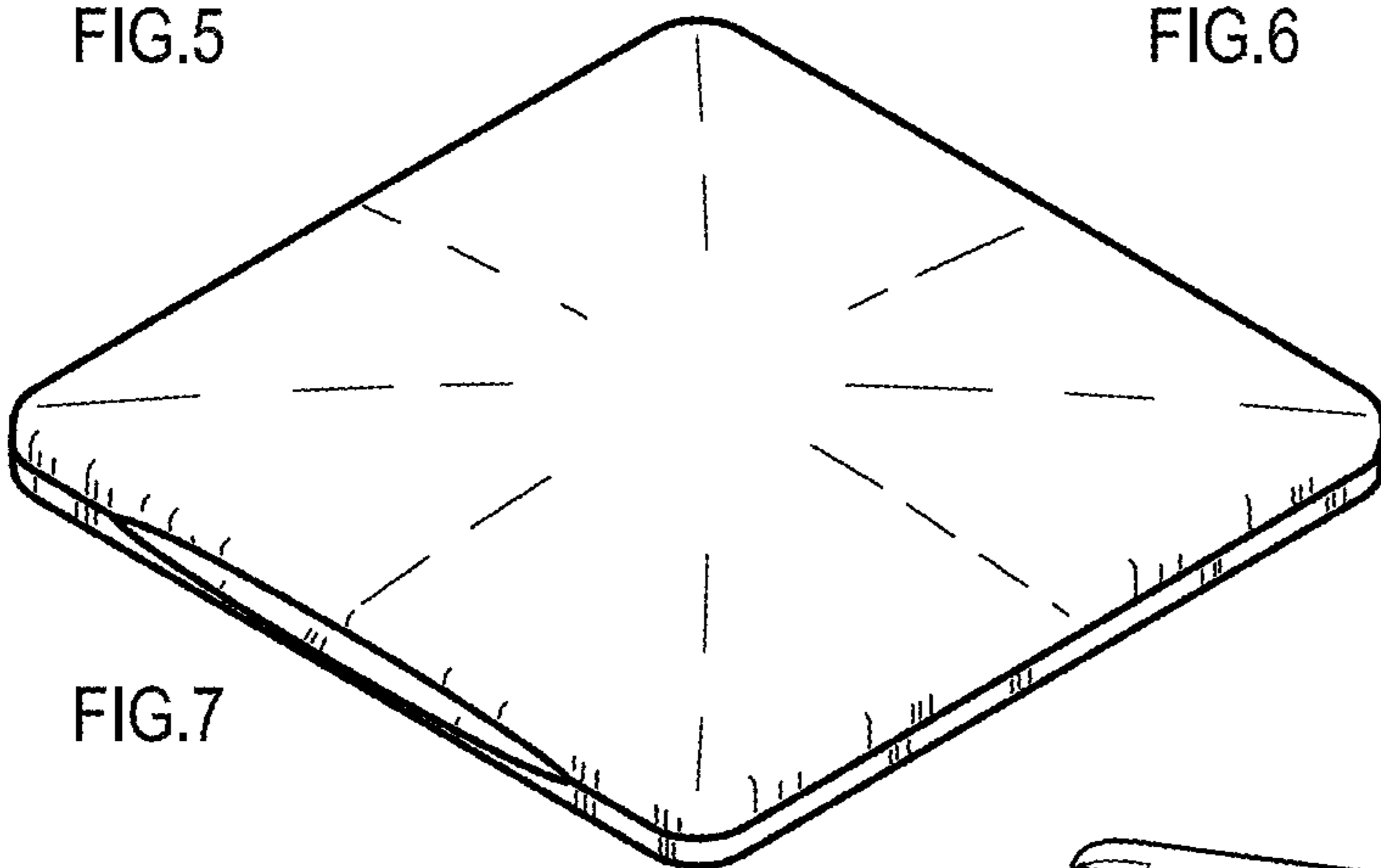


FIG. 7

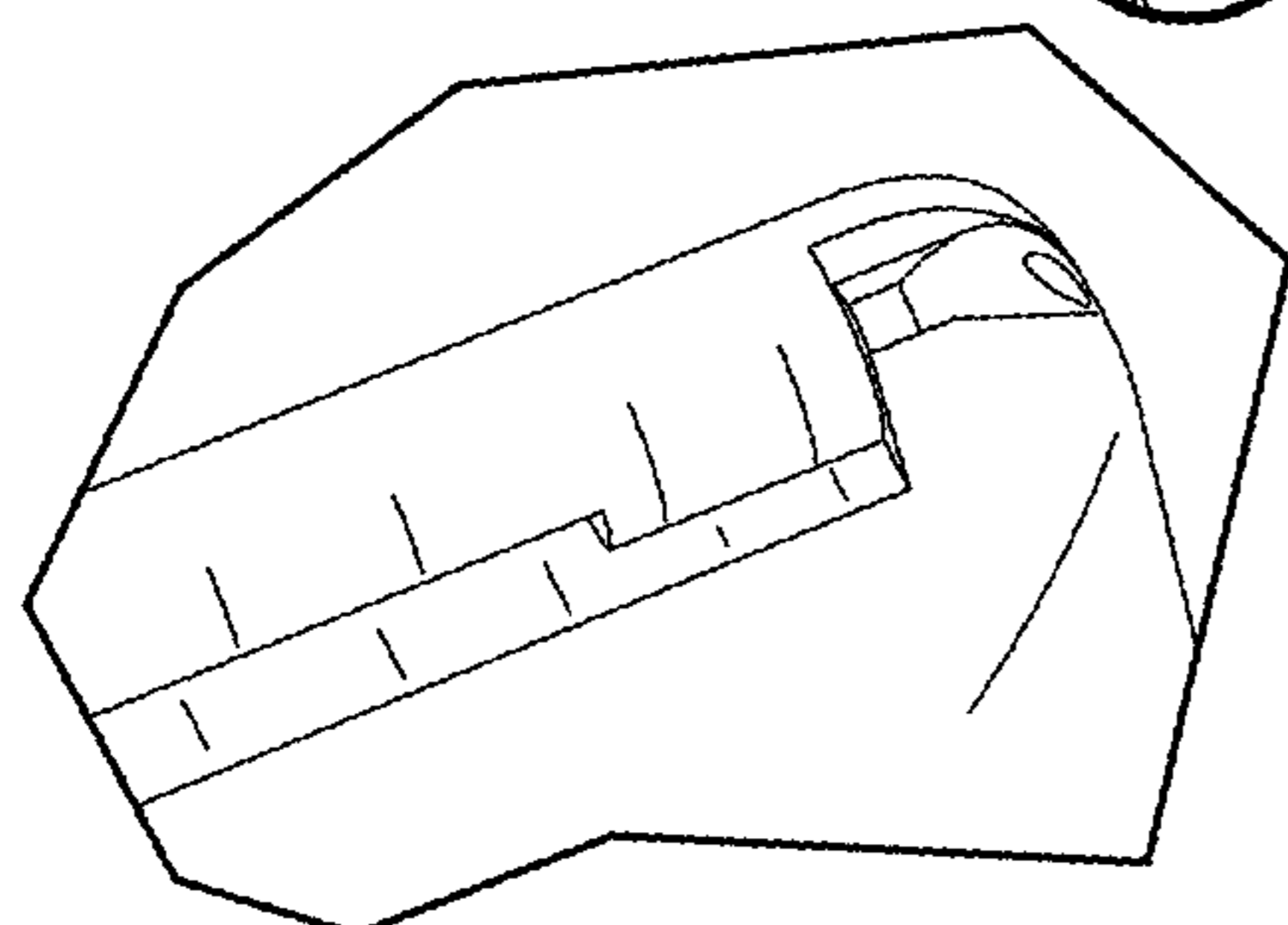


FIG. 9

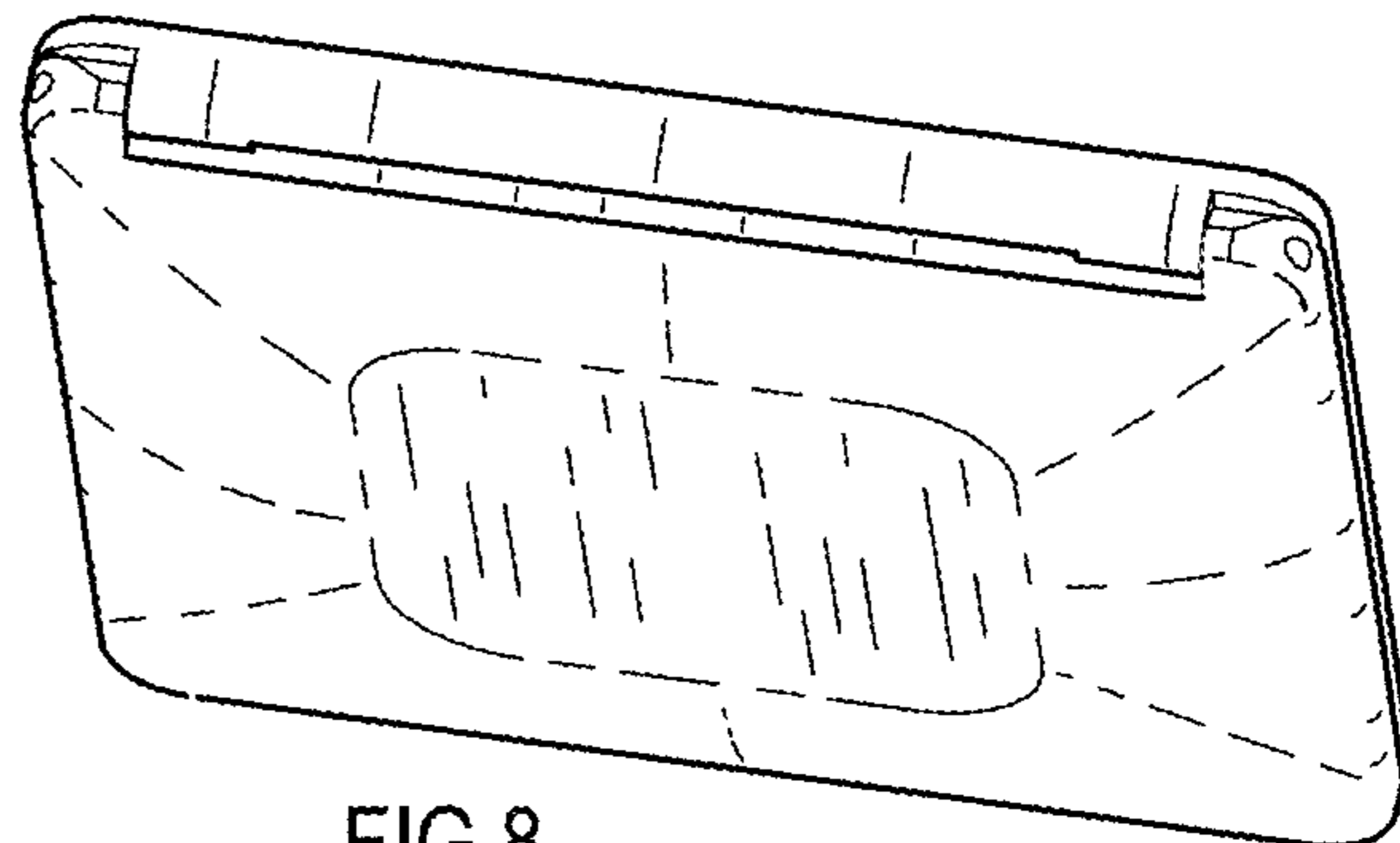


FIG. 8