



US00D768934S

(12) **United States Design Patent**
Osweler

(10) **Patent No.:** **US D768,934 S**
(45) **Date of Patent:** **** Oct. 11, 2016**

(54) **HAIR STYLIST'S CHAIR ACCESSORY WITH MOUNTING STRAPS**

(71) Applicant: **Cathryn A. Osweler**, Phoenix, AZ (US)

(72) Inventor: **Cathryn A. Osweler**, Phoenix, AZ (US)

(**) Term: **15 Years**

(21) Appl. No.: **29/547,149**

(22) Filed: **Dec. 1, 2015**

Related U.S. Application Data

(63) Continuation-in-part of application No. 29/481,285, filed on Feb. 4, 2014, now Pat. No. Des. 747,553.

(51) **LOC (10) Cl.** **23-03**

(52) **U.S. Cl.**
USPC **D28/73**; D28/38; D3/215; D3/224; D3/229

(58) **Field of Classification Search**

USPC D28/9, 10, 11, 73, 76, 17, 20, 38, 77, D28/99, 75, 41; 248/121, 519, 188.7, 523; D6/677.3, 405, 682.6, 682.5; D10/125; D24/233, 128, 214, 194; D3/27, 23, D3/24, 205, 215, 224, 229, 221; 132/273, 132/56; 112/169; D16/242, 249; 211/85.23, 211/70.6; D4/127, 128, 114, 138; 606/234; D21/682; D18/15; 224/245, 148.4, 224/148.6

CPC A47K 1/08; A47K 5/08; A47K 5/02; A47K 5/04; A47K 3/16; A47K 3/18

See application file for complete search history.

(56) **References Cited**

U.S. PATENT DOCUMENTS

4,295,345 A * 10/1981 Atkinson A45C 11/20 206/427
4,330,073 A * 5/1982 Clark A45C 11/38 206/316.1

4,449,654 A * 5/1984 Cappis A45F 3/16 224/148.3
D279,520 S * 7/1985 Brinson, Jr. D2/626
D298,382 S * 11/1988 Webster D3/224
4,867,360 A * 9/1989 Howard A47L 13/51 224/148.4
D317,228 S * 6/1991 Stufflebeam D3/224
D387,499 S * 12/1997 Schmidt D29/101.1
5,871,106 A * 2/1999 Oksa F16M 13/00 211/113
D482,863 S * 12/2003 Flood D3/224
D526,776 S * 8/2006 Riley D3/215
7,100,810 B1 * 9/2006 Bosch F42B 39/02 224/196
D572,465 S * 7/2008 Beck D3/215
D703,383 S * 4/2014 Petruccelli D28/38
8,960,511 B2 * 2/2015 Shepherd A45C 3/00 224/259
D747,553 S * 1/2016 Osweler D28/38

* cited by examiner

Primary Examiner — Marianne Pandozzi

(74) *Attorney, Agent, or Firm* — Paul B. Heynsses
Attorney at Law, PLC

(57) **CLAIM**

The ornamental design for a hair stylist's chair accessory with mounting straps, as shown.

DESCRIPTION

FIG. 1 is a front top right perspective view of a hair stylist's chair accessory with mounting straps showing my new design;

FIG. 2 is a front top left perspective view of a hair stylist's chair accessory with mounting straps showing my new design;

FIG. 3 is a front bottom right perspective view of a hair stylist's chair accessory with mounting straps showing my new design;

FIG. 4 is a front bottom left perspective view of a hair stylist's chair accessory with mounting straps showing my new design;

FIG. 5 is a front view thereof;

FIG. 6 is a right view thereof;

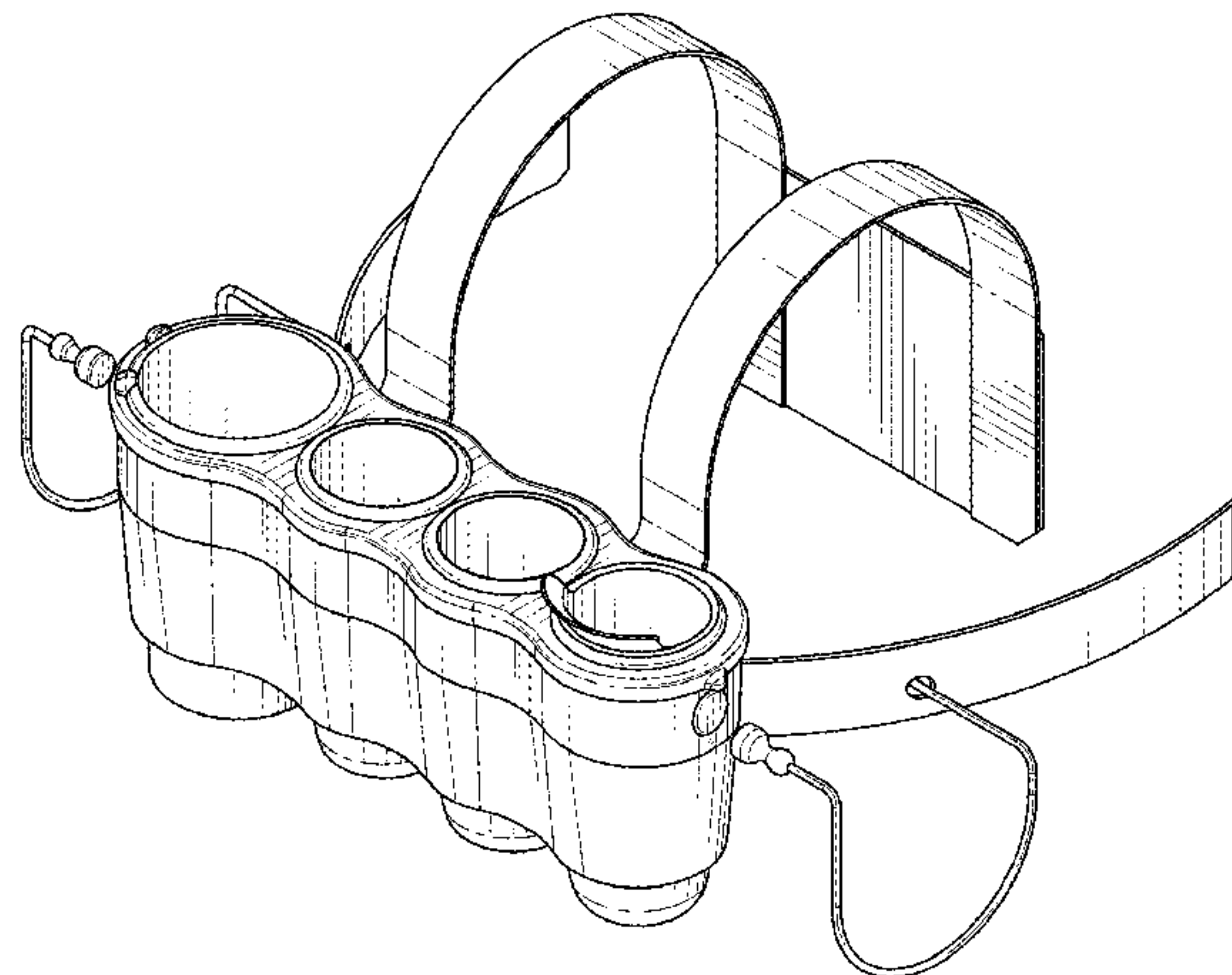
FIG. 7 is a left view thereof;

FIG. 8 is a top view thereof;

FIG. 9 is a bottom view thereof; and,

FIG. 10 is a rear view thereof.

1 Claim, 10 Drawing Sheets



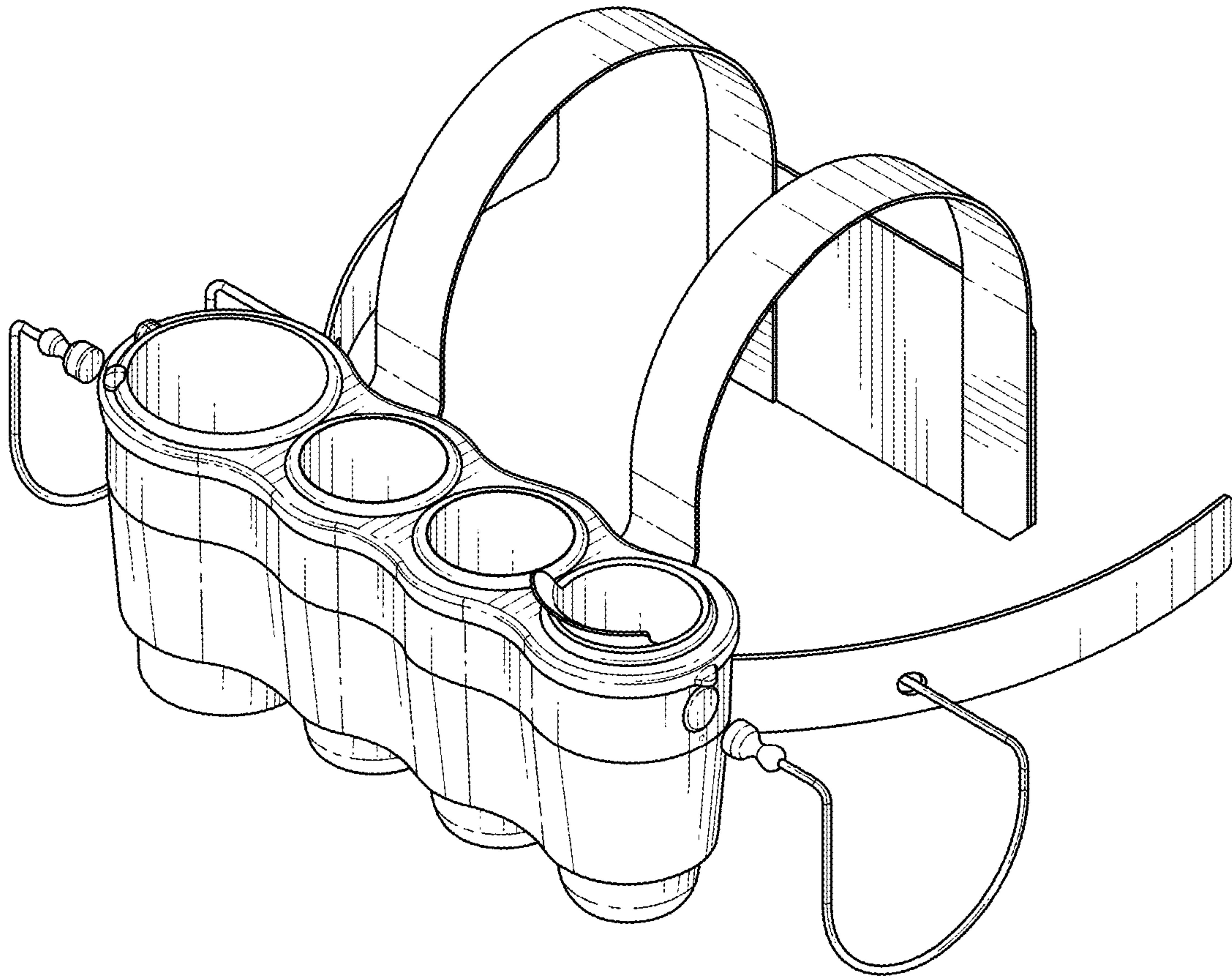


FIG. 1

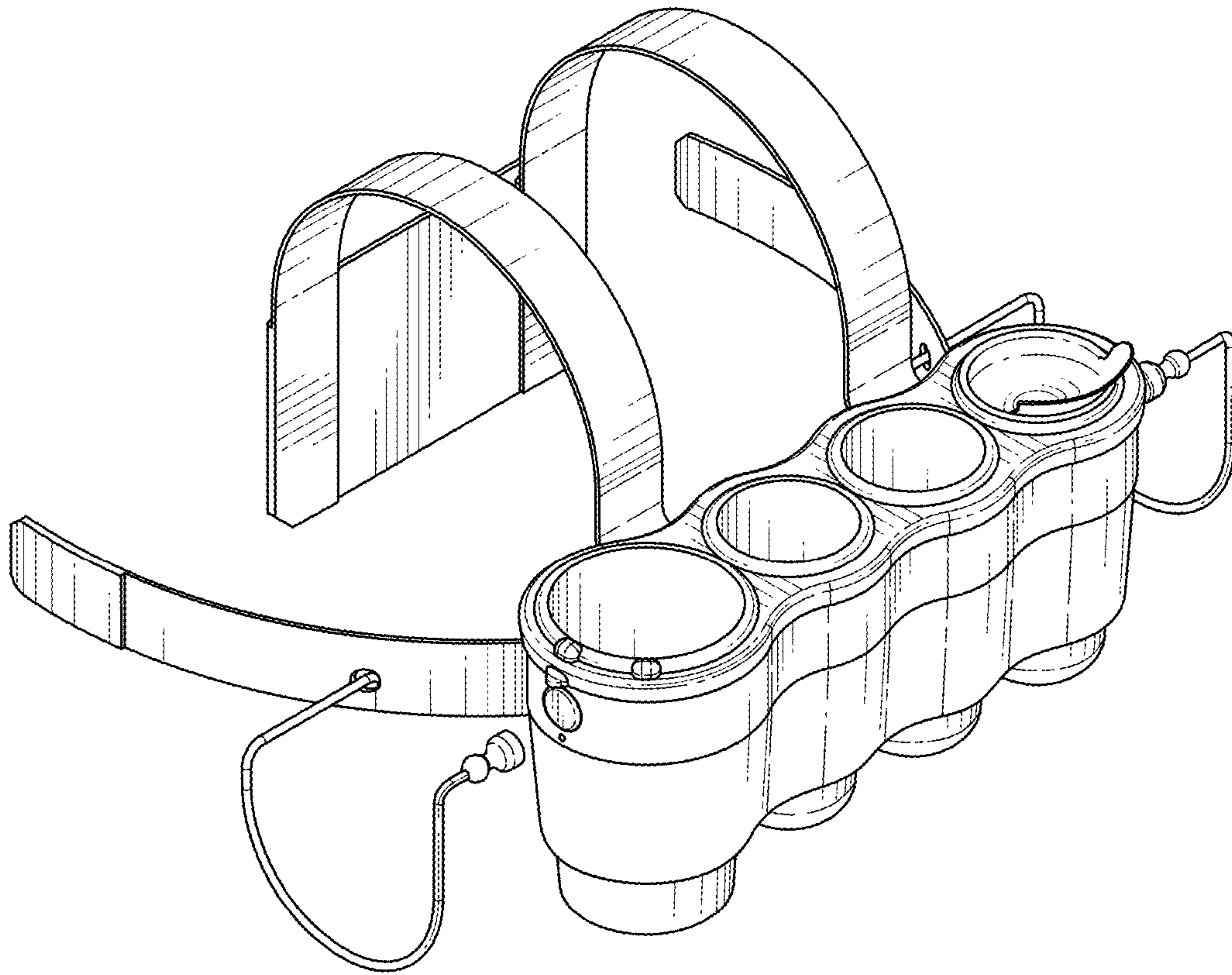


FIG. 2

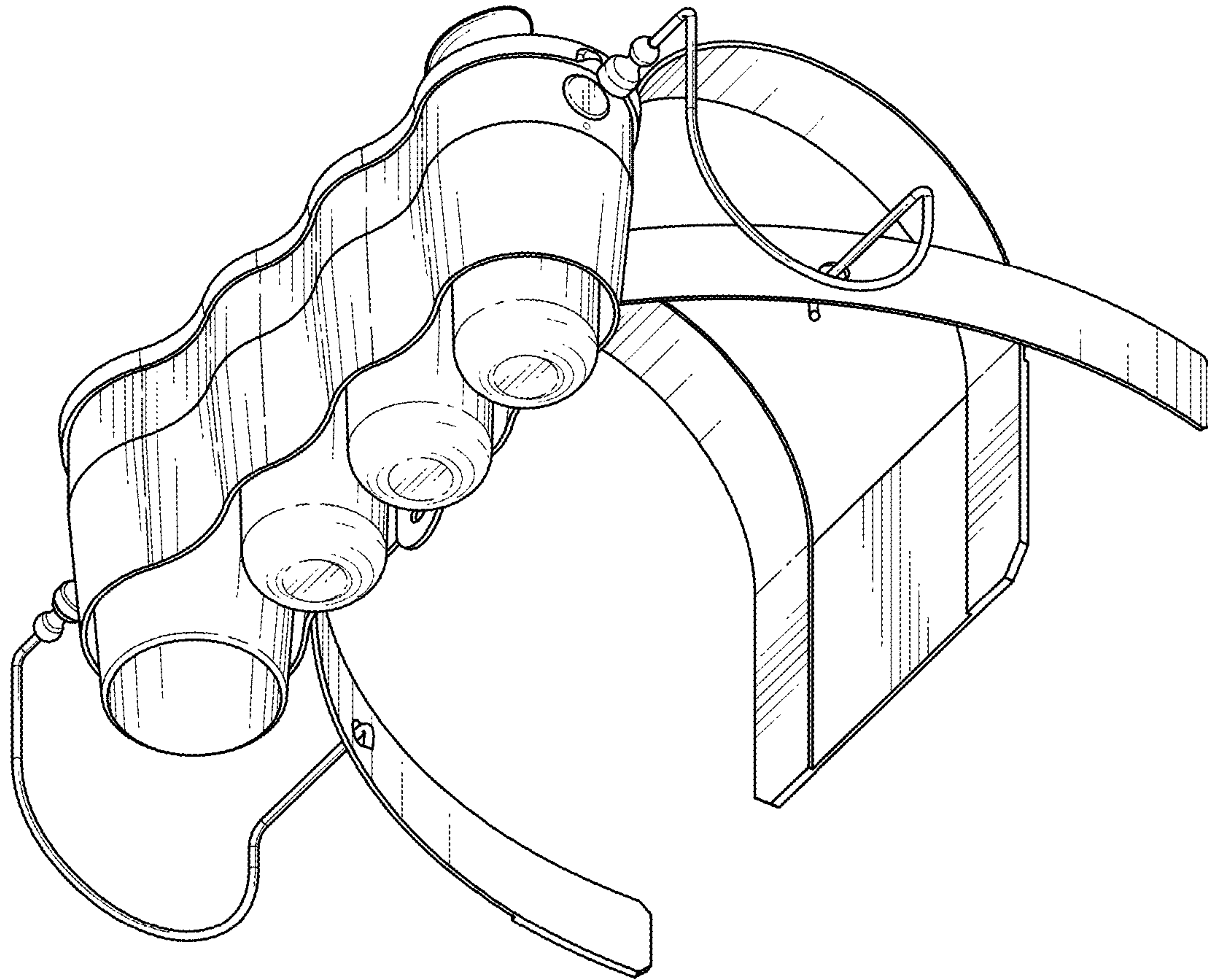


FIG. 3

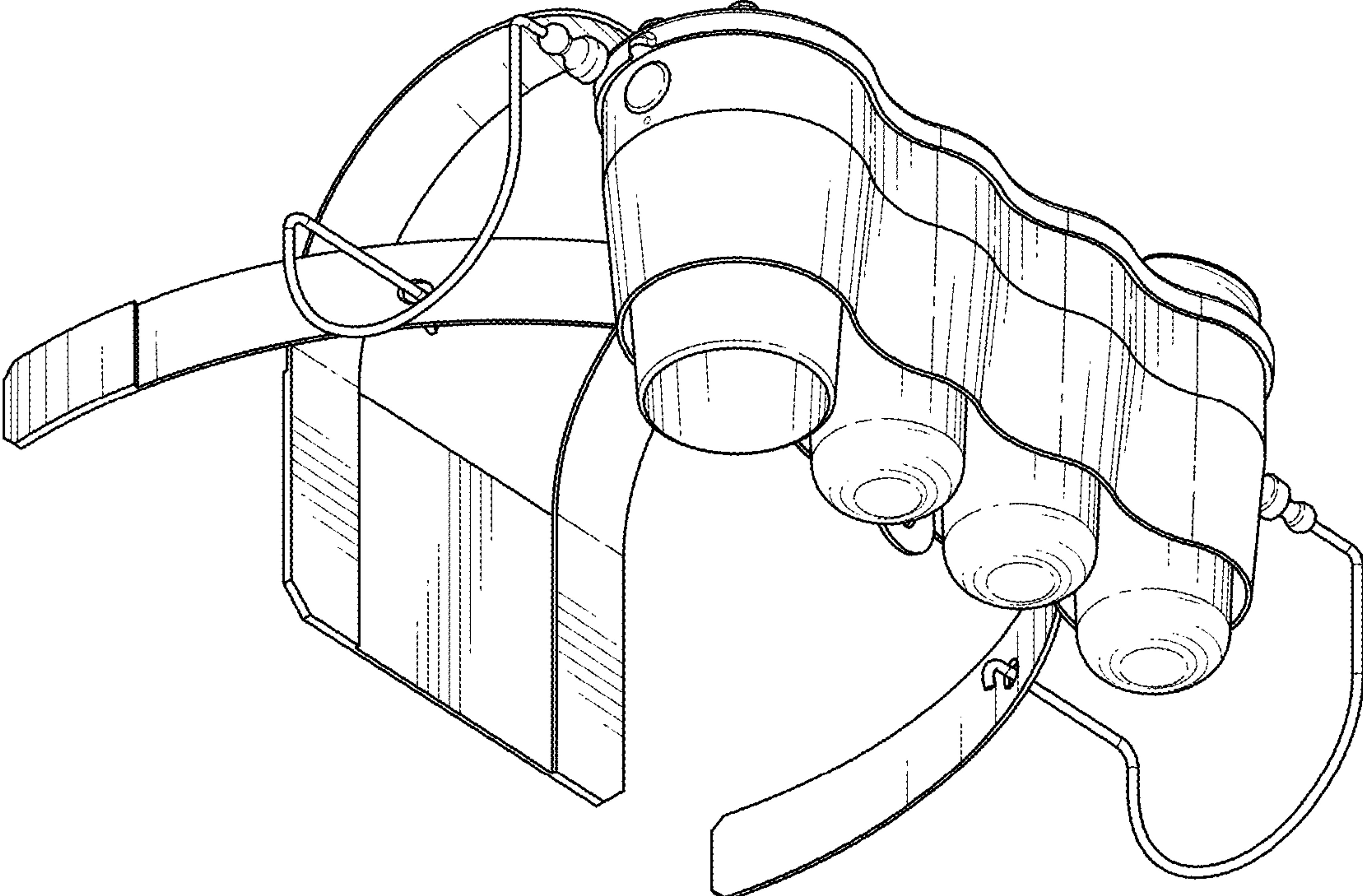


FIG. 4

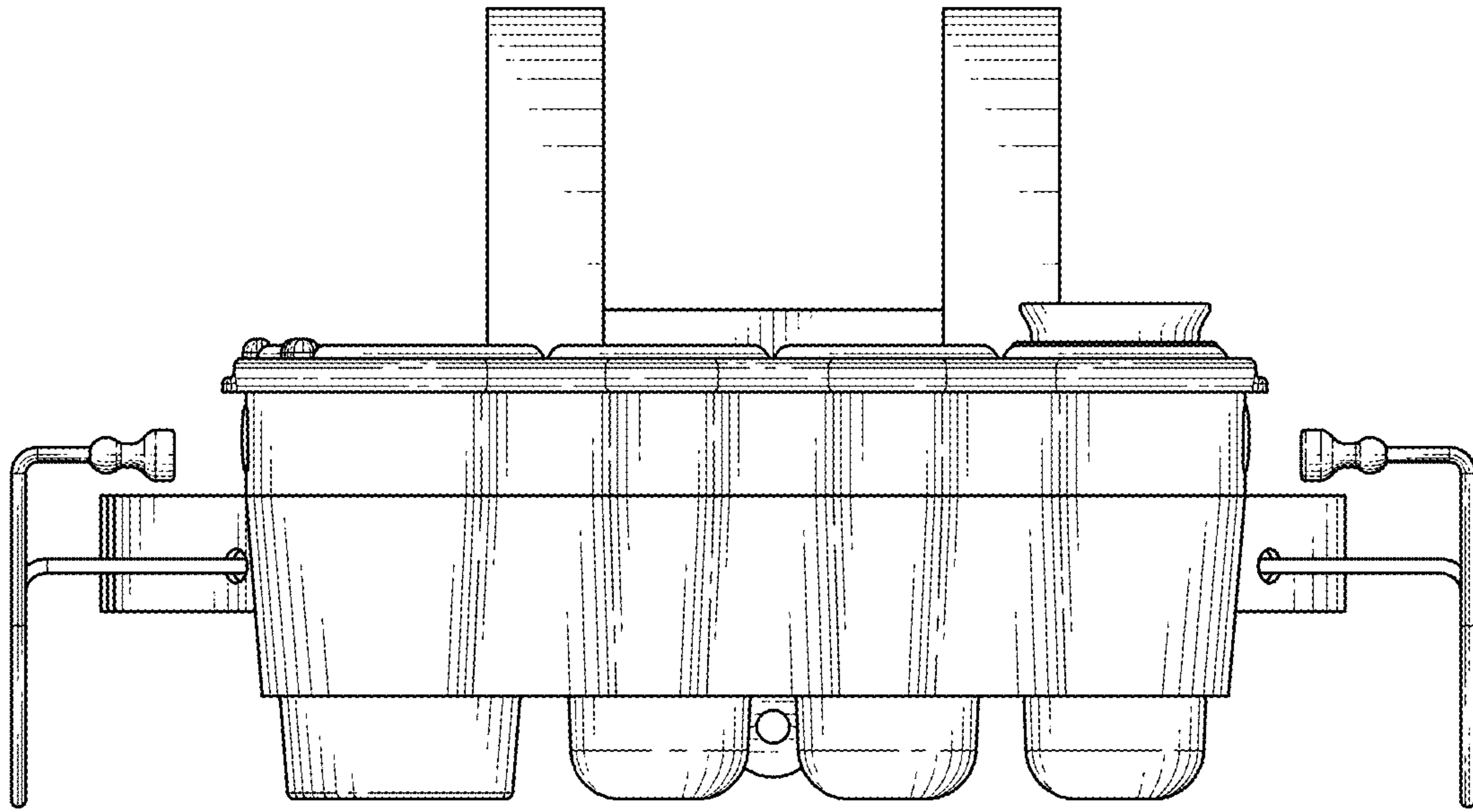


FIG. 5

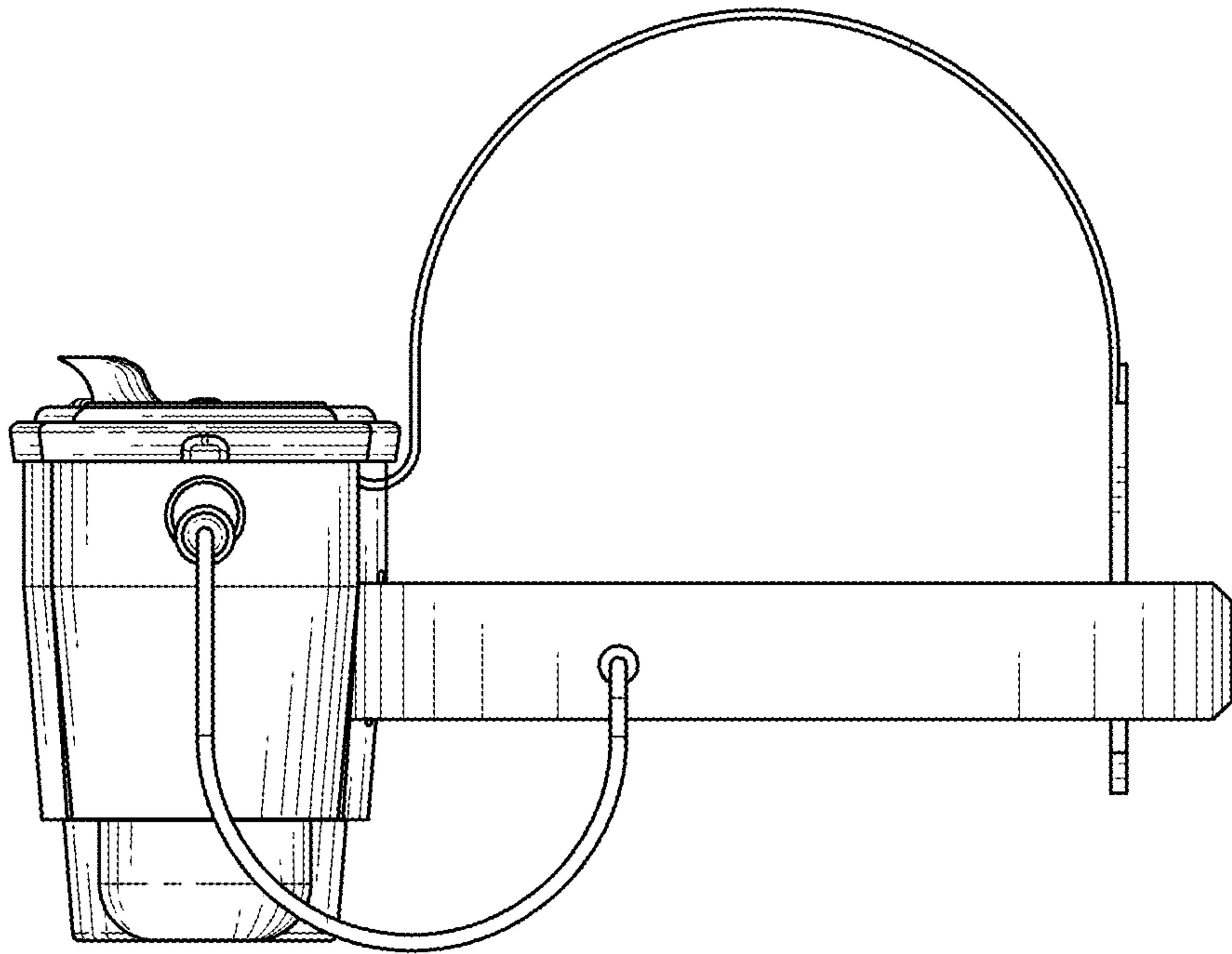


FIG. 6

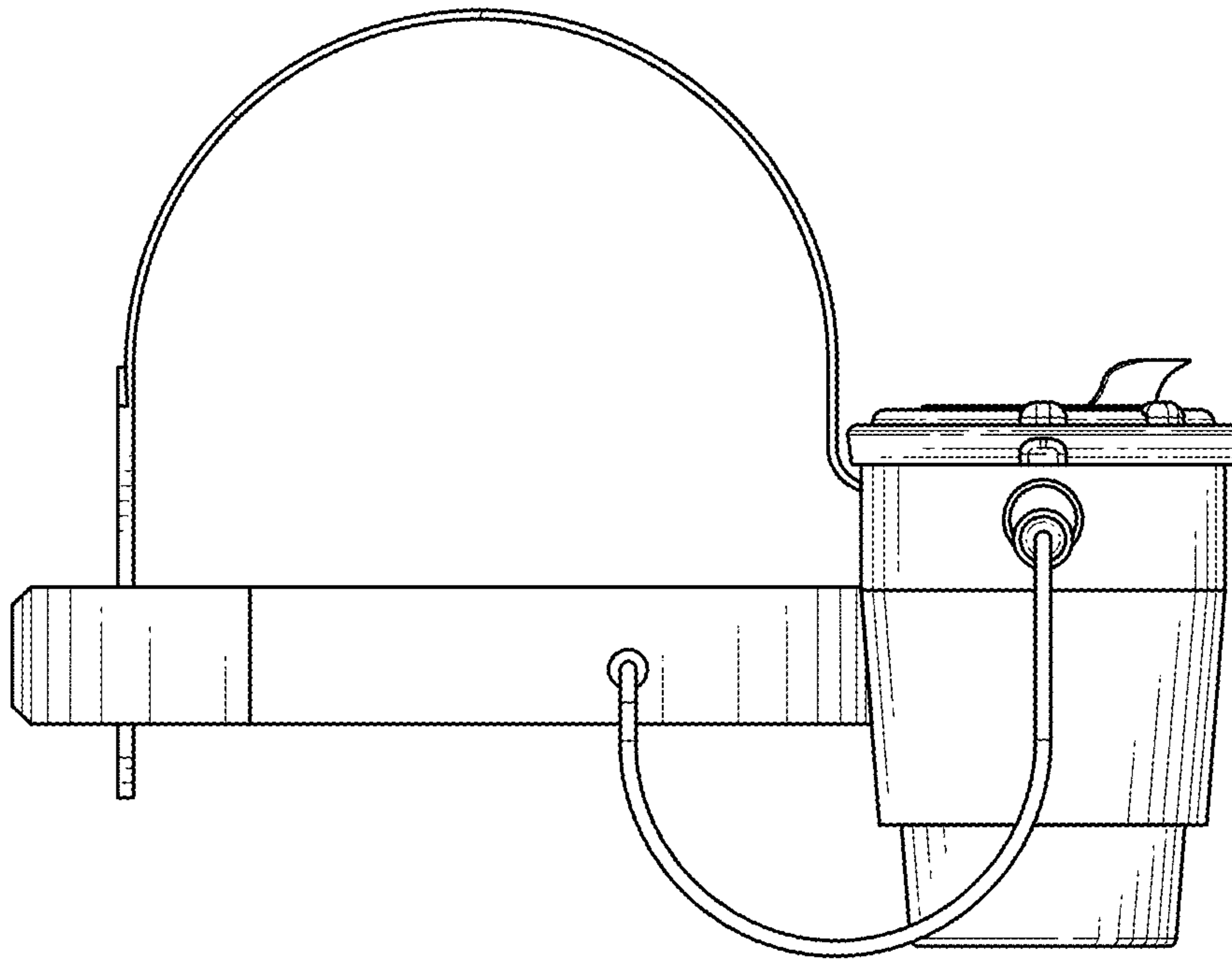


FIG. 7

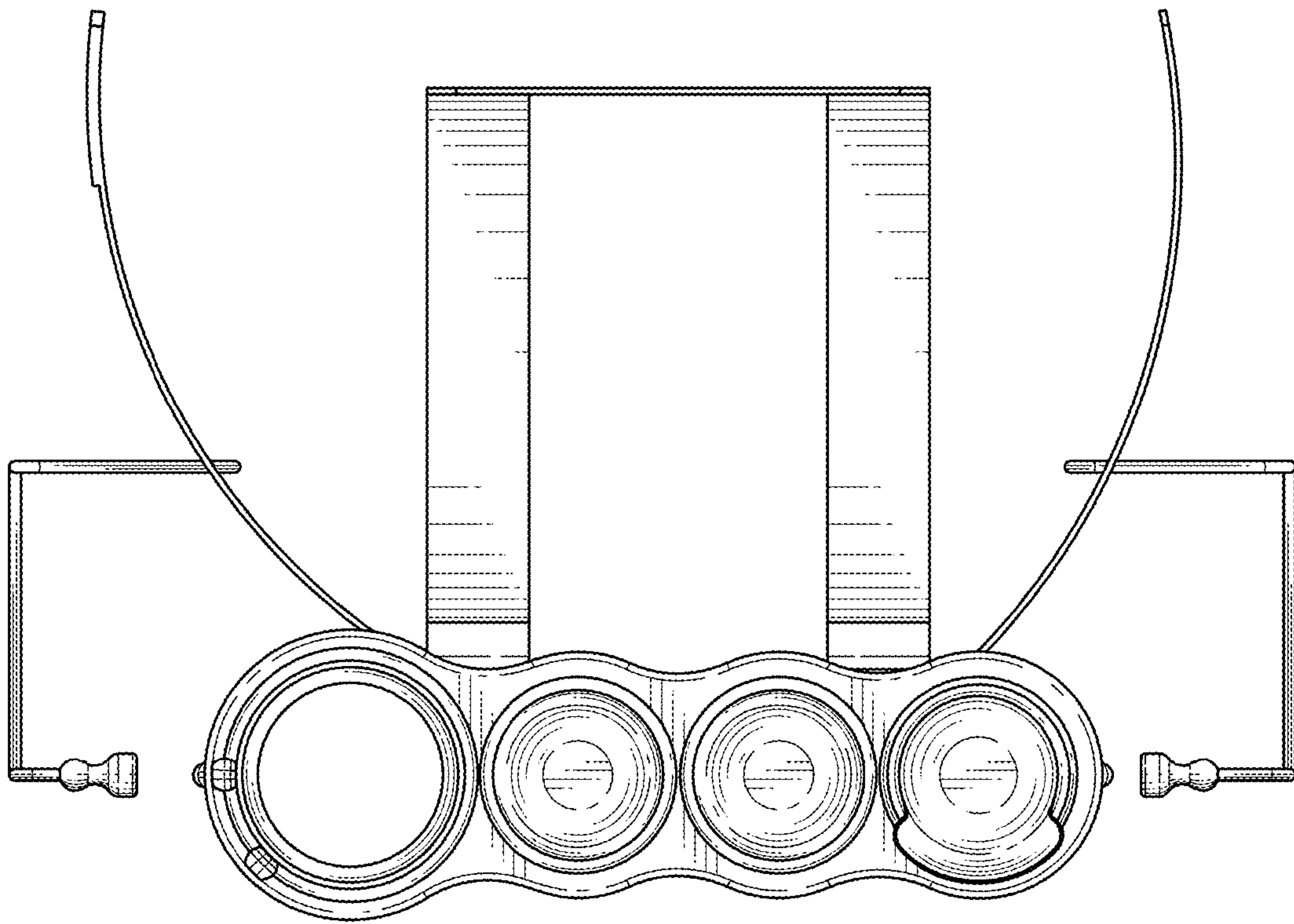


FIG. 8

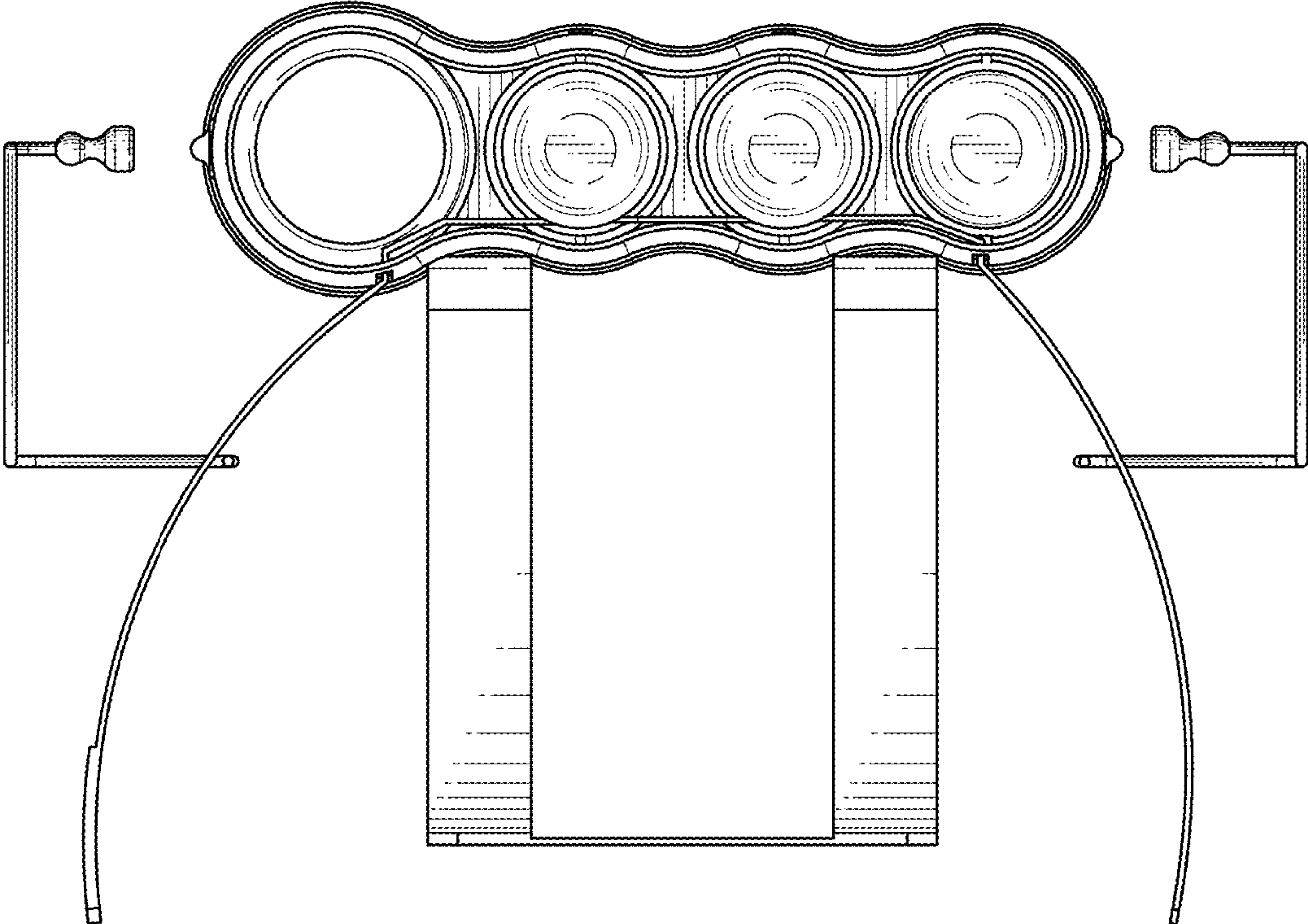


FIG. 9

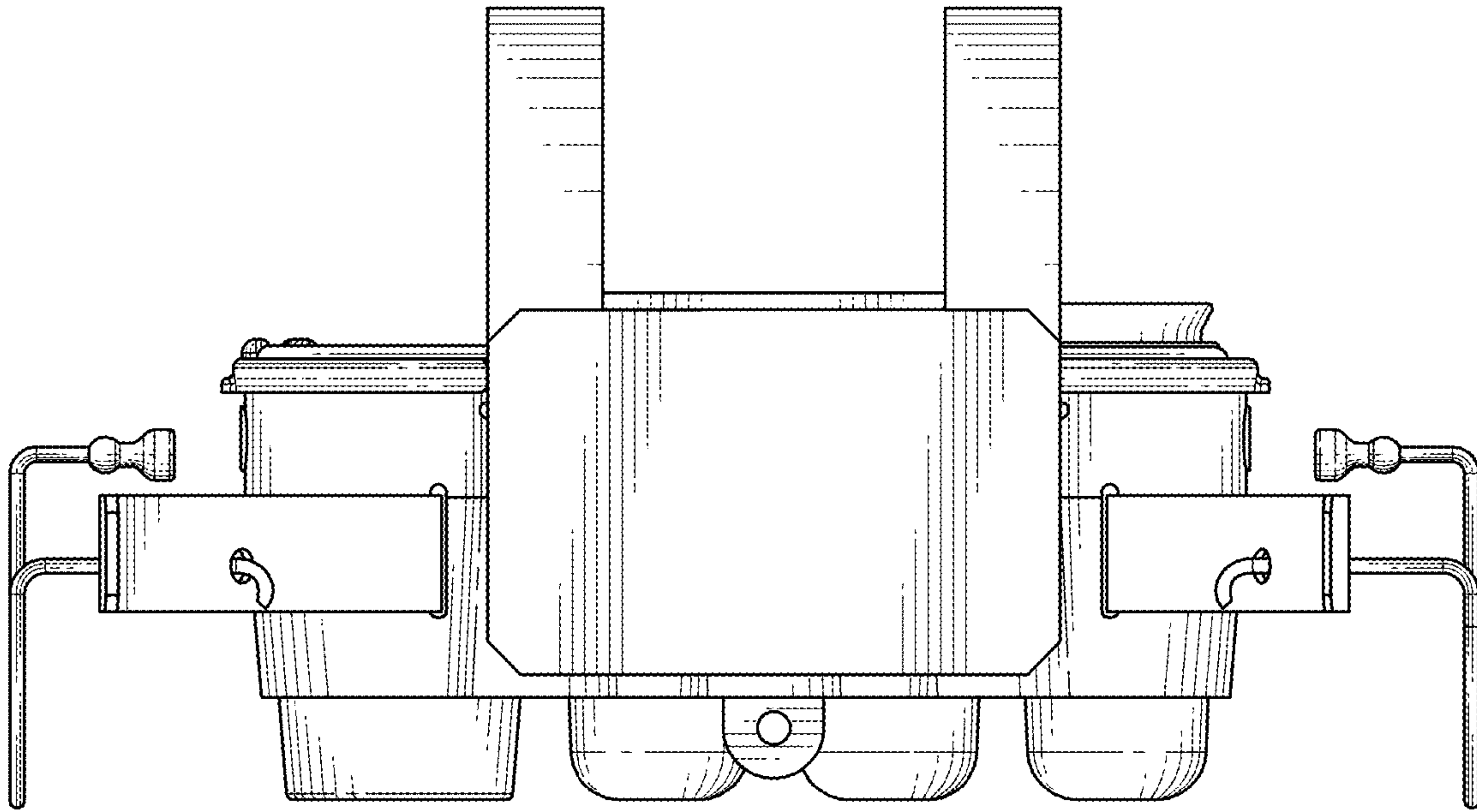


FIG. 10