



US00D768933S

(12) **United States Design Patent** (10) **Patent No.:** **US D768,933 S**  
**Green** (45) **Date of Patent:** **\*\* Oct. 11, 2016**

(54) **HAIR PRODUCT ORGANIZER**  
(71) Applicant: **Lizina Green**, Pawleys Island, SC (US)  
(72) Inventor: **Lizina Green**, Pawleys Island, SC (US)  
(\*\*) Term: **14 Years**  
(21) Appl. No.: **29/508,594**  
(22) Filed: **Nov. 7, 2014**  
(51) **LOC (10) Cl.** ..... **28-03**  
(52) **U.S. Cl.**  
USPC ..... **D28/73; D28/38**  
(58) **Field of Classification Search**  
USPC ..... D28/17, 18, 9, 56, 57, 62, 73, 99, 76,  
D28/38; D6/567, 566, 528, 531, 527, 681.3,  
D6/682.2, 682.5, 682.6, 672, 675, 677;  
D8/373, 366, 71, 356, 376, 38; D19/77  
CPC ..... A45D 1/00; A45D 19/08; A45D 44/02;  
A45D 44/04; A45D 20/00; A45D 20/12;  
A45D 20/16; A45D 2020/126  
See application file for complete search history.

D582,176 S \* 12/2008 Hardy ..... D6/672  
D584,857 S \* 1/2009 Kirschenmann ..... D28/73  
D621,638 S \* 8/2010 Meech ..... D28/73  
D701,998 S \* 4/2014 Brown ..... D28/73  
D702,887 S \* 4/2014 Petruccelli ..... D28/38  
D703,383 S \* 4/2014 Petruccelli ..... D28/38  
D734,541 S \* 7/2015 Petruccelli ..... D28/17

\* cited by examiner

*Primary Examiner* — Jennifer Rivard  
*Assistant Examiner* — April Rivas  
(74) *Attorney, Agent, or Firm* — Jason S. Smith

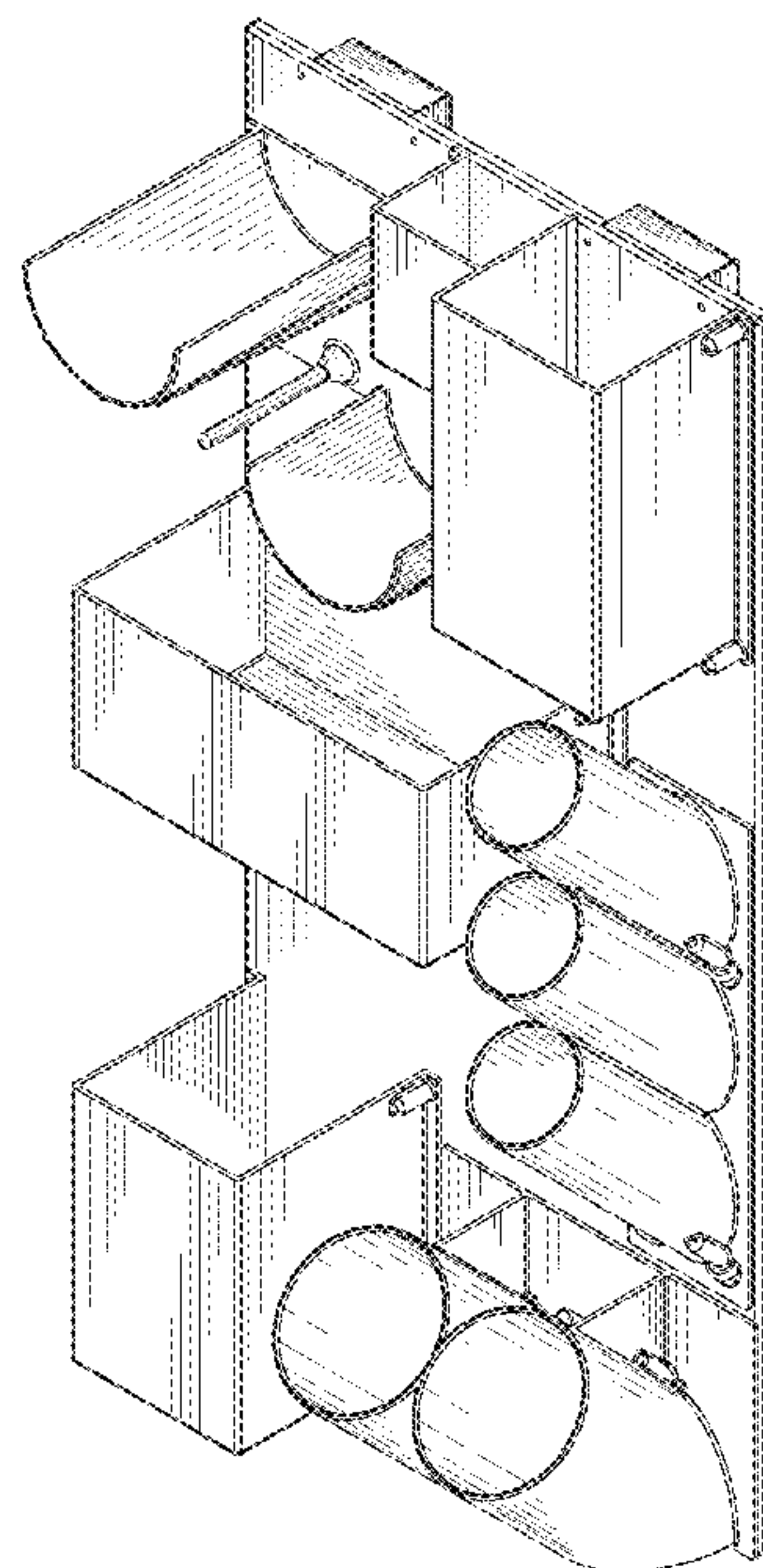
(57) **CLAIM**  
The ornamental design for a hair product organizer, as shown.

**DESCRIPTION**

FIG. 1 is a front right perspective view of the hair product organizer showing my new design;  
FIG. 2 is a front left perspective view of the hair product organizer showing my new design;  
FIG. 3 is a front elevation view of the hair product organizer showing my new design;  
FIG. 4 is a rear elevation view of the hair product organizer showing my new design;  
FIG. 5 is a rear left perspective view of the hair product organizer showing my new design;  
FIG. 6 is a rear right perspective view of the hair product organizer showing my new design;  
FIG. 7 is a right side elevation view of the hair product organizer showing my new design;  
FIG. 8 is a left side elevation view of the hair product organizer showing my new design; and,  
FIG. 9 is a bottom plan view of the hair product organizer showing my new design.

**1 Claim, 8 Drawing Sheets**

(56) **References Cited**  
U.S. PATENT DOCUMENTS  
D286,834 S \* 11/1986 Wilken ..... D28/73  
D342,585 S \* 12/1993 Fischbach ..... D28/38  
D358,953 S \* 6/1995 Barnard ..... D6/683.1  
D374,312 S \* 10/1996 Edgar ..... D28/73  
5,727,701 A \* 3/1998 Rhoades ..... A45D 1/00  
211/70.6  
D400,037 S \* 10/1998 Bartholow ..... D6/566  
D469,926 S \* 2/2003 Petruccelli ..... D28/73  
D487,170 S \* 2/2004 Petruccelli ..... D28/73  
D525,657 S \* 7/2006 Warren, III ..... D19/77  
D552,796 S \* 10/2007 Petruccelli ..... D28/18



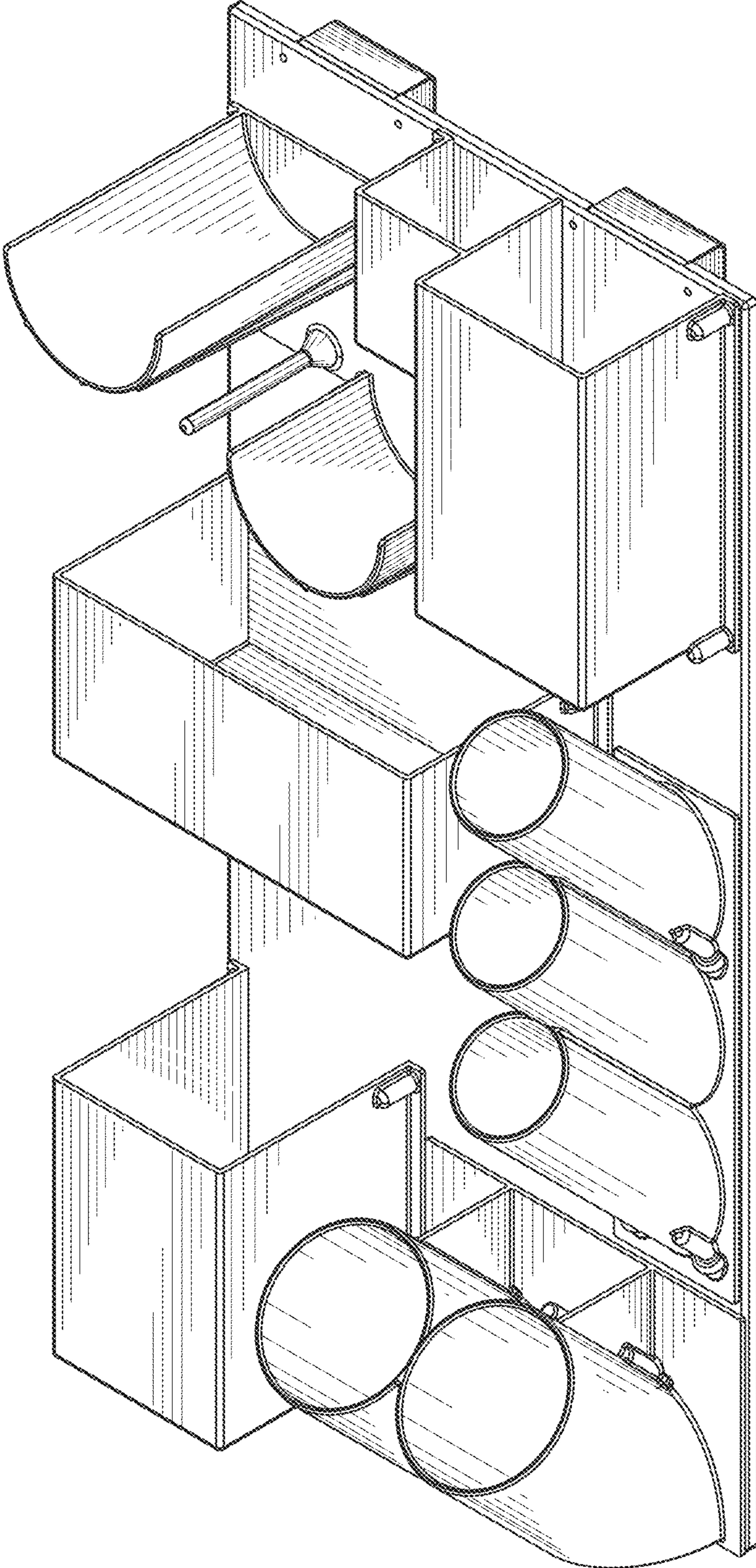


FIG. 1



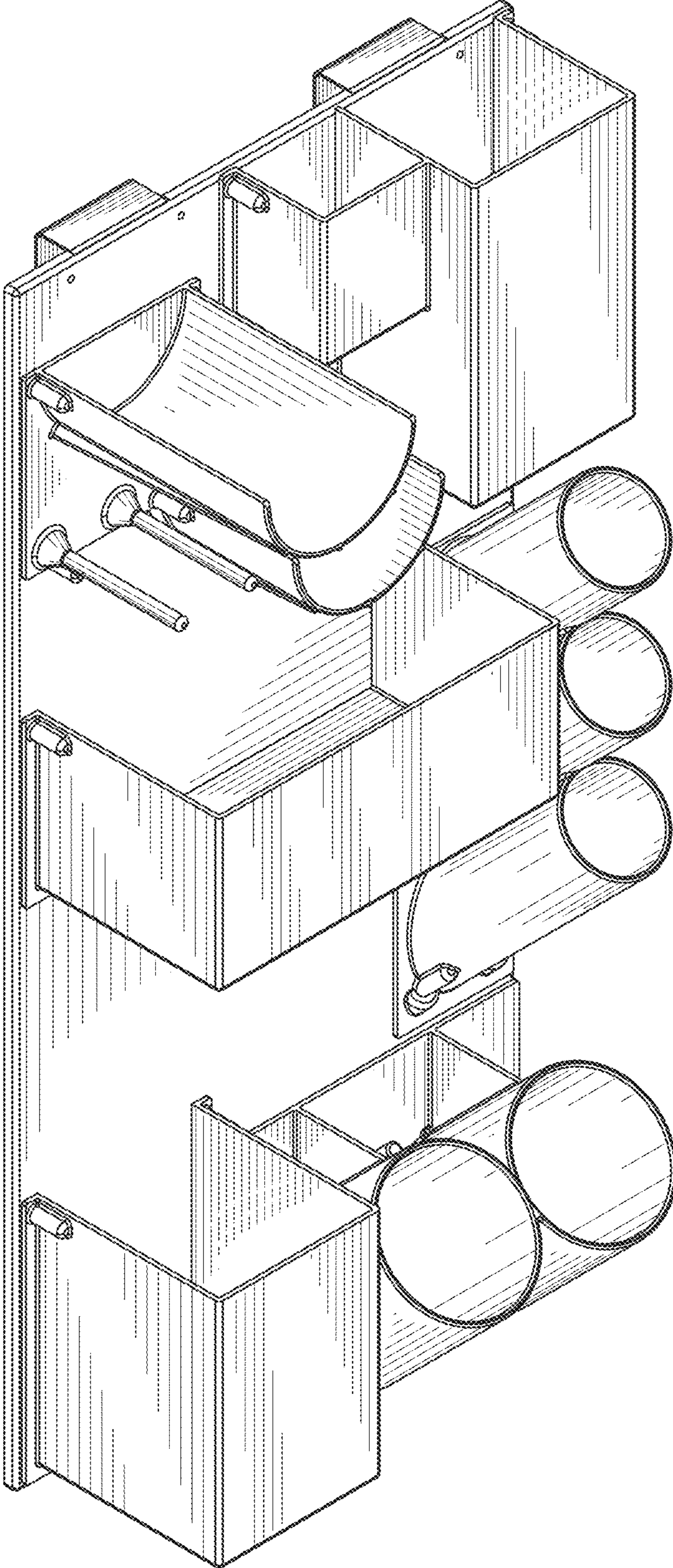


FIG. 2

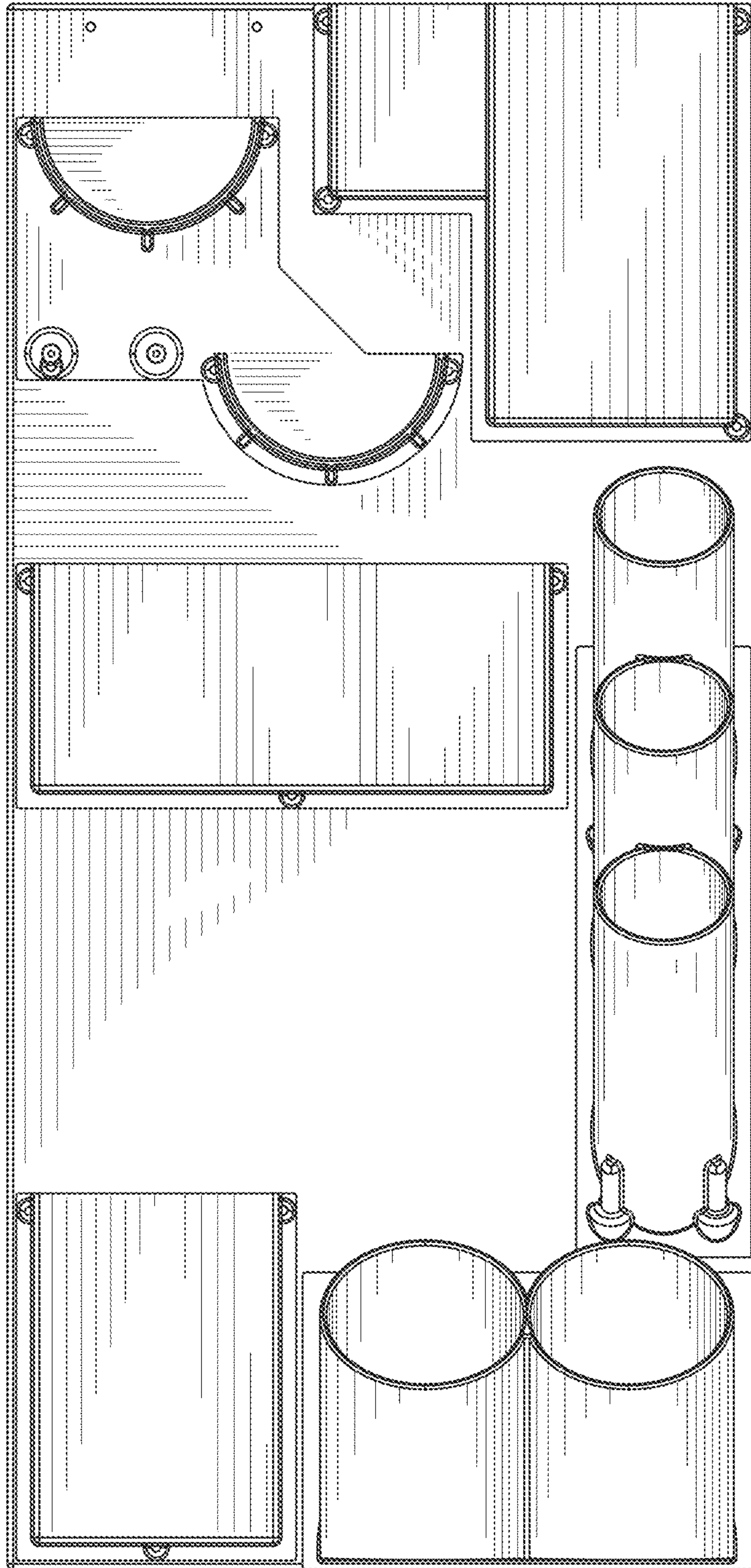


FIG. 3



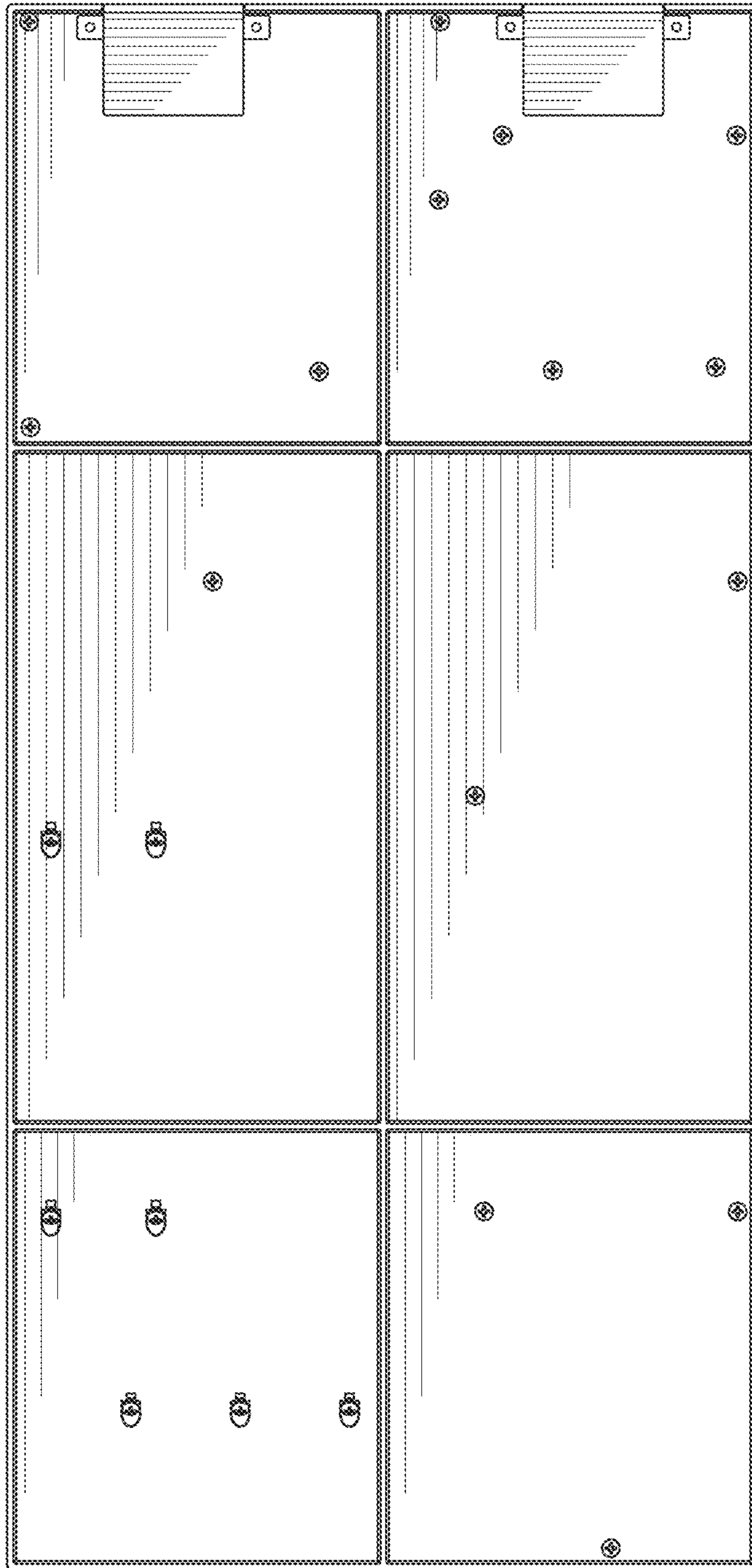


FIG. 4

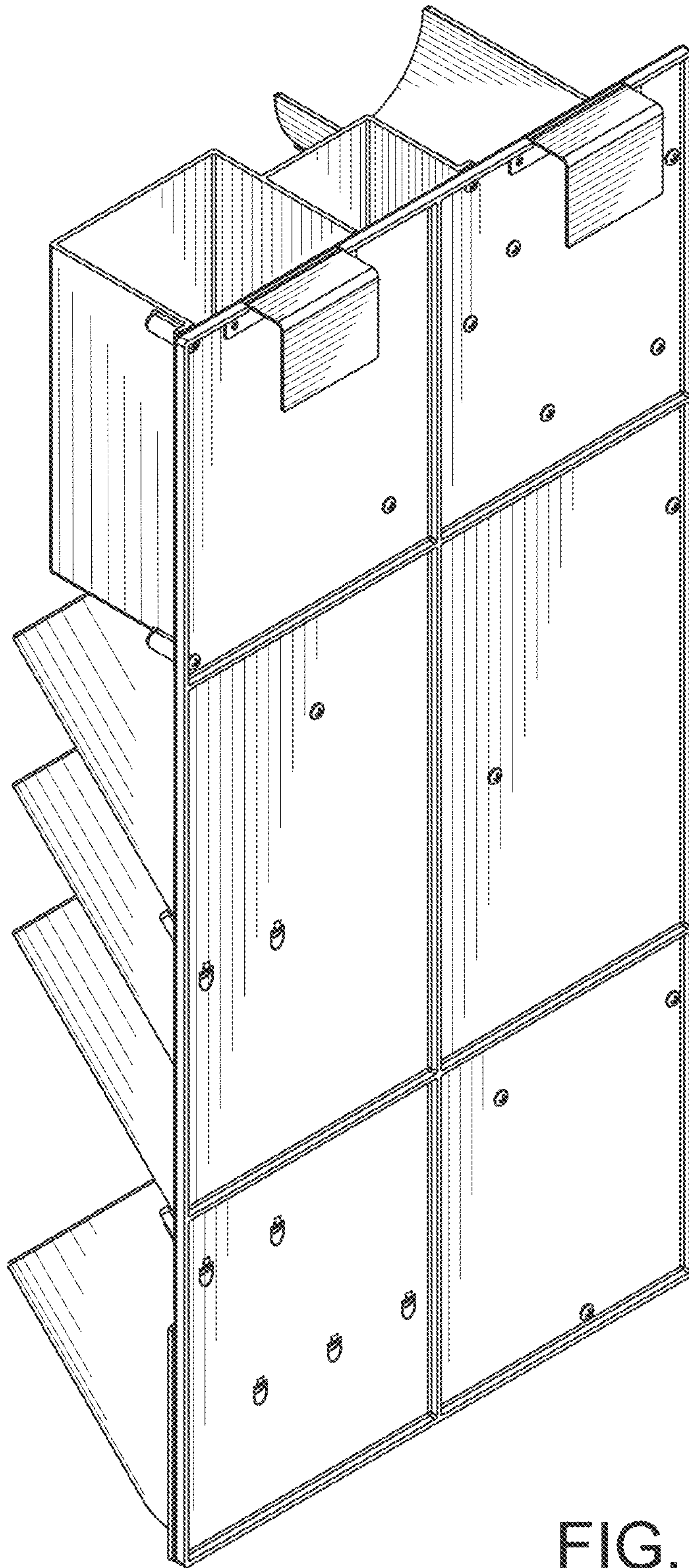


FIG. 5



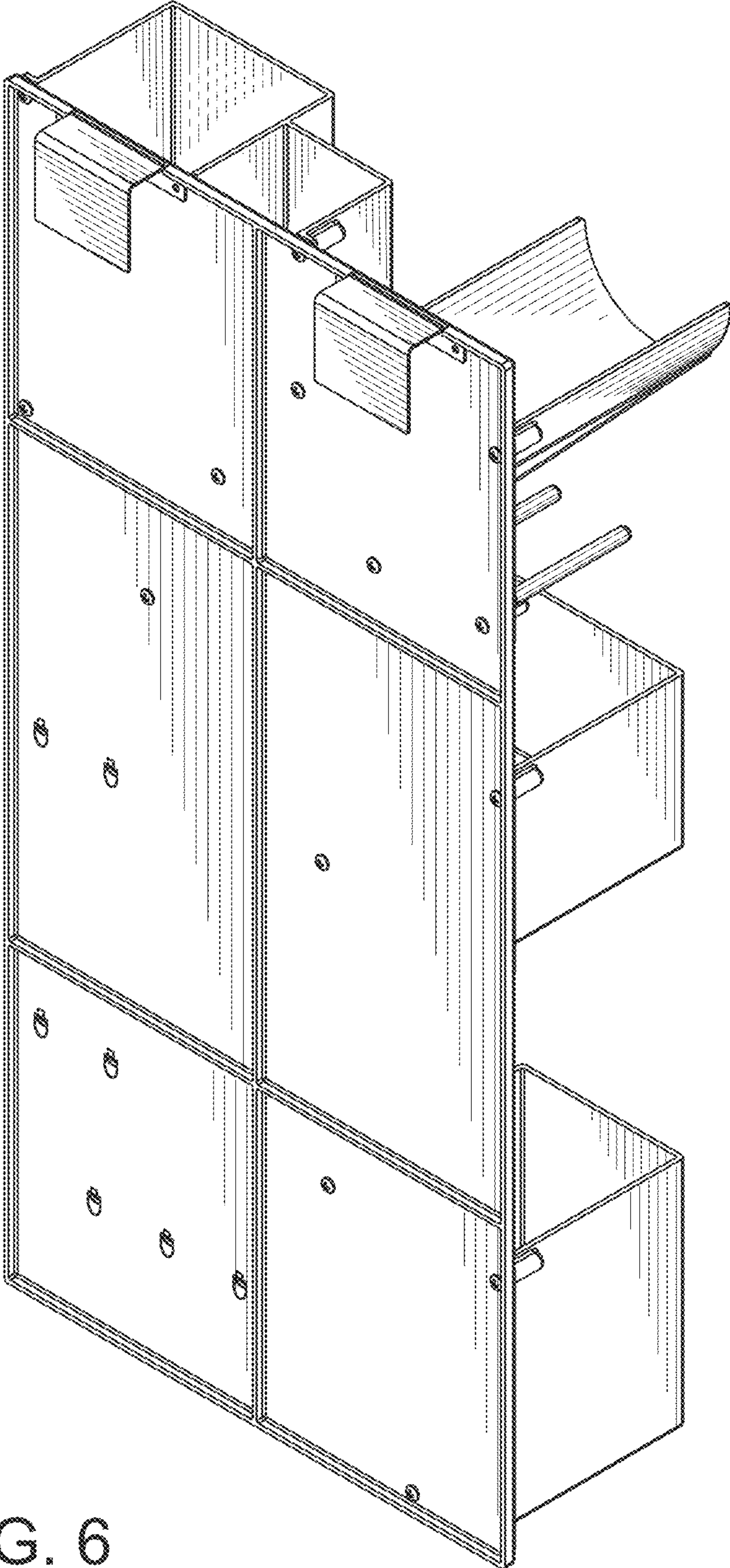


FIG. 6

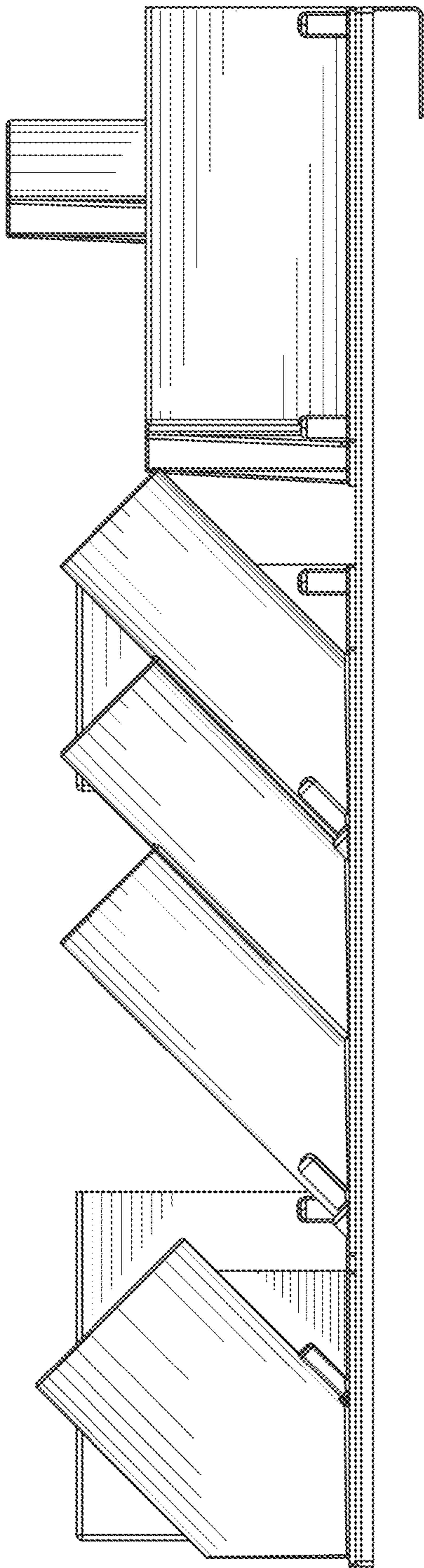


FIG. 7

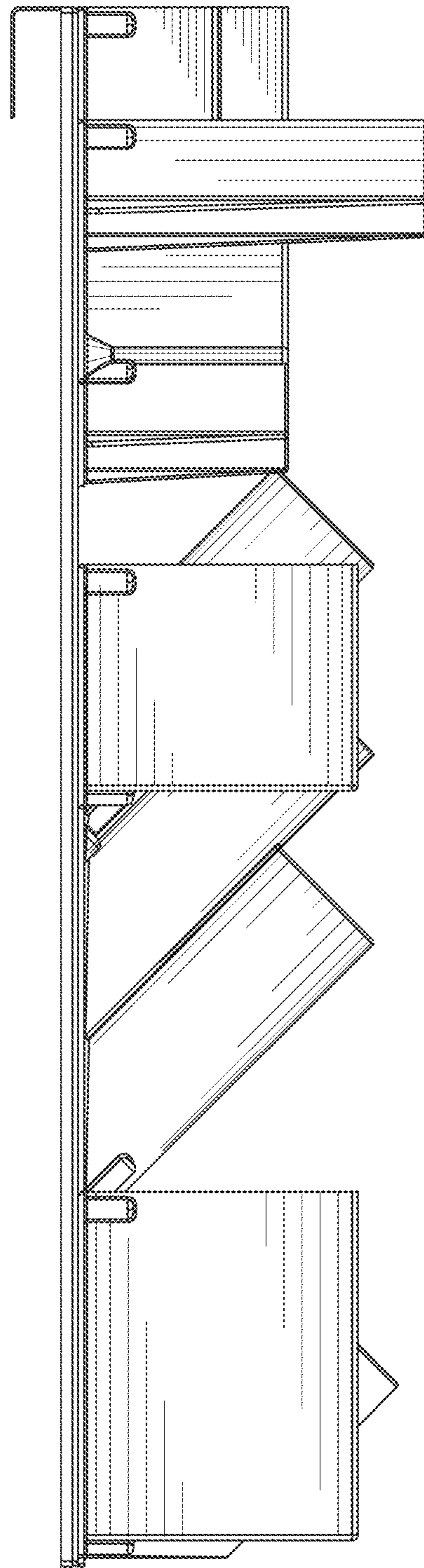


FIG. 8



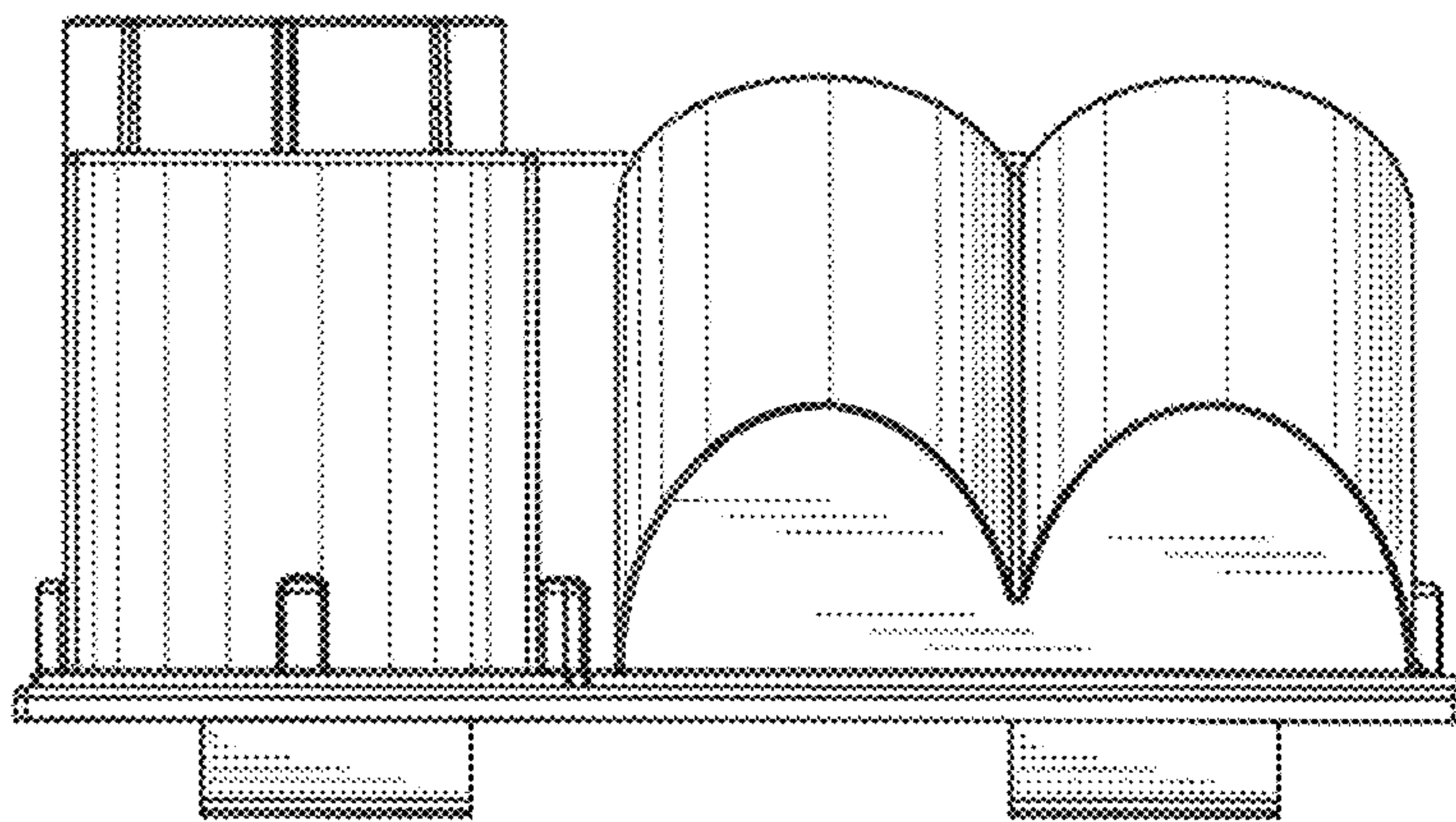


FIG. 9