



US00D768928S

(12) **United States Design Patent**
Salagnac

(10) **Patent No.:** **US D768,928 S**
(45) **Date of Patent:** **** Oct. 11, 2016**

(54) **WATER TANK FOR HAIR STRAIGHTENING APPARATUS**

(71) Applicant: **CALOR**, Ecully (FR)

(72) Inventor: **Marc Salagnac**, Ecully (FR)

(73) Assignee: **CALOR**, Ecully (FR)

(**) Term: **15 Years**

(21) Appl. No.: **29/529,600**

(22) Filed: **Jun. 9, 2015**

(30) **Foreign Application Priority Data**

Dec. 9, 2014 (EM) 002593491-0002

(51) **LOC (10) Cl.** **28-03**

(52) **U.S. Cl.**
USPC **D28/38**

(58) **Field of Classification Search**
USPC D28/35, 37-38, 10, 73
CPC A45D 1/00-1/28; A45D 2/00-2/001;
A45D 2002/006; A45D 2002/007; A45D
2/12-2/125; A45D 2/04; A45D 2/06; A45D
4/00-4/18; A45D 6/00-6/20; A45D
20/48-20/525

See application file for complete search history.

(56) **References Cited**

U.S. PATENT DOCUMENTS

D667,995 S * 9/2012 Grienay D28/38
D680,688 S * 4/2013 Grienay D28/38
9,095,197 B2 * 8/2015 Rizzuto A45D 1/20
2007/0283978 A1 * 12/2007 Montagnino A45D 1/04
132/211

2012/0111355 A1* 5/2012 Vacheron A45D 1/04
132/228
2012/0111356 A1* 5/2012 Vacheron A45D 1/04
132/228
2014/0145045 A1* 5/2014 Rizzuto A45D 1/20
248/176.2

* cited by examiner

Primary Examiner — Jennifer Rivard

(74) *Attorney, Agent, or Firm* — Loeb & Loeb LLP

(57) **CLAIM**

The ornamental design for a water tank for hair straightening apparatus, as shown and described.

DESCRIPTION

FIG. 1 is an isometric view of an embodiment of a water tank for hair straightening apparatus showing my new design.

FIG. 2 is a right side elevational view of the water tank for hair straightening apparatus of FIG. 1.

FIG. 3 is a left side elevational view of the water tank for hair straightening apparatus of FIG. 1.

FIG. 4 is a front elevational view of the water tank for hair straightening apparatus of FIG. 1.

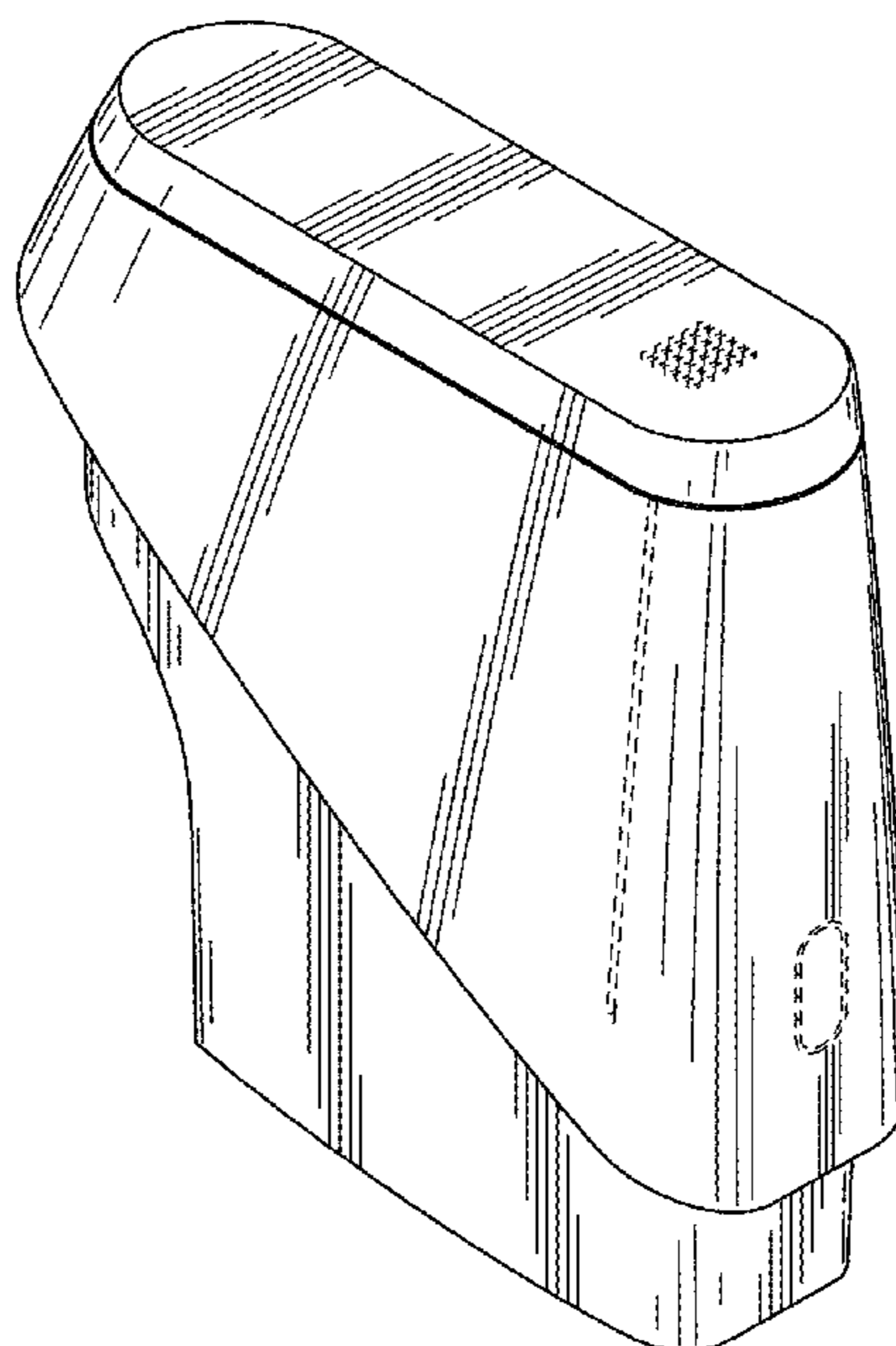
FIG. 5 is a rear elevational view of the water tank for hair straightening apparatus of FIG. 1.

FIG. 6 is a top view of the water tank for hair straightening apparatus of FIG. 1; and,

FIG. 7 is a bottom view of the water tank for hair straightening apparatus of FIG. 1.

The broken lines and the unshaded areas within the broken lines illustrate portions of the article and form no part of the claimed design.

1 Claim, 7 Drawing Sheets



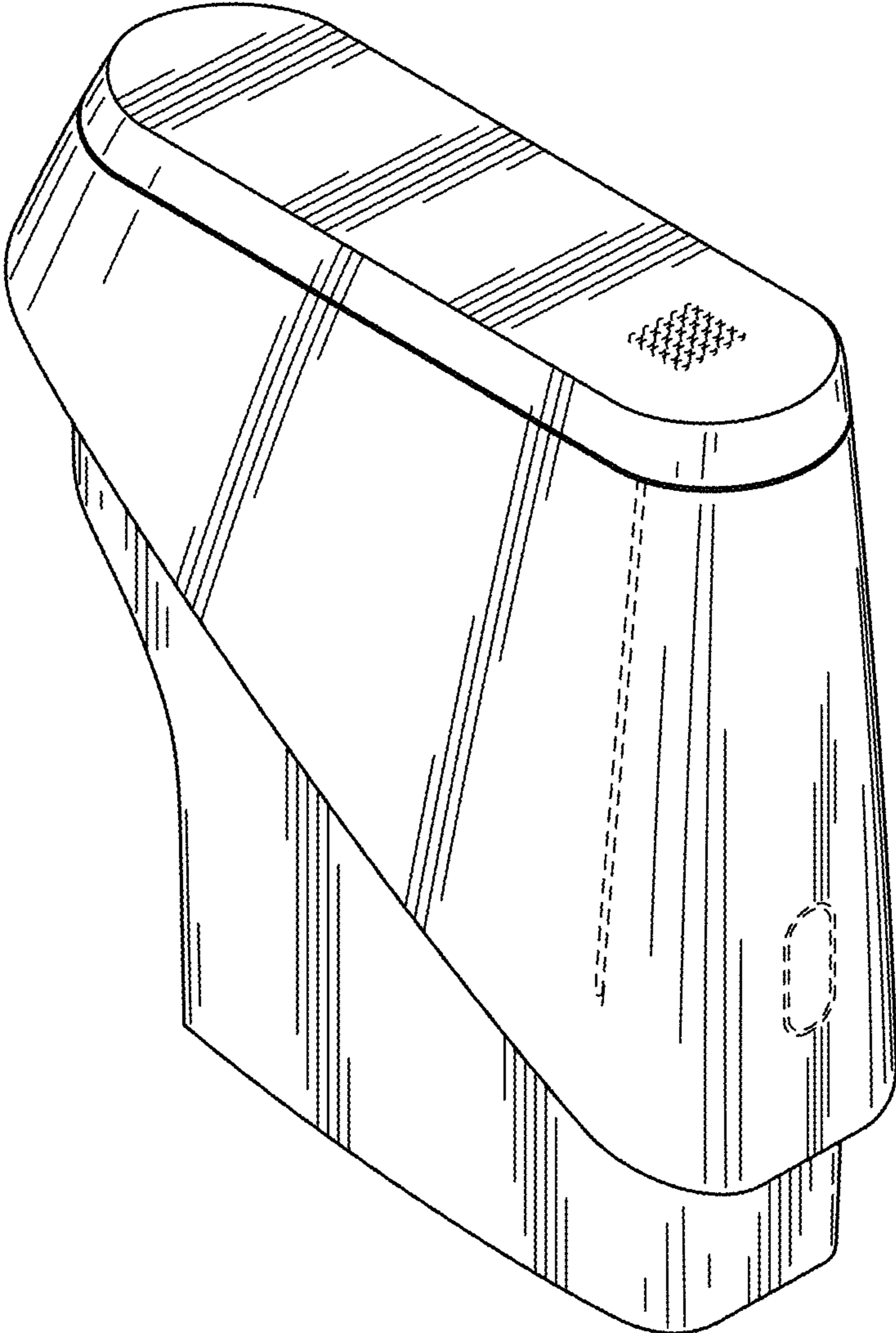


FIG. 1

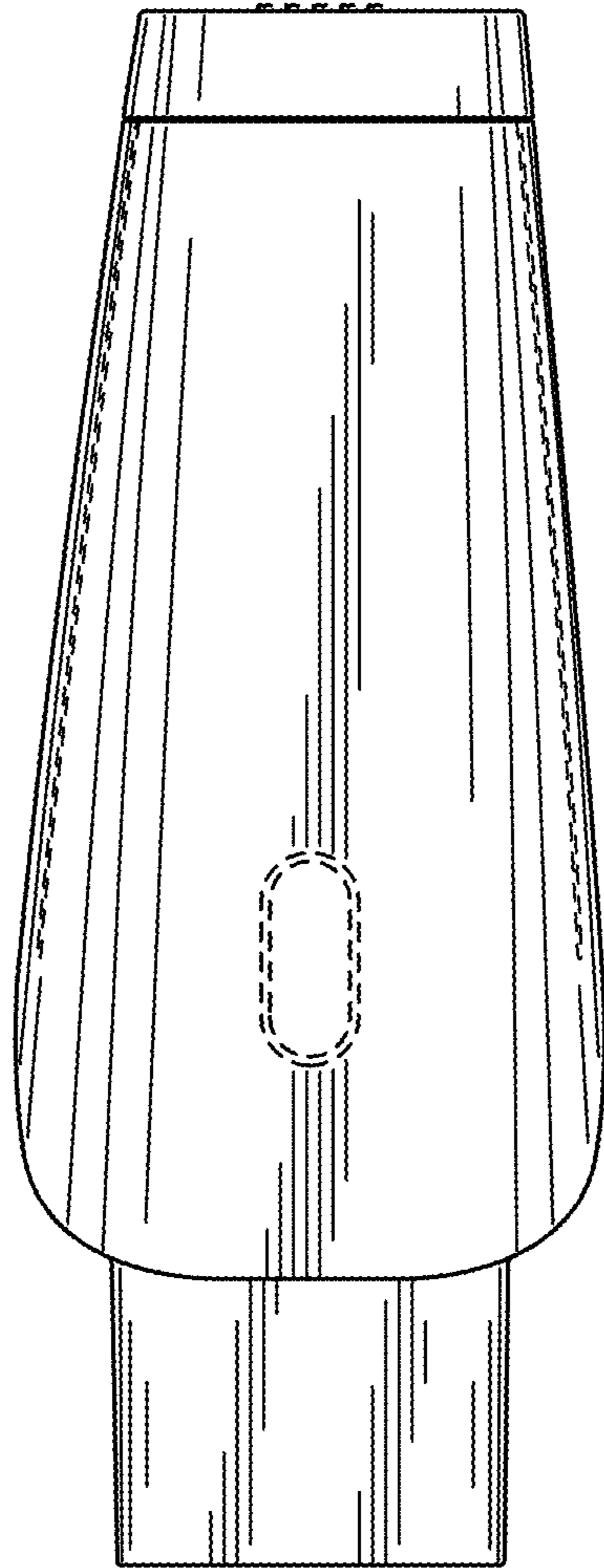


FIG. 2

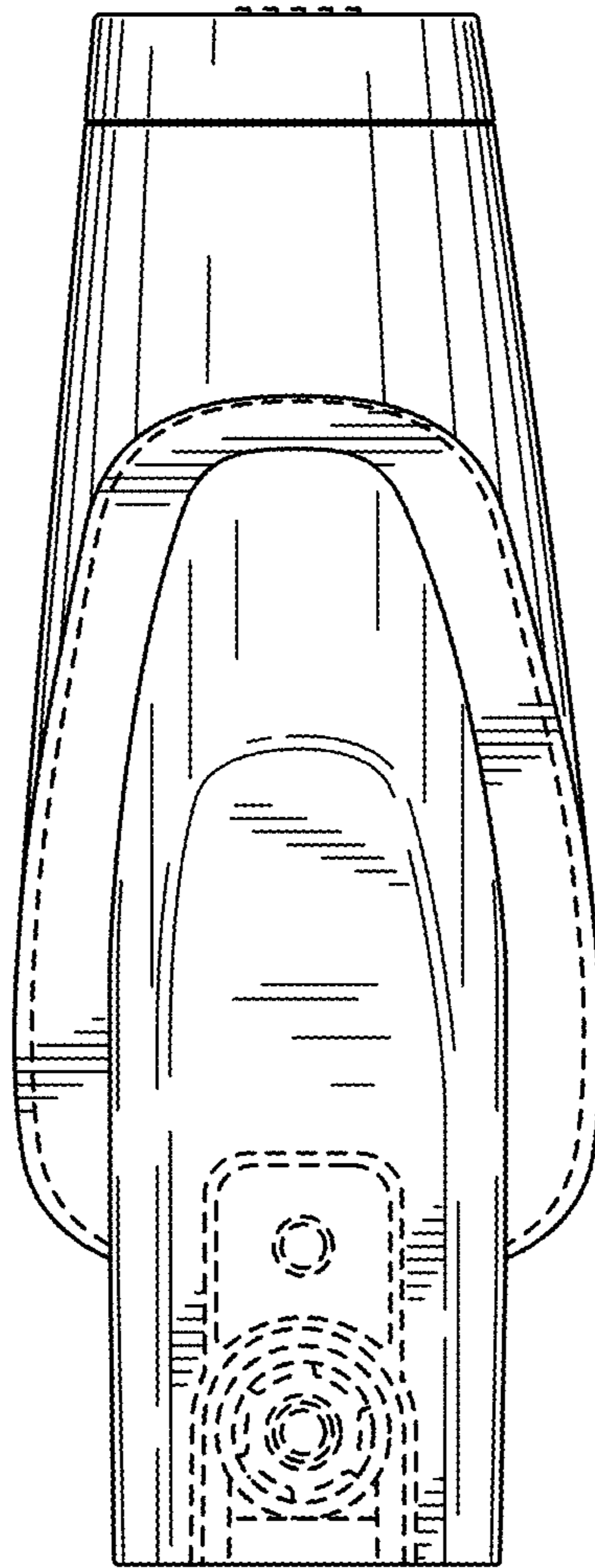


FIG. 3

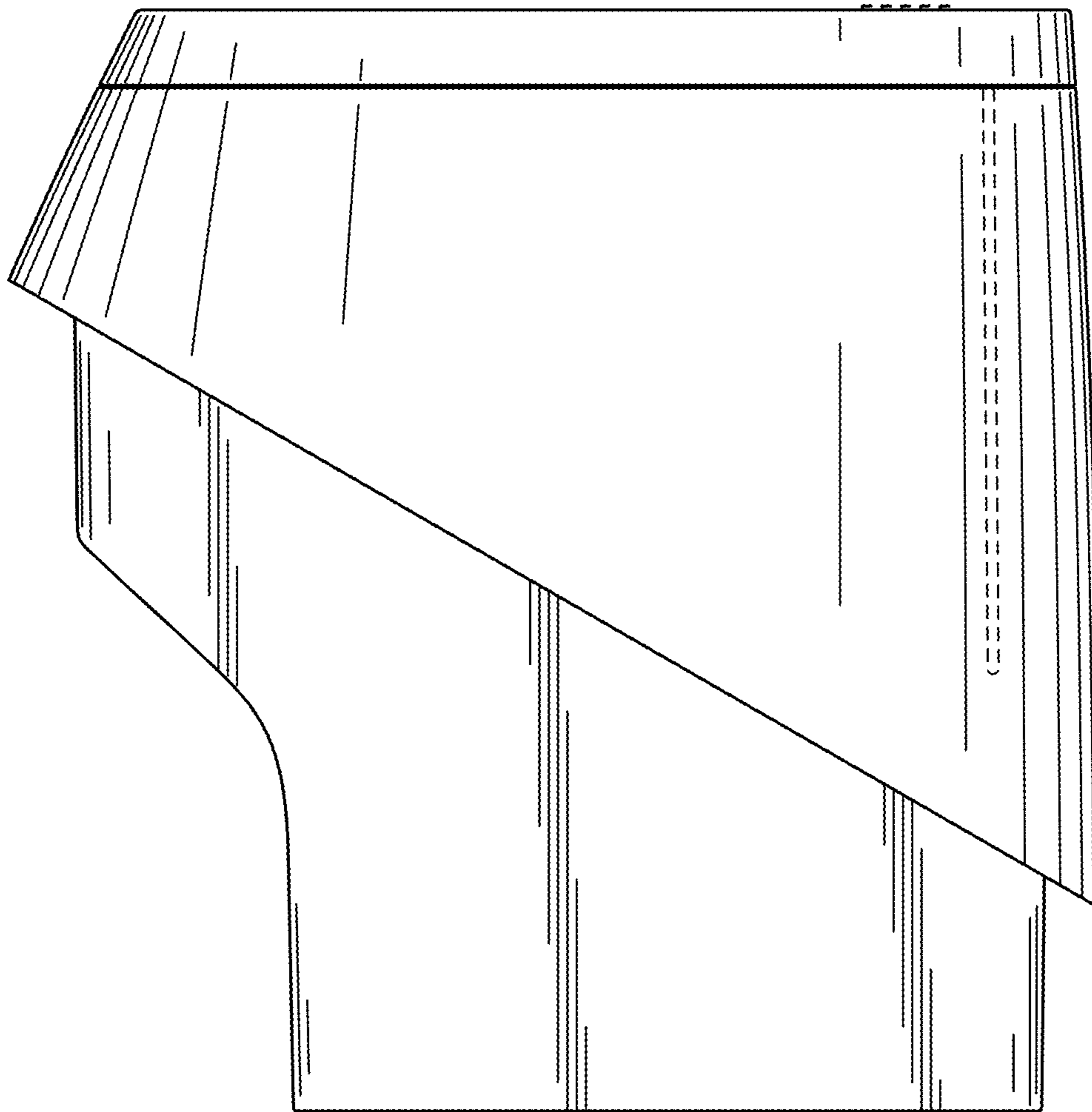


FIG. 4

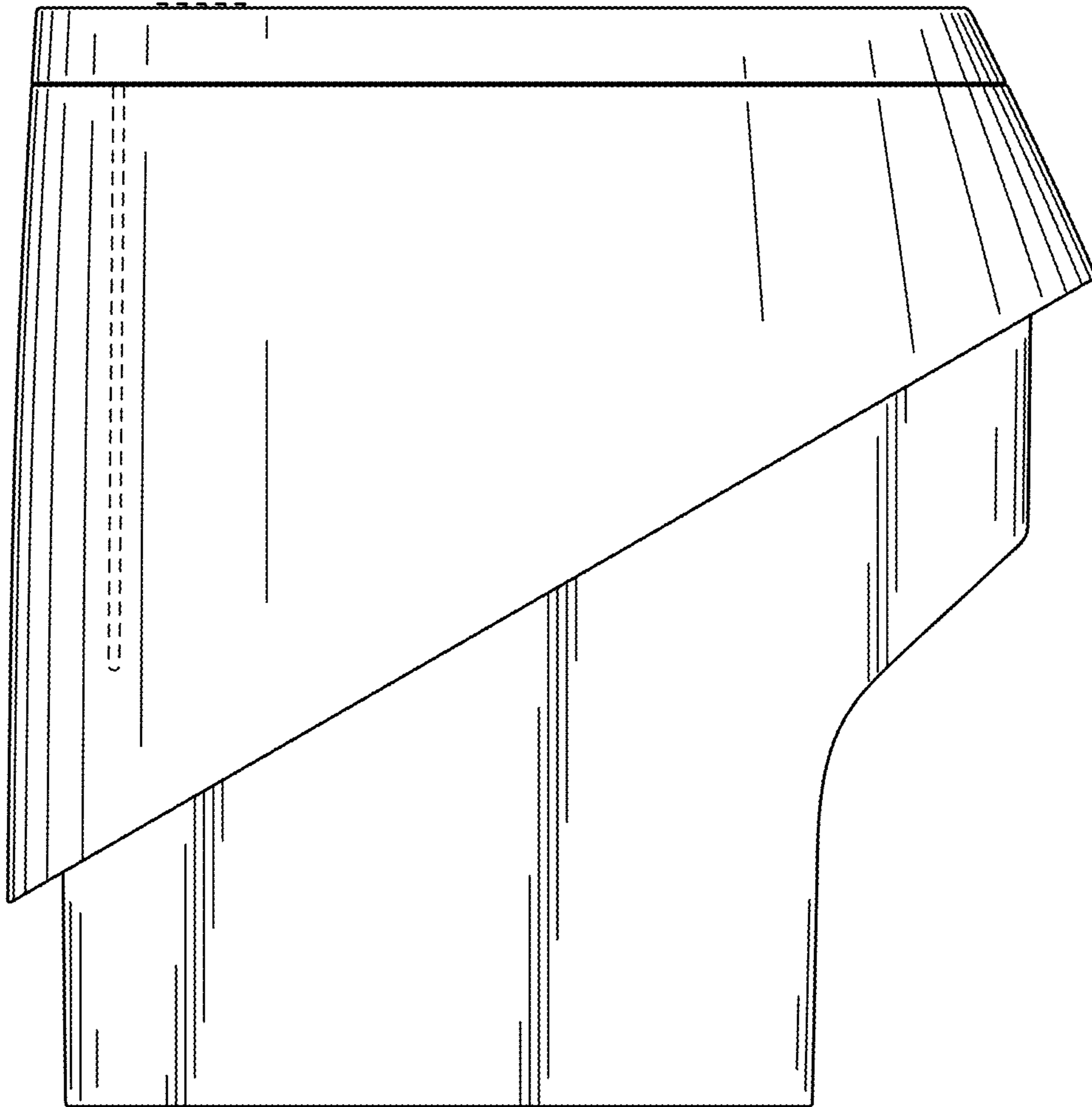


FIG. 5

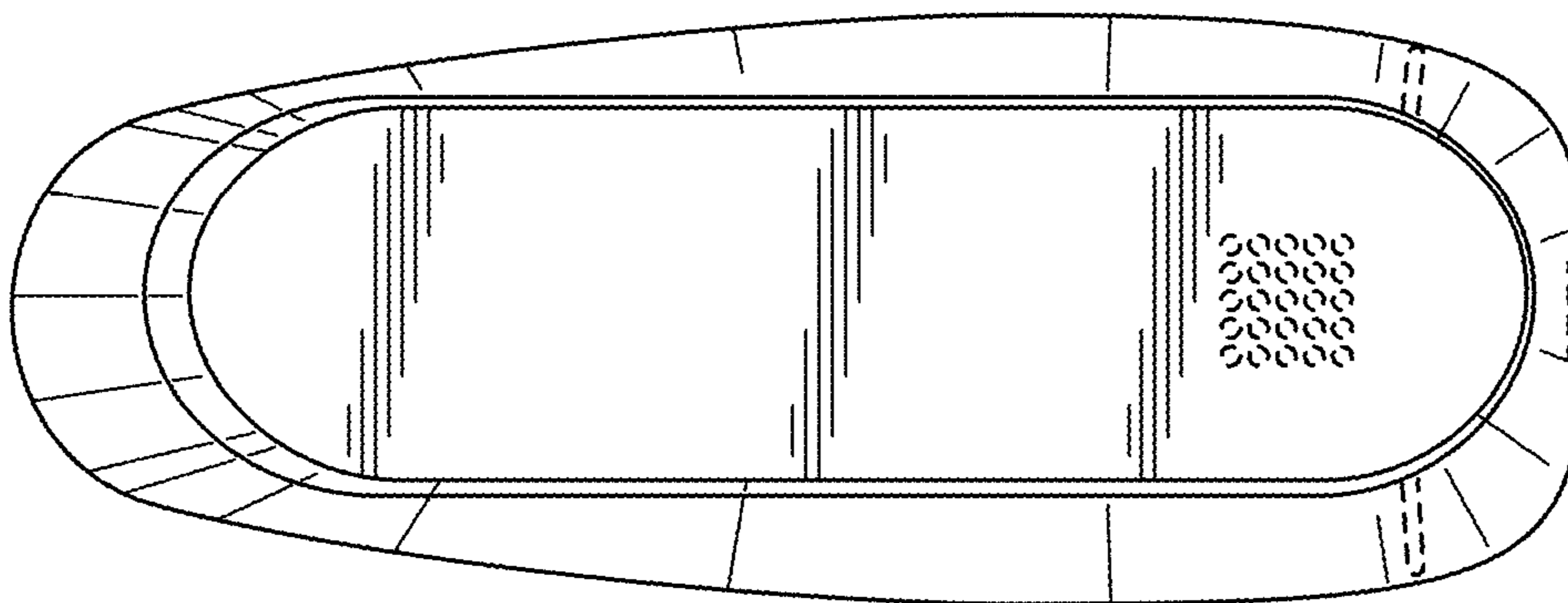


FIG. 6

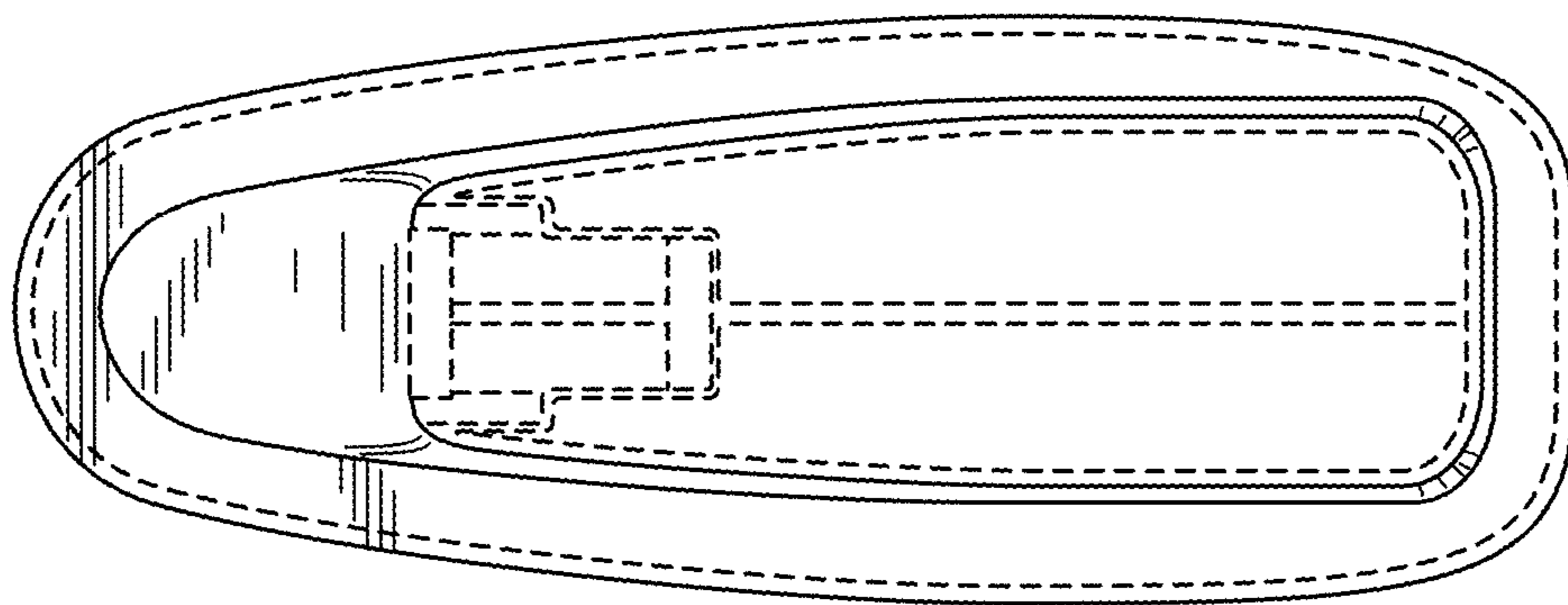


FIG. 7