



US00D768924S

(12) **United States Design Patent**  
**Dietvorst et al.**

(10) **Patent No.:** **US D768,924 S**  
(45) **Date of Patent:** **\*\* Oct. 11, 2016**

(54) **CAPSULE CONTAINING WASHING PRODUCTS**

(71) Applicant: **Reckitt Benckiser (Brands) Limited**, Slough (GB)

(72) Inventors: **Taco Dietvorst**, Eindhoven (NL);  
**Caroline Rigobert**, Heidelberg (DE);  
**Claudia Schmaelzle**, Heidelberg (DE)

(73) Assignee: **RECKITT BENCKISER (BRANDS) LIMITED**, Slough (GB)

(\*\*) Term: **15 Years**

(21) Appl. No.: **29/542,123**

(22) Filed: **Oct. 11, 2015**

(30) **Foreign Application Priority Data**

Apr. 13, 2015 (EM) ..... 002680306-0011

(51) **LOC (10) Cl.** ..... **28-02**

(52) **U.S. Cl.**  
USPC ..... **D28/8.1**

(58) **Field of Classification Search**  
USPC ..... D28/8.1-8.2, 4; D9/425, 702, 707  
CPC ..... C11D 17/04-17/045; C11D 17/0047-17/0091; C11D 17/0095; C11D 17/00; C11D 17/0004; C11D 17/0008; C11D 17/0017; C11D 17/0021-17/0039  
See application file for complete search history.

(56) **References Cited**

**U.S. PATENT DOCUMENTS**

D442,333 S \* 5/2001 Friesenhahn ..... D28/8.1  
D442,738 S \* 5/2001 Friesenhahn ..... D28/8.1  
D442,739 S \* 5/2001 Friesenhahn ..... D28/8.1  
D445,955 S \* 7/2001 Neergaard ..... D24/101

D451,242 S \* 11/2001 Neergaard ..... D28/8.1  
D452,754 S \* 1/2002 Neergaard ..... D28/8.1  
D452,755 S \* 1/2002 Neergaard ..... D28/8.1  
D452,756 S \* 1/2002 Neergaard ..... D28/8.1  
D452,933 S \* 1/2002 Friesenhahn ..... D28/8.1  
D505,516 S \* 5/2005 McLeish ..... D28/8.1  
D563,598 S \* 3/2008 Wiedemann ..... D28/8.1  
D566,893 S \* 4/2008 McCarthy ..... D28/8.1  
D566,894 S \* 4/2008 Wiedemann ..... D28/8.1  
D652,165 S \* 1/2012 Gordon ..... D28/8.1  
D663,894 S \* 7/2012 Davanzo ..... D28/8.1  
D690,465 S \* 9/2013 Dietvorst ..... D28/8.1  
D690,878 S \* 10/2013 Dietvorst ..... D28/8.1  
D692,180 S \* 10/2013 Dietvorst ..... D28/8.1

\* cited by examiner

*Primary Examiner* — Jennifer Rivard

(74) *Attorney, Agent, or Firm* — Troutman Sanders LLP; Ryan Schneider; Chris Davis

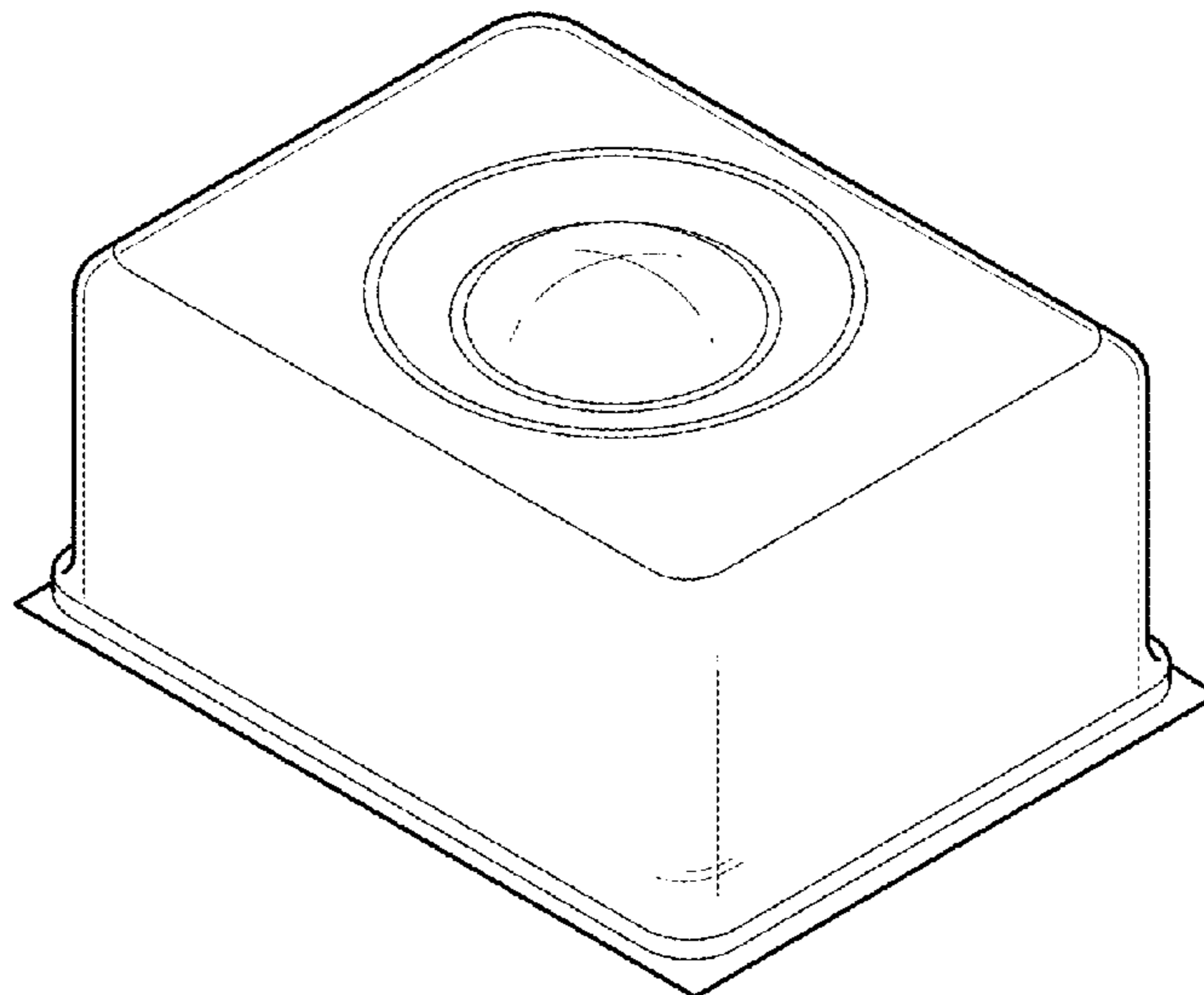
(57) **CLAIM**

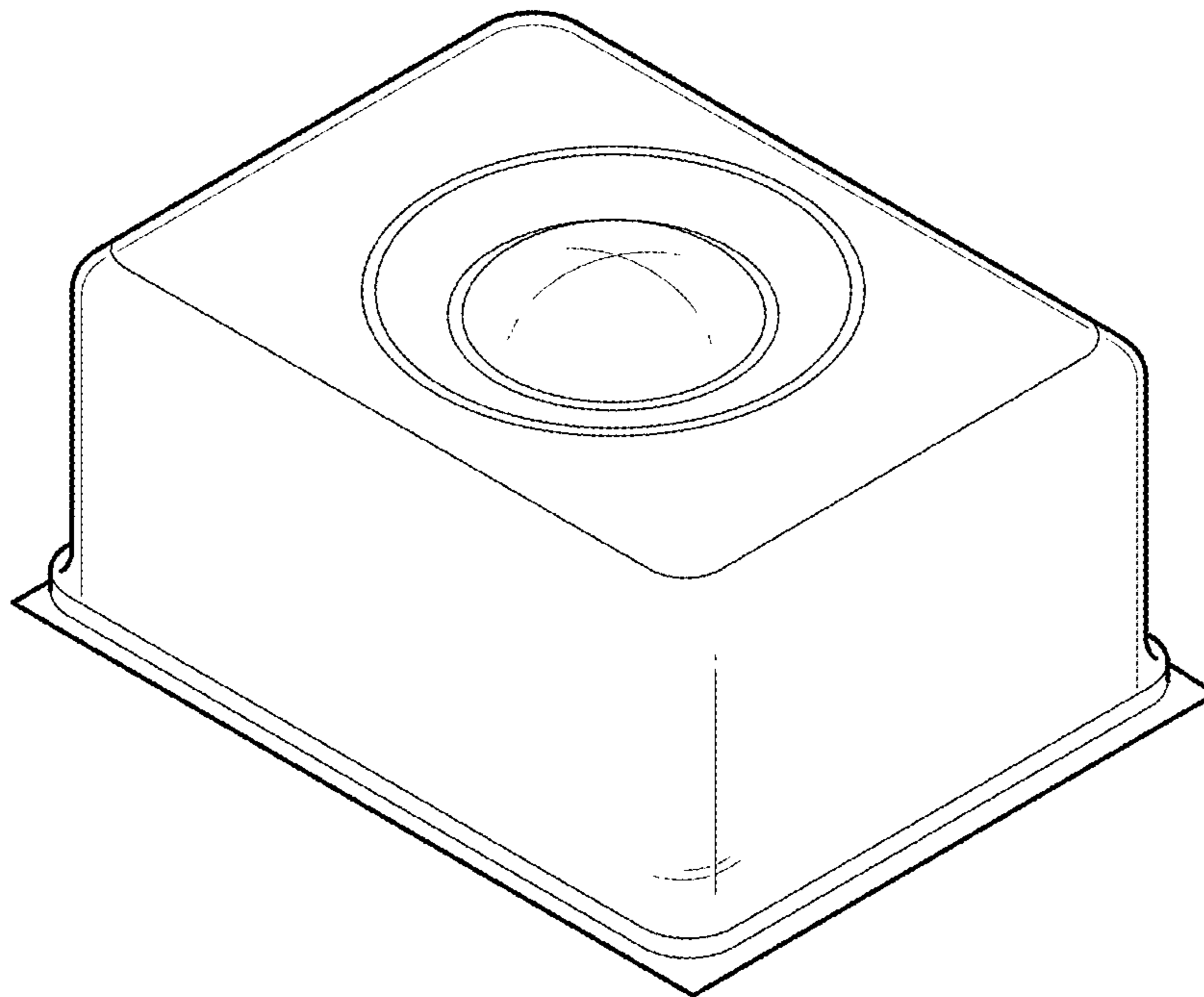
The ornamental design for a capsule containing washing products, as shown and described.

**DESCRIPTION**

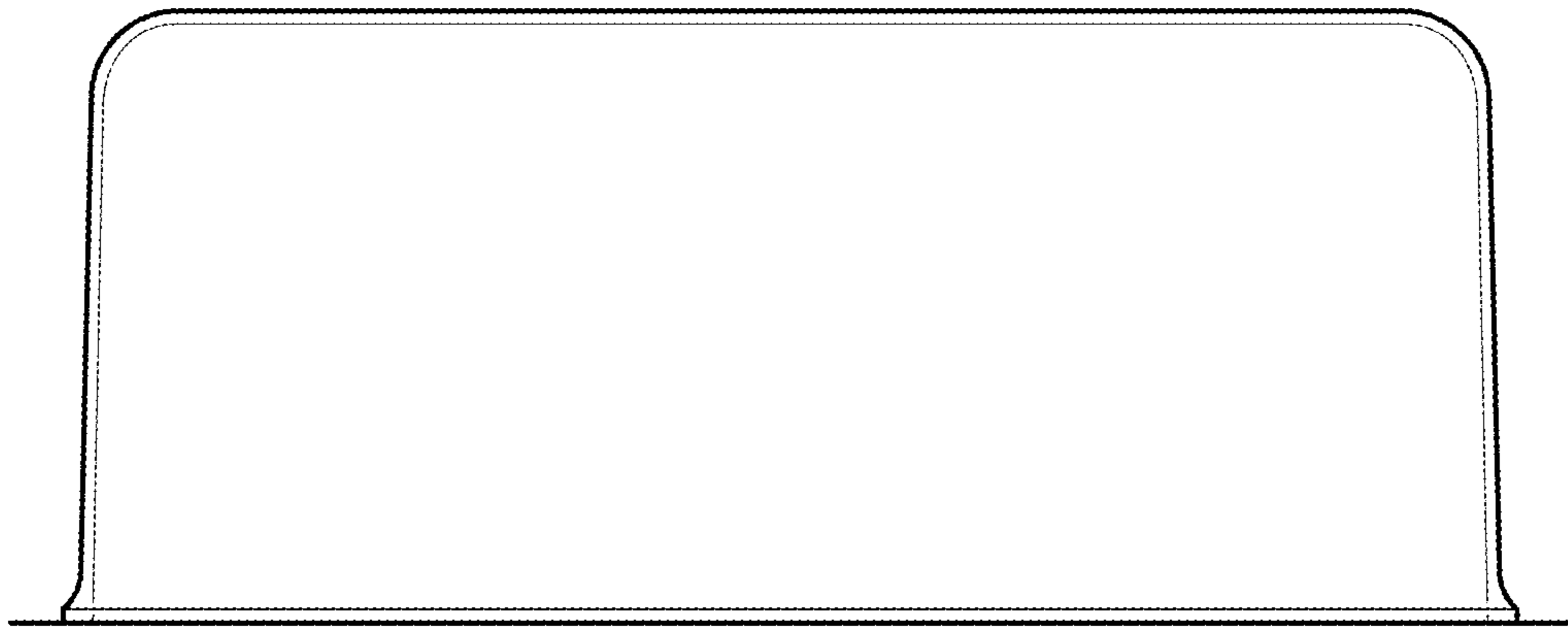
FIG. 1 is a perspective view of a capsule containing washing products of the present invention;  
FIG. 2 is a front view of the capsule containing washing products of FIG. 1;  
FIG. 3 is a back view of the capsule containing washing products of FIG. 1;  
FIG. 4 is a side view of the capsule containing washing products of FIG. 1;  
FIG. 5 is the other side view of the capsule containing washing products of FIG. 1;  
FIG. 6 is a bottom view of the capsule containing washing products of FIG. 1; and,  
FIG. 7 is a top view of the capsule containing washing products of FIG. 1.

**1 Claim, 7 Drawing Sheets**





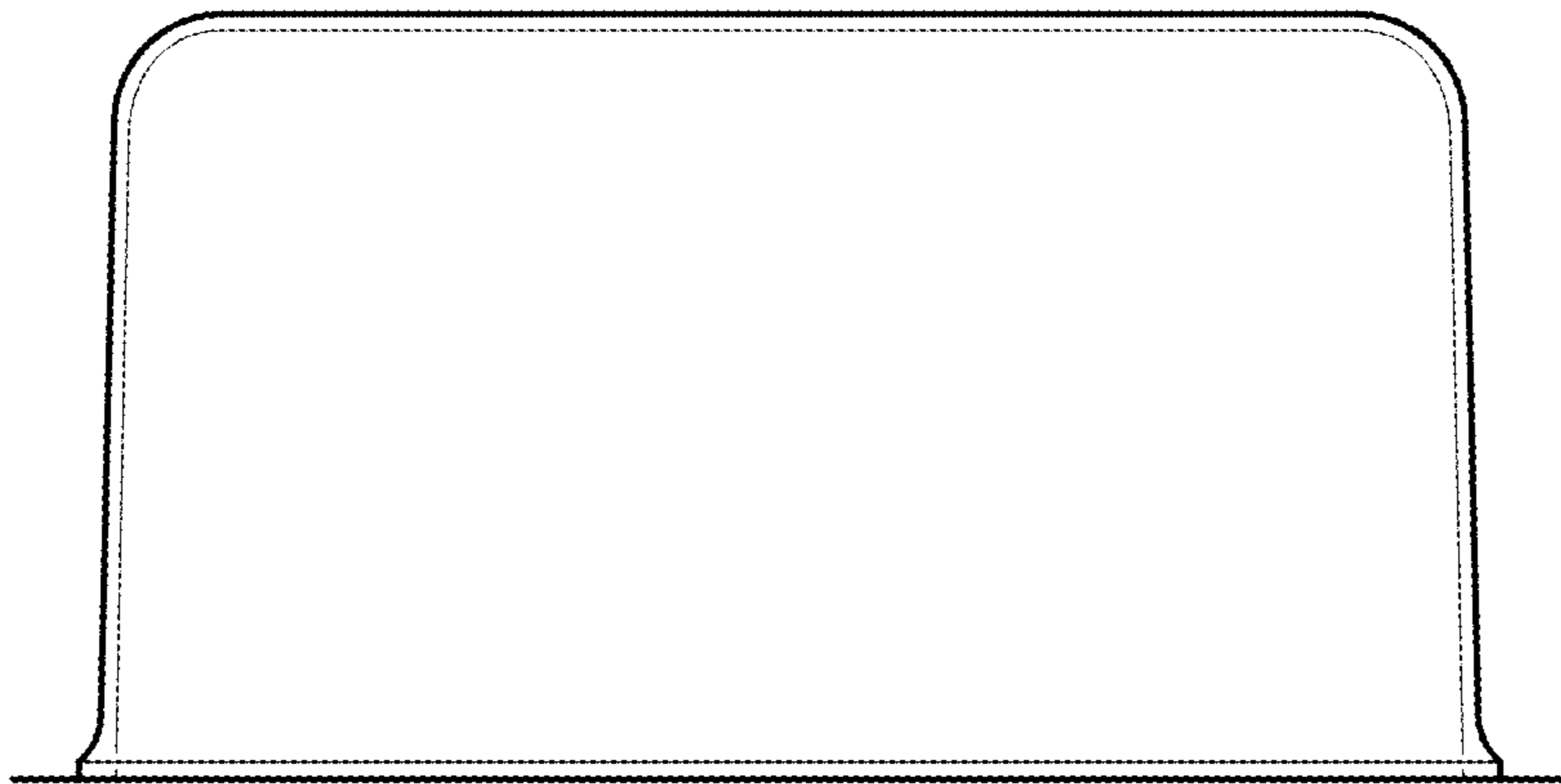
*Fig. 1*



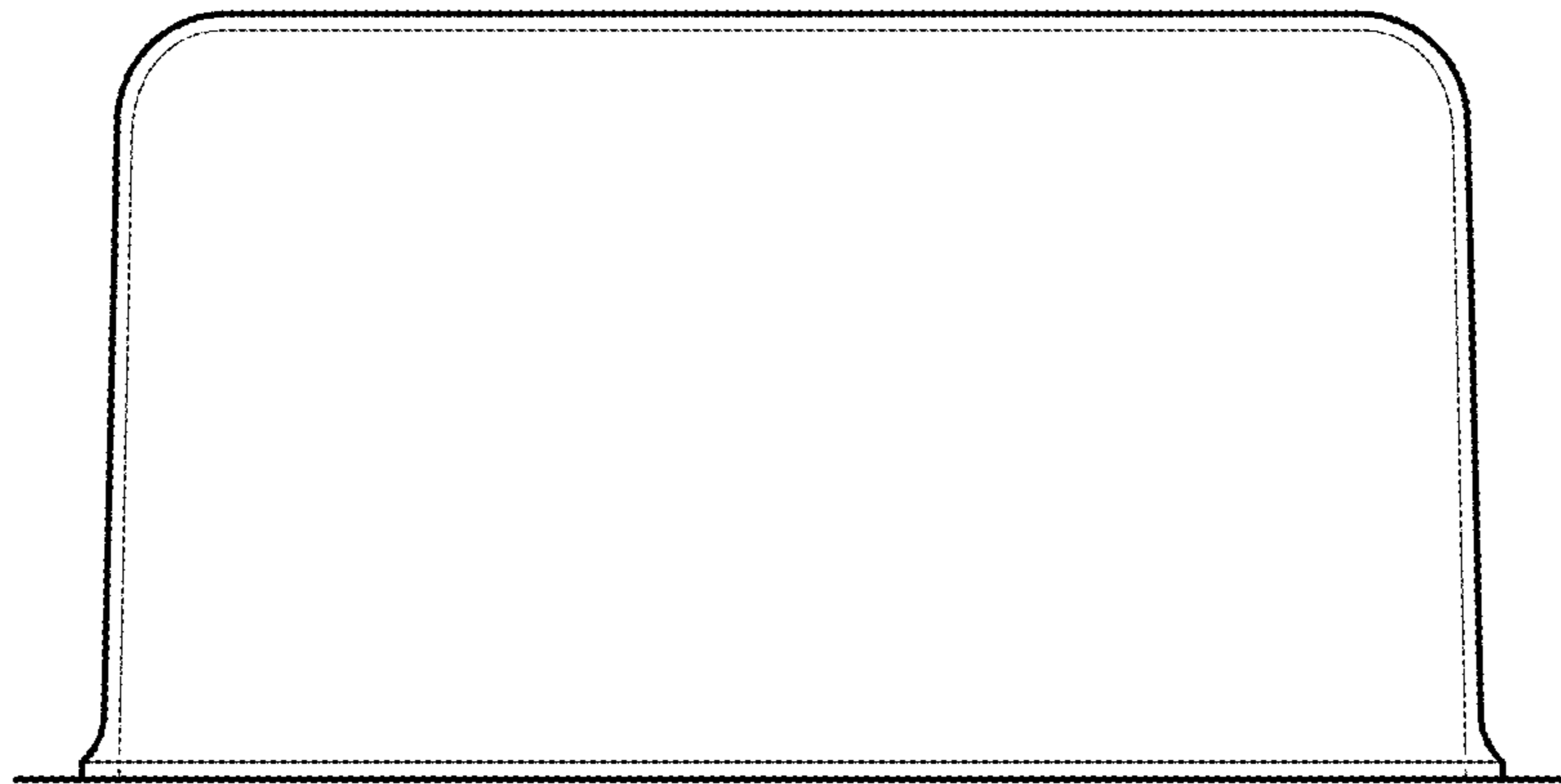
*Fig. 2*



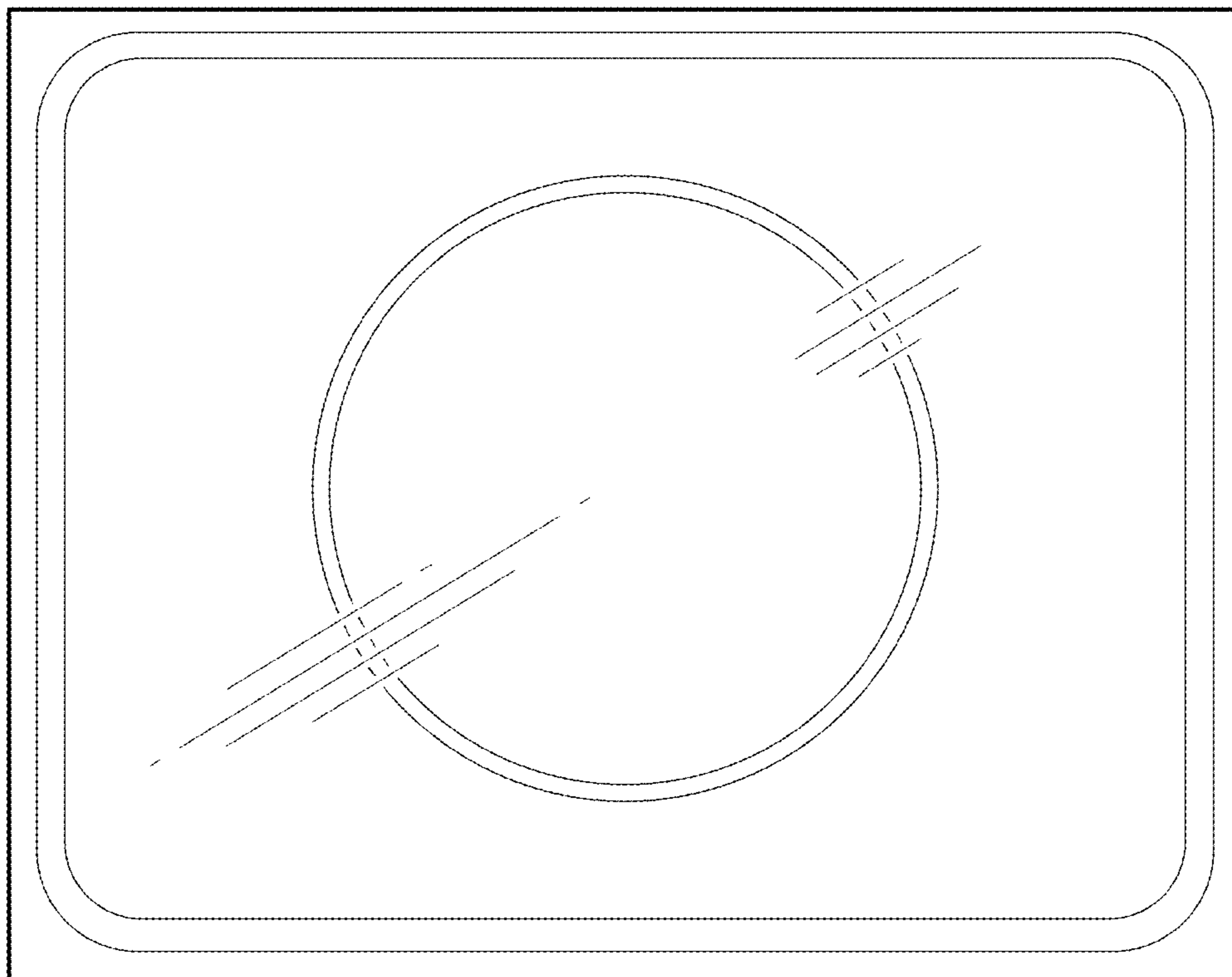
*Fig. 3*



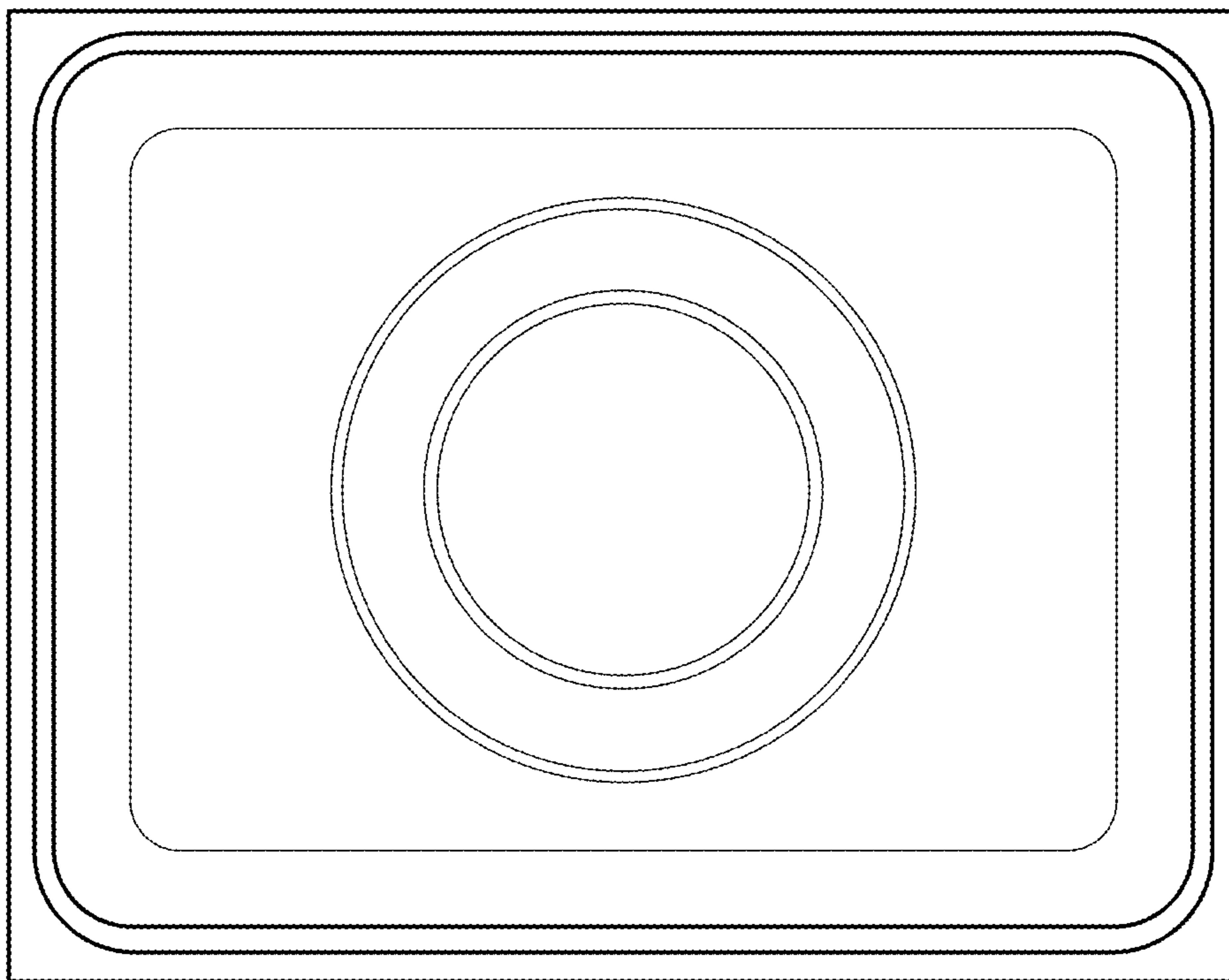
*Fig. 4*



*Fig. 5*



*Fig. 6*



*Fig. 7*