



US00D768922S

(12) **United States Design Patent**
Dietvorst et al.

(10) **Patent No.:** **US D768,922 S**
(45) **Date of Patent:** **** Oct. 11, 2016**

(54) **CAPSULE CONTAINING WASHING PRODUCTS**

(71) Applicant: **Reckitt Benckiser (Brands) Limited**, Slough (GB)

(72) Inventors: **Taco Dietvorst**, Eindhoven (NL);
Caroline Rigobert, Heidelberg (DE);
Claudia Schmaelzle, Heidelberg (DE)

(73) Assignee: **RECKITT BENCKISER (BRANDS) LIMITED**, Slough (GB)

(**) Term: **15 Years**

(21) Appl. No.: **29/542,121**

(22) Filed: **Oct. 11, 2015**

(30) **Foreign Application Priority Data**

Apr. 13, 2015 (EM) 002680306-0003

(51) **LOC (10) Cl.** **28-02**

(52) **U.S. Cl.**
USPC **D28/8.1**

(58) **Field of Classification Search**
USPC D28/8.1-8.2, 4; D9/425, 702, 707
CPC C11D 17/04-17/045; C11D 17/0047-17/0091; C11D 17/0095; C11D 17/00; C11D 17/0004; C11D 17/0008; C11D 17/0017; C11D 17/0021-17/0039
See application file for complete search history.

(56) **References Cited**

U.S. PATENT DOCUMENTS

D442,333 S * 5/2001 Friesenhahn D28/8.1
D442,738 S * 5/2001 Friesenhahn D28/8.1
D442,739 S * 5/2001 Friesenhahn D28/8.1
D445,955 S * 7/2001 Neergaard D24/101

D451,242 S * 11/2001 Neergaard D28/8.1
D452,754 S * 1/2002 Neergaard D28/8.1
D452,755 S * 1/2002 Neergaard D28/8.1
D452,756 S * 1/2002 Neergaard D28/8.1
D452,933 S * 1/2002 Friesenhahn D28/8.1
D505,516 S * 5/2005 McLeish D28/8.1
D563,598 S * 3/2008 Wiedemann D28/8.1
D566,893 S * 4/2008 McCarthy D28/8.1
D566,894 S * 4/2008 Wiedemann D28/8.1
D652,165 S * 1/2012 Gordon D28/8.1
D663,894 S * 7/2012 Davanzo D28/8.1
D690,465 S * 9/2013 Dietvorst D28/8.1
D690,878 S * 10/2013 Dietvorst D28/8.1
D692,180 S * 10/2013 Dietvorst D28/8.1

* cited by examiner

Primary Examiner — Jennifer Rivard

(74) *Attorney, Agent, or Firm* — Troutman Sanders LLP;
Ryan Schneider; Chris Davis

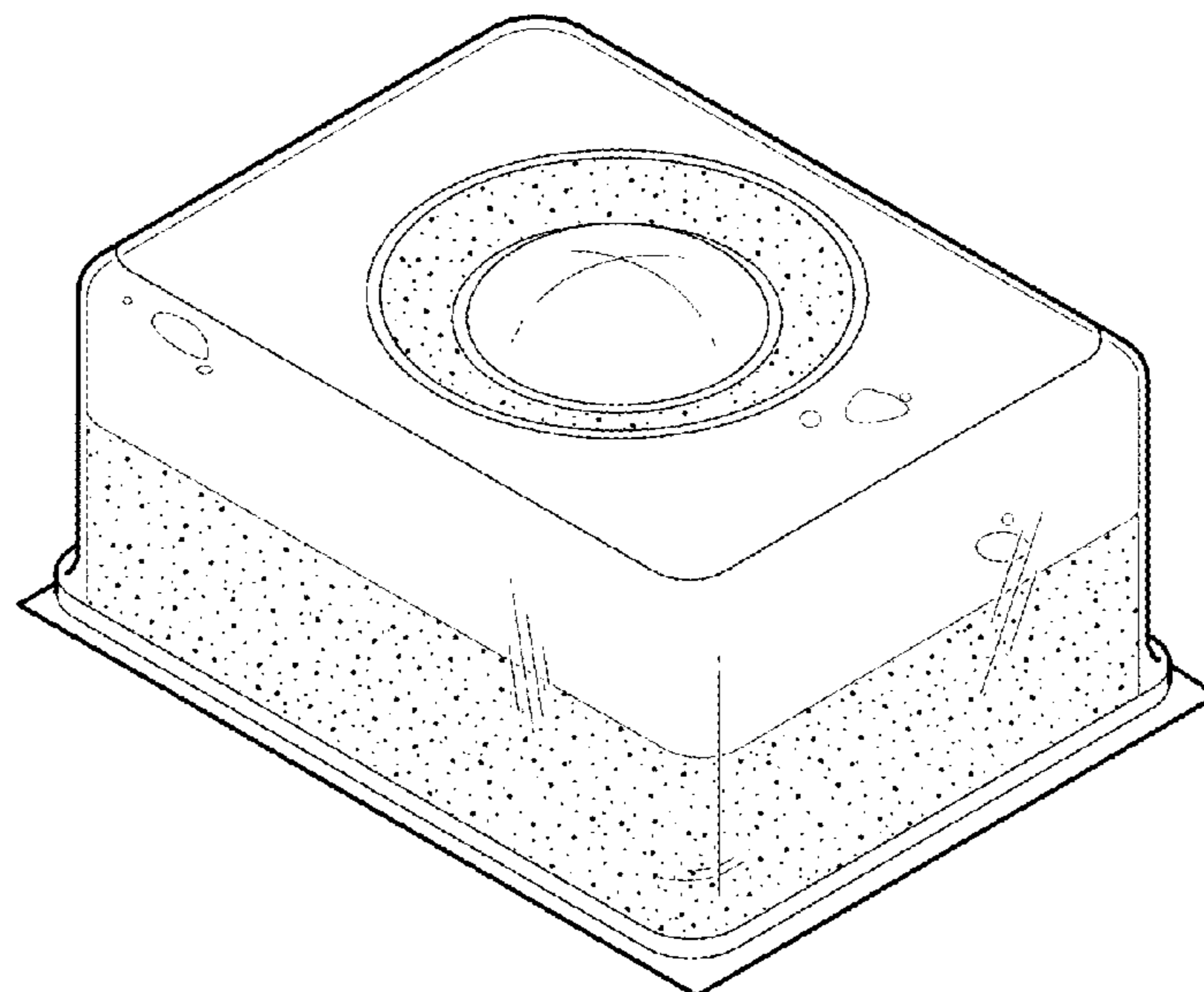
(57) **CLAIM**

The ornamental design for a capsule containing washing products, as shown and described.

DESCRIPTION

FIG. 1 is a perspective view of a capsule containing washing products of the present invention;
FIG. 2 is a front view of the capsule containing washing products of FIG. 1;
FIG. 3 is a back view of the capsule containing washing products of FIG. 1;
FIG. 4 is a side view of the capsule containing washing products of FIG. 1;
FIG. 5 is the other side view of the capsule containing washing products of FIG. 1;
FIG. 6 is a bottom view of the capsule containing washing products of FIG. 1; and,
FIG. 7 is a top view of the capsule containing washing products of FIG. 1.

1 Claim, 7 Drawing Sheets



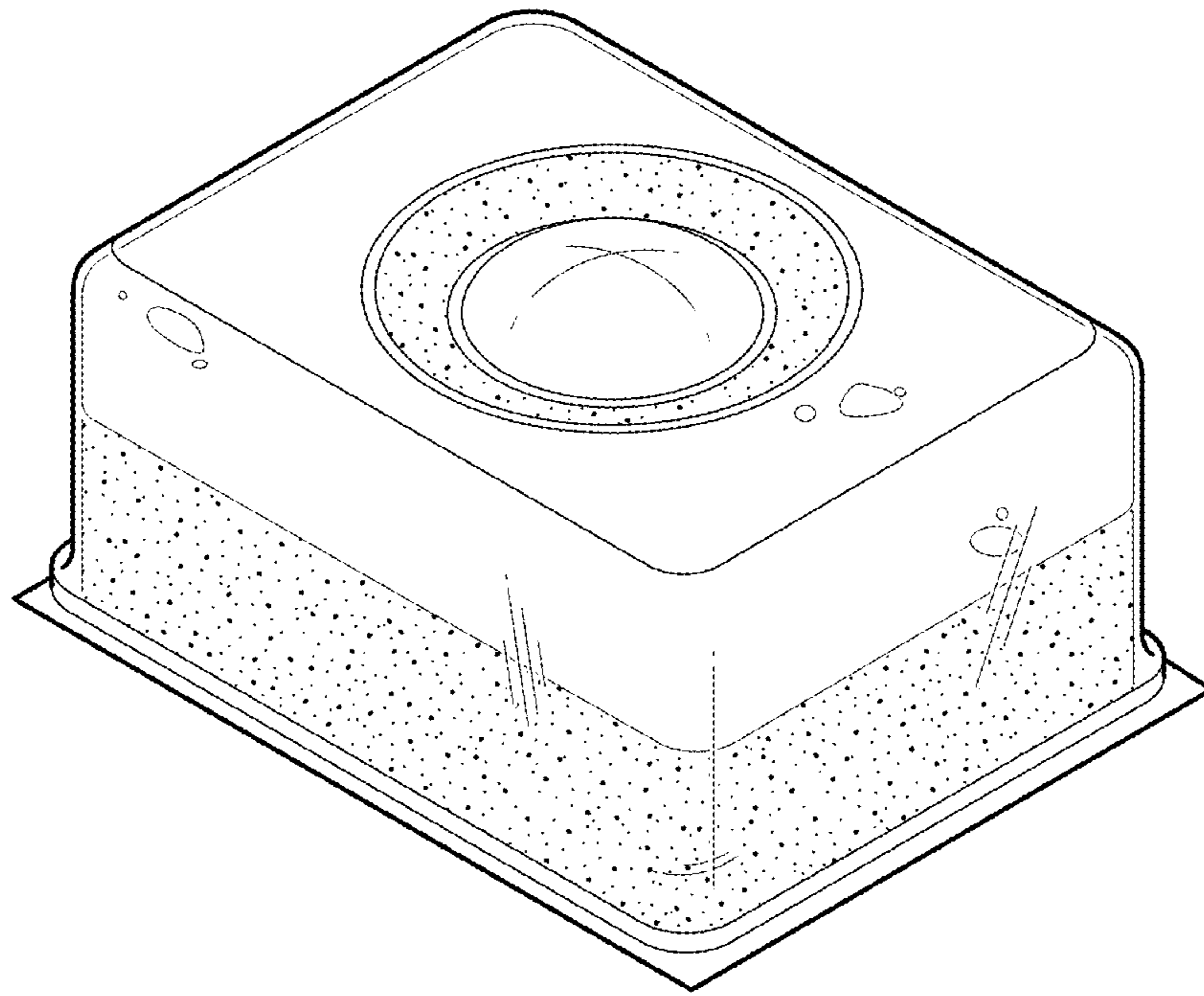


Fig. 1

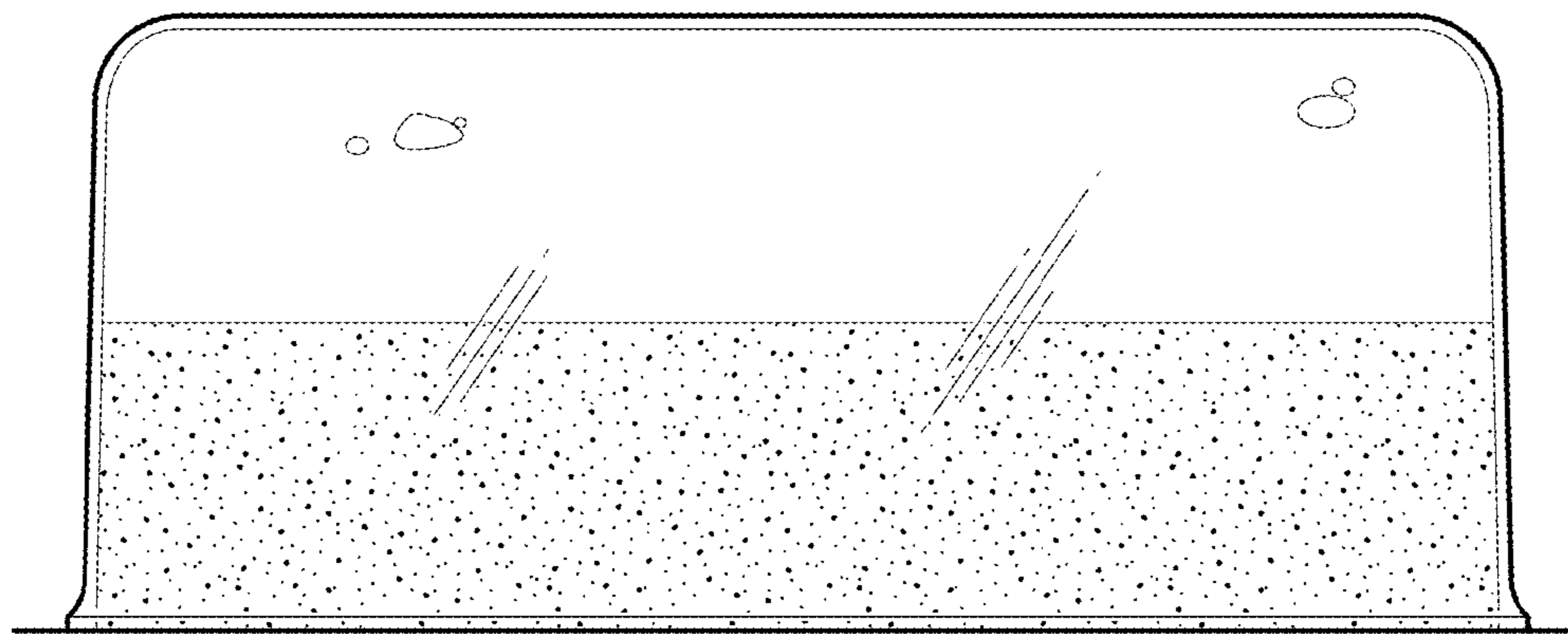


Fig. 2

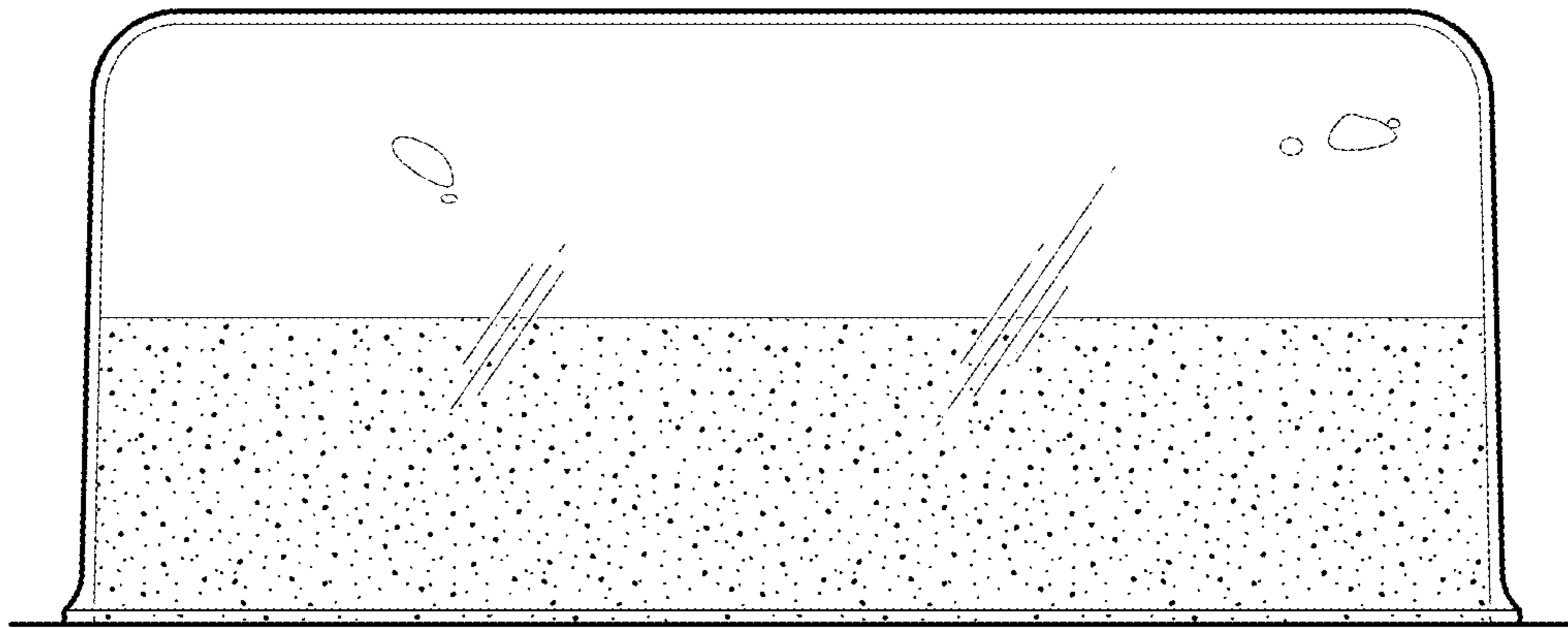


Fig. 3

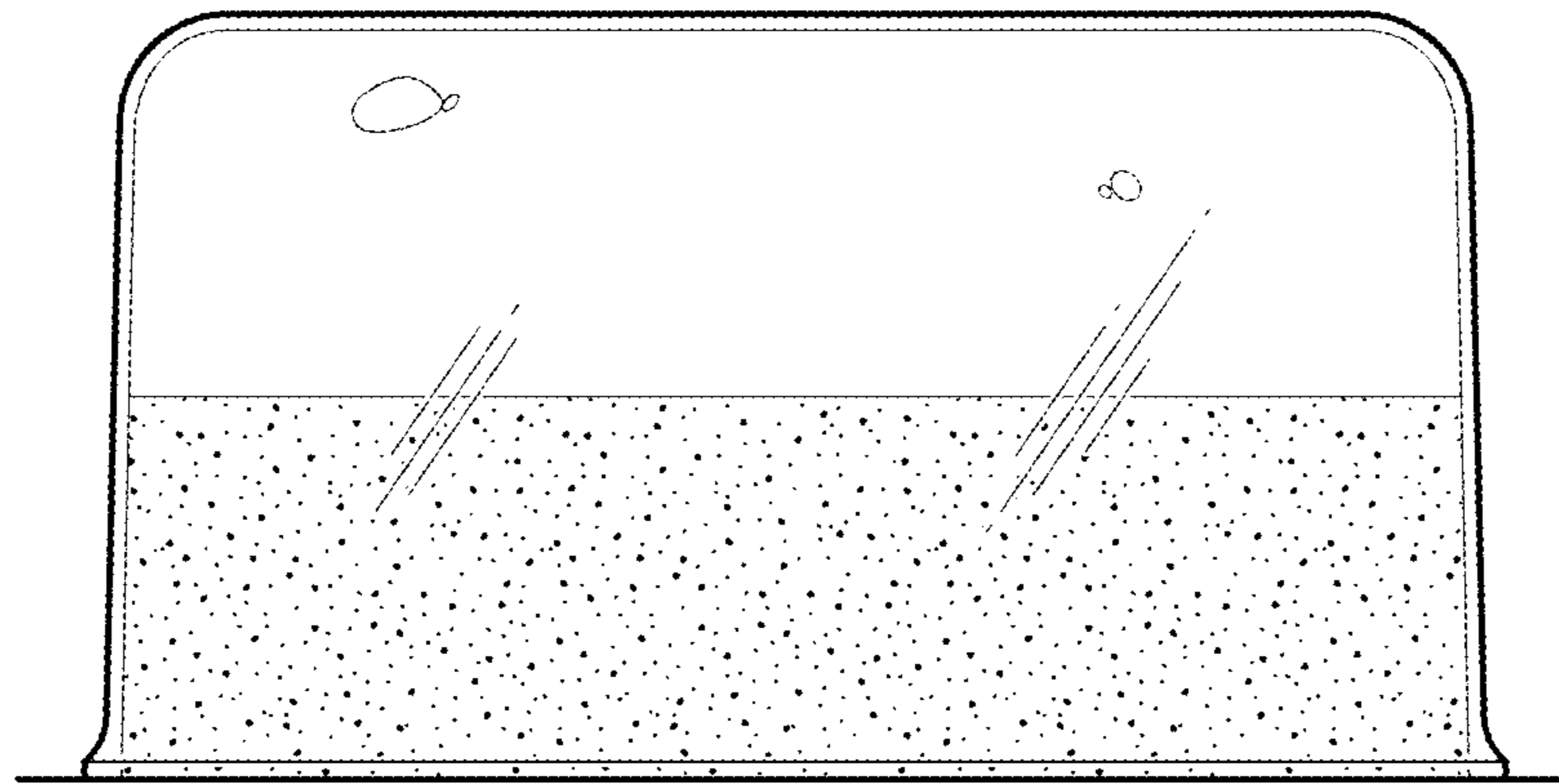


Fig. 4

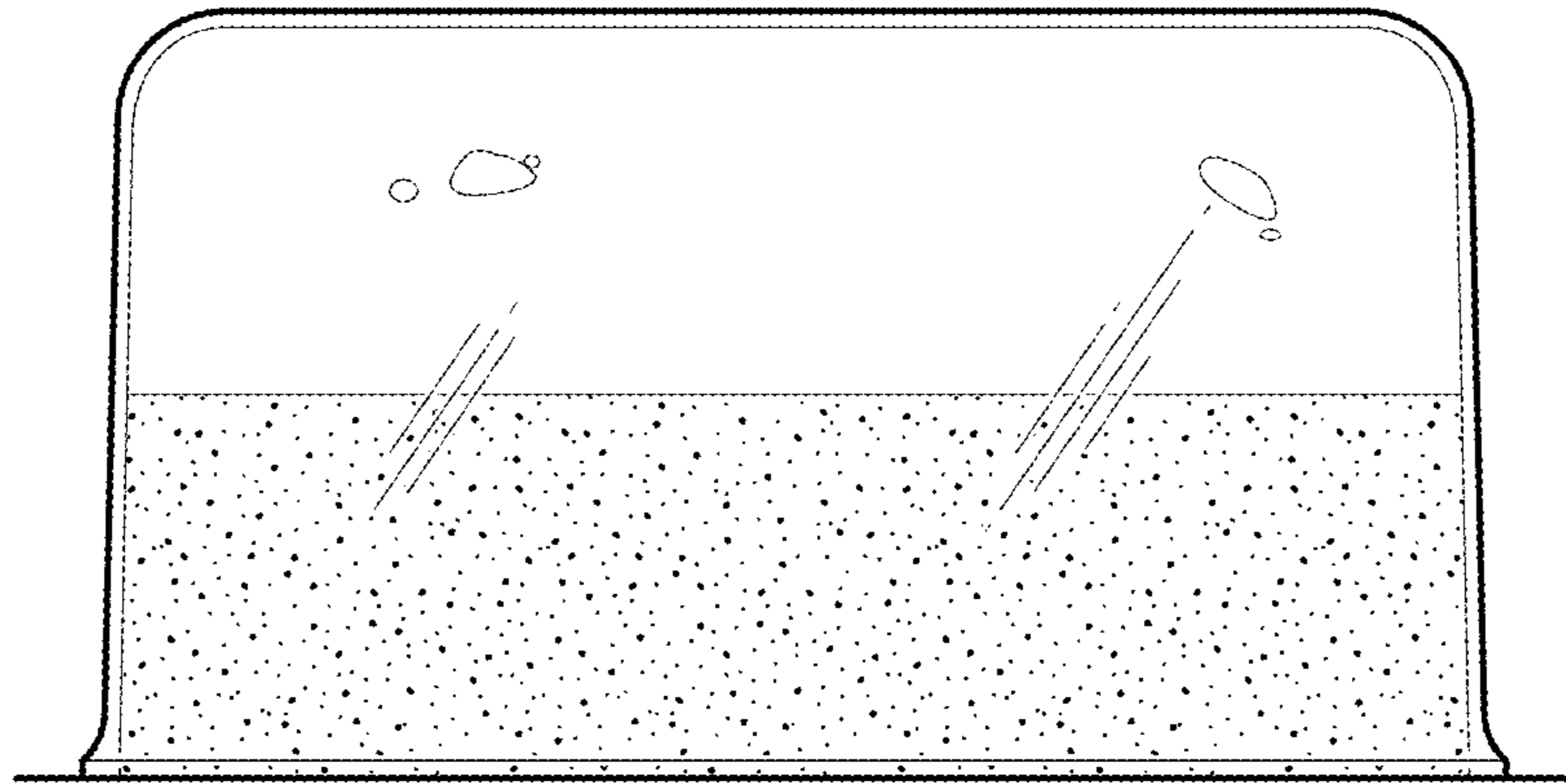


Fig. 5

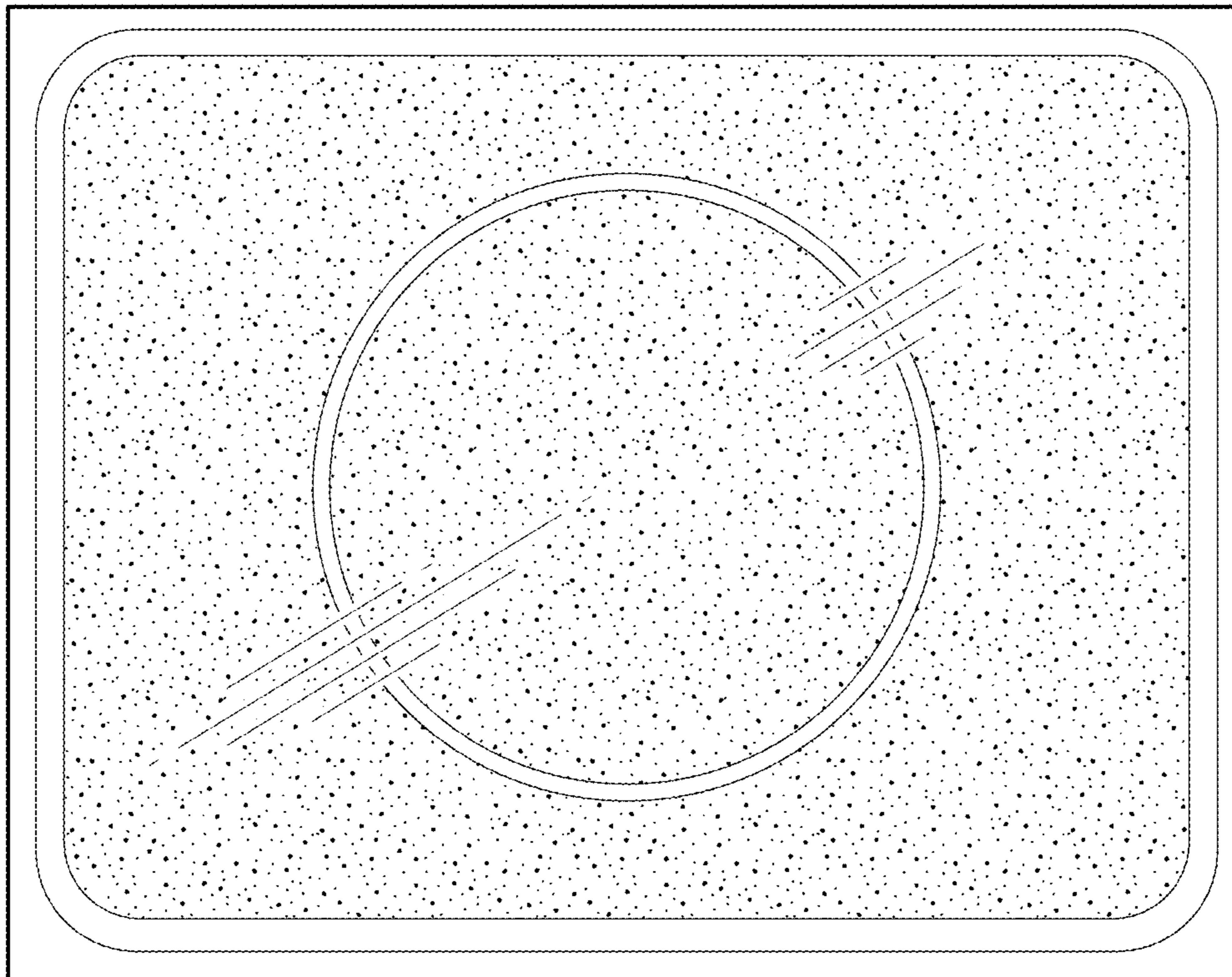


Fig. 6

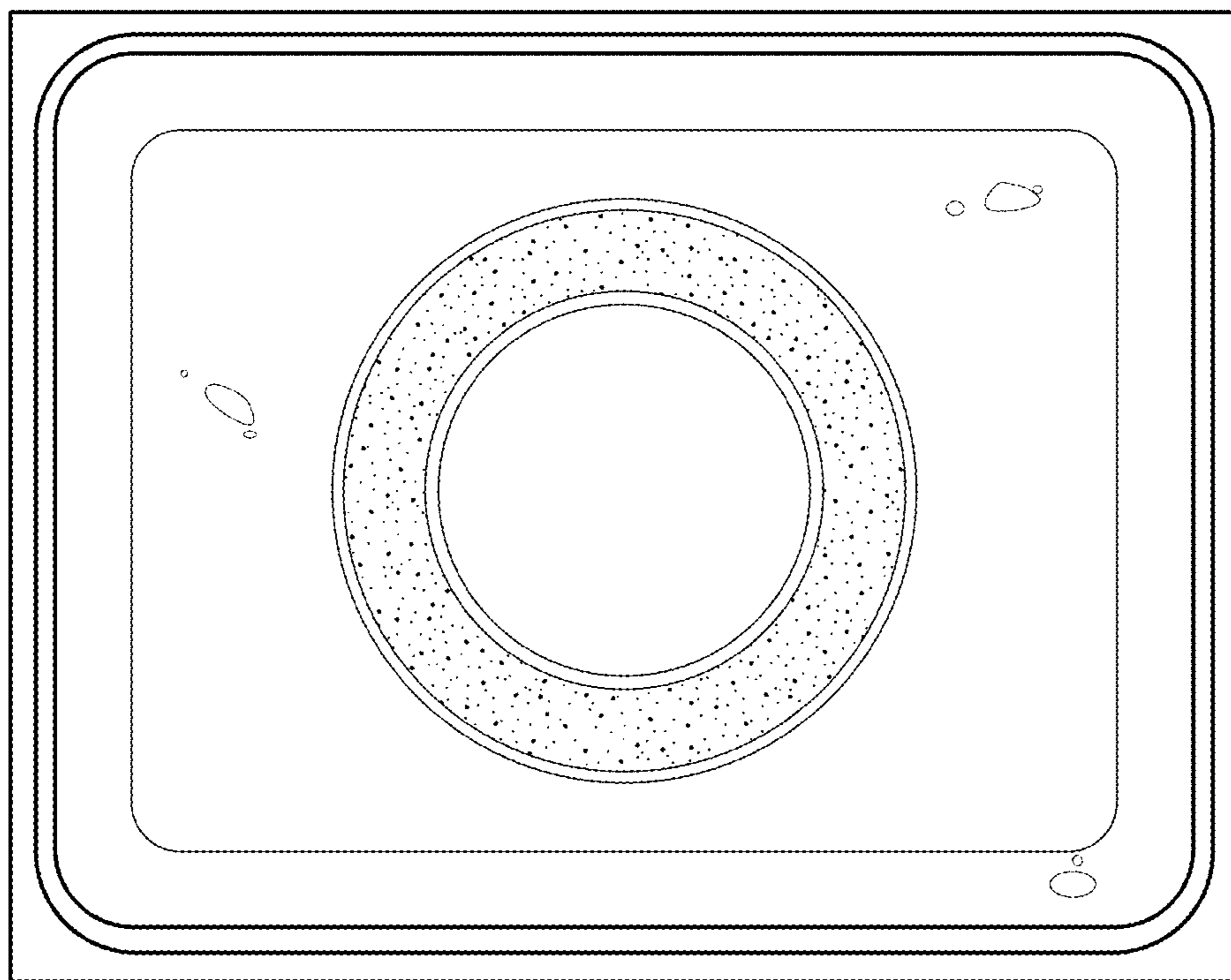


Fig. 7