



US00D768920S

(12) **United States Design Patent** (10) **Patent No.:** **US D768,920 S**  
**Jones et al.** (45) **Date of Patent:** **\*\* Oct. 11, 2016**

(54) **DISPENSER FOR E-LIQUID**  
(71) Applicant: **Nerudia Limited**, Liverpool (GB)  
(72) Inventors: **David Jones**, Manchester (GB);  
**Kenneth Scott**, Manchester (GB)  
(73) Assignee: **Nerudia Limited**, Liverpool (GB)  
(\*\*) Term: **14 Years**  
(21) Appl. No.: **29/525,845**  
(22) Filed: **May 4, 2015**  
(51) **LOC (10) Cl.** ..... **27-06**  
(52) **U.S. Cl.**  
USPC ..... **D27/189**  
(58) **Field of Classification Search**  
USPC ..... D3/20, 206, 252; D13/107, 118, 119,  
D13/184; D19/23, 115; D27/100, 101, 162,  
D27/170, 175, 183, 186, 187, 189, 193,  
D27/194; D14/203.4  
CPC .... A24F 47/008; A24F 47/002; A24F 15/18;  
A24F 13/02; A24F 13/06; A24F 15/00;  
A24F 7/04  
See application file for complete search history.

(56) **References Cited**

**U.S. PATENT DOCUMENTS**

D373,993 S \* 9/1996 Kettula ..... D13/107  
D399,600 S \* 10/1998 Bowen ..... D27/163  
D405,007 S \* 2/1999 Naas, Sr. .... D27/189  
D431,020 S \* 9/2000 Harjunpaa ..... D13/107  
D480,174 S \* 9/2003 Draghetti ..... D27/189  
D485,939 S \* 1/2004 Draghetti ..... D27/189  
D609,398 S \* 2/2010 Hearn ..... D27/189  
D610,303 S \* 2/2010 Valle ..... D27/189  
D613,904 S \* 4/2010 Wu ..... D27/189  
D616,146 S \* 5/2010 Holford ..... D27/189  
D653,535 S \* 2/2012 Tearle ..... D27/189  
D656,093 S \* 3/2012 Nomi ..... D13/107  
D656,094 S \* 3/2012 Wu ..... D13/108  
D665,734 S \* 8/2012 Fitch ..... D13/107

D677,000 S \* 2/2013 Liu ..... D27/189  
D677,001 S \* 2/2013 Liu ..... D27/189  
D681,268 S \* 4/2013 Wu ..... D27/189  
D681,269 S \* 4/2013 Wu ..... D27/189  
D683,898 S \* 6/2013 Liu ..... D13/108  
D687,768 S \* 8/2013 Minamikawa ..... D13/107  
D688,418 S \* 8/2013 Liu ..... D13/108  
D692,615 S \* 10/2013 Verleur ..... D27/186  
D693,054 S \* 11/2013 Verleur ..... D27/189  
D700,994 S \* 3/2014 Alarcon ..... D27/189  
D723,733 S \* 3/2015 Liu ..... D27/189  
D723,734 S \* 3/2015 Liu ..... D27/189  
D723,736 S \* 3/2015 Liu ..... D27/189

(Continued)

*Primary Examiner* — Robert M Spear  
*Assistant Examiner* — Marissa J Cash  
(74) *Attorney, Agent, or Firm* — McDonnell Boehnen  
Hulbert & Berghoff LLP

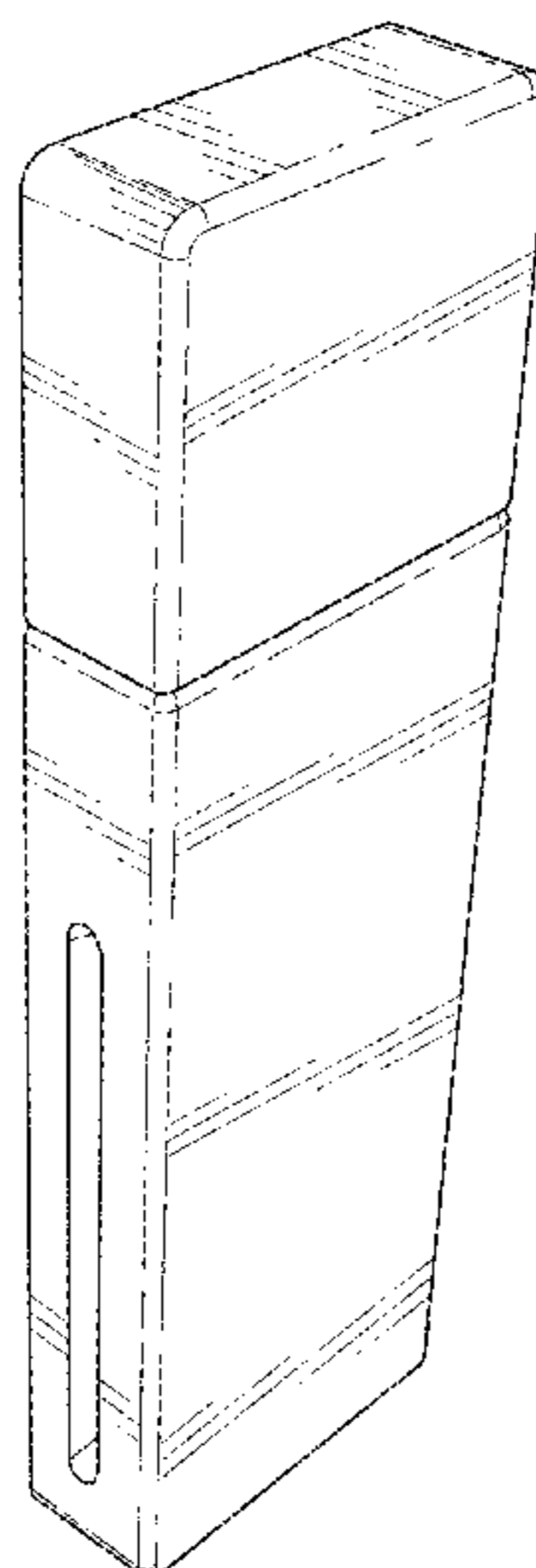
(57) **CLAIM**

The ornamental design for a dispenser for e-liquid, as shown and described.

**DESCRIPTION**

FIG. 1 is a perspective view of a first embodiment of a dispenser for e-liquid of the present design;  
FIG. 2 is a front view thereof, the rear side being a mirror image;  
FIG. 3 is a right side view thereof, the left side being a mirror image;  
FIG. 4 is a top view thereof;  
FIG. 5 is a bottom view thereof;  
FIG. 6 is a perspective view of a fourth embodiment of a dispenser for e-liquid of the present design;  
FIG. 7 is a front view thereof, the rear side being a mirror image;  
FIG. 8 is a right side view thereof;  
FIG. 9 is a left side view thereof;  
FIG. 10 is a top view thereof; and,  
FIG. 11 is a bottom view thereof.

**1 Claim, 4 Drawing Sheets**



# US D768,920 S

Page 2

(56)

## References Cited

### U.S. PATENT DOCUMENTS

D723,737 S *	3/2015	Liu	.....	D27/189	2013/0342157 A1*	12/2013	Liu	.....	A24F 15/18 320/107
8,978,663 B2 *	3/2015	Newton	.....	A24F 47/008 131/347	2014/0196736 A1*	7/2014	Fernando	.....	A24F 47/008 131/329
D736,456 S *	8/2015	Liu	.....	D27/189	2015/0008150 A1*	1/2015	Liu	.....	A24F 15/12 206/268
D736,458 S *	8/2015	Liu	.....	D27/189	2015/0114410 A1*	4/2015	Doster	.....	A24F 47/008 131/329
D736,996 S *	8/2015	Liu	.....	D27/189	2015/0196053 A1*	7/2015	Liu	.....	A24F 15/18 340/10.4
D737,505 S *	8/2015	Liu	.....	D27/189					

\* cited by examiner

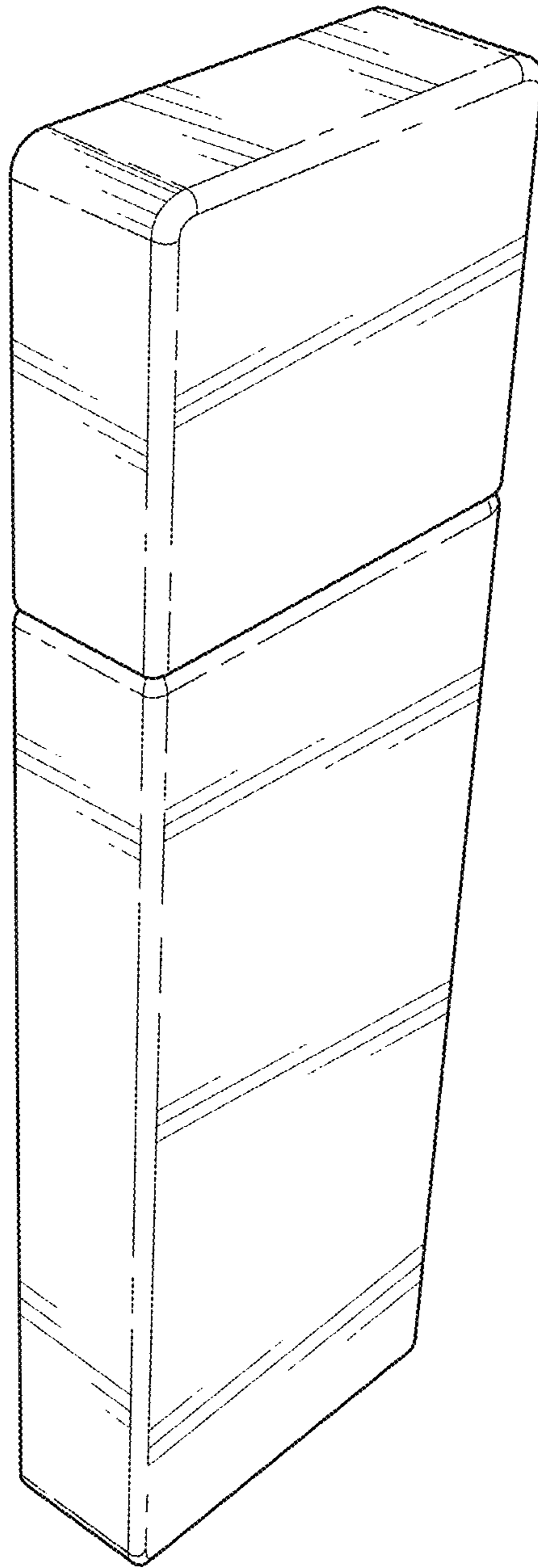


FIG. 1

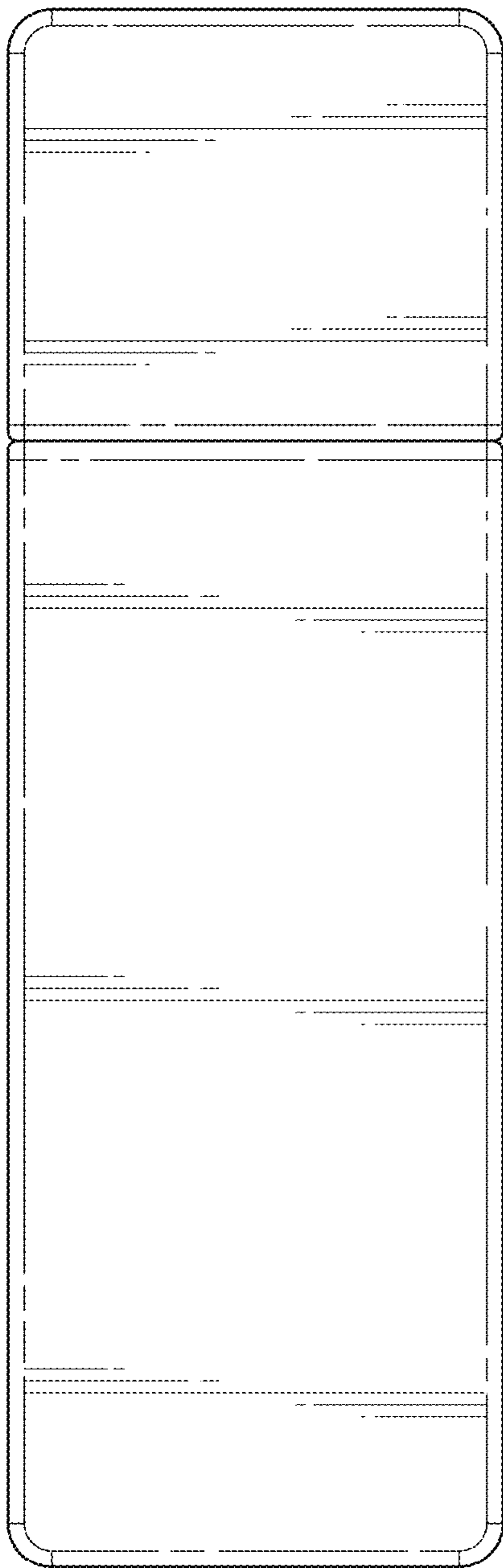


FIG. 2

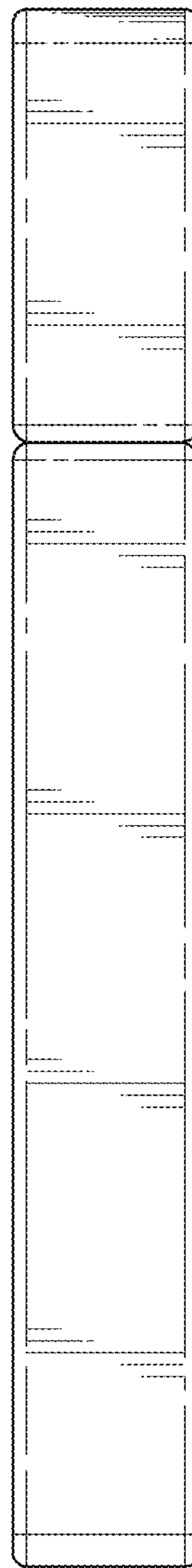


FIG. 3

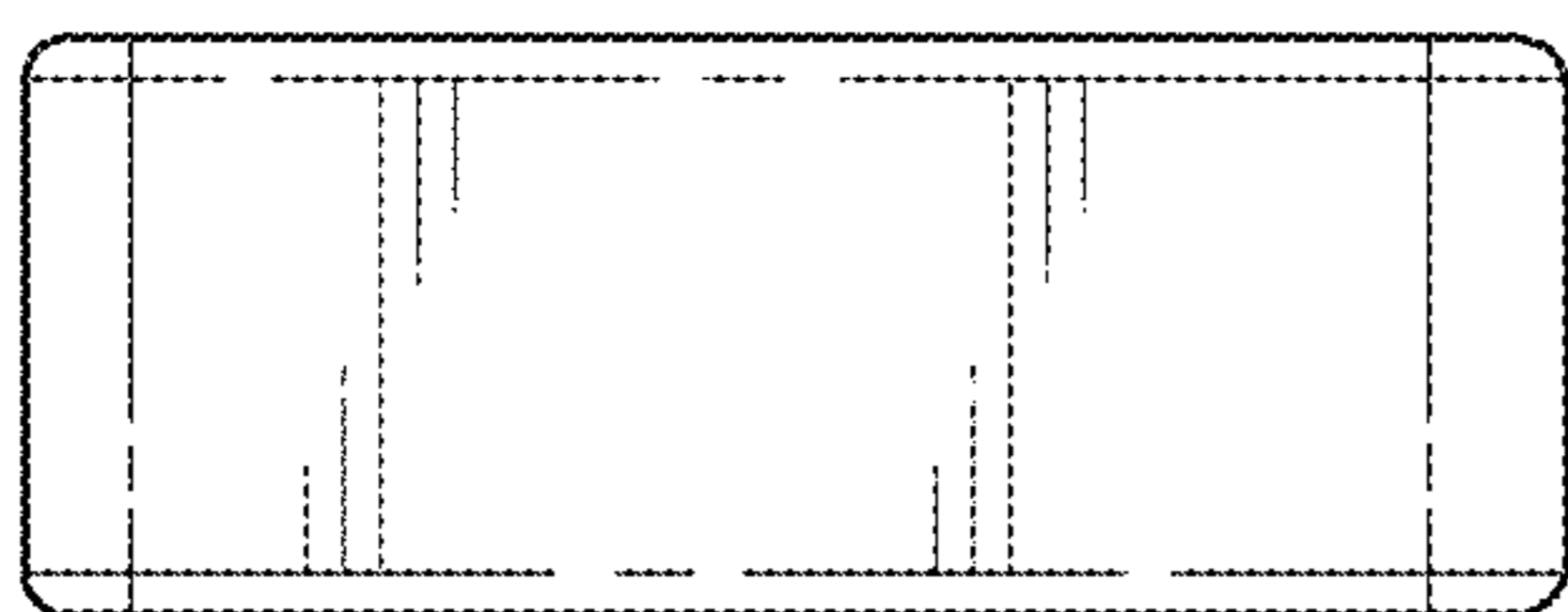


FIG. 4

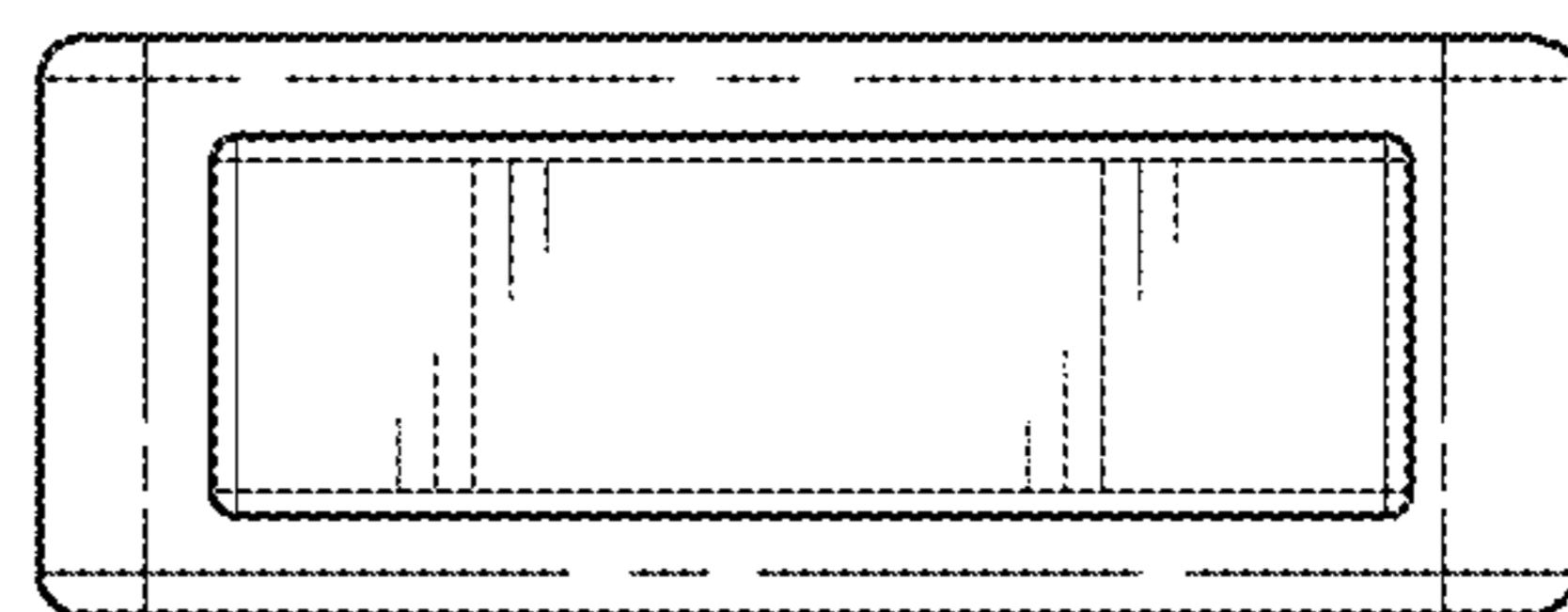


FIG. 5

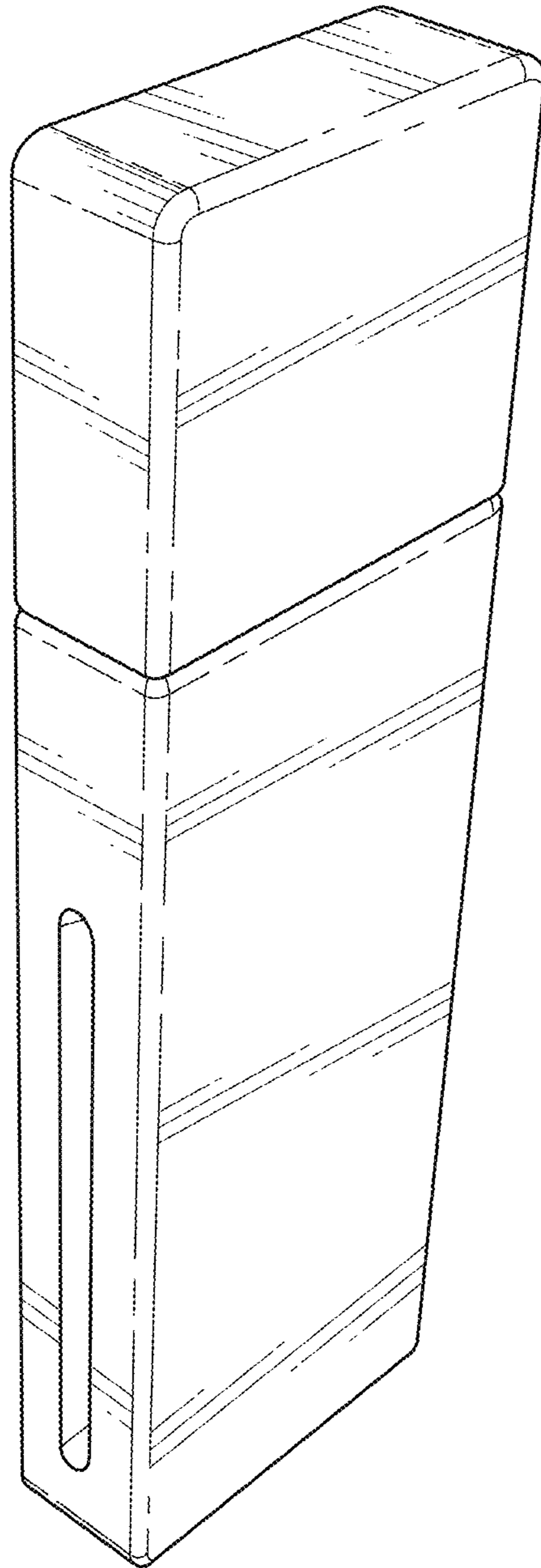


FIG. 6

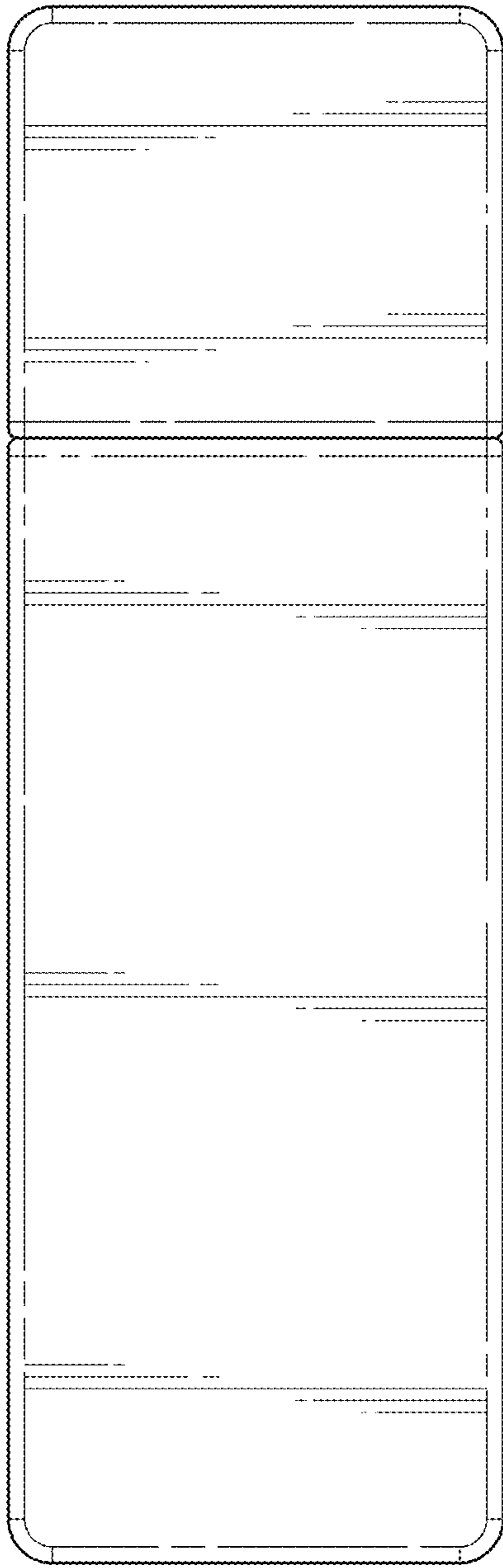


FIG. 7

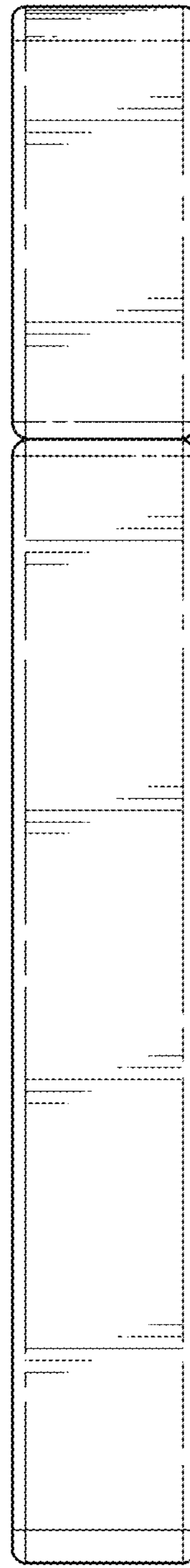


FIG. 8

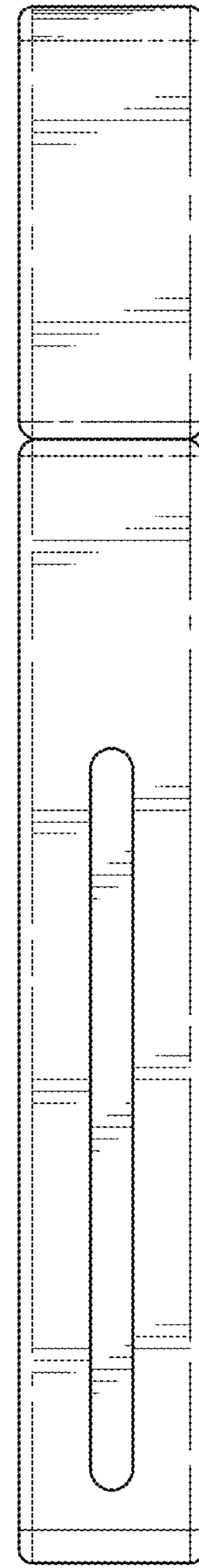


FIG. 9

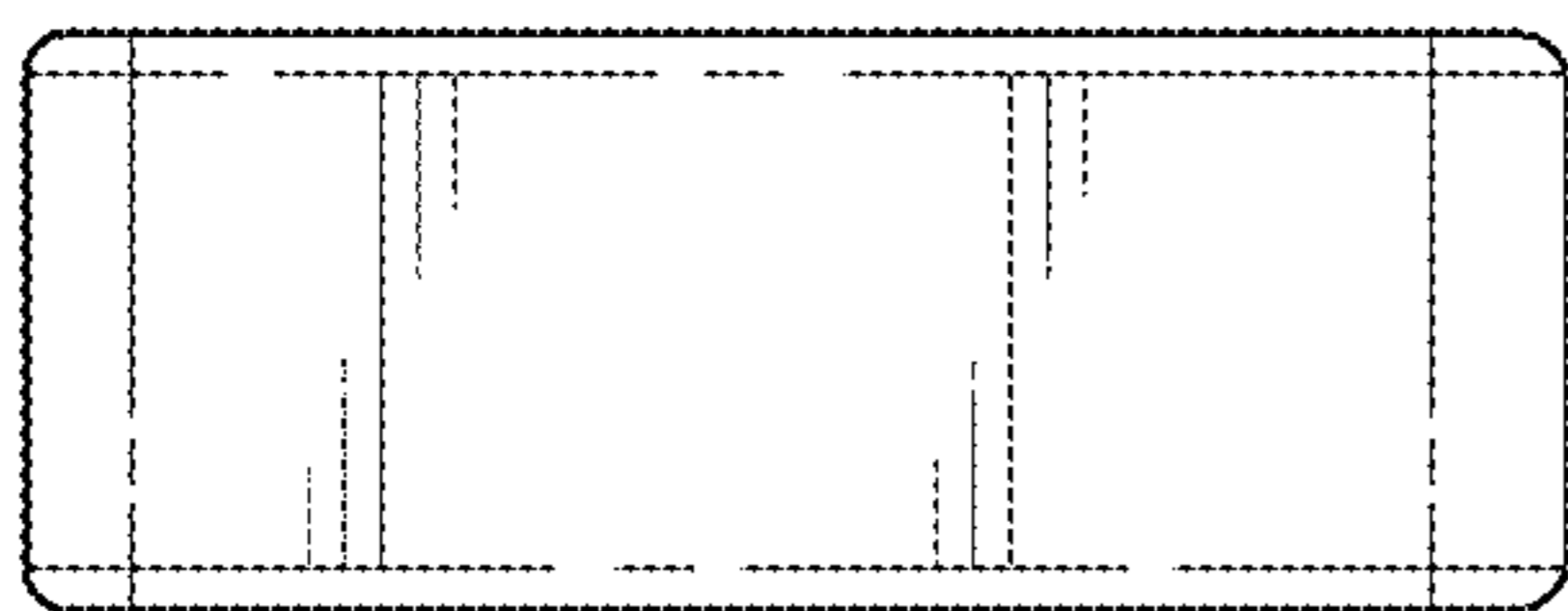


FIG. 10

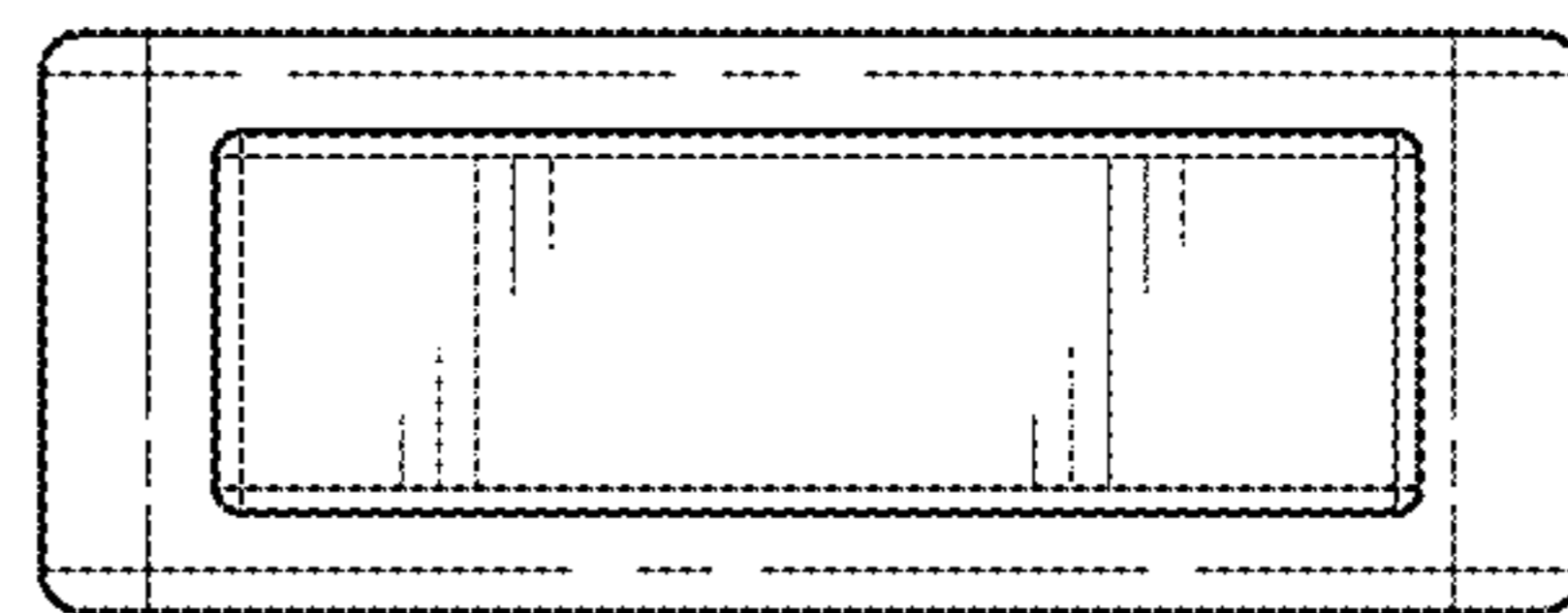


FIG. 11