



US00D768918S

(12) **United States Design Patent**
Ward et al.

(10) **Patent No.:** **US D768,918 S**

(45) **Date of Patent:** **** Oct. 11, 2016**

(54) **DISPENSER FOR E-LIQUID**

(71) Applicant: **Nerudia Limited**, Liverpool (GB)

(72) Inventors: **Chris Ward**, Prestatyn (GB); **David Jones**, Manchester (GB)

(73) Assignee: **Nerudia Limited**, Liverpool (GB)

(**) Term: **14 Years**

(21) Appl. No.: **29/524,733**

(22) Filed: **Apr. 22, 2015**

(51) **LOC (10) Cl.** **27-02**

(52) **U.S. Cl.**
USPC **D27/167**

(58) **Field of Classification Search**
USPC D3/20, 206, 252; D13/107, 118, 119,
D13/184; D19/23, 115; D27/100, 101, 162,
D27/170, 175, 183, 186, 187, 189, 193,
D27/194; D14/203.4
CPC A24F 47/008; A24F 47/002; A24F 15/18;
A24F 13/02; A24F 13/06; A24F 15/00;
A24F 7/04
See application file for complete search history.

D683,898 S * 6/2013 Liu D13/108
D687,768 S * 8/2013 Minamikawa D13/107
D688,418 S * 8/2013 Liu D13/108
D692,615 S * 10/2013 Verleur D27/186
D693,054 S * 11/2013 Verleur D27/189
D700,994 S * 3/2014 Alarcon D27/189
D723,734 S * 3/2015 Liu D27/189
D723,736 S * 3/2015 Liu D27/189
D723,737 S * 3/2015 Liu D27/189
8,978,663 B2 * 3/2015 Newton A24F 47/008
131/347
D733,651 S * 7/2015 Liu D13/108
D736,456 S * 8/2015 Liu D27/189
D736,458 S * 8/2015 Liu D27/189
D736,996 S * 8/2015 Liu D27/189
D737,505 S * 8/2015 Liu D27/189
2013/0342157 A1 * 12/2013 Liu A24F 15/18
320/107
2014/0196736 A1 * 7/2014 Fernando A24F 47/008
131/329
2015/0008150 A1 * 1/2015 Liu A24F 15/12
206/268
2015/0114410 A1 * 4/2015 Doster A24F 47/008
131/329
2015/0196053 A1 * 7/2015 Liu A24F 15/18
340/10.4

* cited by examiner

Primary Examiner — Robert M Spear
Assistant Examiner — Marissa J Cash
(74) *Attorney, Agent, or Firm* — McDonnell Boehnen
Hulbert & Berghoff LLP

(56) **References Cited**

U.S. PATENT DOCUMENTS

D373,993 S * 9/1996 Kettula D13/107
D399,600 S * 10/1998 Bowen D27/163
D405,007 S * 2/1999 Naas, Sr. D27/189
D431,020 S * 9/2000 Harjunpaa D13/107
D480,174 S * 9/2003 Draghetti D27/189
D485,939 S * 1/2004 Draghetti D27/189
D609,398 S * 2/2010 Hearn D27/189
D610,303 S * 2/2010 Valle D27/189
D613,904 S * 4/2010 Wu D27/189
D616,146 S * 5/2010 Holford D27/189
D653,535 S * 2/2012 Tearle D27/189
D656,093 S * 3/2012 Nomi D13/107
D656,094 S * 3/2012 Wu D13/108
D677,000 S * 2/2013 Liu D27/189
D677,001 S * 2/2013 Liu D27/189
D681,268 S * 4/2013 Wu D27/189
D681,269 S * 4/2013 Wu D27/189

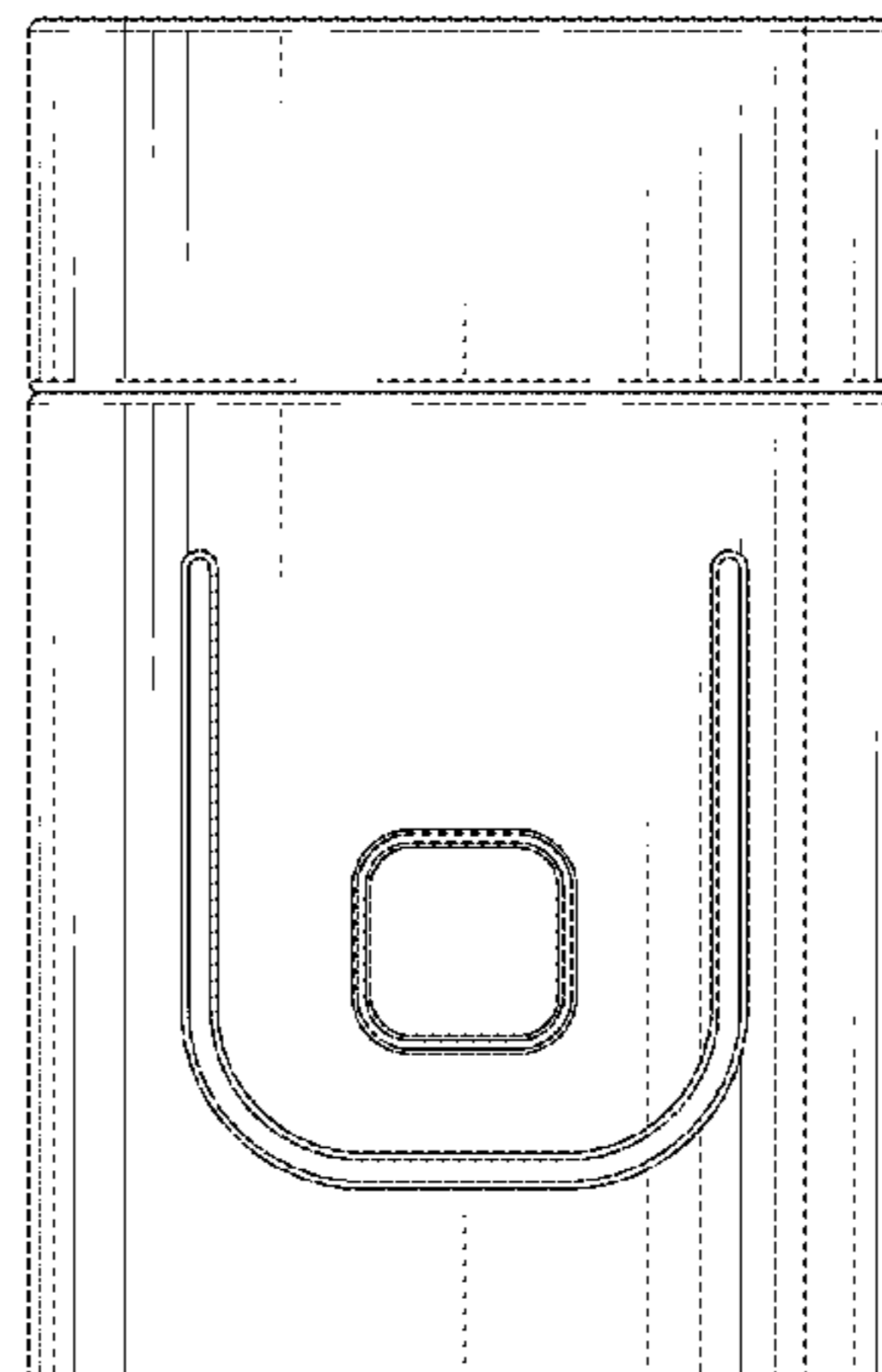
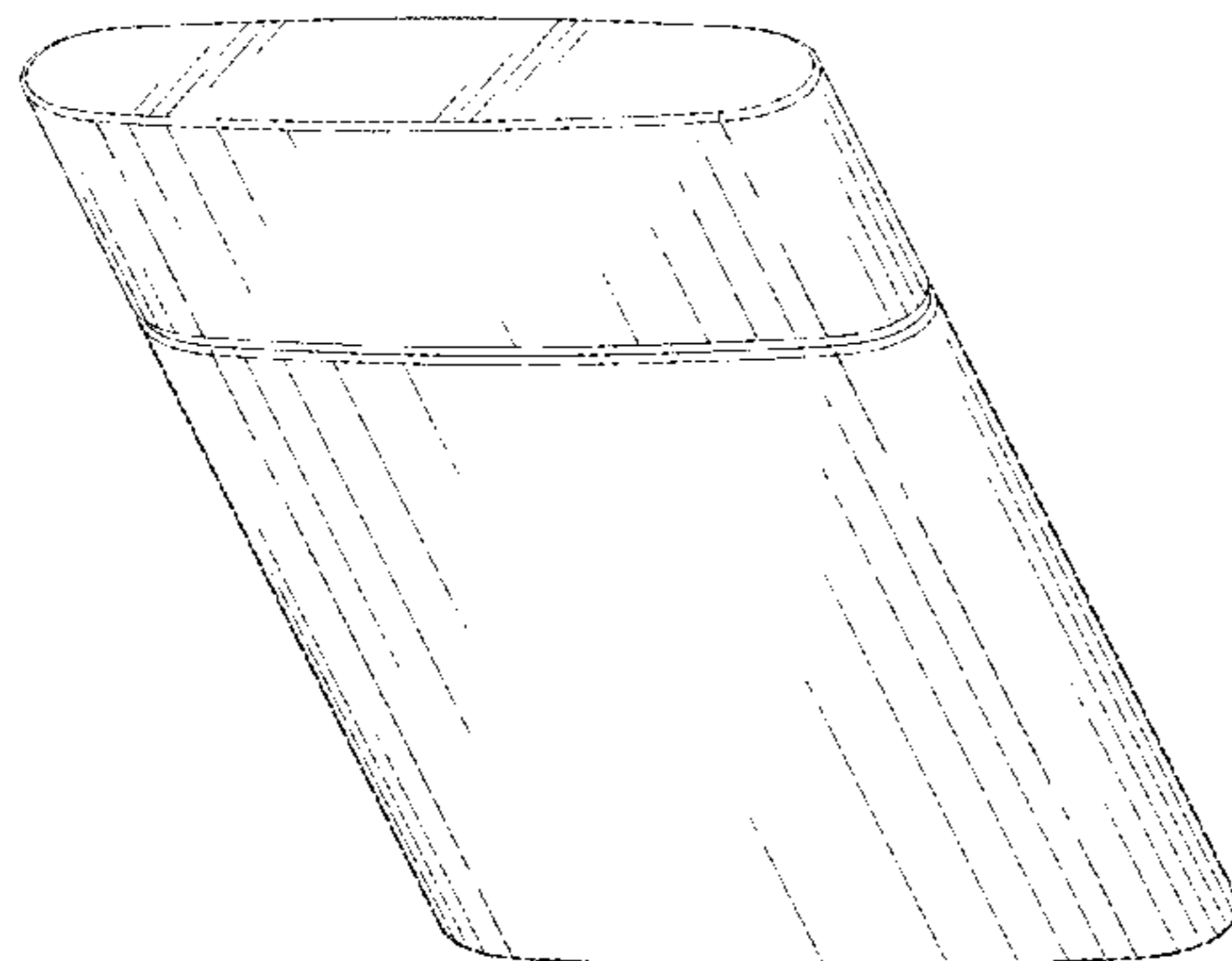
(57) **CLAIM**

The ornamental design for a dispenser for e-liquid, as shown and described.

DESCRIPTION

FIG. 1 is a perspective view of an embodiment of a dispenser for e-liquid of the present design;
FIG. 2 is a front view thereof;
FIG. 3 is a rear view thereof;
FIG. 4 is a top view thereof;
FIG. 5 is a bottom view thereof;
FIG. 6 is left side view thereof; and,
FIG. 7 is right side view thereof.

1 Claim, 3 Drawing Sheets



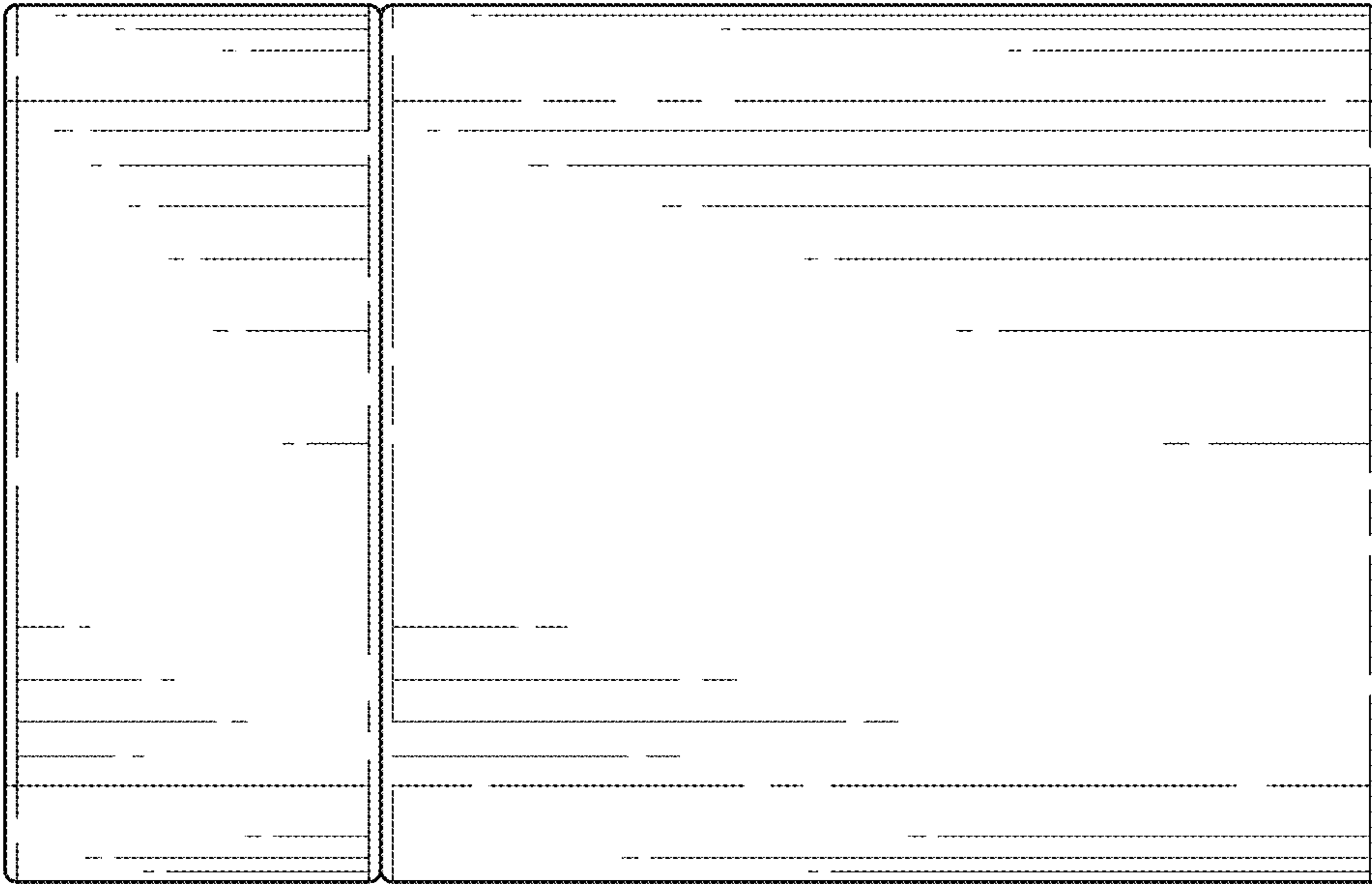


FIG. 2

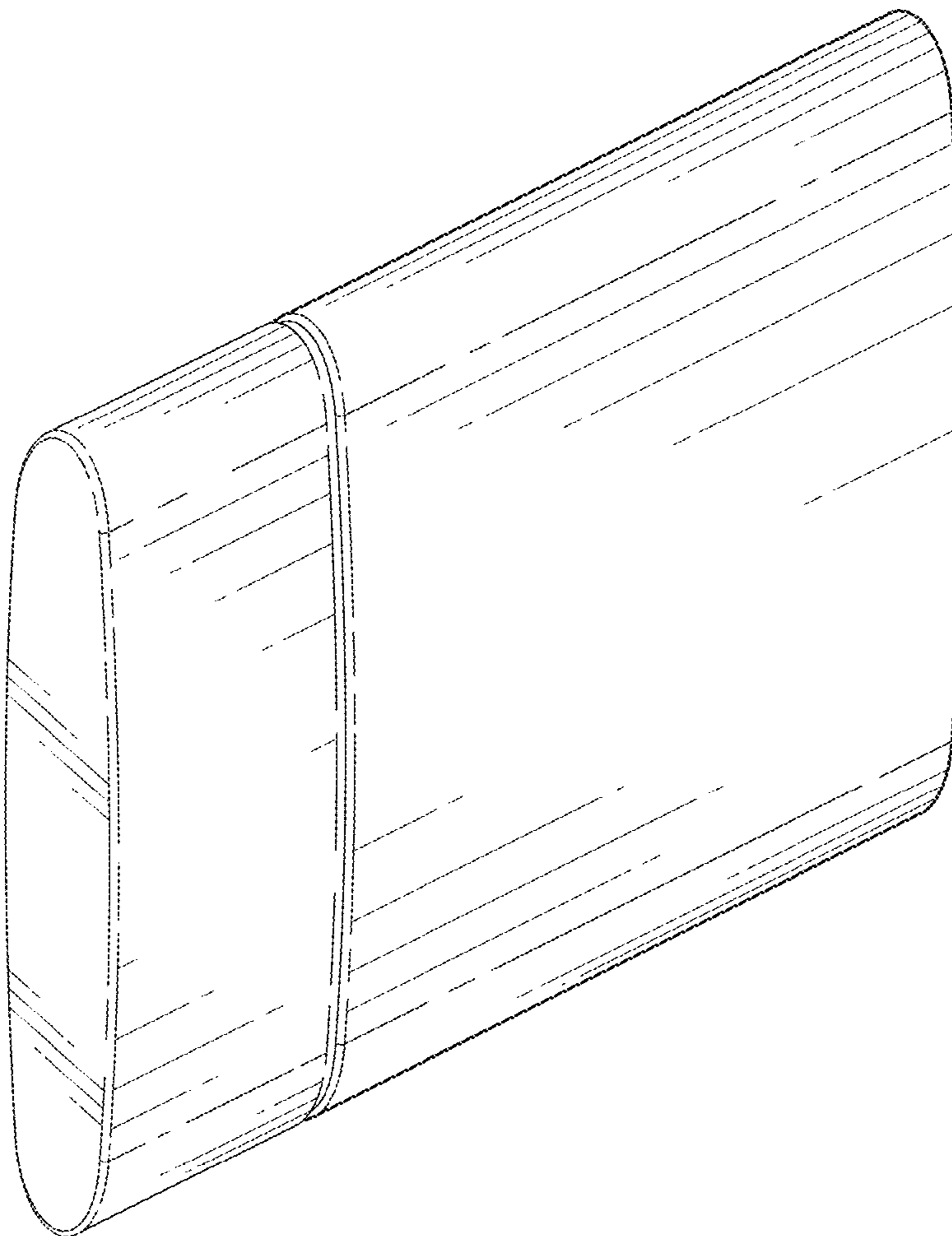


FIG. 1

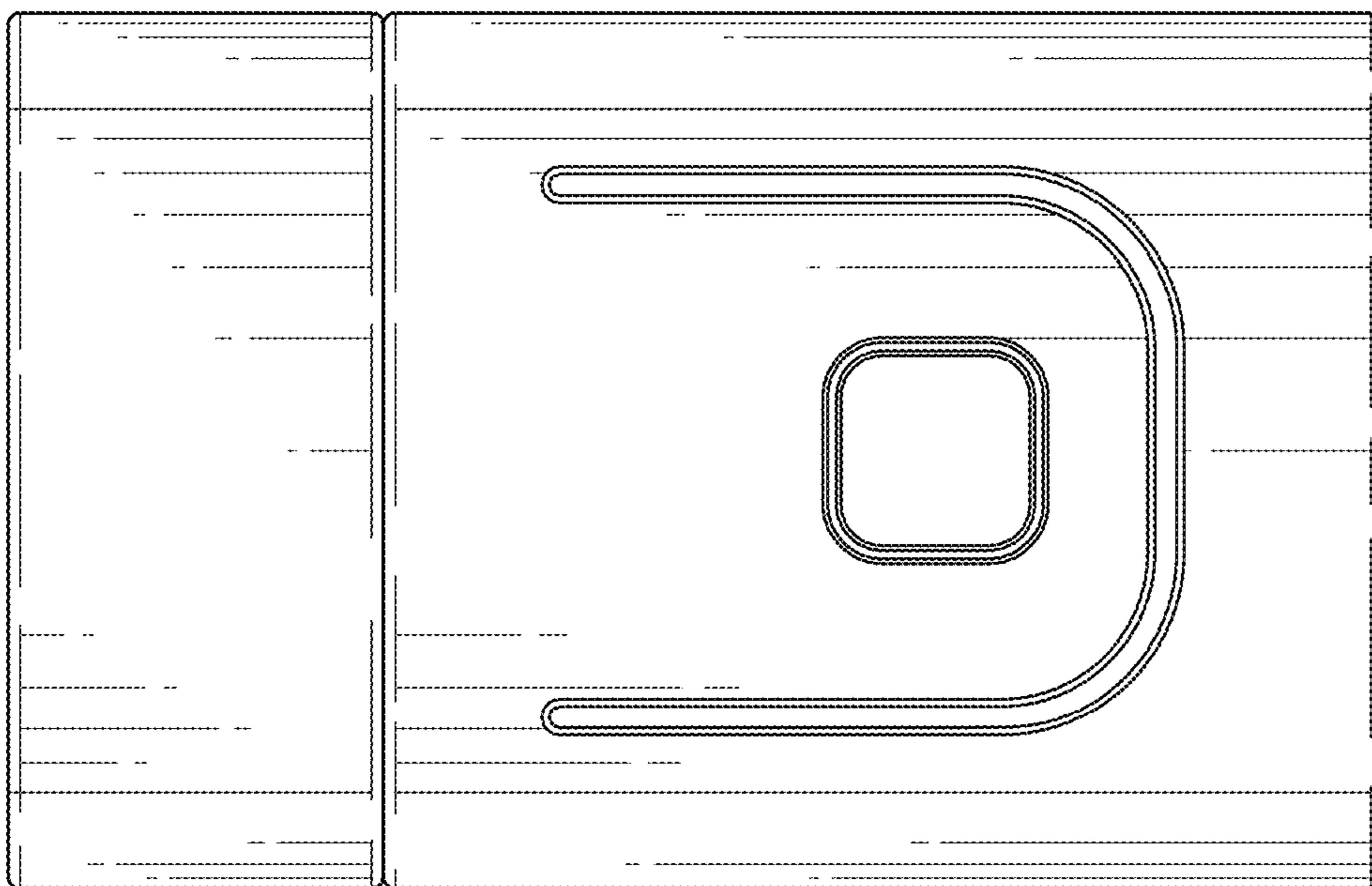


FIG. 3

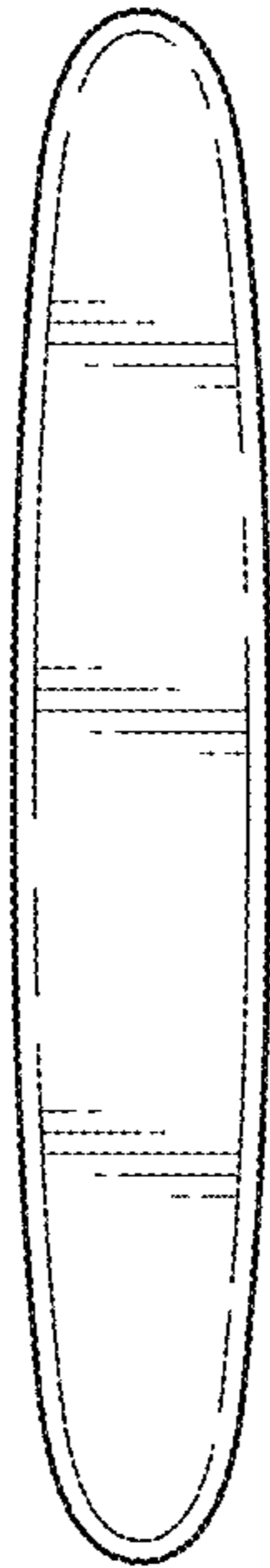


FIG. 4

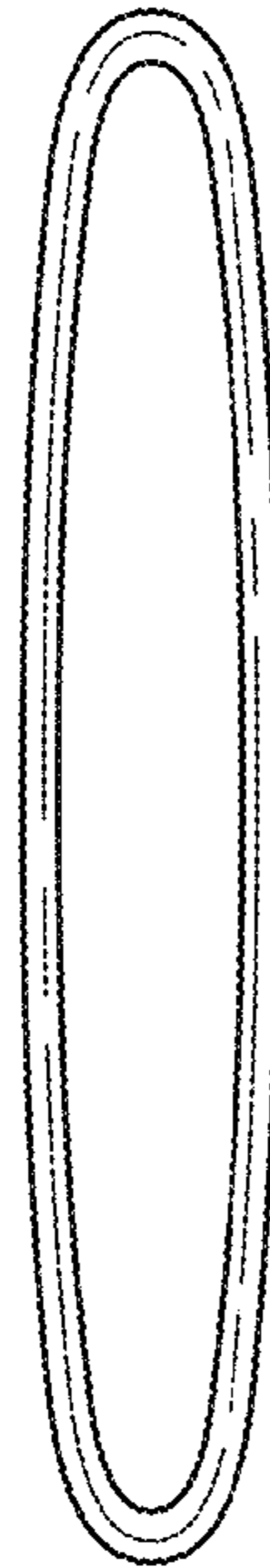


FIG. 5

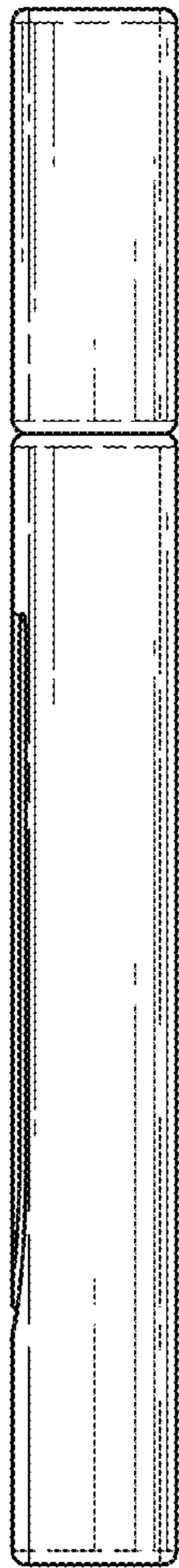


FIG. 6



FIG. 7