

US00D768912S

(12) **United States Design Patent** (10) **Patent No.:** **US D768,912 S**
Wiedemer (45) **Date of Patent:** **** Oct. 11, 2016**

- (54) **LIGHTING FIXTURE**
- (71) Applicant: **Hinkley Lighting, Inc.**, Avon Lake, OH (US)
- (72) Inventor: **Rick Wiedemer**, Rocky River, OH (US)
- (73) Assignee: **HINKLEY LIGHTING, INC.**, Avon Lake, OH (US)
- (**) Term: **15 Years**
- (21) Appl. No.: **29/533,326**
- (22) Filed: **Jul. 16, 2015**

D305,695 S *	1/1990	Segill	D26/86
5,144,541 A *	9/1992	Schonbek	F21V 5/06 362/332
5,181,777 A *	1/1993	Segill	F21V 5/06 362/405
D339,652 S *	9/1993	Segill	D26/86
D383,240 S *	9/1997	Solis	D26/91
5,667,736 A *	9/1997	Chien	F21S 8/035 264/1.37
D438,327 S *	2/2001	Chelf	D26/80
D438,662 S *	3/2001	Chelf	D26/80
D441,895 S *	5/2001	Orozco	D26/85
D574,545 S *	8/2008	Baldele	D26/88
D578,701 S *	10/2008	Schuyler	D26/144
D580,585 S *	11/2008	Otero	D26/88
D592,788 S *	5/2009	Sabernig	D26/83
D592,789 S *	5/2009	Sabernig	D26/83
D593,702 S *	6/2009	Sabernig	D26/88
D605,332 S *	12/2009	Miranda	D26/88
D606,233 S *	12/2009	Benghozi	D26/88
D621,087 S *	8/2010	Nagane	D26/86
D686,771 S *	7/2013	Lastimosa	D26/88
D698,983 S *	2/2014	Rampolla	D26/88
D700,388 S *	2/2014	Sabernig	D26/130
8,992,054 B1 *	3/2015	Grollmus	F21V 1/12 362/351
2014/0153257 A1 *	6/2014	Smith	F21V 21/00 362/355

Related U.S. Application Data

- (62) Division of application No. 29/514,754, filed on Jan. 15, 2015.
- (51) **LOC (10) Cl.** **26-99**
- (52) **U.S. Cl.**
USPC **D26/118**; D26/85; D26/89
- (58) **Field of Classification Search**
USPC D26/80-91, 118, 152, 155
CPC F21S 8/03; F21S 8/033; F21S 8/036;
F21S 8/04; F21S 8/043; F21S 8/046; F21S
8/06; F21S 8/061; F21S 8/063; F21S 8/065;
F21S 8/068; F21V 1/04; F21V 1/06; F21V
1/12; F21V 3/02; F21V 3/023; F21V 5/06
See application file for complete search history.

* cited by examiner

Primary Examiner — Clare E Heflin
(74) *Attorney, Agent, or Firm* — Pearne & Gordon LLP

(57) **CLAIM**
The ornamental design for a lighting fixture, as shown and described.

DESCRIPTION

FIGS. 1-7 illustrate a first embodiment of the lighting fixture.

FIG. 1 is a top perspective view of the first embodiment of the lighting fixture.

FIG. 2 is a bottom perspective view of the first embodiment of the lighting fixture.

FIG. 3 is a front view of the first embodiment of the lighting fixture.

FIG. 4 is a left side of the first embodiment of the lighting fixture.

FIG. 5 is a right side view of the first embodiment of the lighting fixture.

- (56) **References Cited**
U.S. PATENT DOCUMENTS
- | | | | | |
|---------------|---------|-------------|-------|----------------------|
| D45,313 S * | 2/1914 | Schoenhardt | | D26/88 |
| D83,683 S * | 3/1931 | Kopp | | D26/130 |
| D90,938 S * | 10/1933 | Beck | | D26/88 |
| D197,856 S * | 3/1964 | Harper | | D26/152 |
| 3,321,622 A * | 5/1967 | Wellhofer | | F21V 5/06
362/434 |

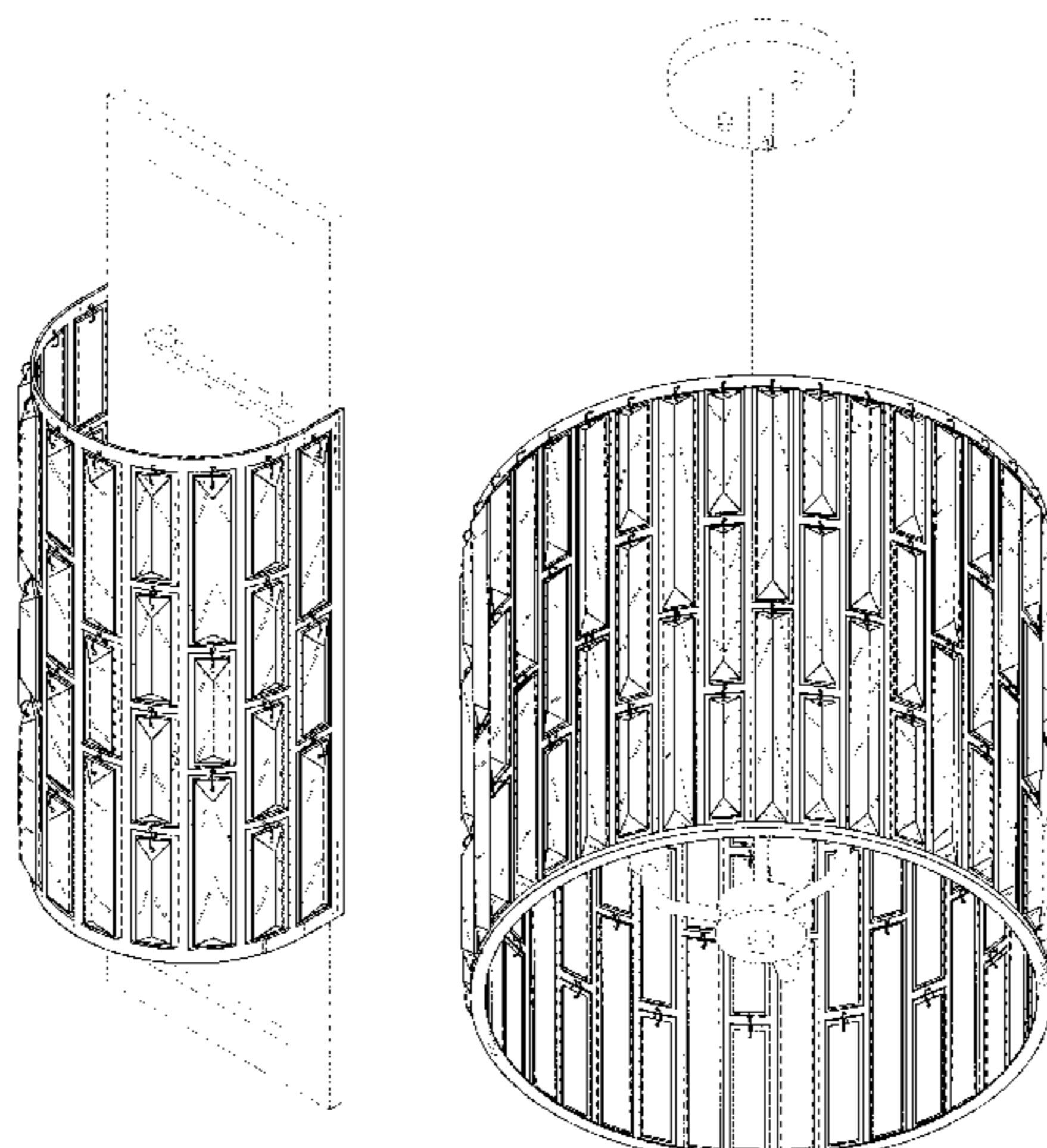


FIG. 6 is a top view of the first embodiment of the lighting fixture.

FIG. 7 is a bottom view of the first embodiment of the lighting fixture.

FIGS. 8-14 illustrate a second embodiment of the lighting fixture. The lampshade in this fixture comprises a faceted pattern that is continuous around the entire perimeter of the lampshade.

FIG. 8 is a top perspective view of the second embodiment of the lighting fixture.

FIG. 9 is a bottom perspective view of the second embodiment of the lighting fixture.

FIG. 10 is a left side view of the second embodiment of the lighting fixture.

FIG. 11 is a front view of the second embodiment of the lighting fixture.

FIG. 12 is a right side view of the second embodiment of the lighting fixture.

FIG. 13 is a top view of the second embodiment of the lighting fixture.

FIG. 14 is a bottom view of the second embodiment of the lighting fixture.

FIGS. 15-21 illustrate a third embodiment of the lighting fixture.

FIG. 15 is a top perspective view of the third embodiment of the lighting fixture.

FIG. 16 is a bottom perspective view of the third embodiment of the lighting fixture.

FIG. 17 is a left side view of the third embodiment of the lighting fixture.

FIG. 18 is a front view of the third embodiment of the lighting fixture.

FIG. 19 is a right side view of the third embodiment of the lighting fixture.

FIG. 20 is a top view of the third embodiment of the lighting fixture.

FIG. 21 is a bottom view of the third embodiment of the lighting fixture.

FIGS. 22-28 illustrate a fourth embodiment of the lighting fixture. The lampshade in this fixture comprises a faceted pattern that is continuous around the entire perimeter of the lampshade.

FIG. 22 is a top perspective view of the fourth embodiment of the lighting fixture.

FIG. 23 is a bottom perspective view of the fourth embodiment of the lighting fixture.

FIG. 24 is a left side view of the fourth embodiment of the lighting fixture.

FIG. 25 is a front view of the fourth embodiment of the lighting fixture.

FIG. 26 is a right side view of the fourth embodiment of the lighting fixture.

FIG. 27 is a top view of the fourth embodiment of the lighting fixture.

FIG. 28 is a bottom view of the fourth embodiment of the lighting fixture.

FIGS. 29-35 illustrate a fifth embodiment of the lighting fixture. The lampshade in this fixture comprises a faceted pattern that is continuous around the entire perimeter of the lampshade.

FIG. 29 is a top perspective view of the fifth embodiment of the lighting fixture.

FIG. 30 is a bottom perspective view of the fifth embodiment of the lighting fixture.

FIG. 31 is a left side view of the fifth embodiment of the lighting fixture.

FIG. 32 is a front view of the fifth embodiment of the lighting fixture.

FIG. 33 is a right side view of the fifth embodiment of the lighting fixture.

FIG. 34 is a top view of the fifth embodiment of the lighting fixture.

FIG. 35 is a bottom view of the fifth embodiment of the lighting fixture.

FIGS. 36-42 illustrate a sixth embodiment of the lighting fixture. The lampshade in this fixture comprises a faceted pattern that is continuous around the entire perimeter of the lampshade.

FIG. 36 is a top perspective view of the sixth embodiment of the lighting fixture.

FIG. 37 is a bottom perspective view of the sixth embodiment of the lighting fixture.

FIG. 38 is a left side view of the sixth embodiment of the lighting fixture.

FIG. 39 is a front view of the sixth embodiment of the lighting fixture.

FIG. 40 is a right side view of the sixth embodiment of the lighting fixture.

FIG. 41 is a top view of the sixth embodiment of the lighting fixture.

FIG. 42 is a bottom view of the sixth embodiment of the lighting fixture.

FIGS. 43-49 illustrate a seventh embodiment of the lighting fixture. The lampshade in this fixture comprises a faceted pattern that is continuous around the entire perimeter of the lampshade.

FIG. 43 is a top perspective view of the seventh embodiment of the lighting fixture.

FIG. 44 is a bottom perspective view of the seventh embodiment of the lighting fixture.

FIG. 45 is a left side view of the seventh embodiment of the lighting fixture.

FIG. 46 is a front view of the seventh embodiment of the lighting fixture.

FIG. 47 is a right side view of the seventh embodiment of the lighting fixture.

FIG. 48 is a top view of the seventh embodiment of the lighting fixture; and,

FIG. 49 is a bottom view of the seventh embodiment of the lighting fixture.

The broken lines shown in FIGS. 9, 14, 30 and 35 illustrating a circular perimeter adjacent the bottom portion of the lampshade indicate a boundary of the claimed design. The other broken lines shown on the drawings depict portions of the lighting fixture that form no part of the claimed design.

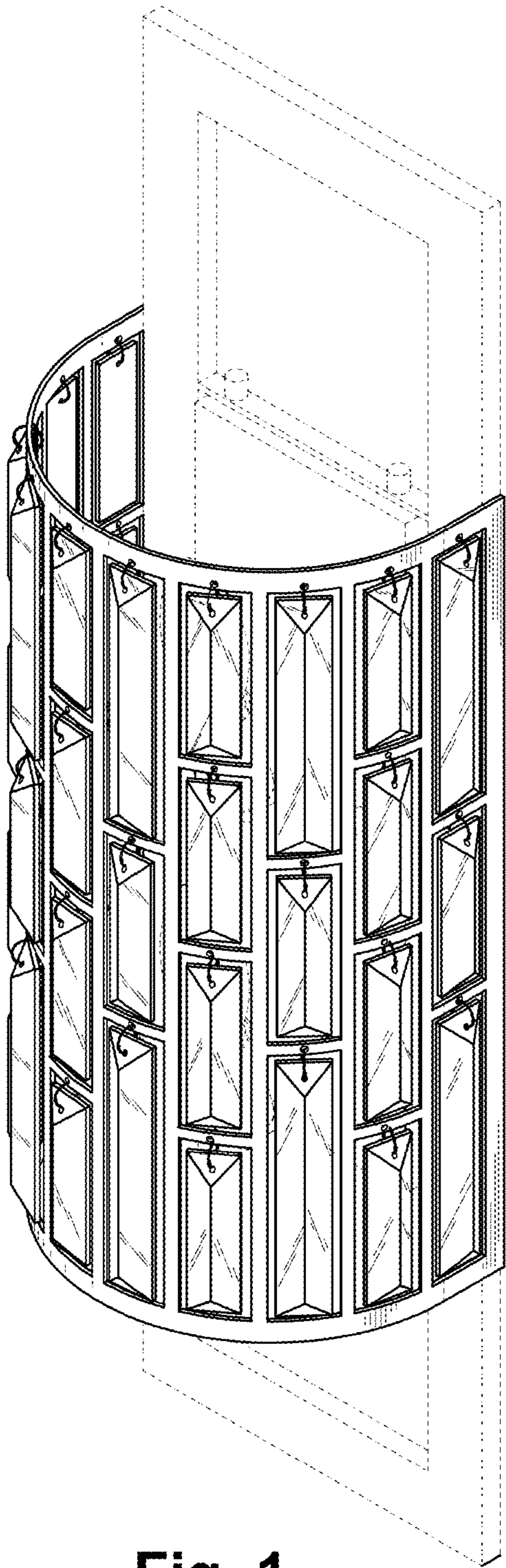


Fig. 1

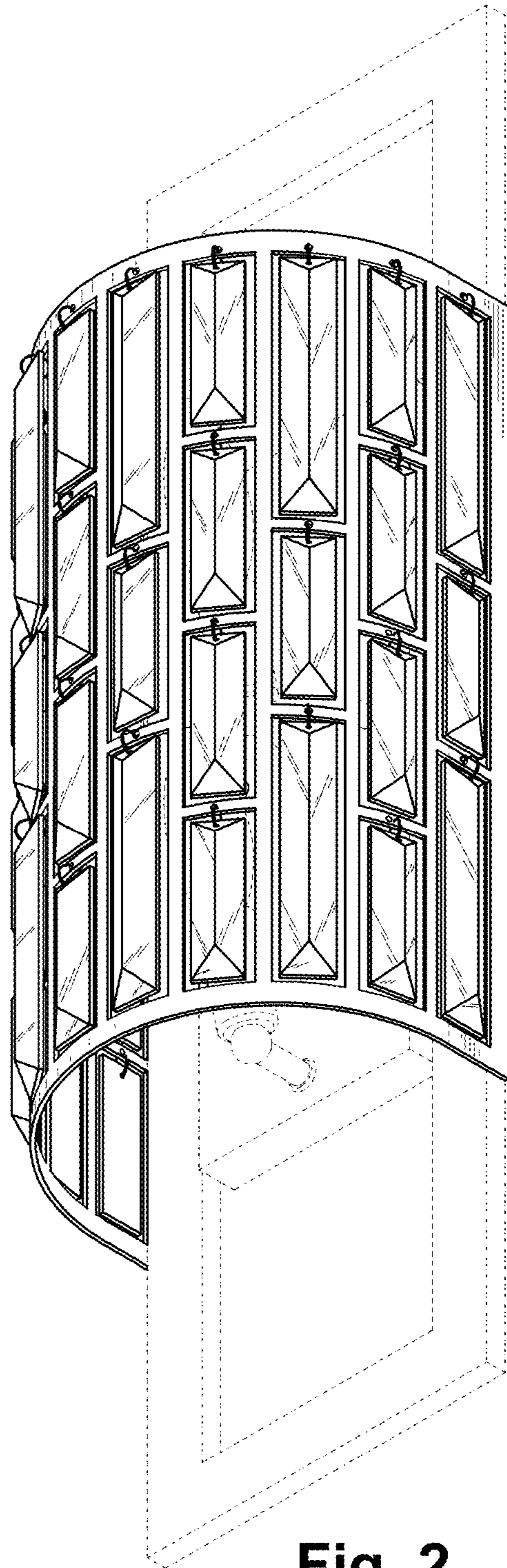


Fig. 2

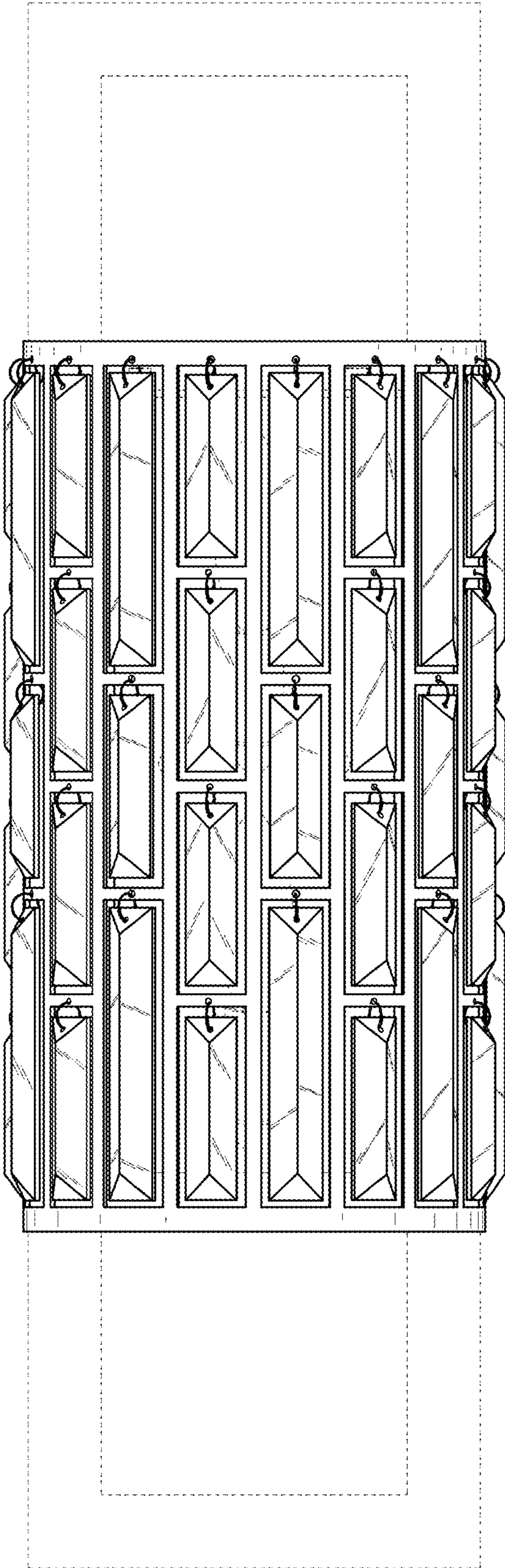


Fig. 3

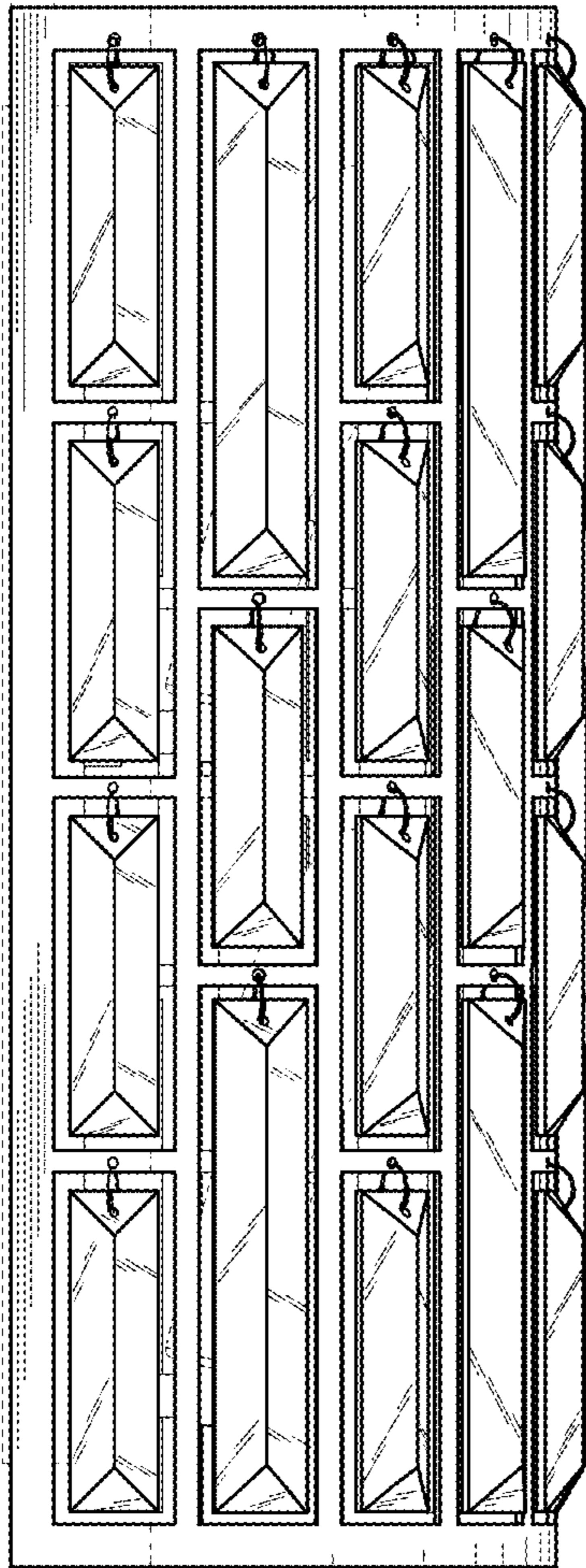


Fig. 4

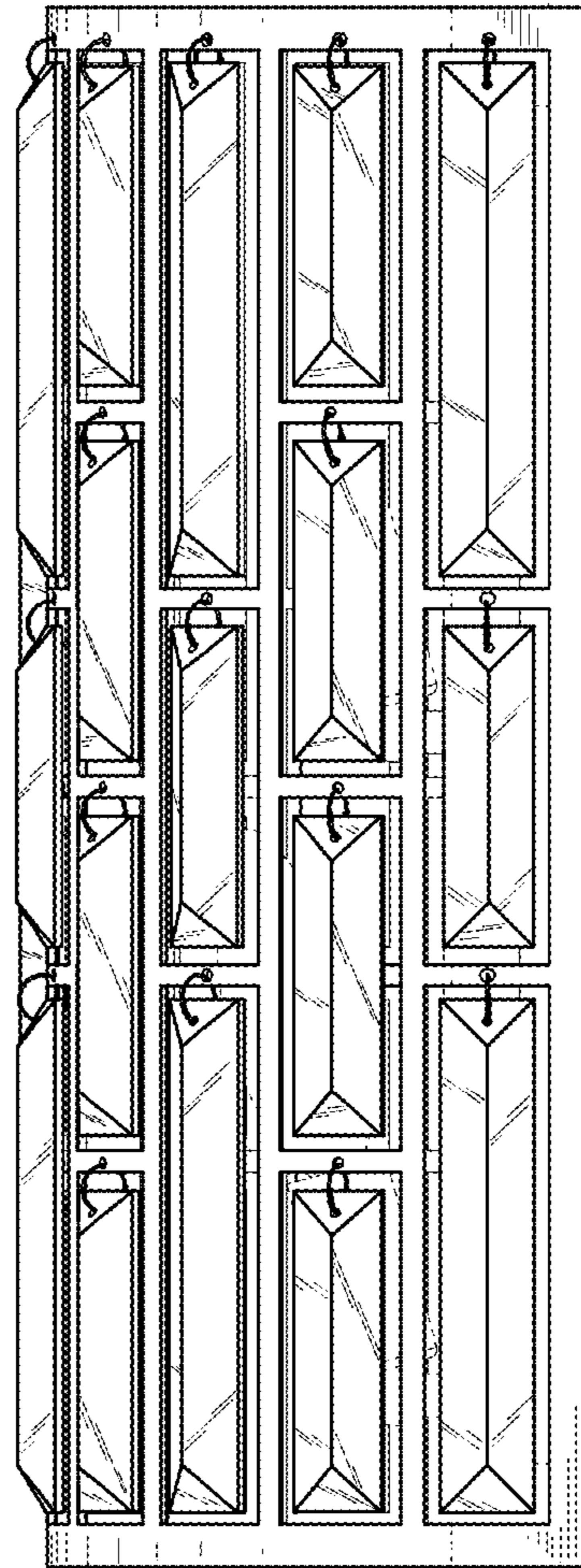


Fig. 5

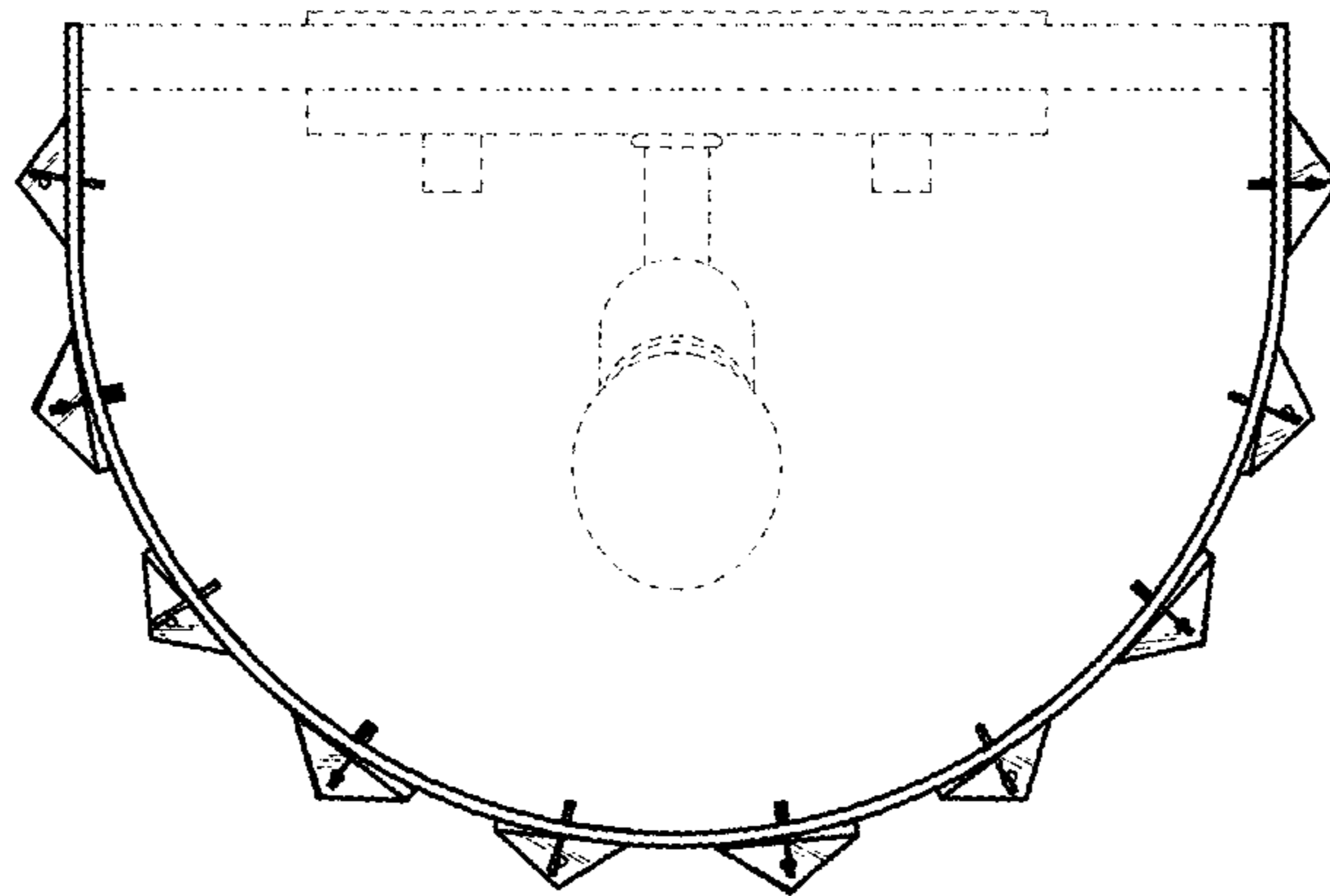


Fig. 6

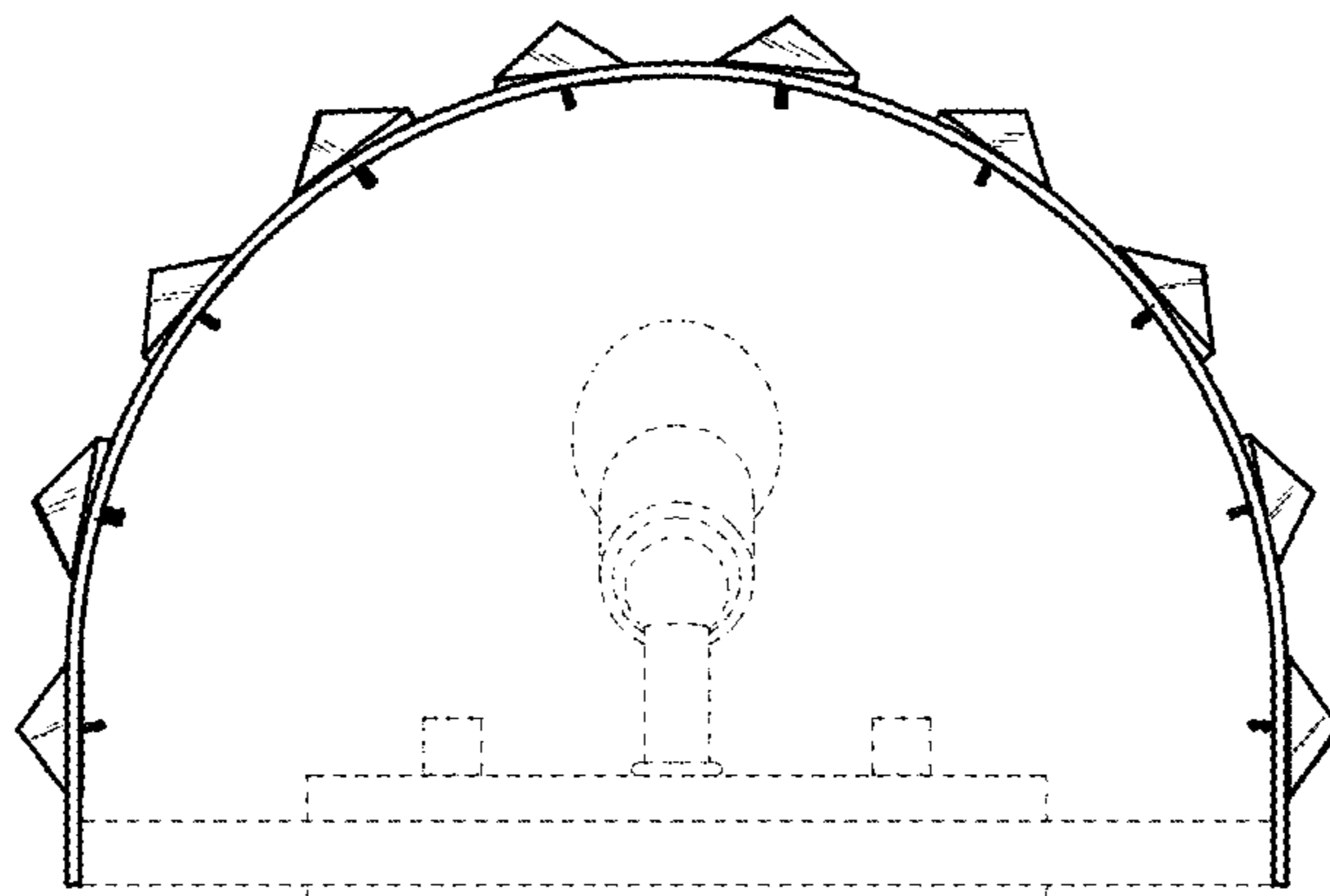


Fig. 7

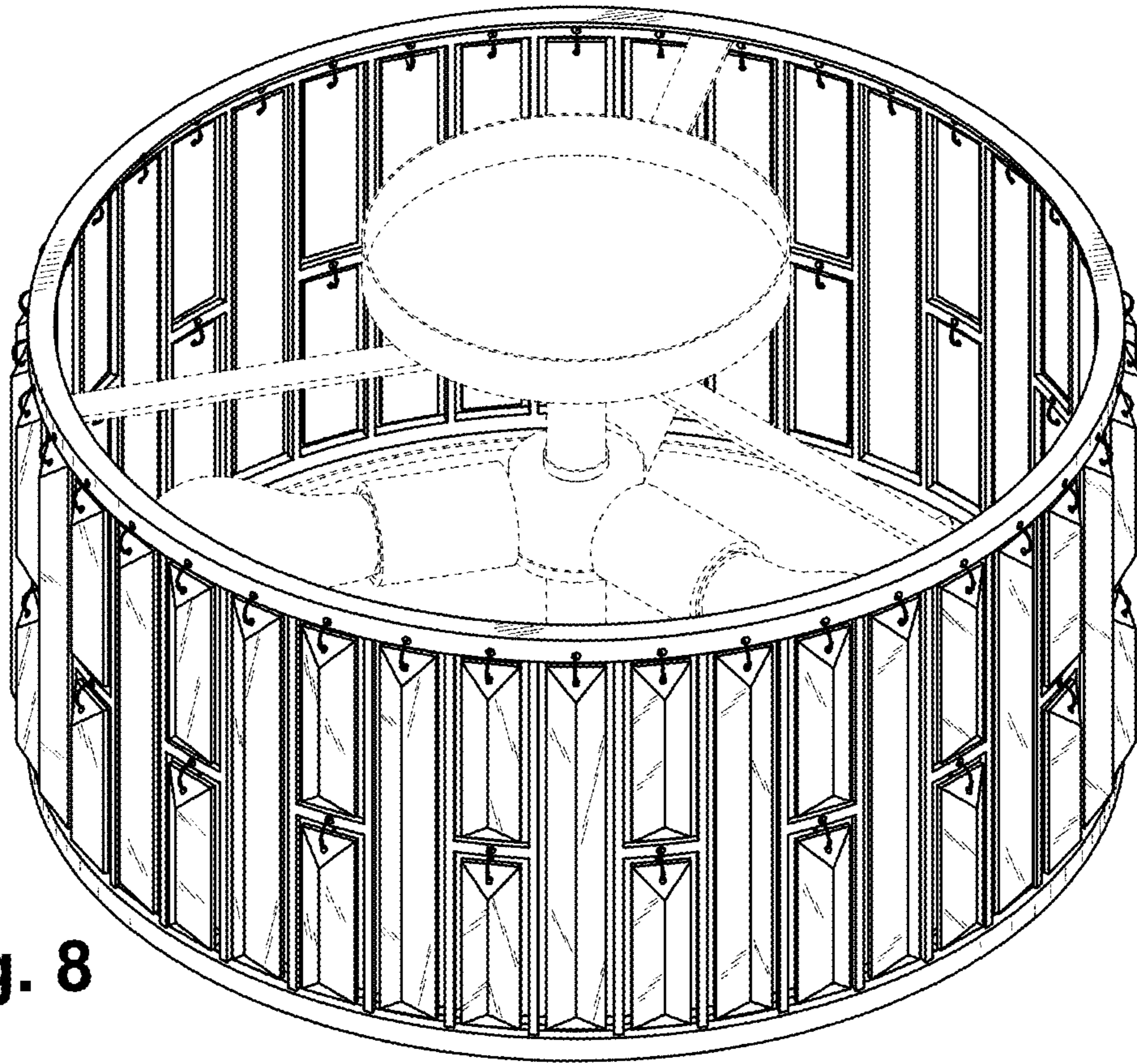


Fig. 8

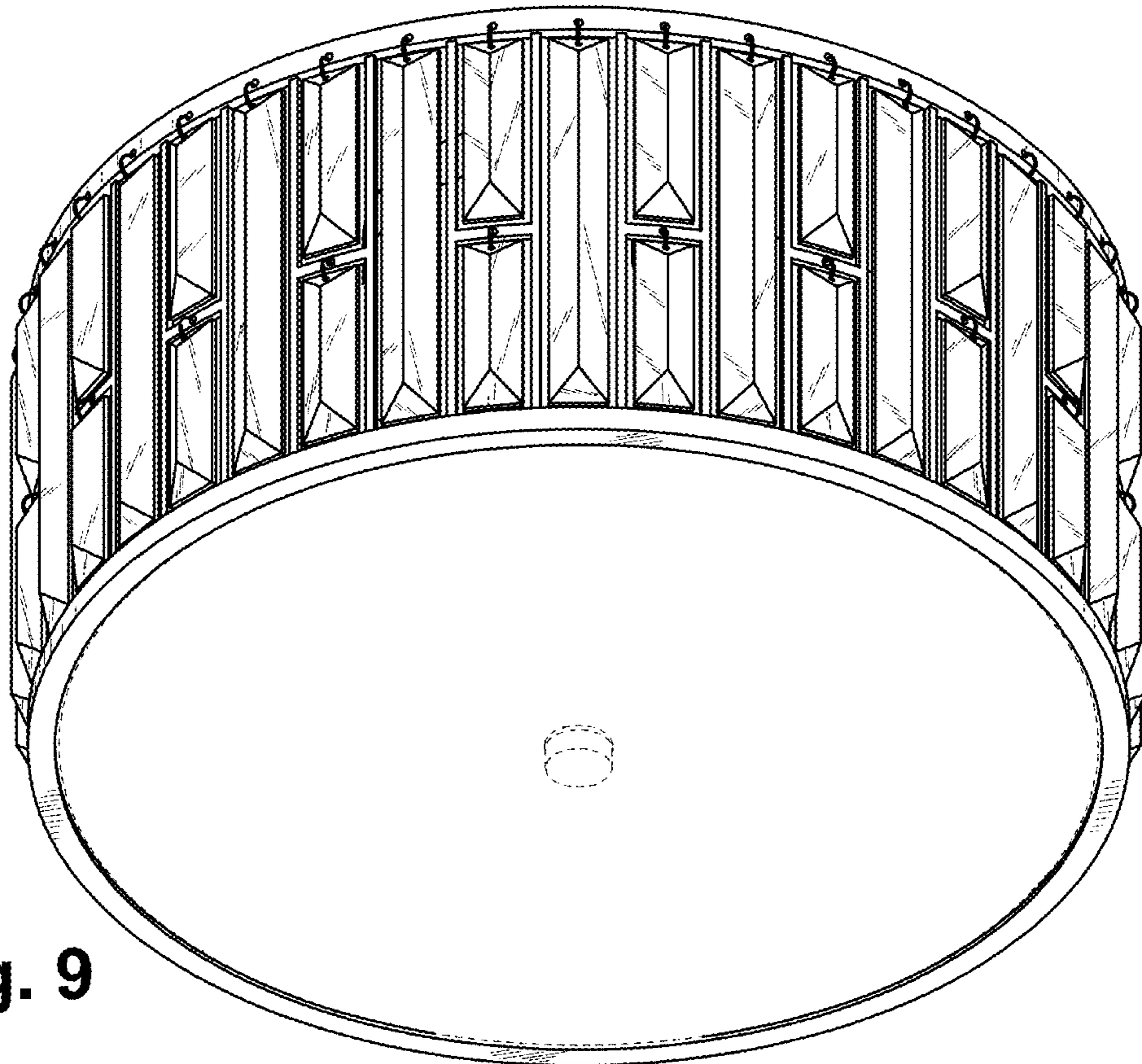


Fig. 9

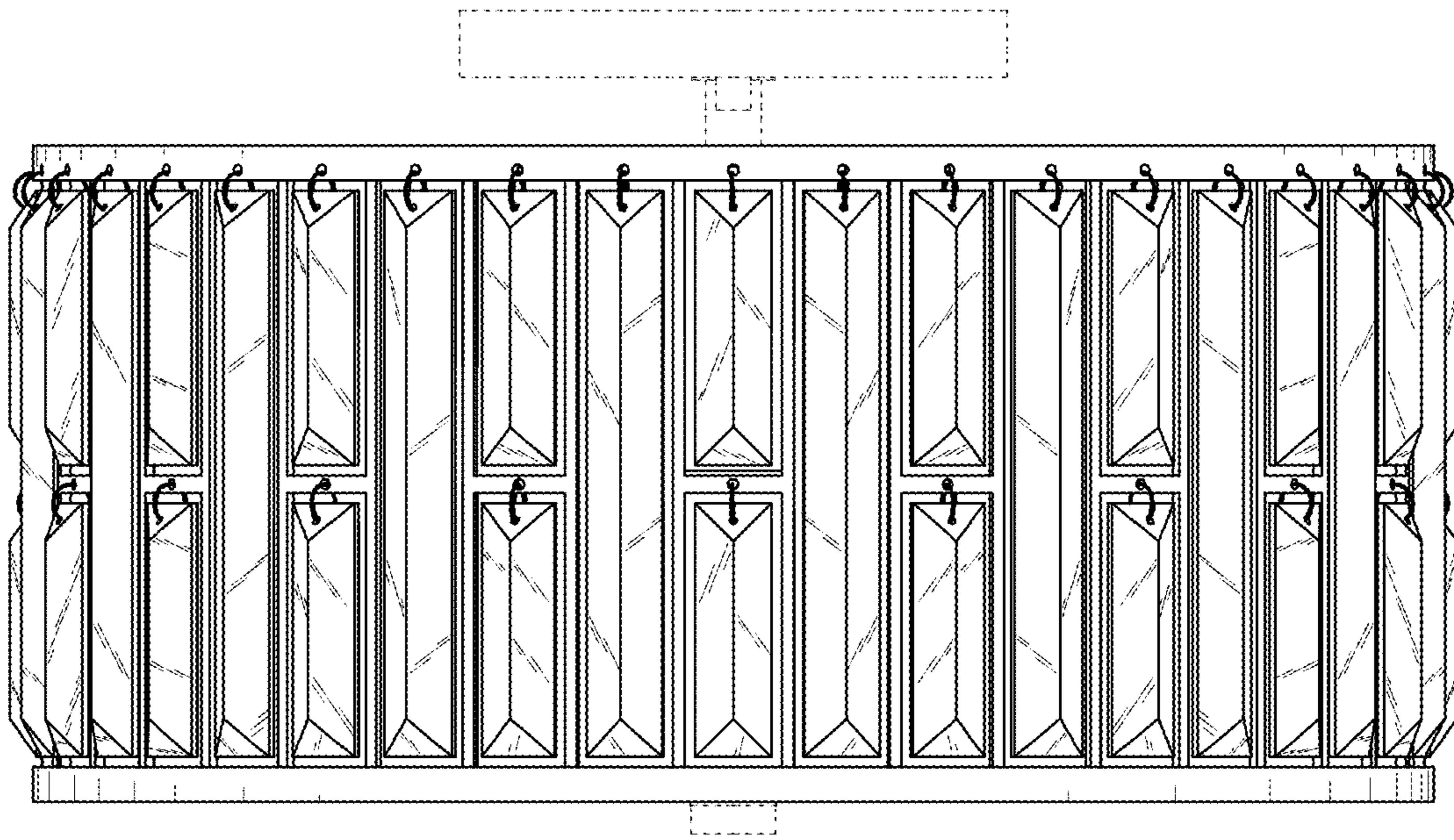


Fig. 10

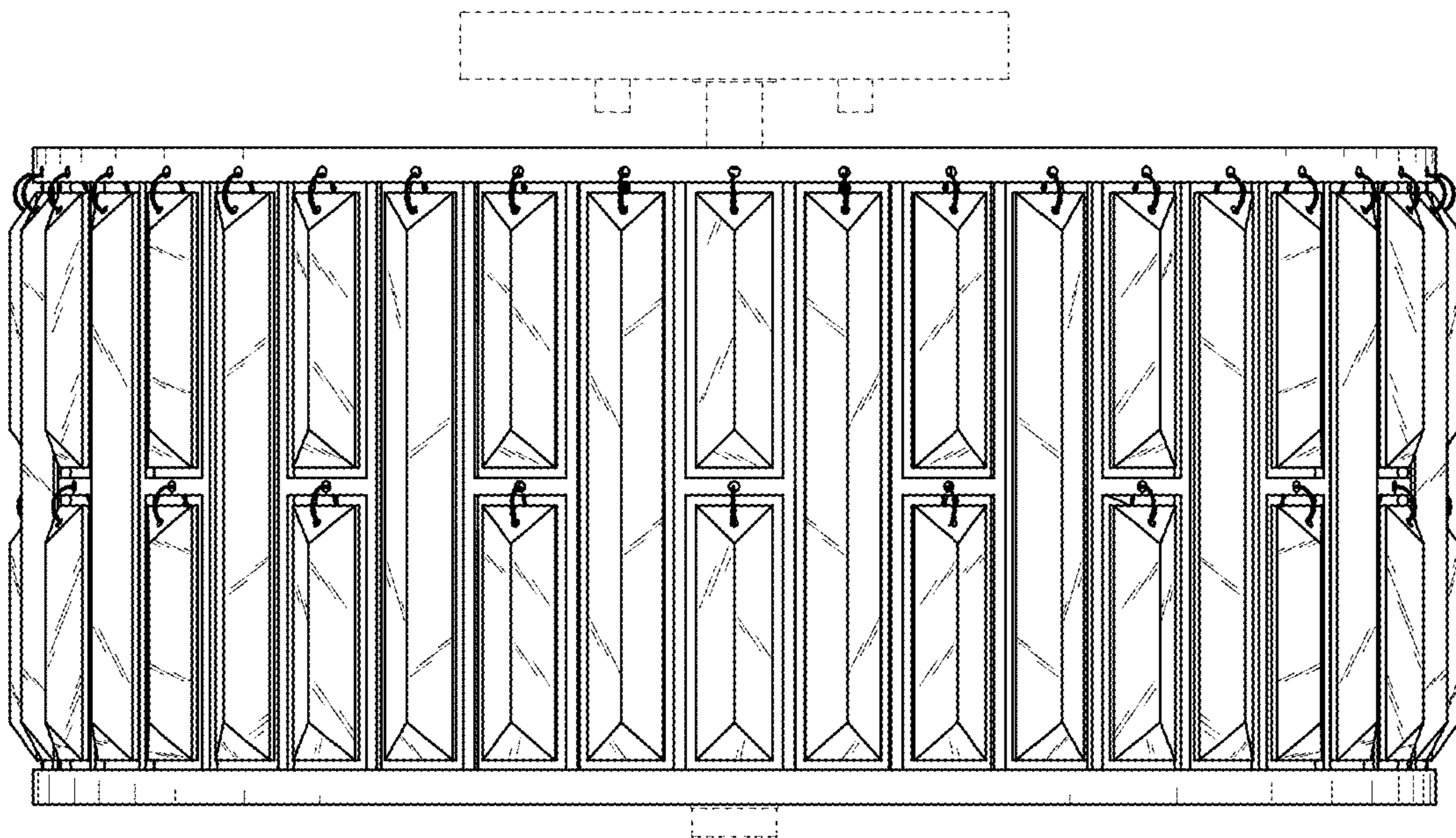


Fig. 11

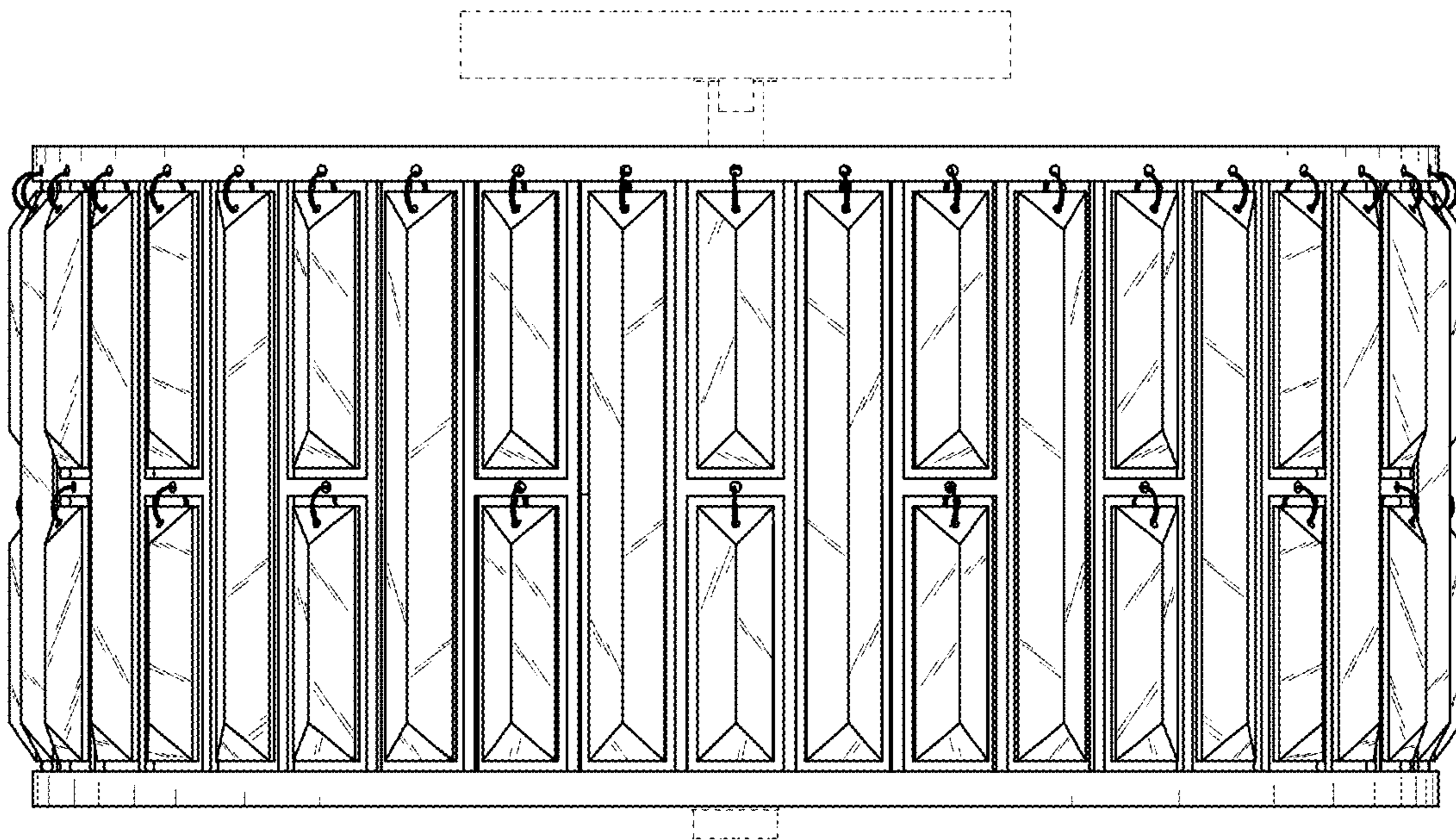


Fig. 12

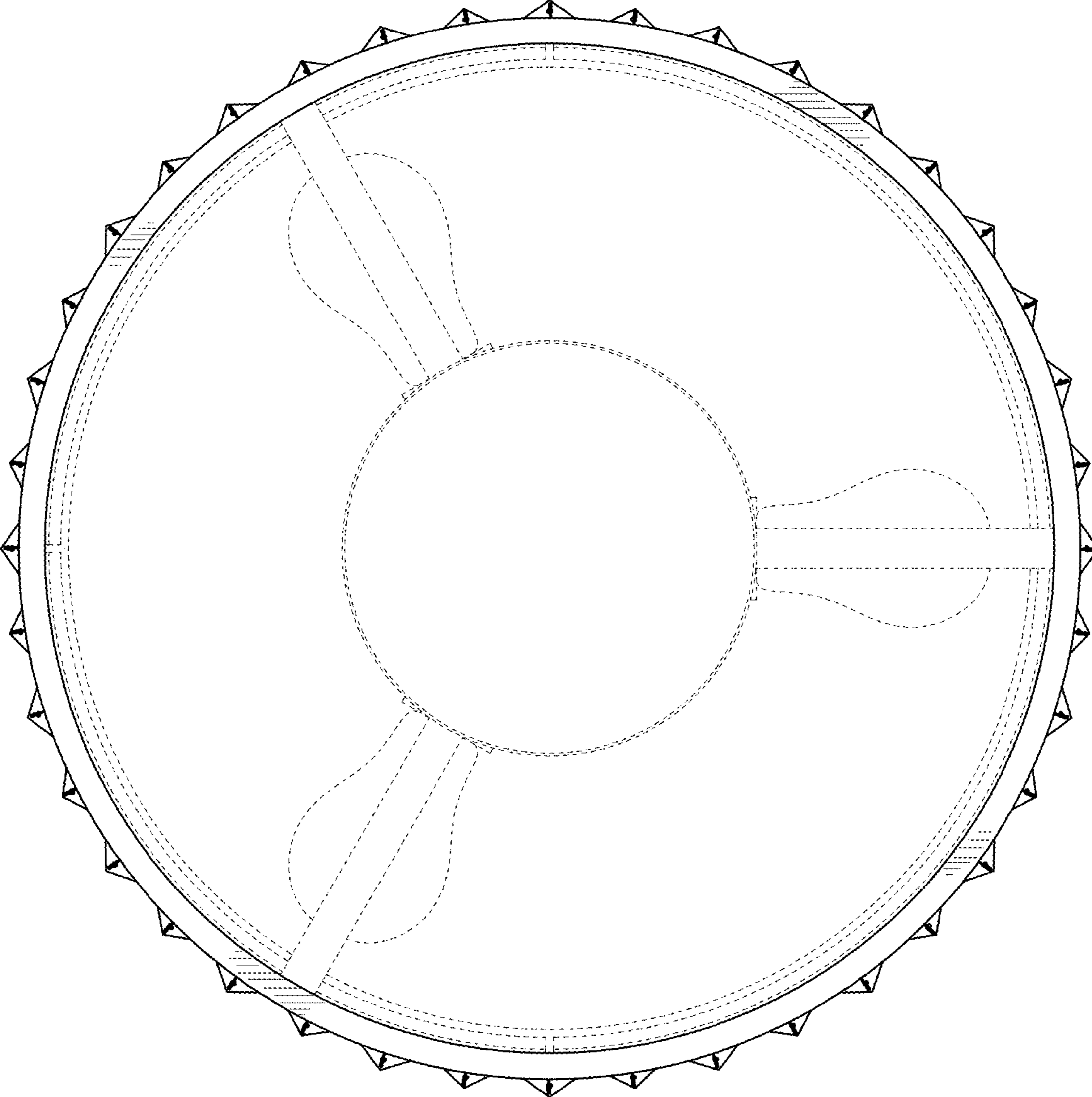


Fig. 13

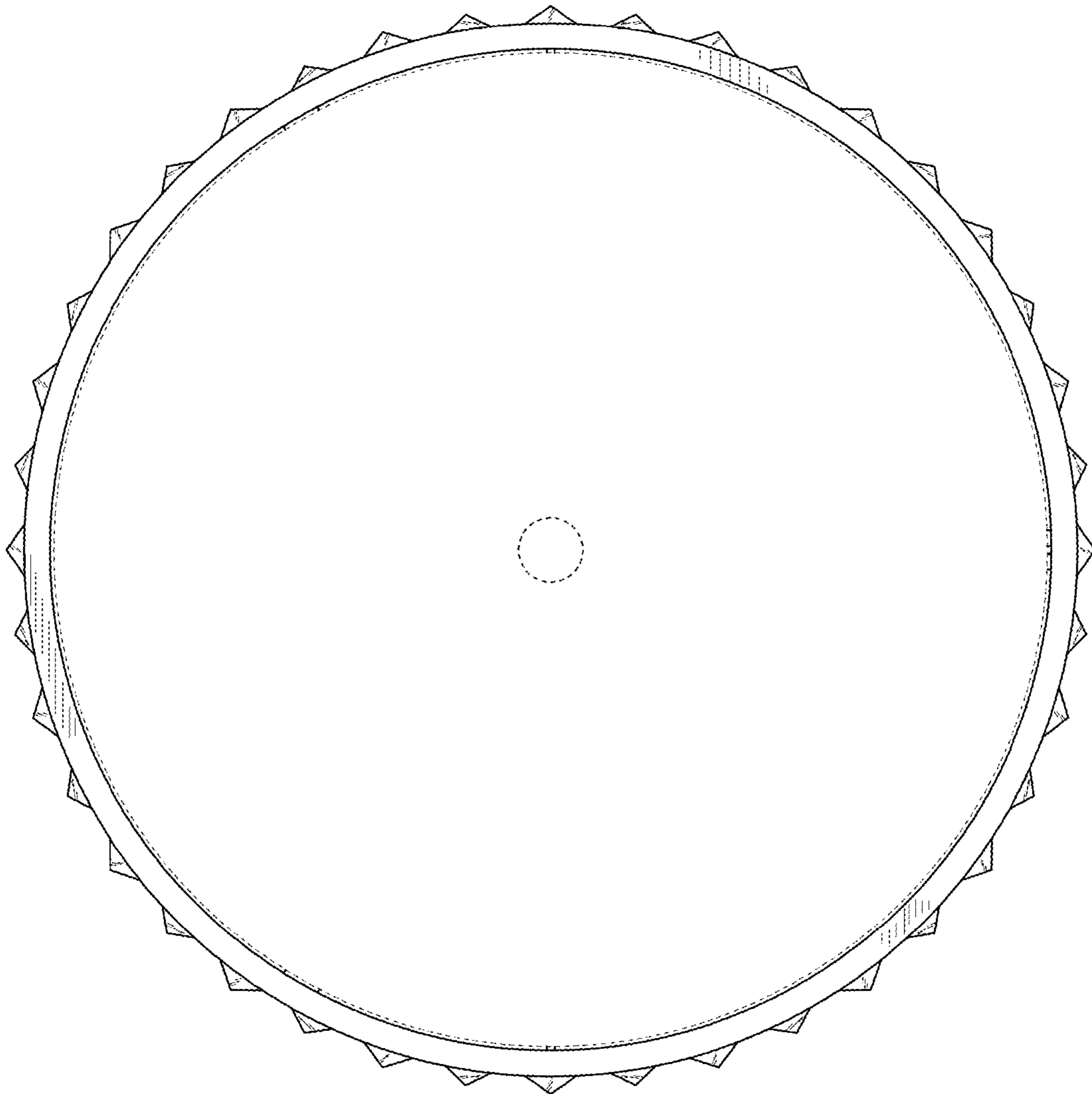


Fig. 14

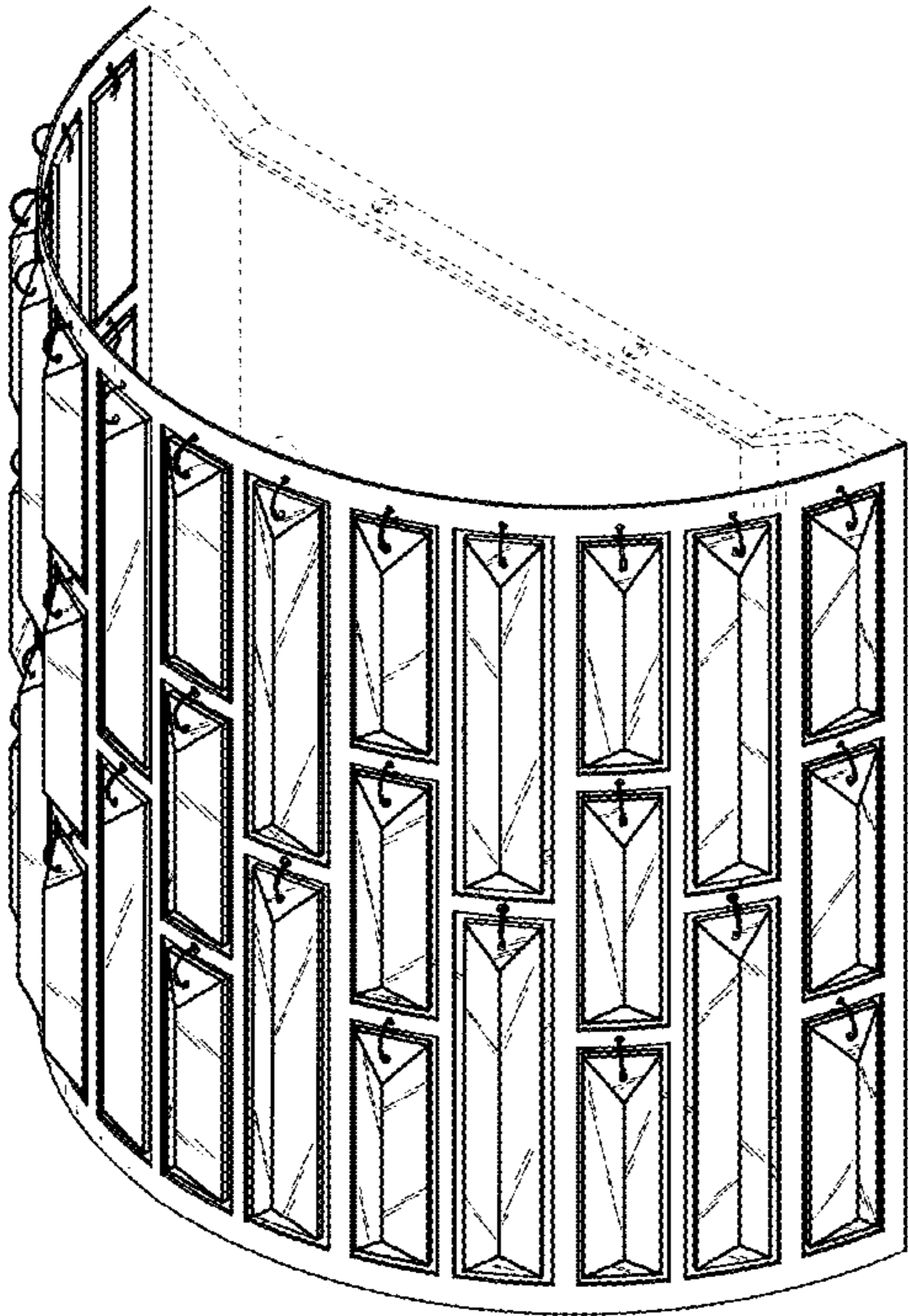


Fig. 15

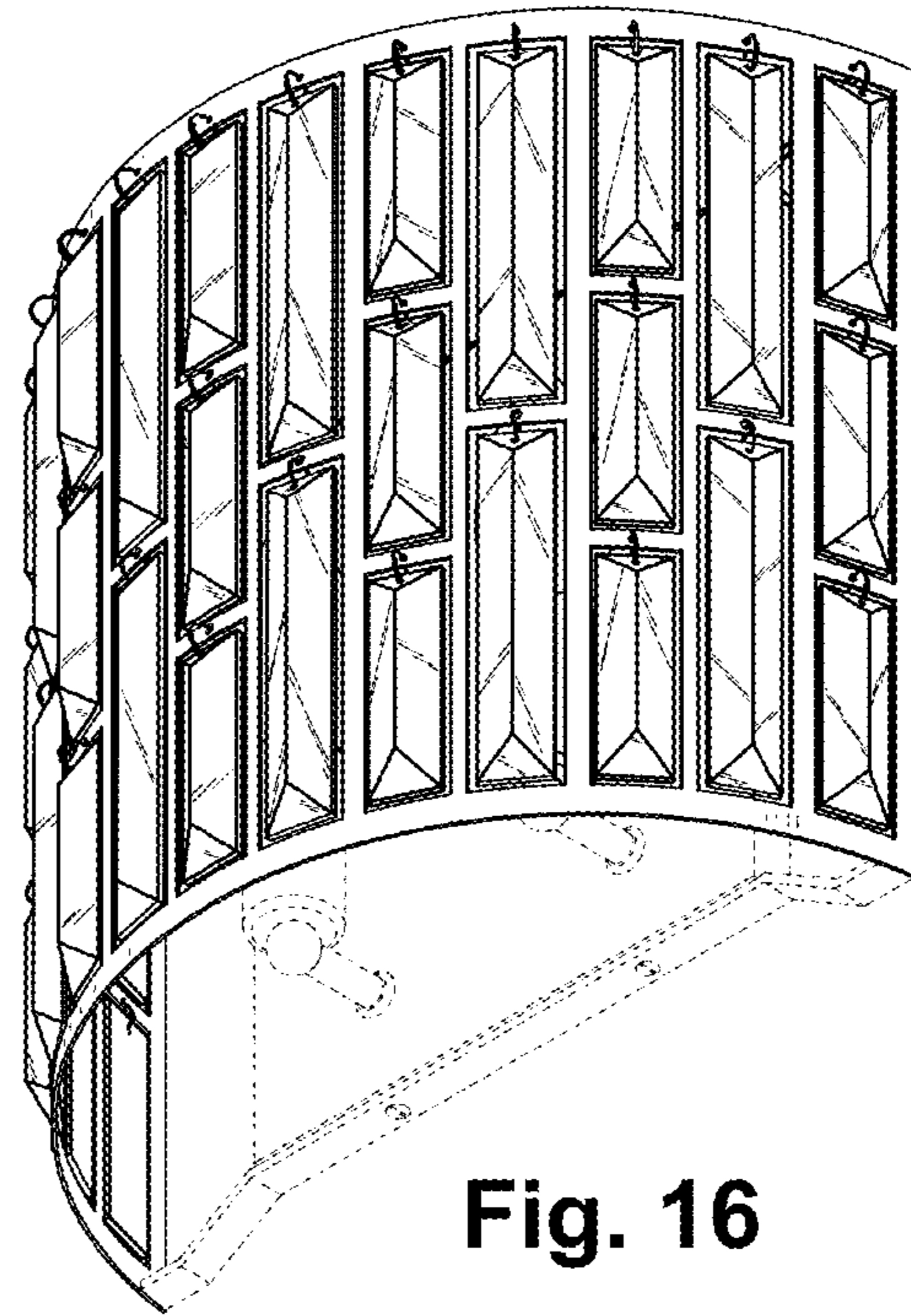


Fig. 16

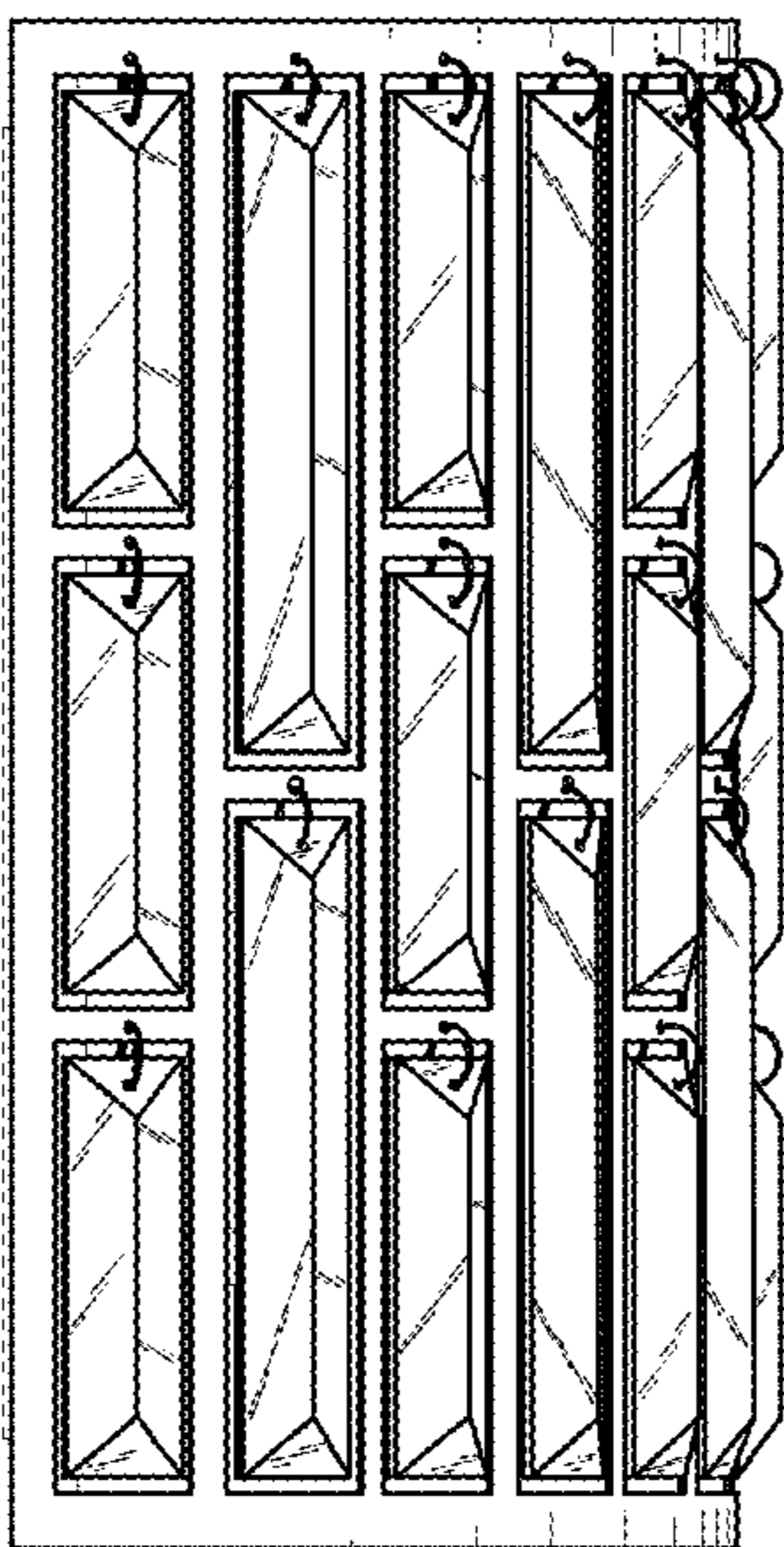


Fig. 17

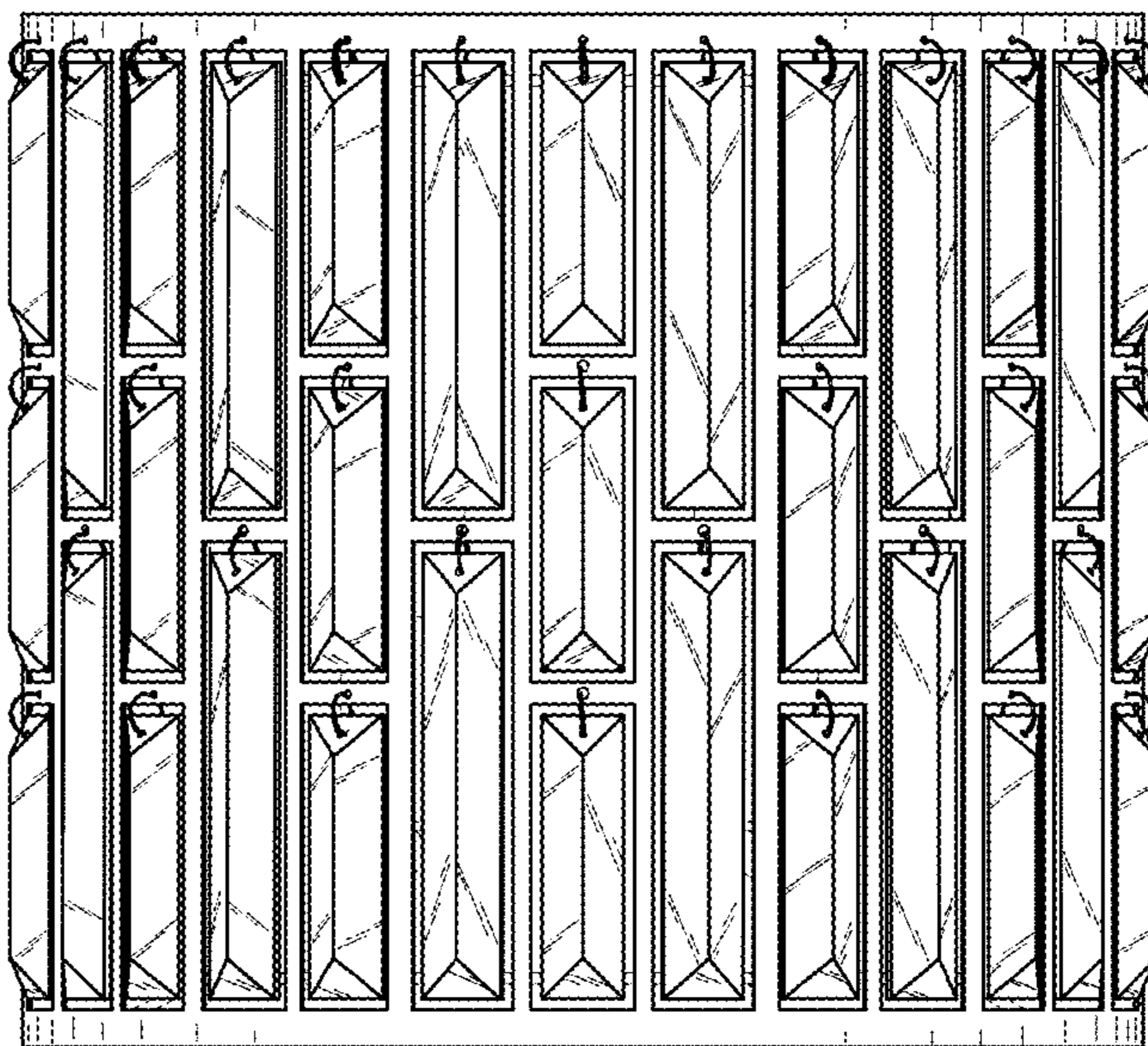


Fig. 18

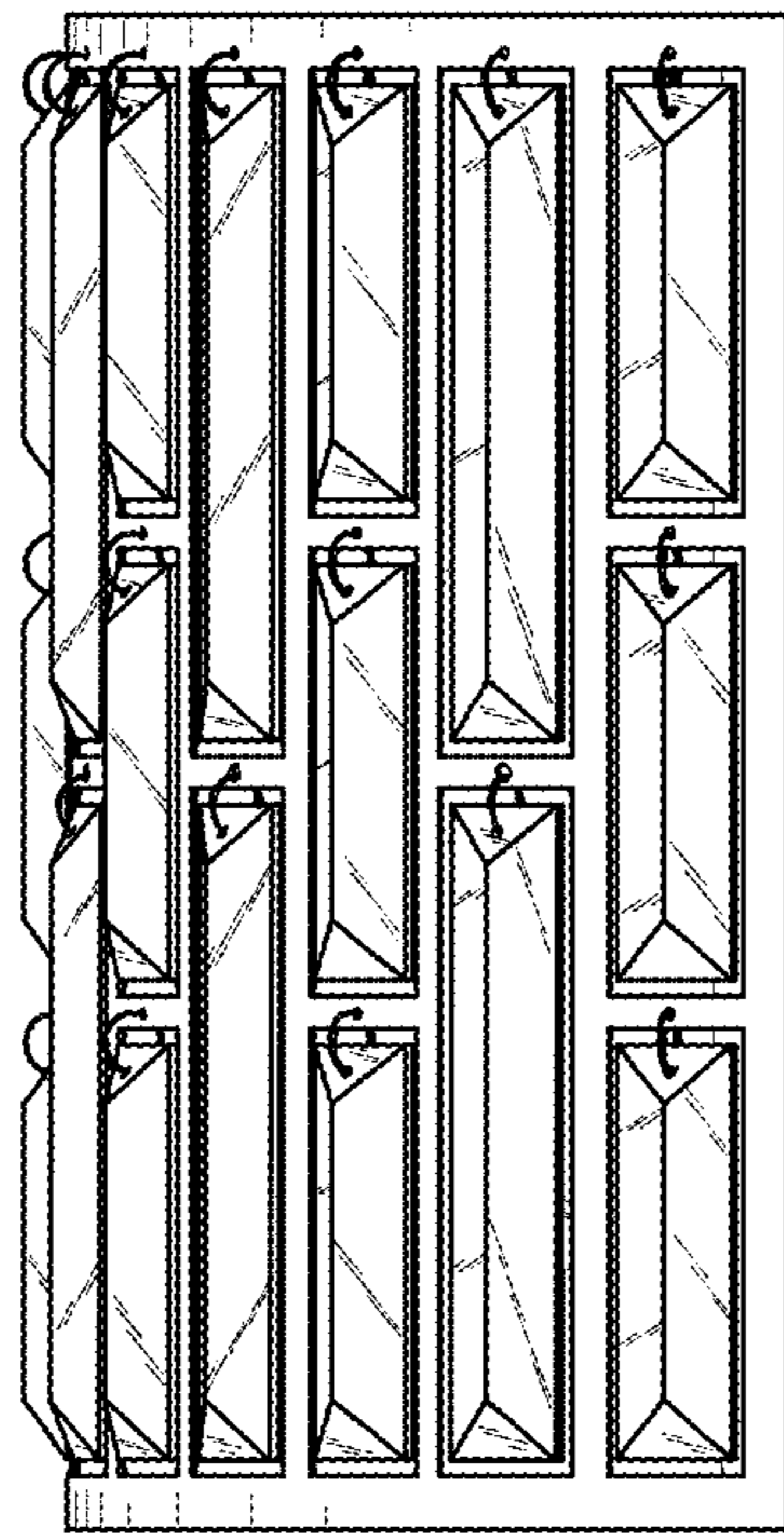


Fig. 19

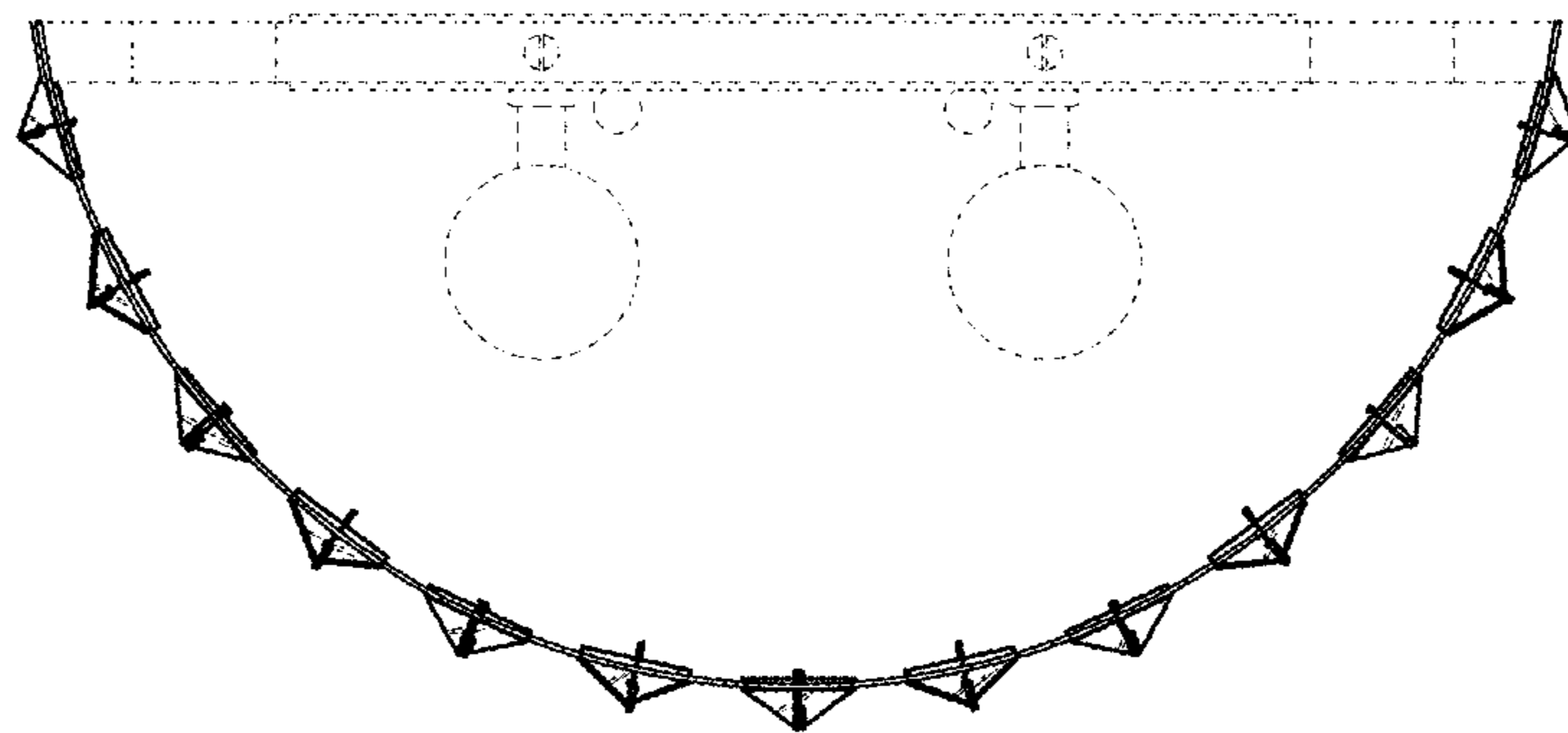


Fig. 20

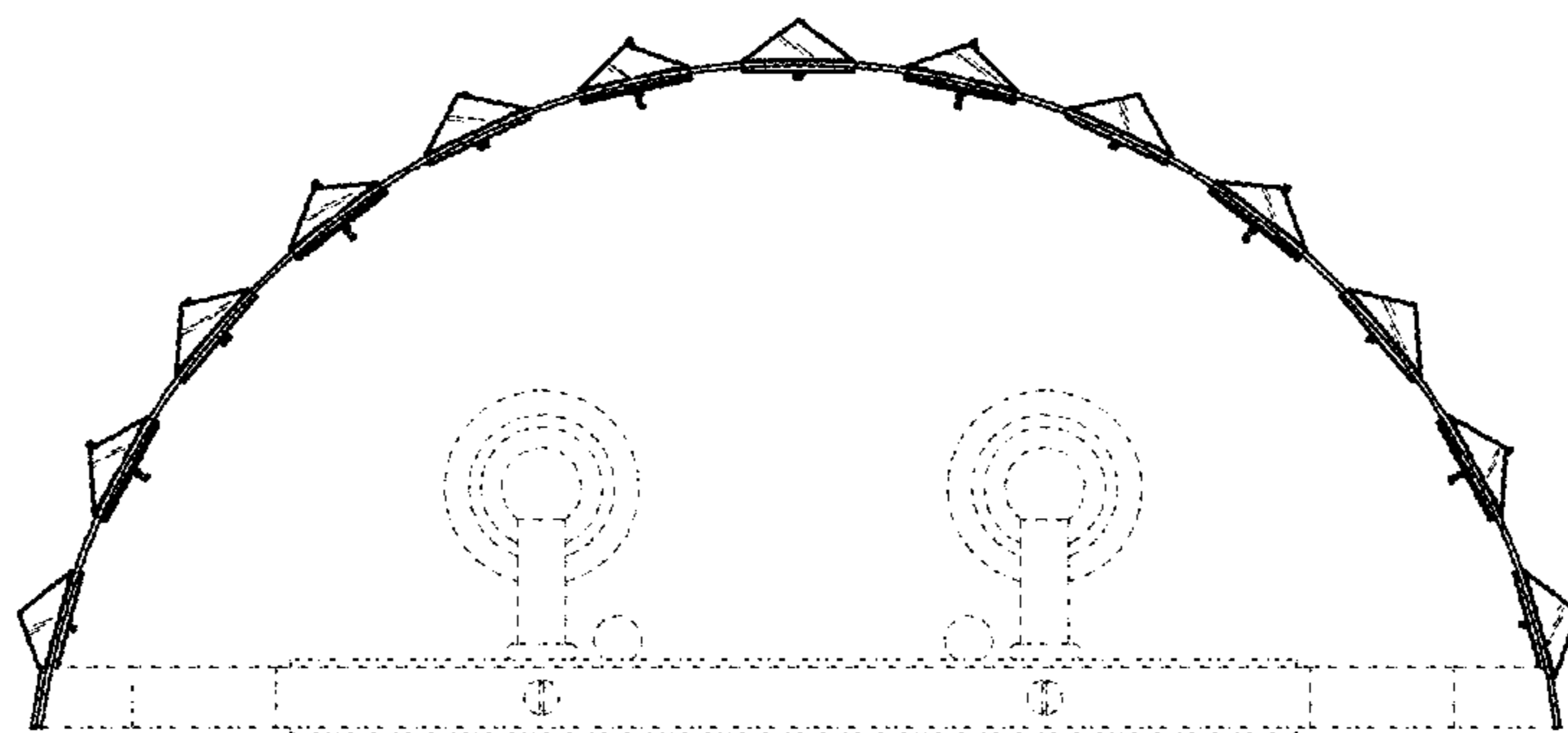
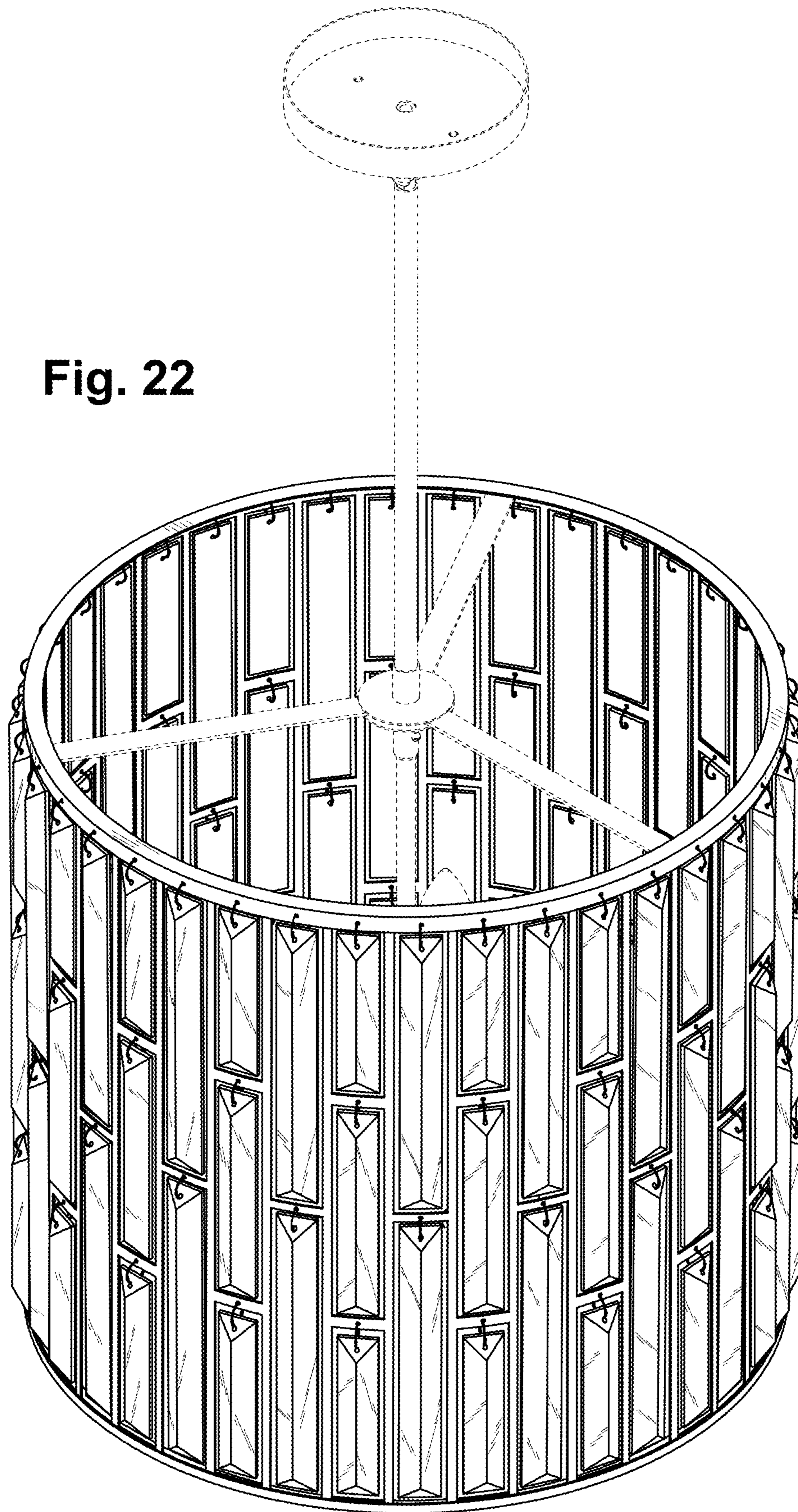


Fig. 21

Fig. 22



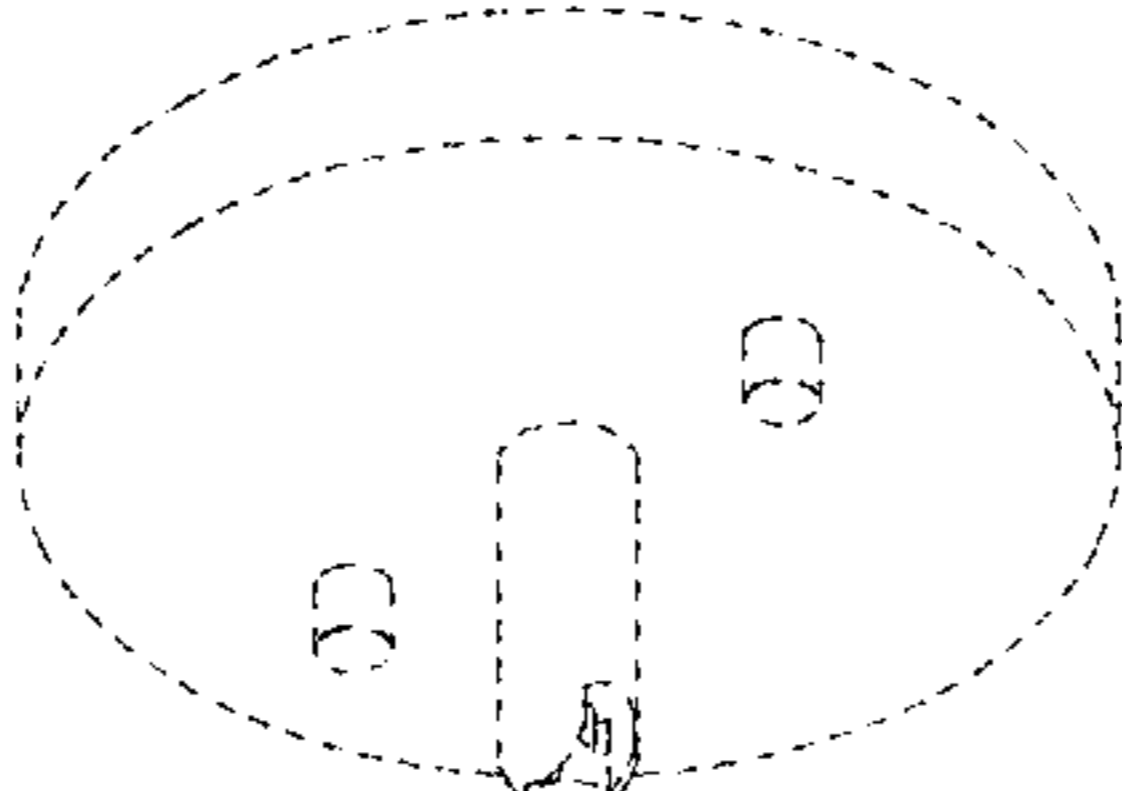


Fig. 23

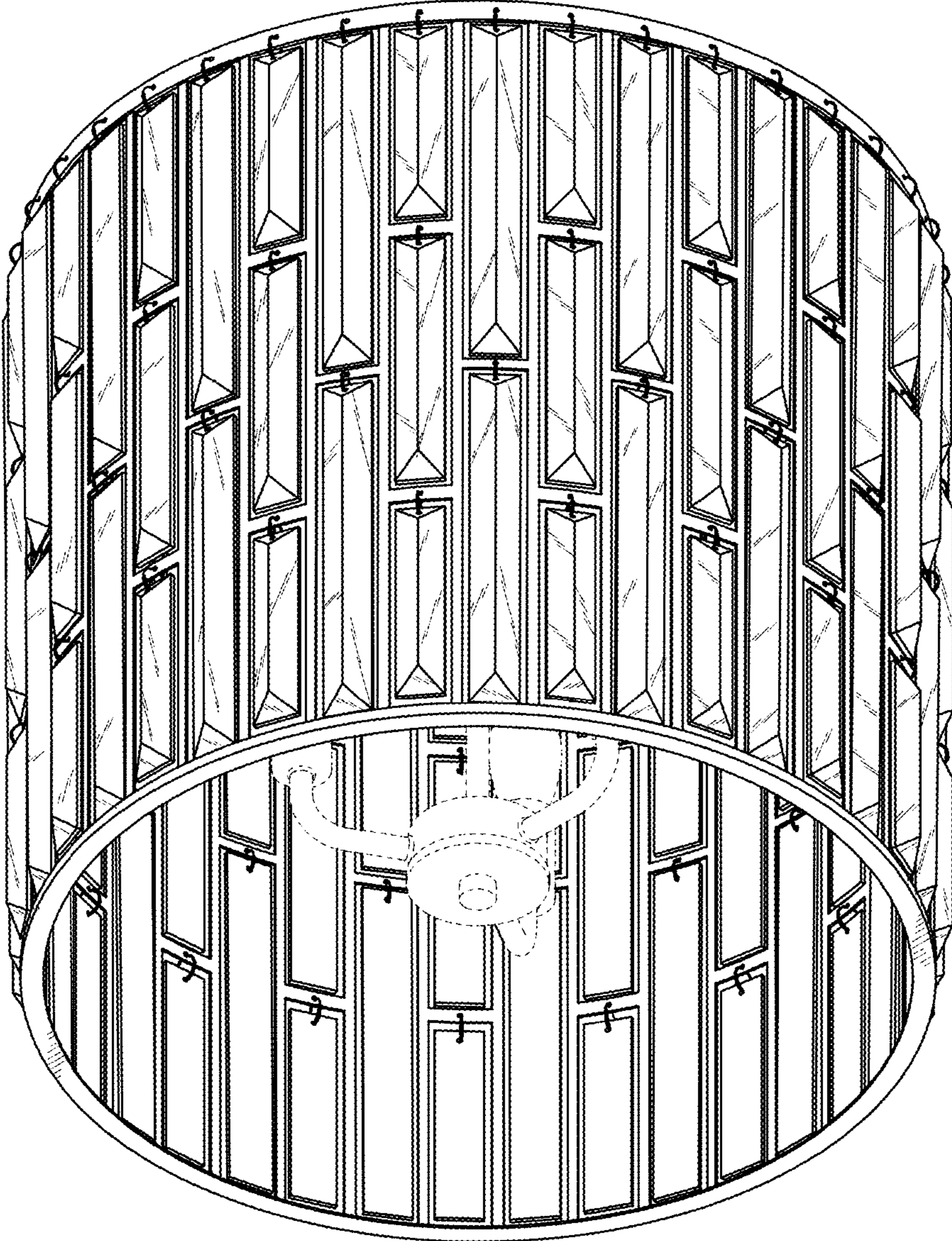


Fig. 24

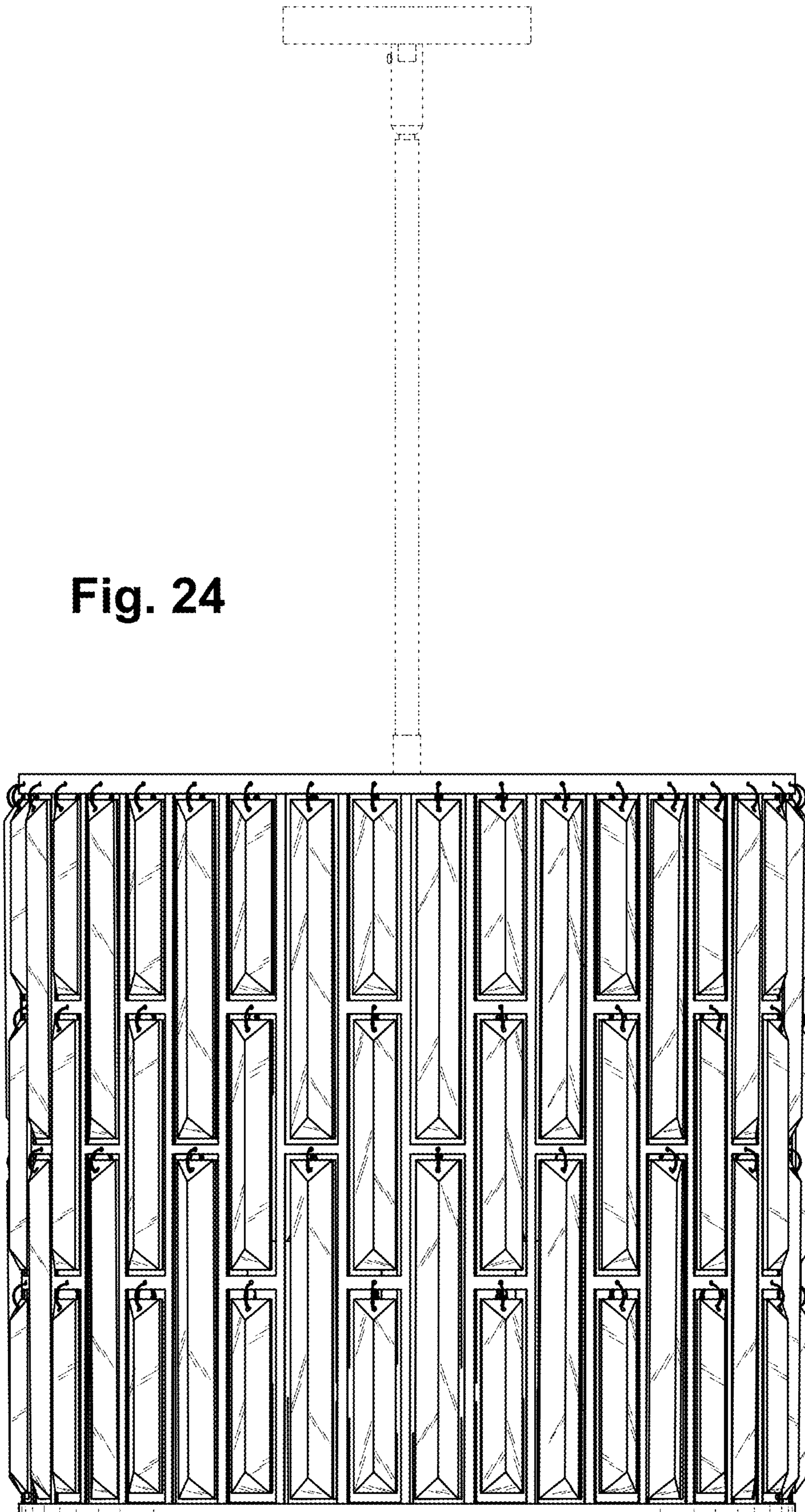


Fig. 25

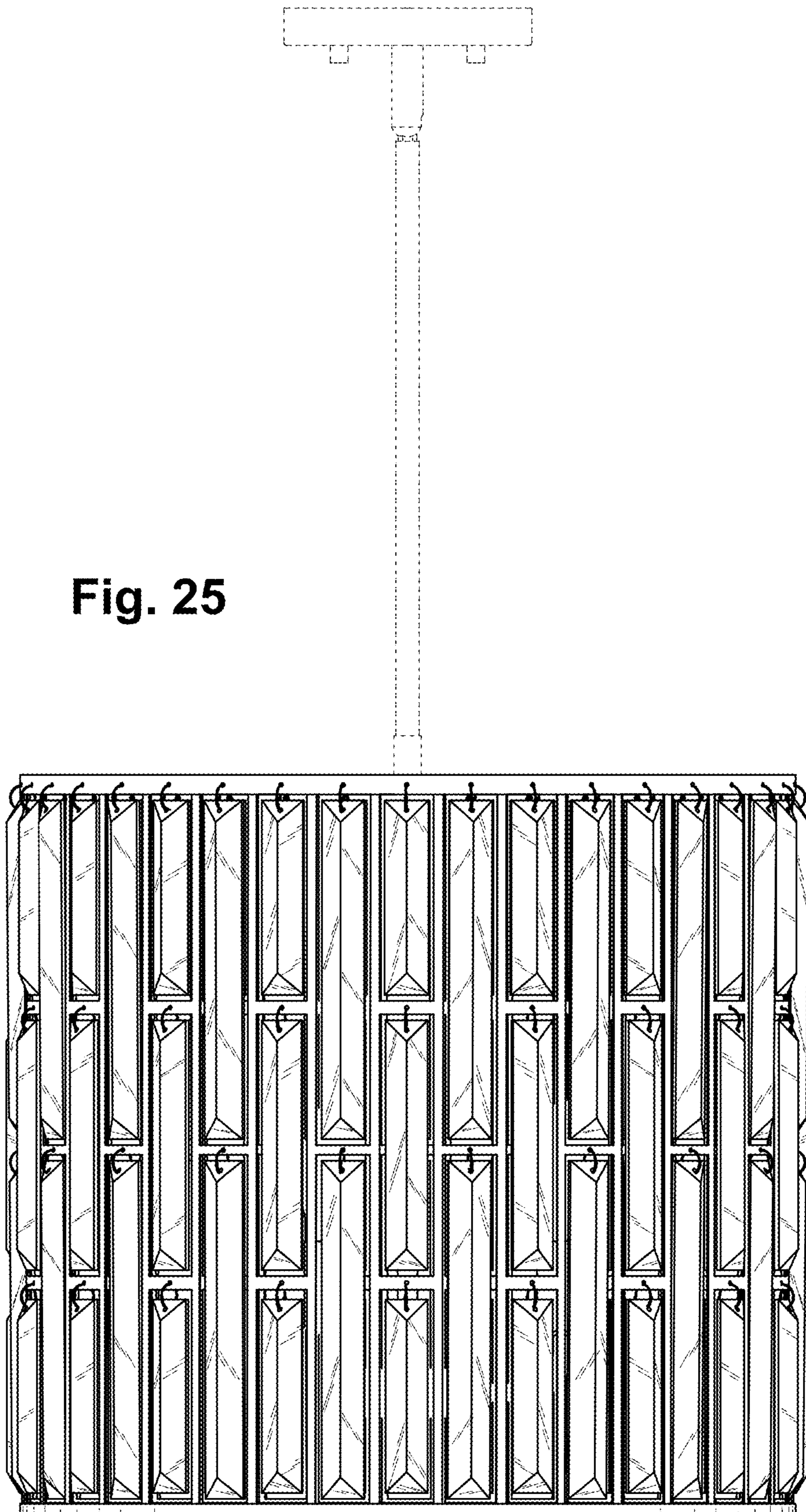
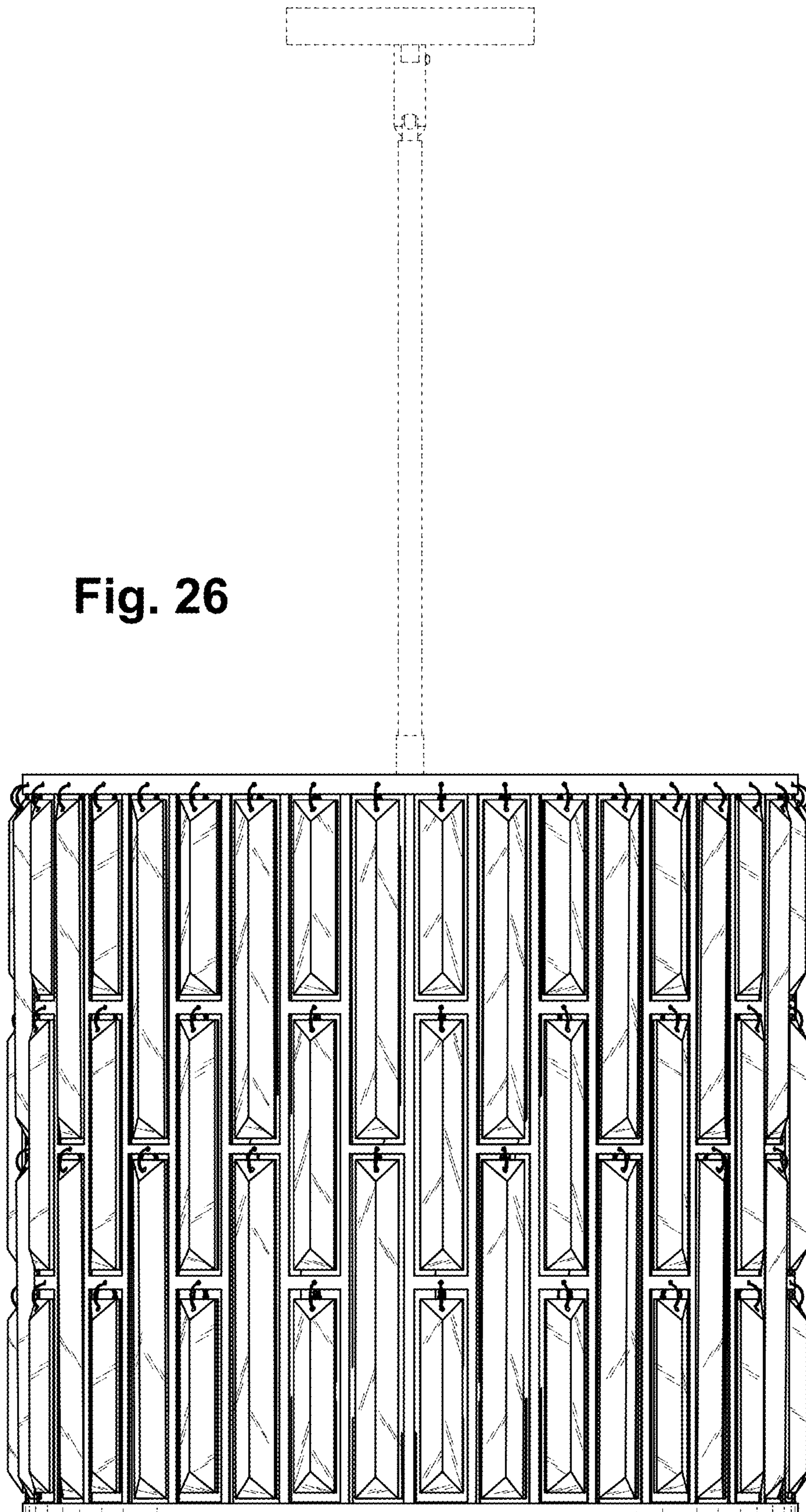


Fig. 26



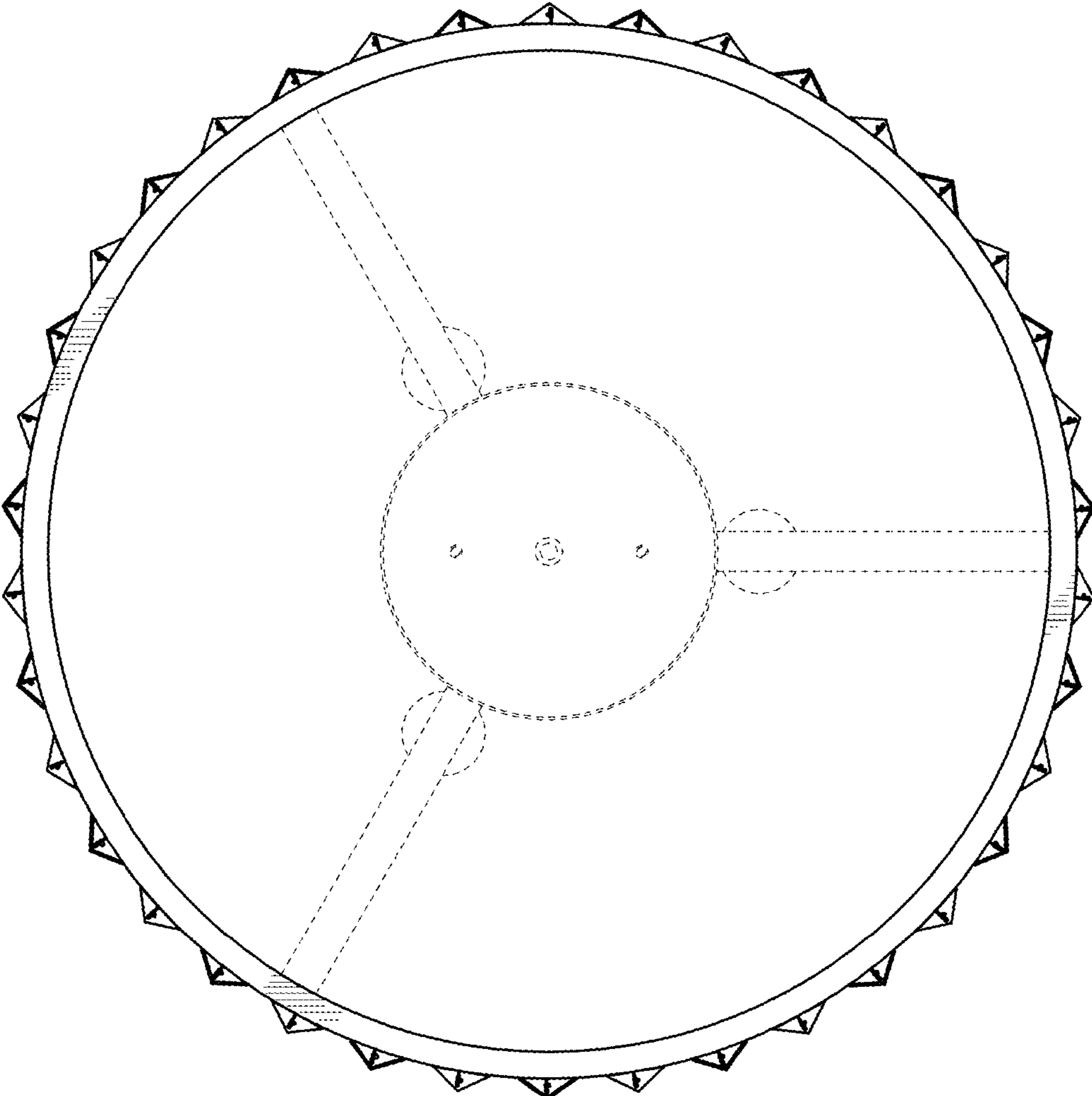


Fig. 27

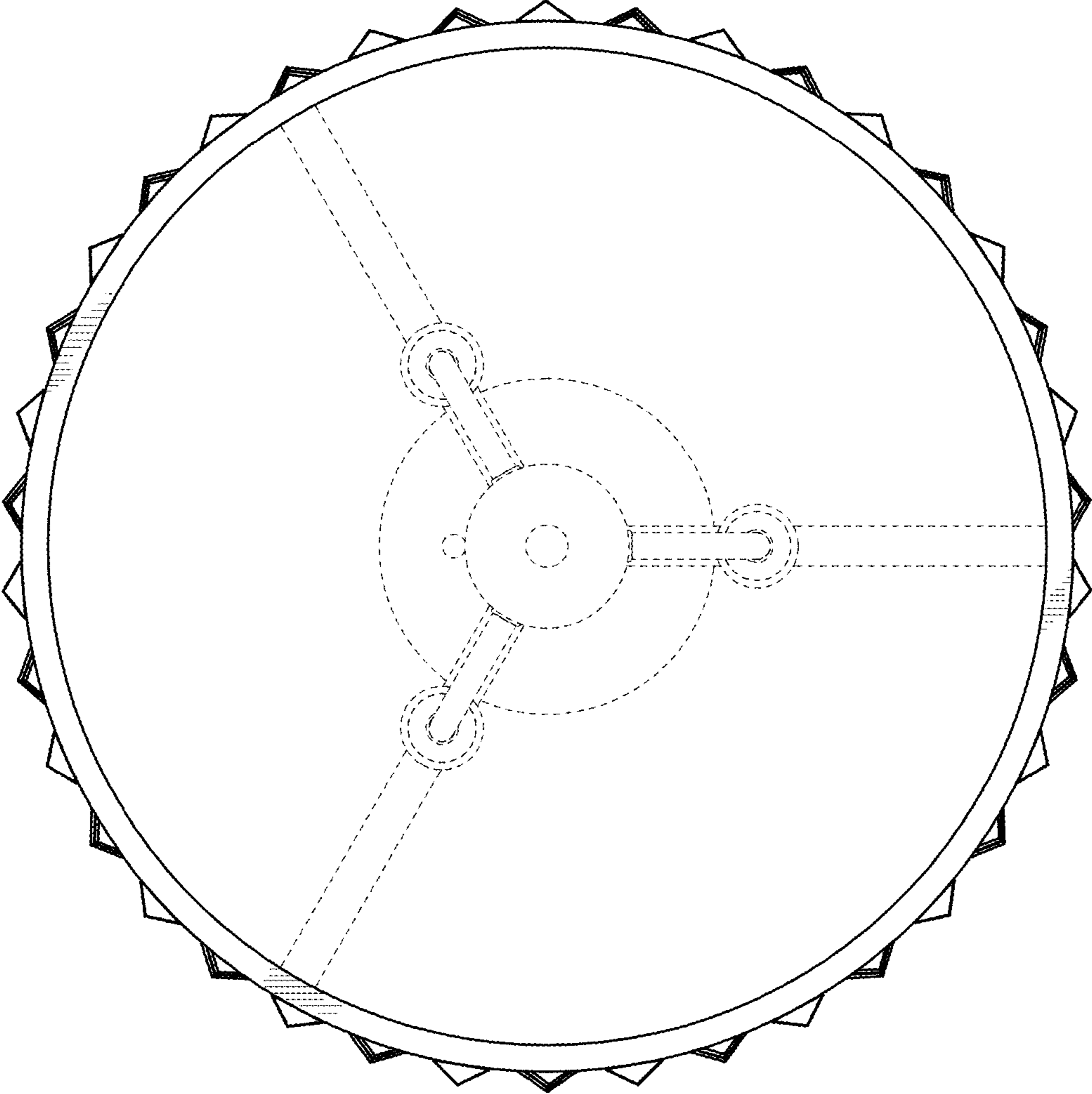


Fig. 28

Fig. 29

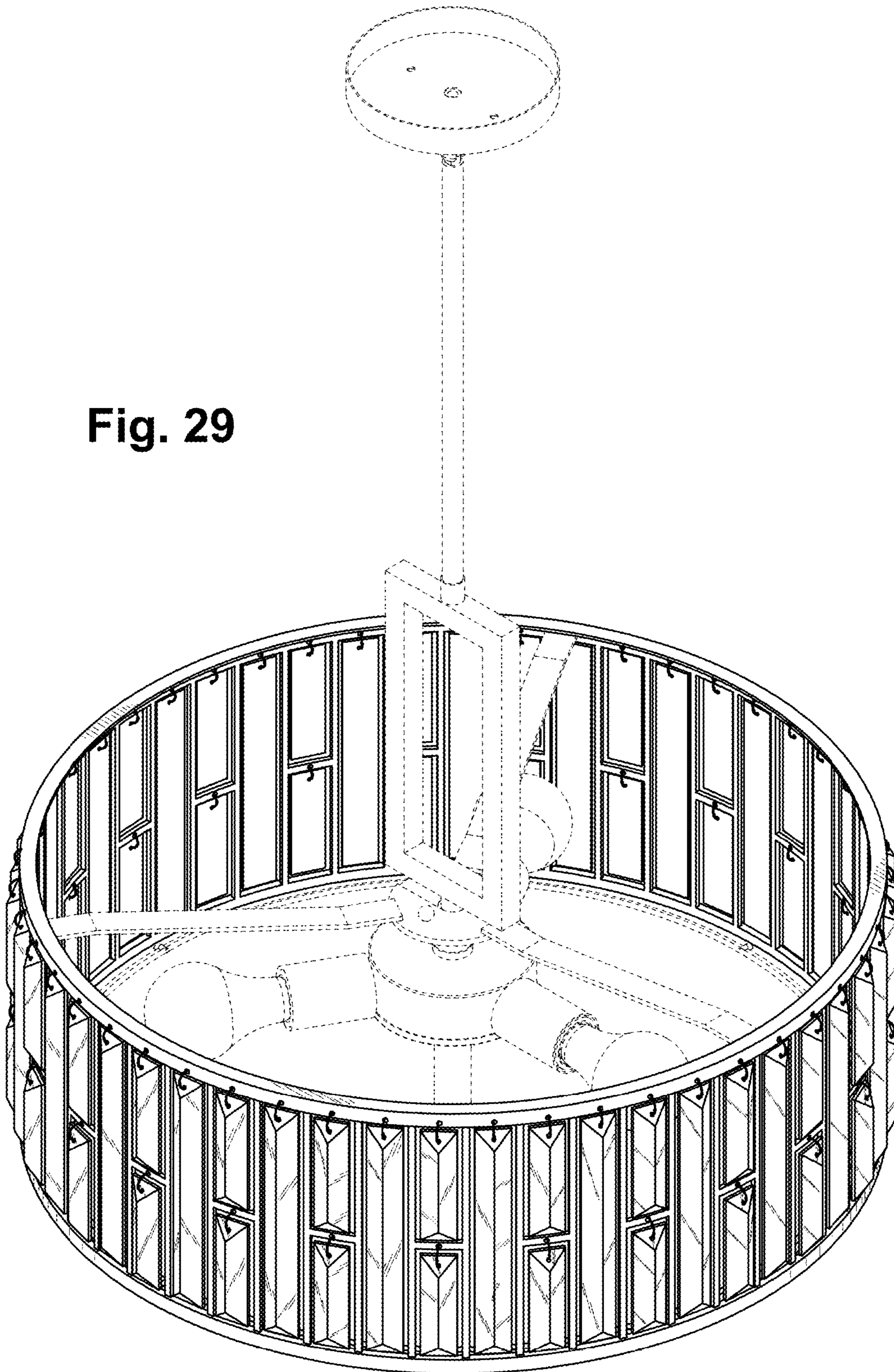
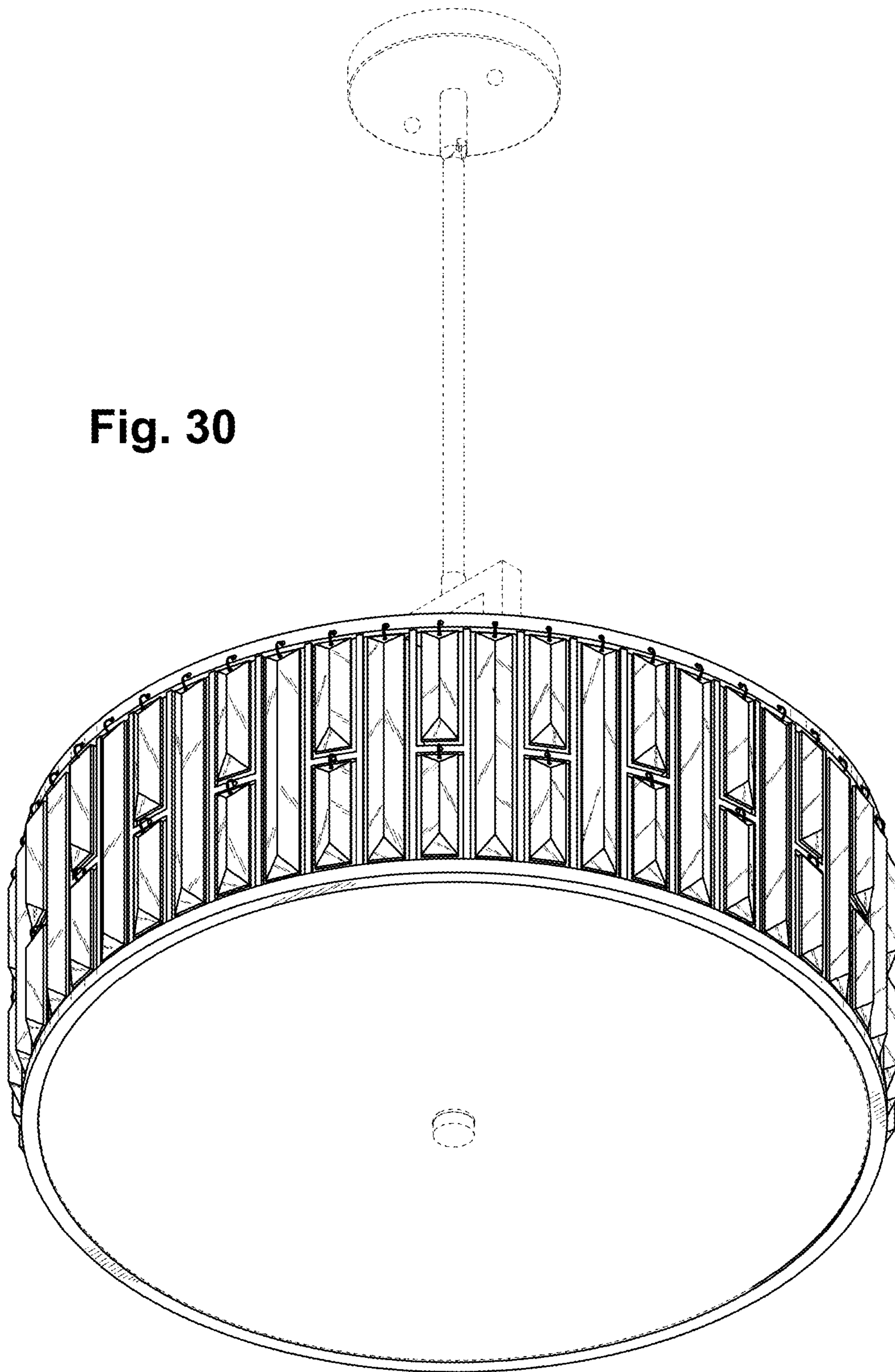


Fig. 30



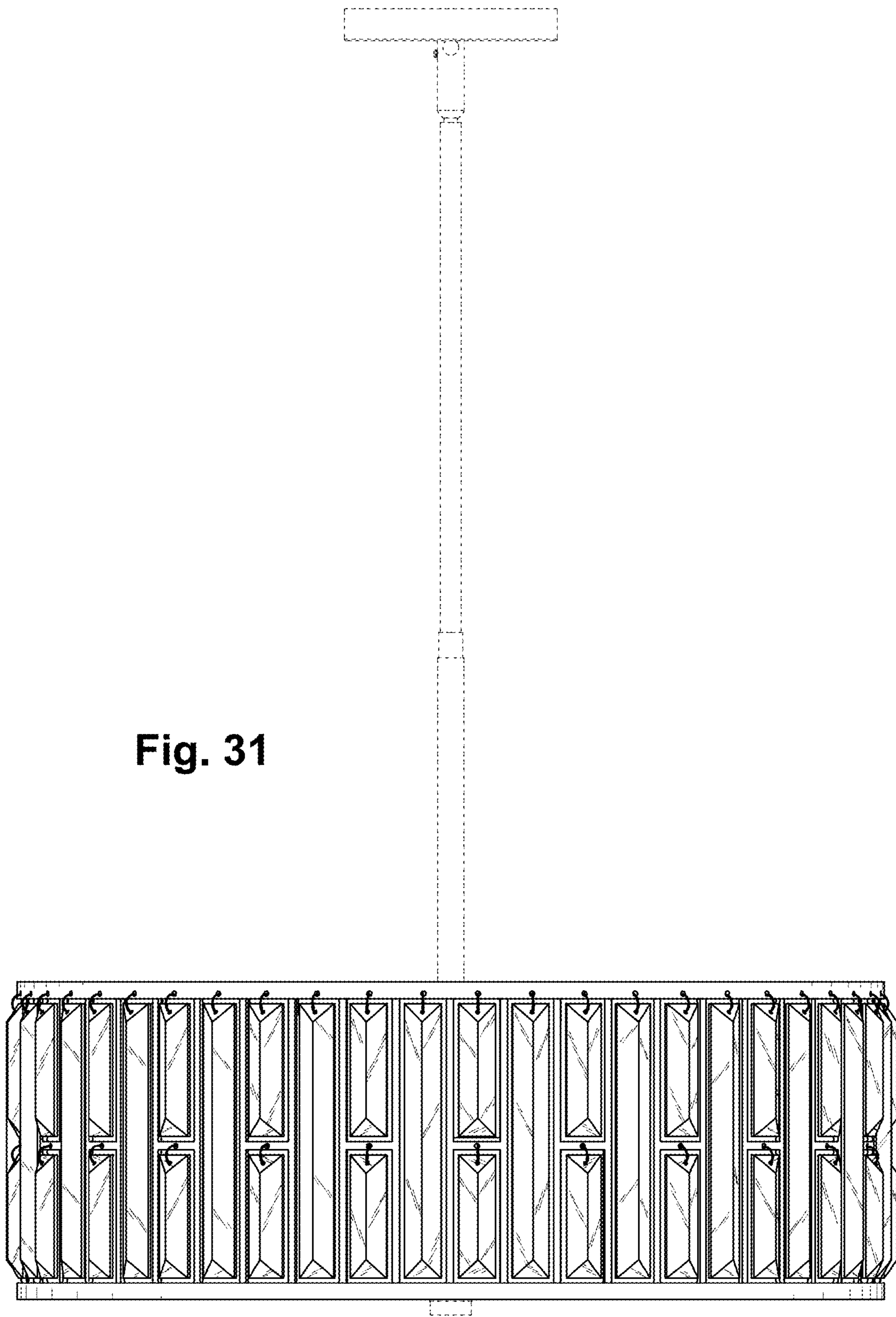
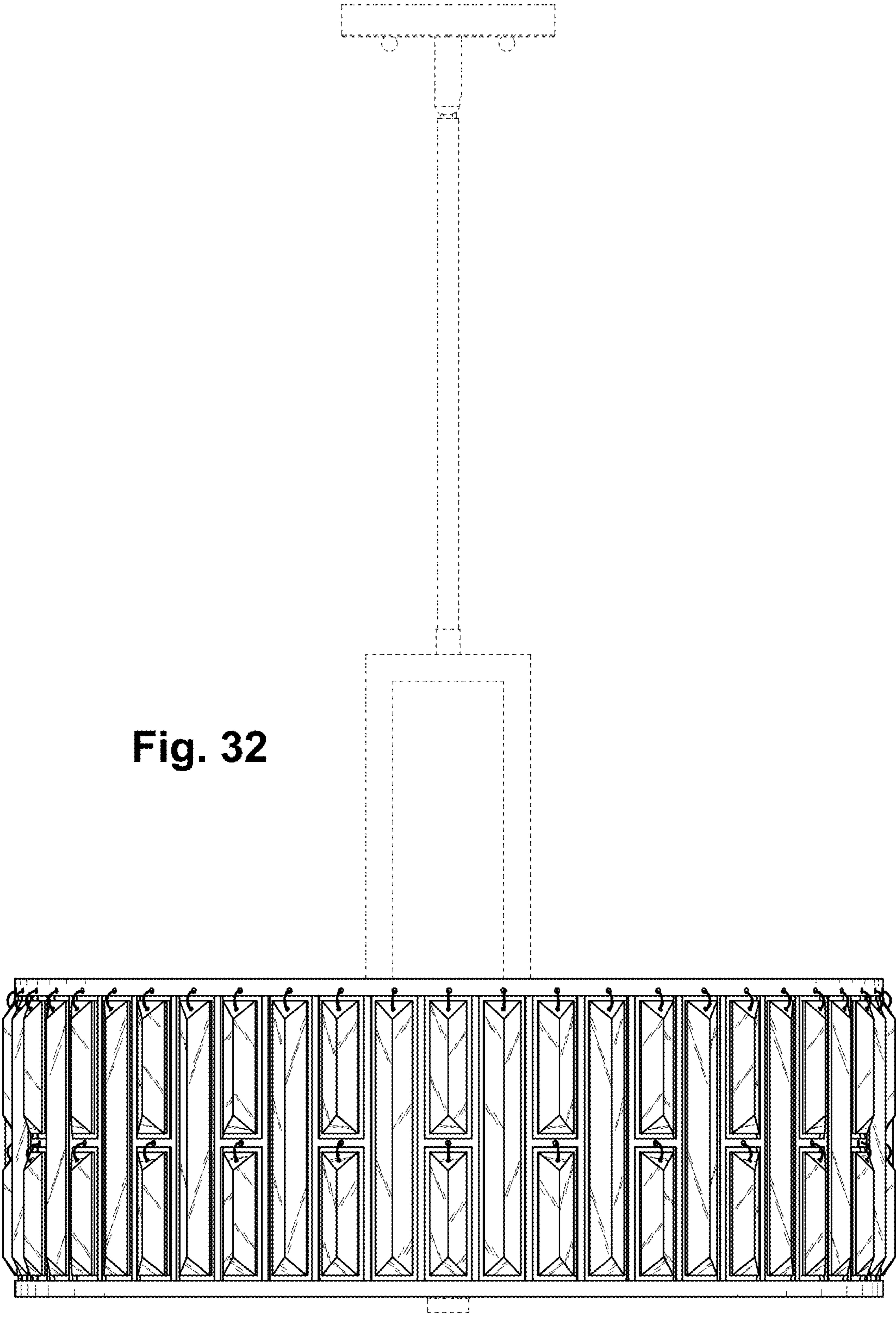


Fig. 31

Fig. 32



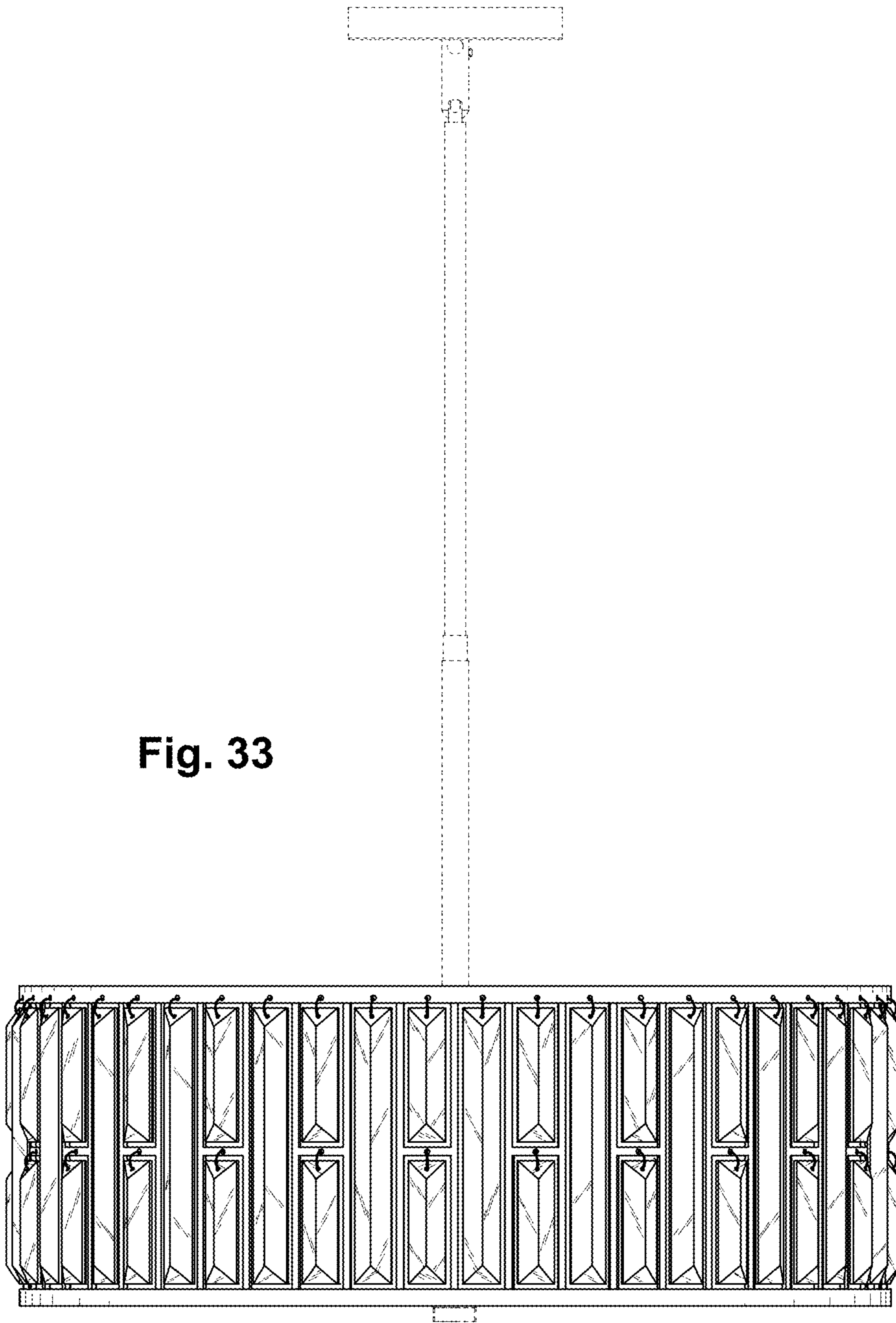


Fig. 33

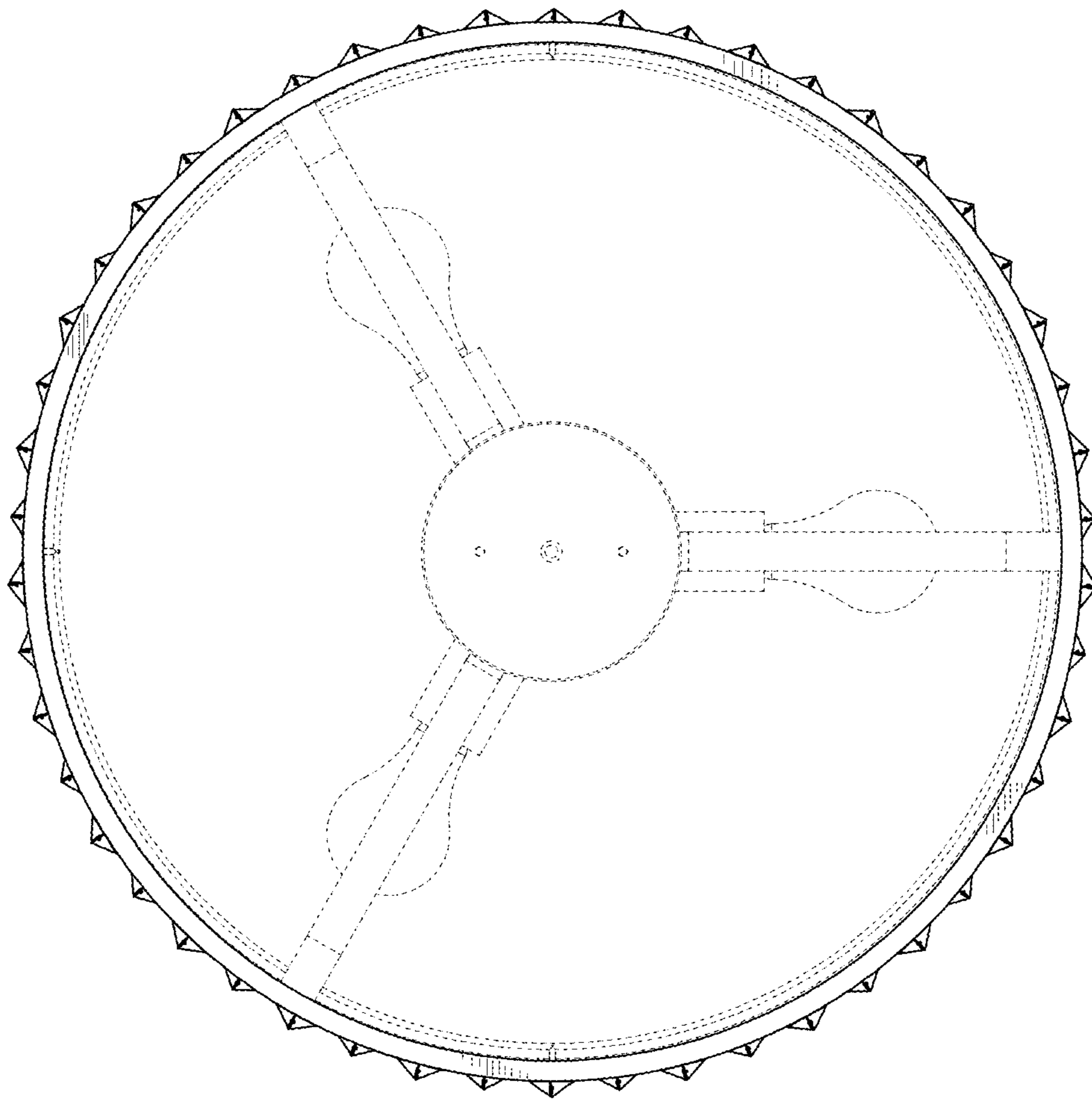


Fig. 34

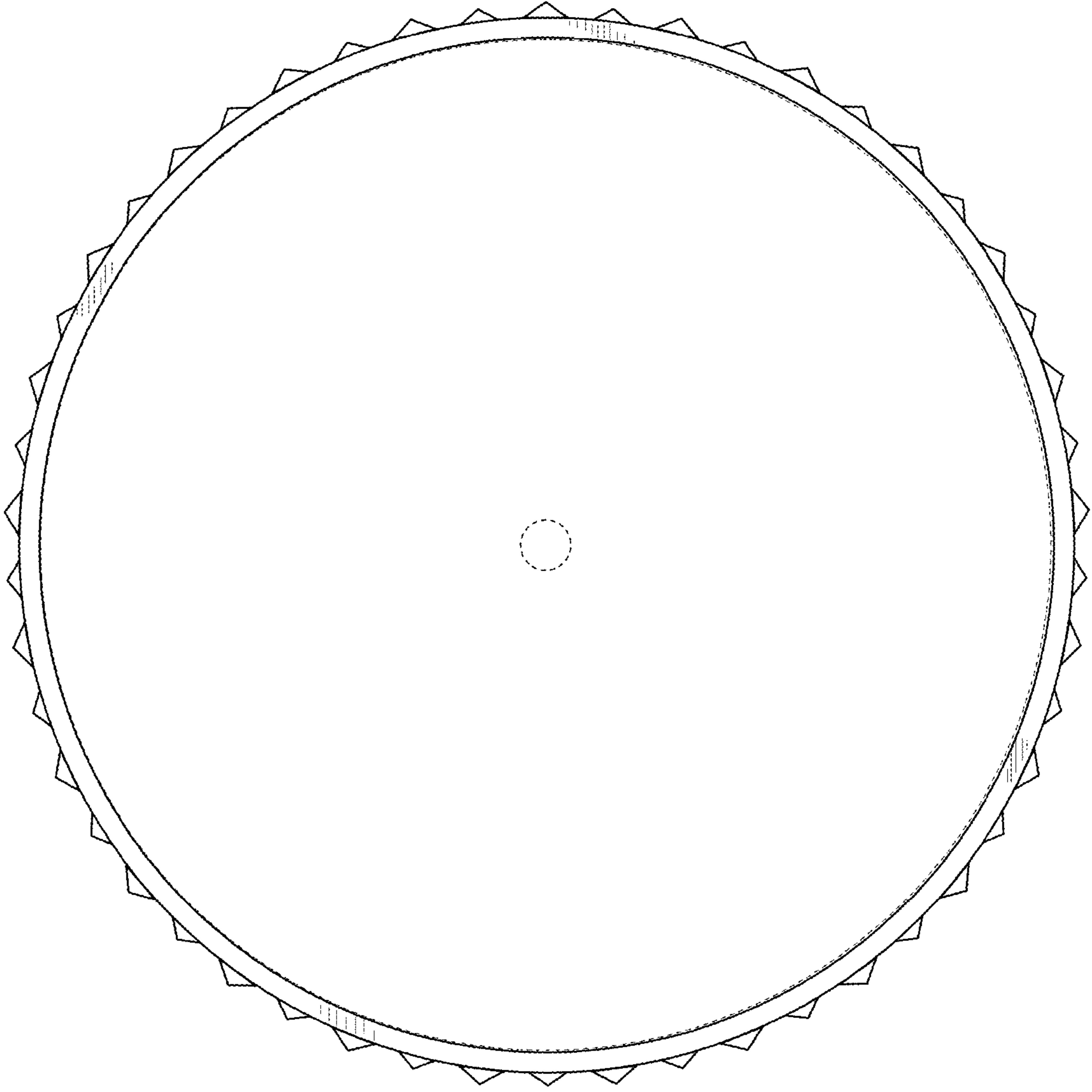


Fig. 35

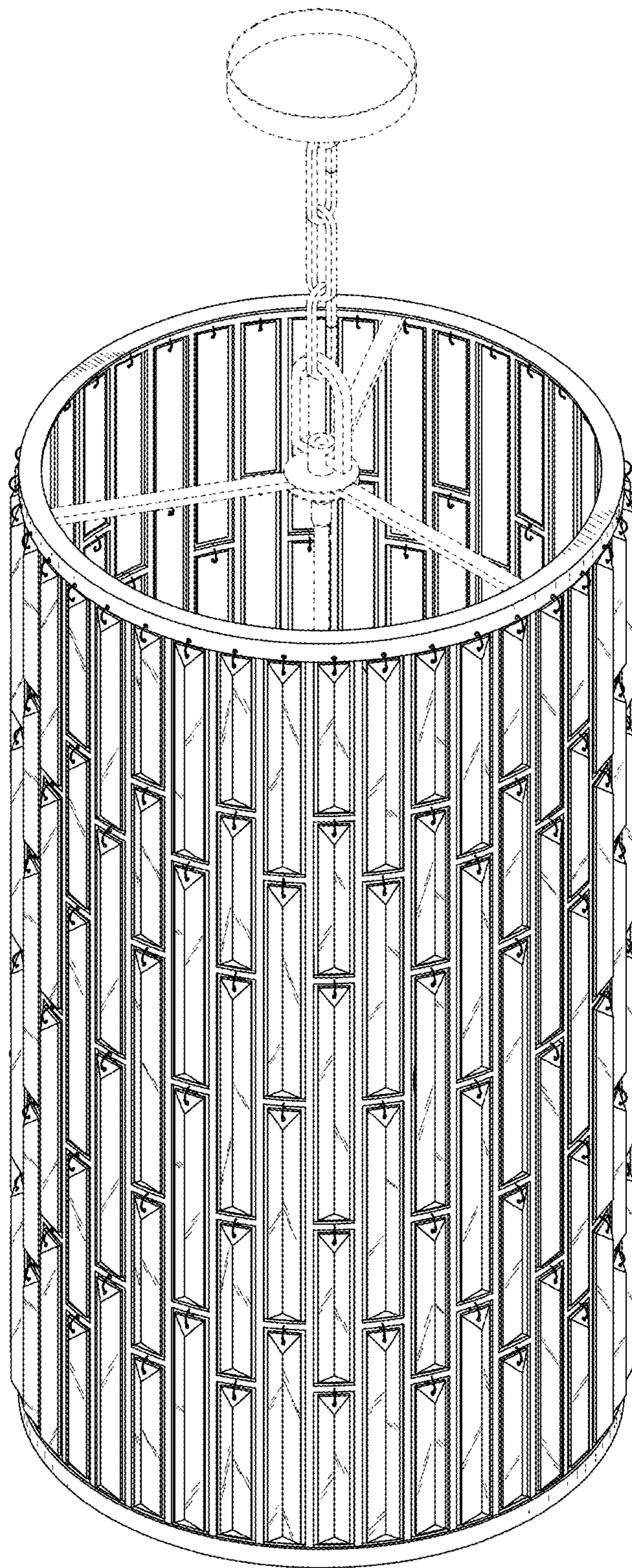


Fig. 36

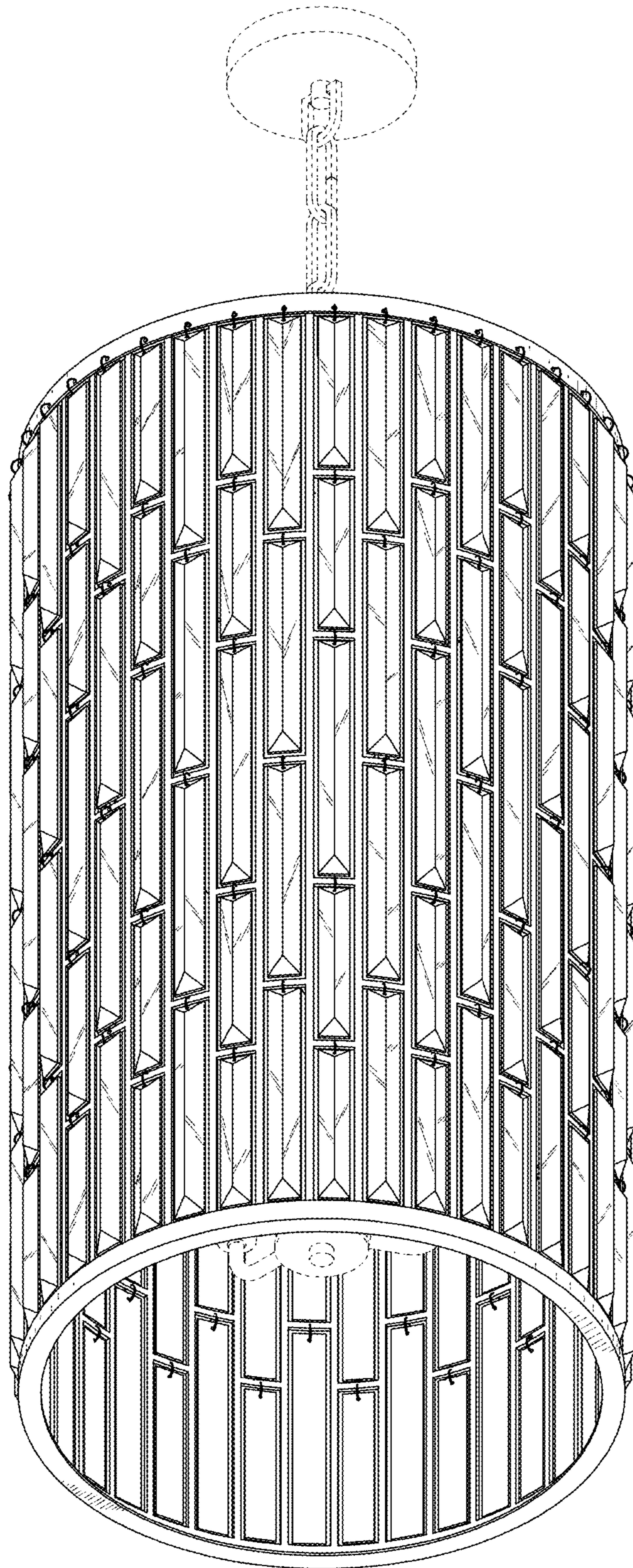


Fig. 37

Fig. 38

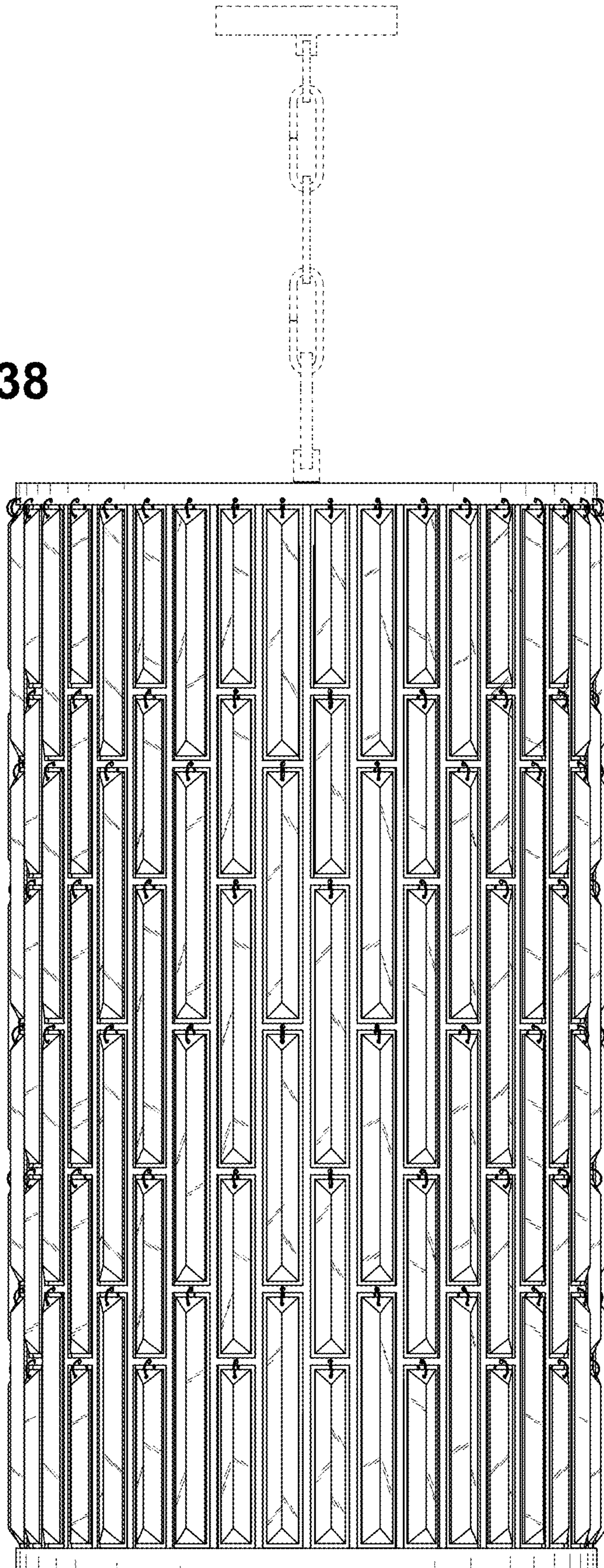


Fig. 39

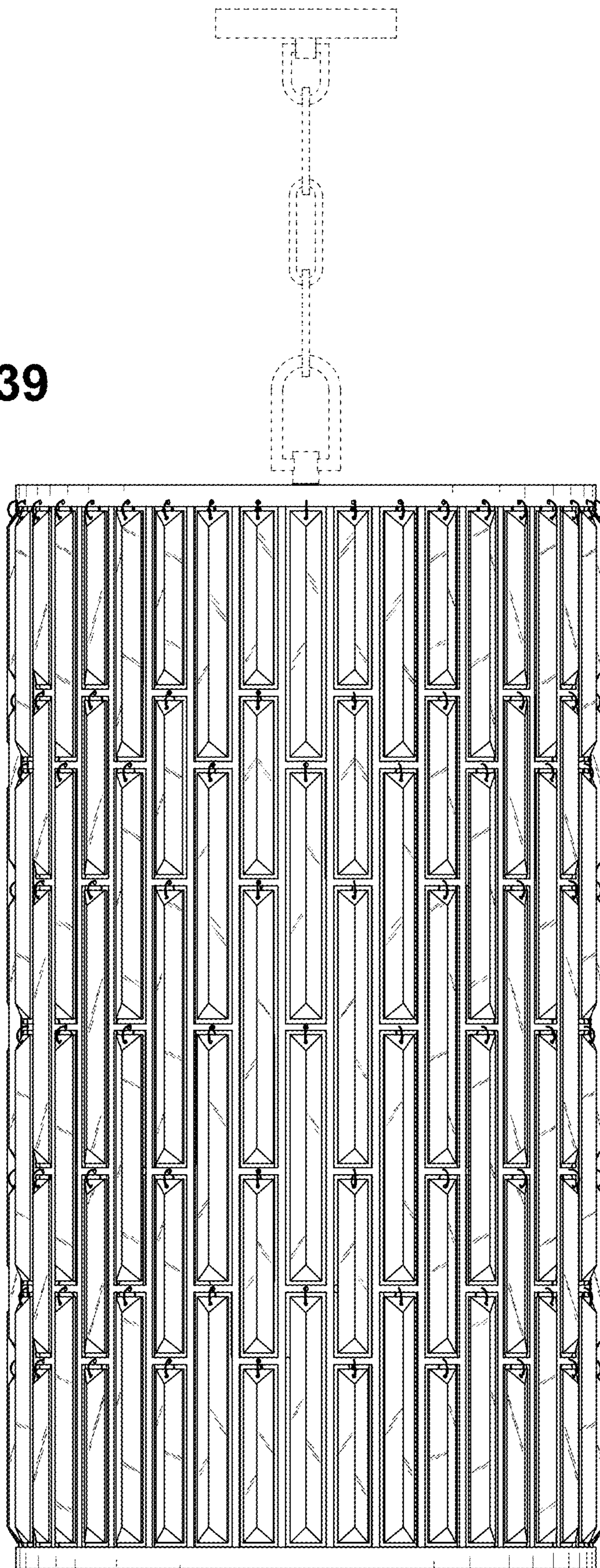
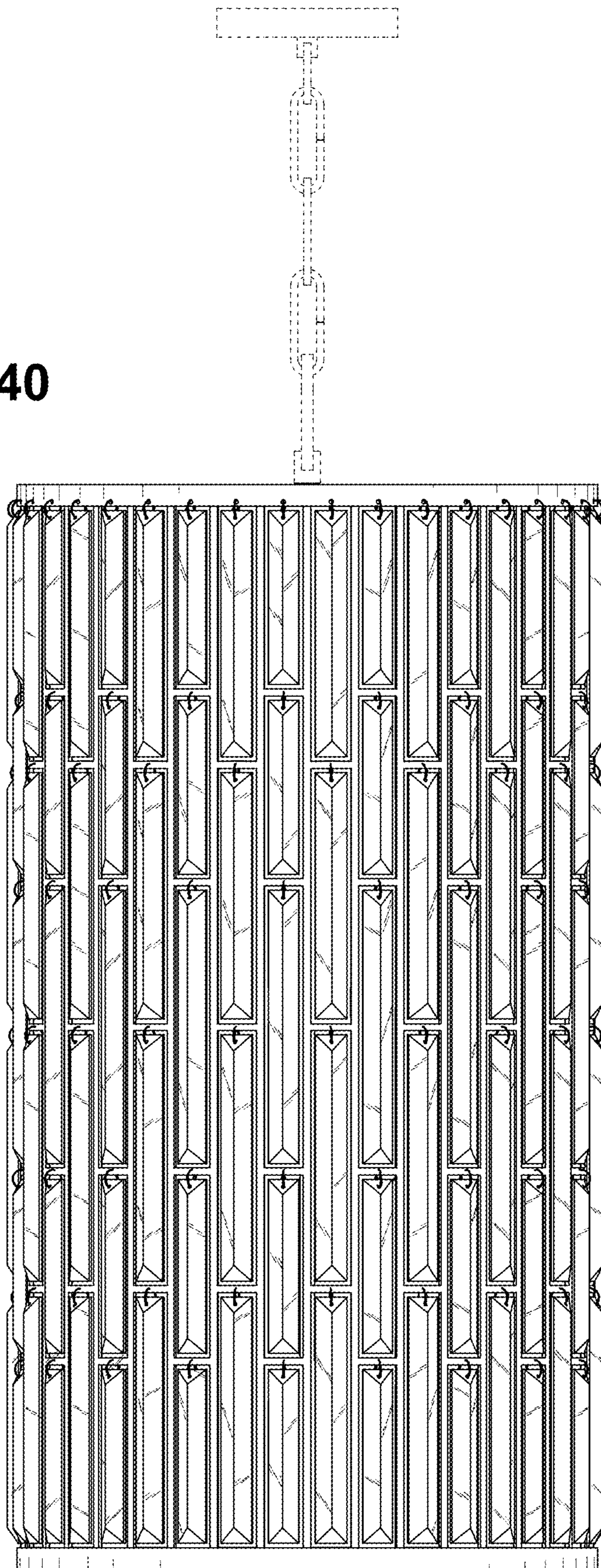


Fig. 40



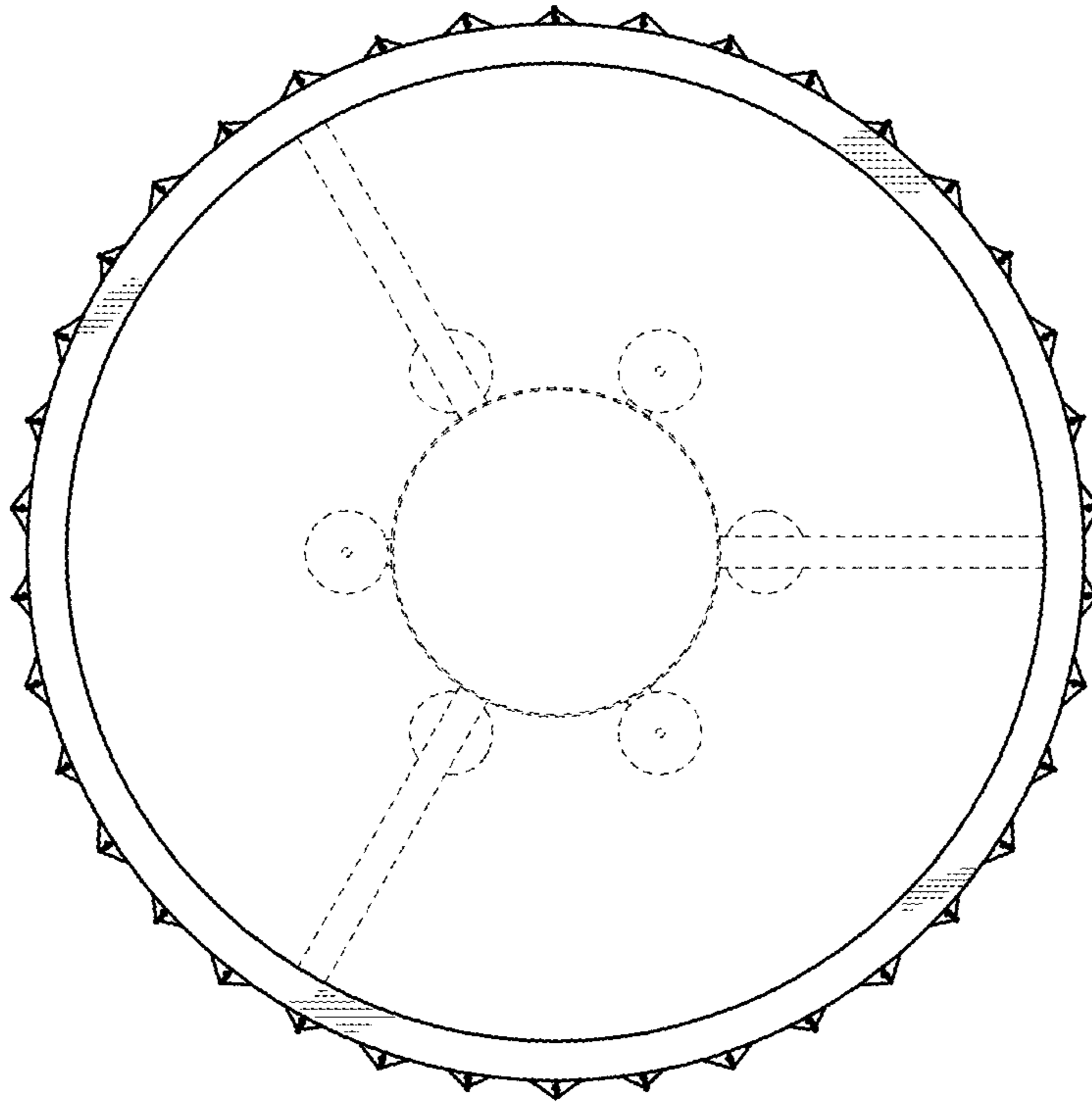


Fig. 41

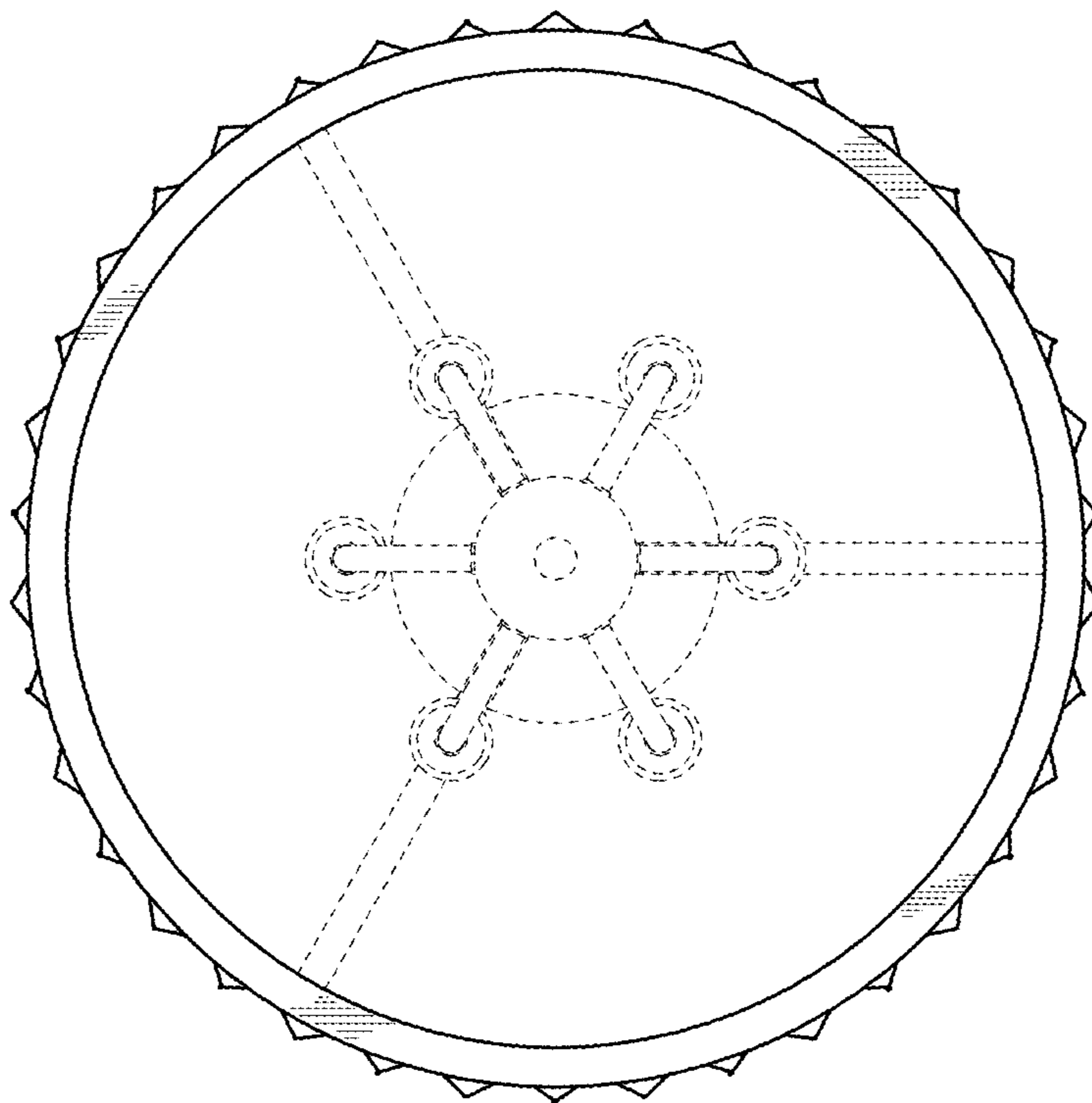
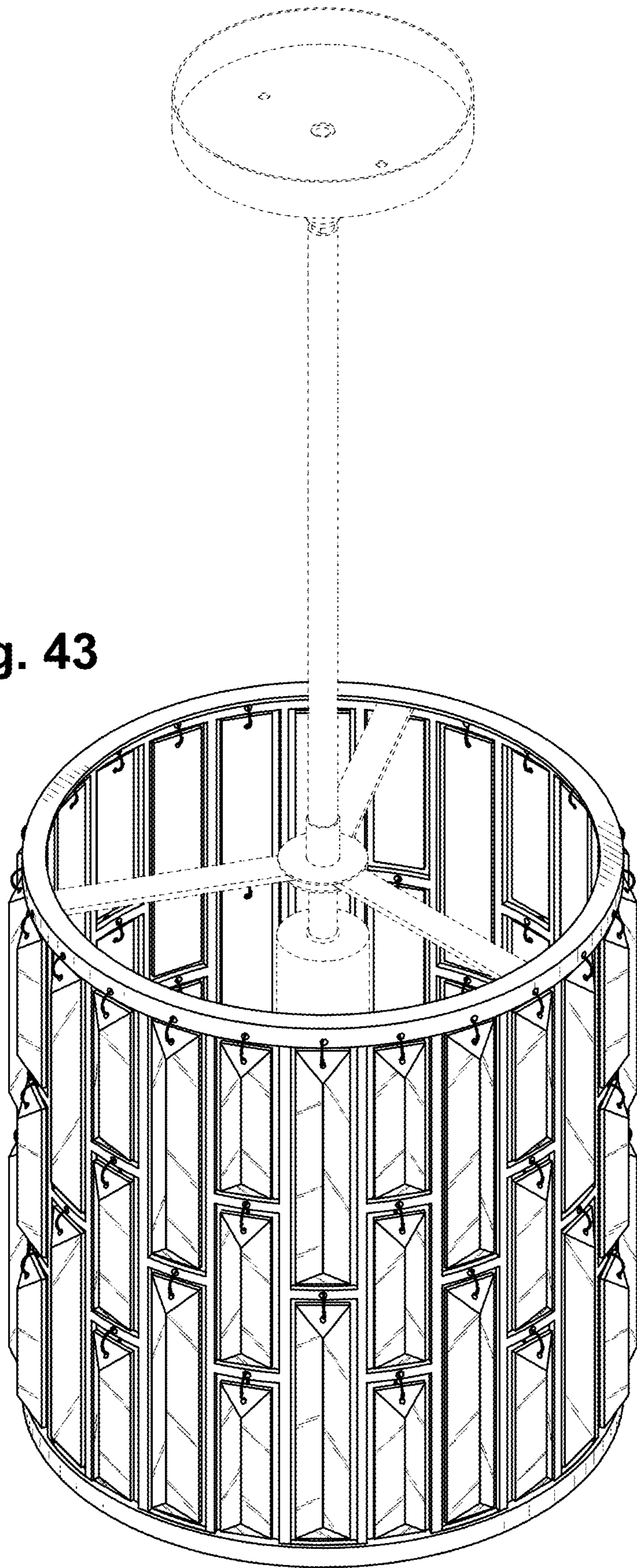


Fig. 42

Fig. 43



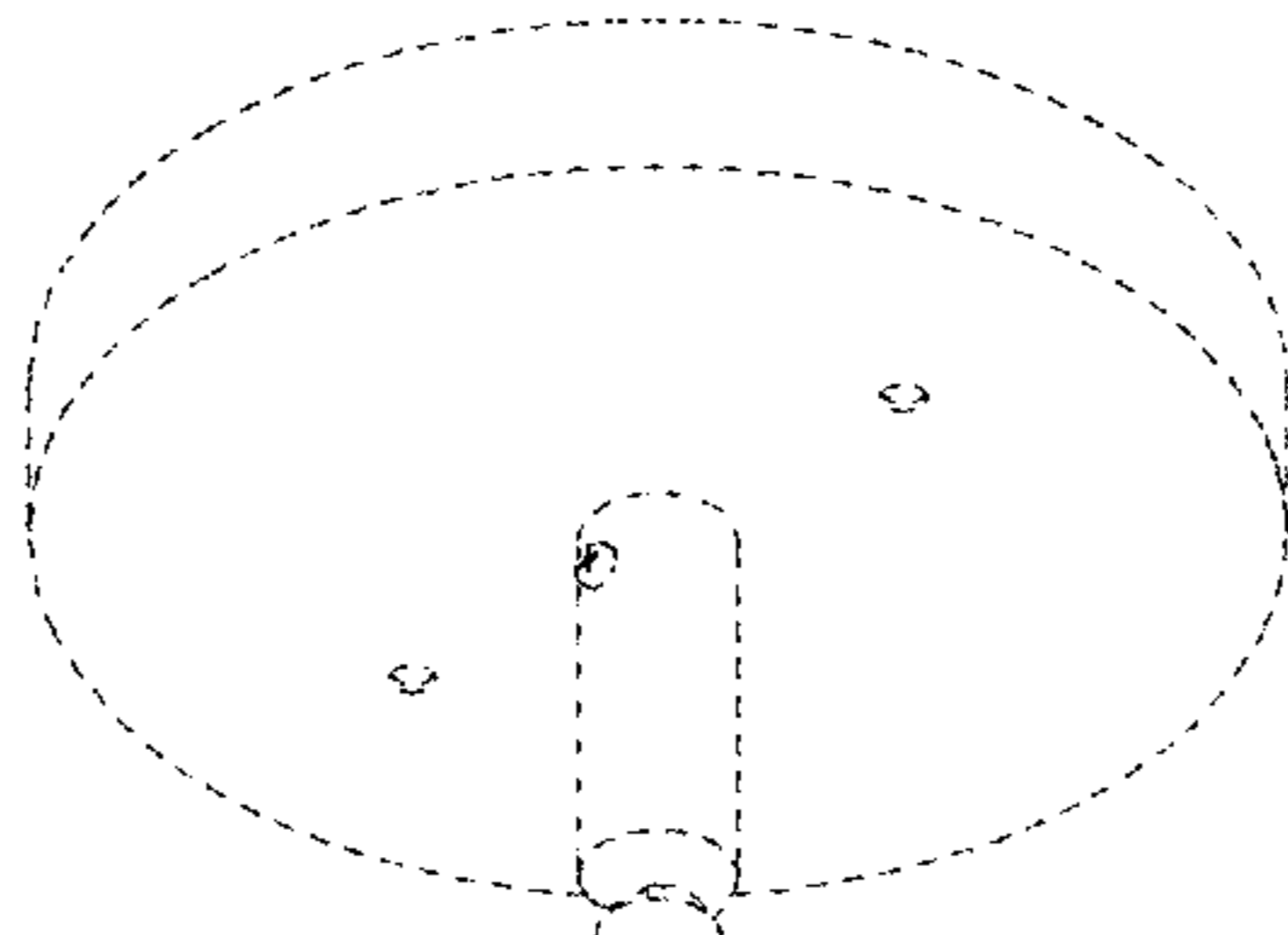
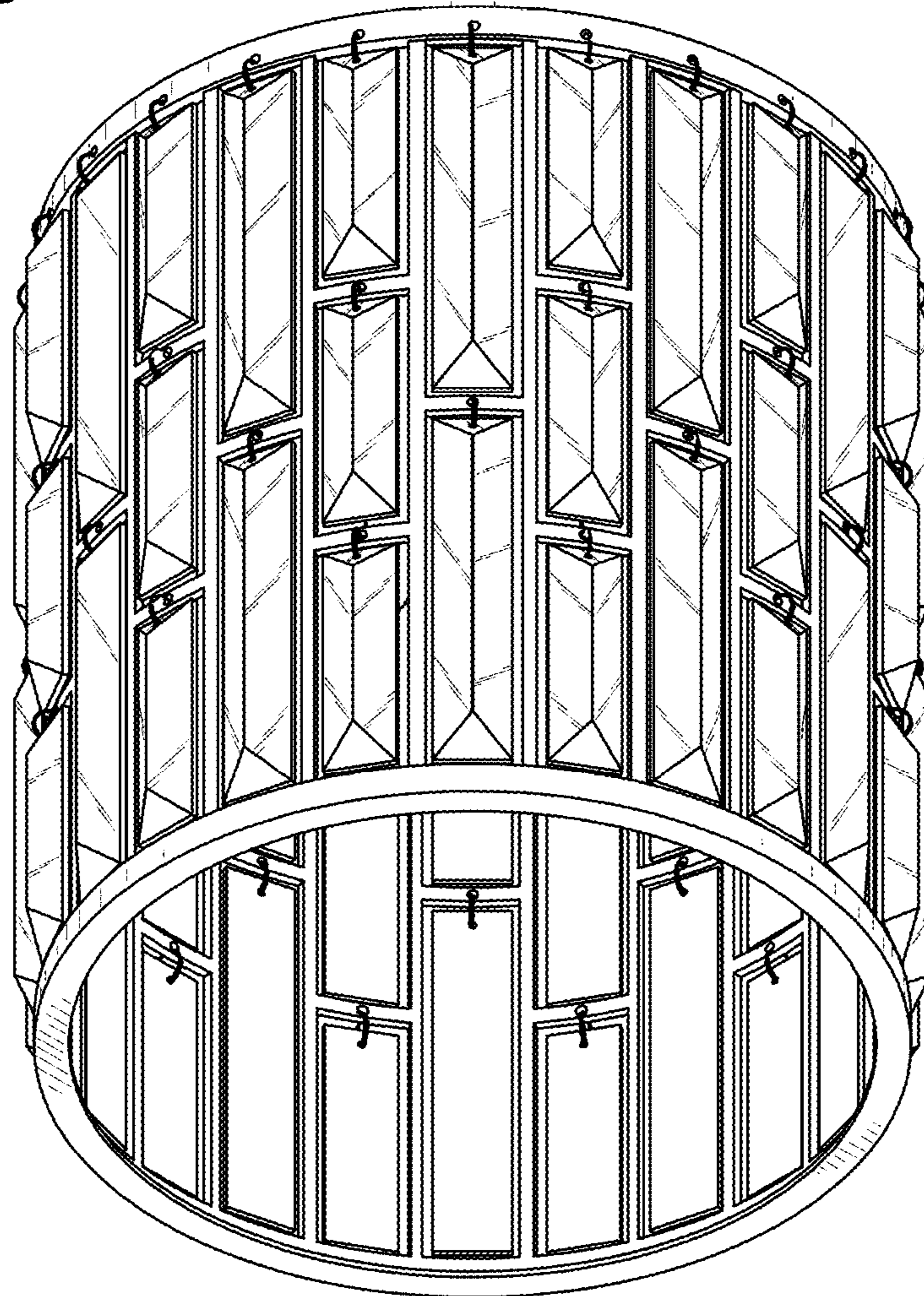


Fig. 44



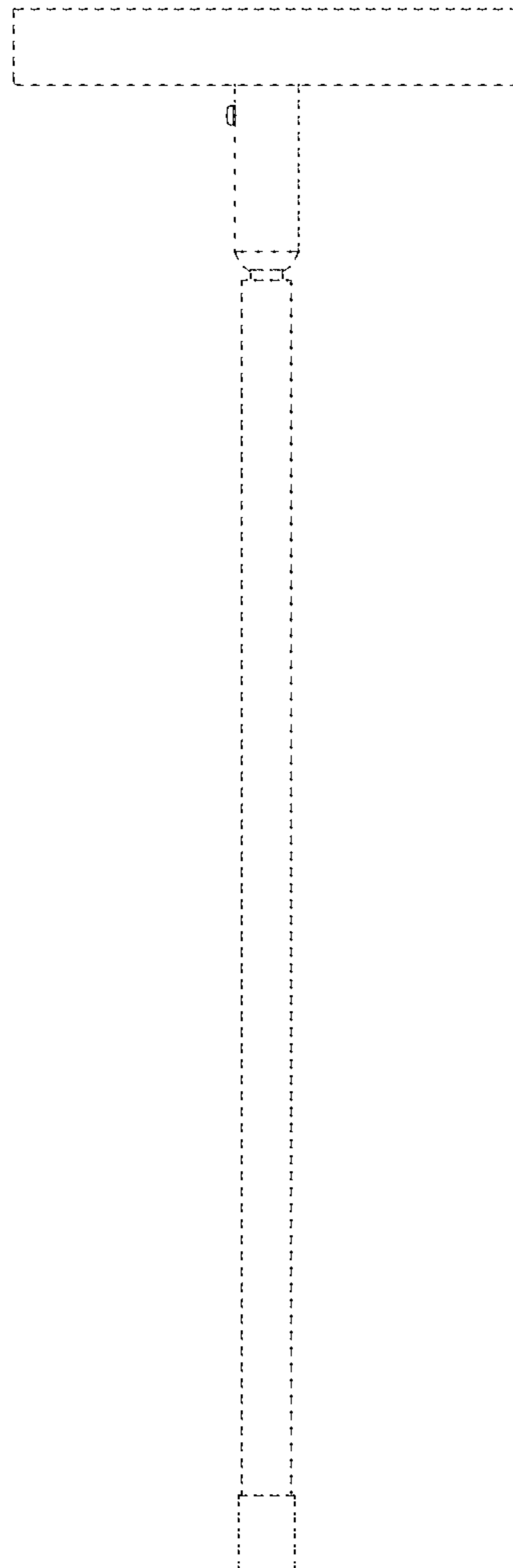
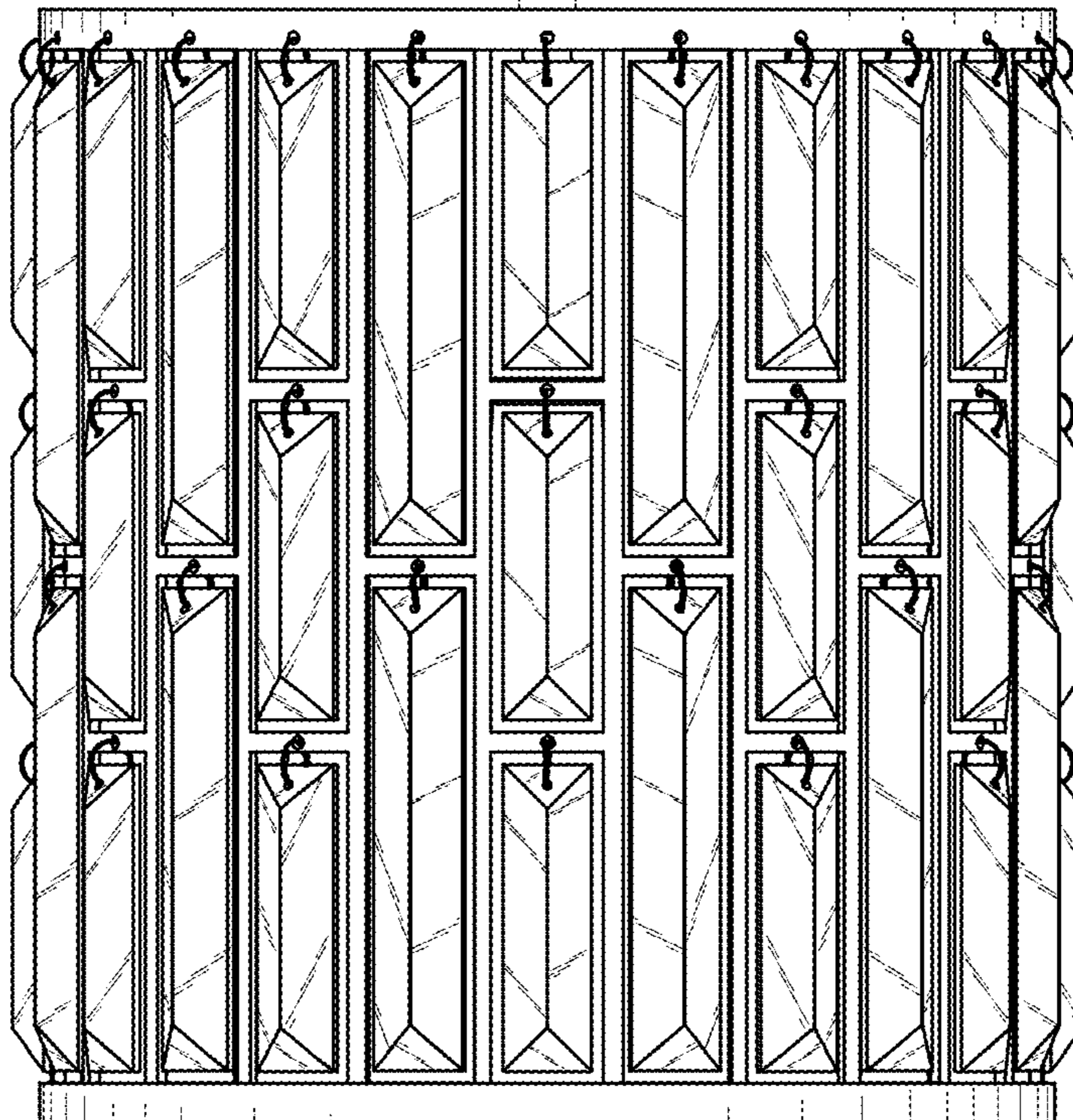


Fig. 45



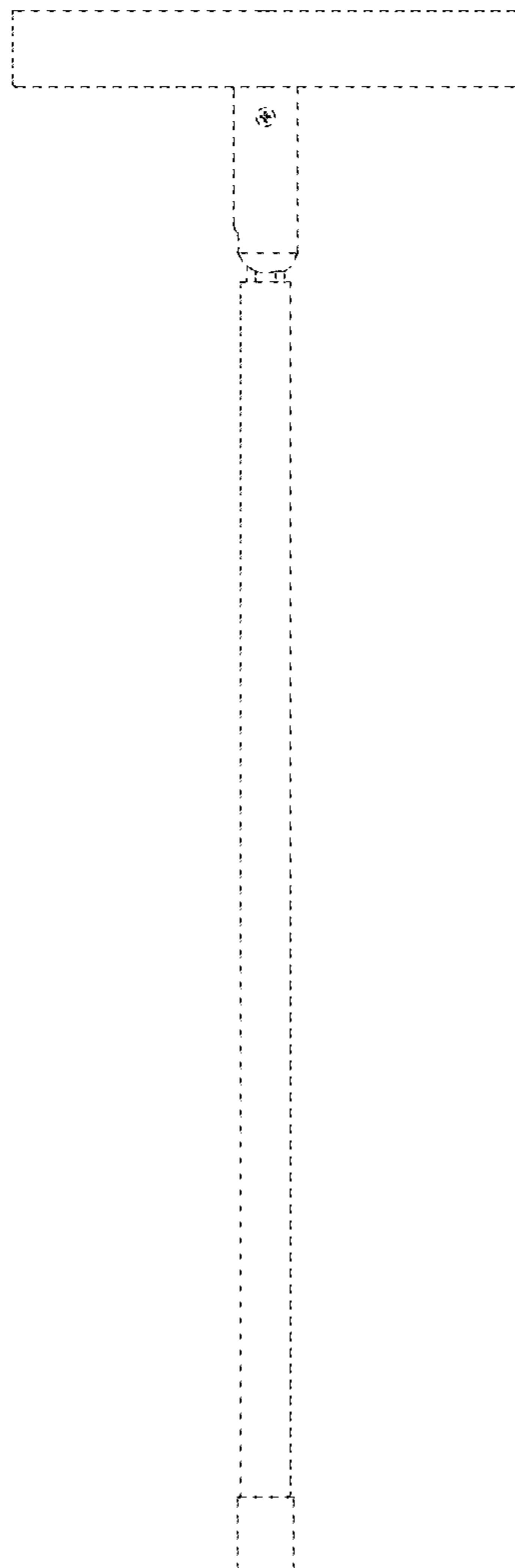
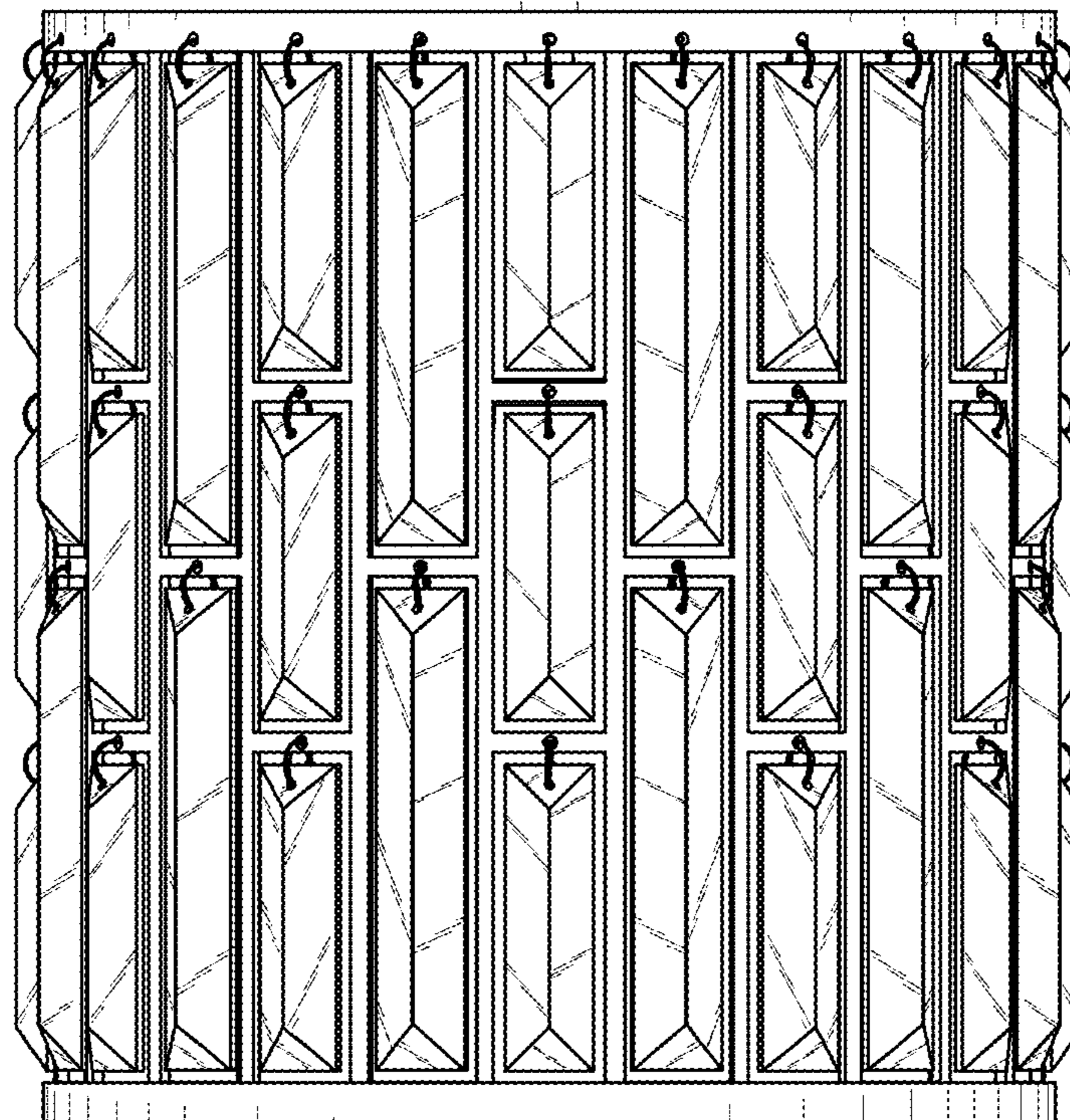


Fig. 46



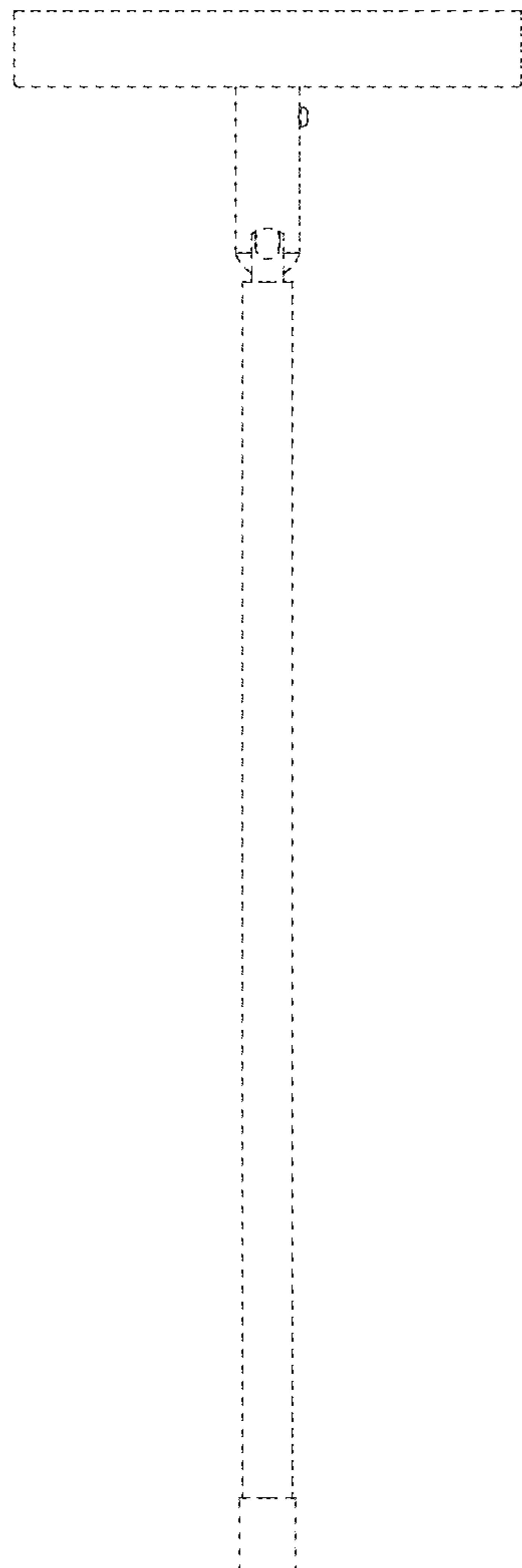
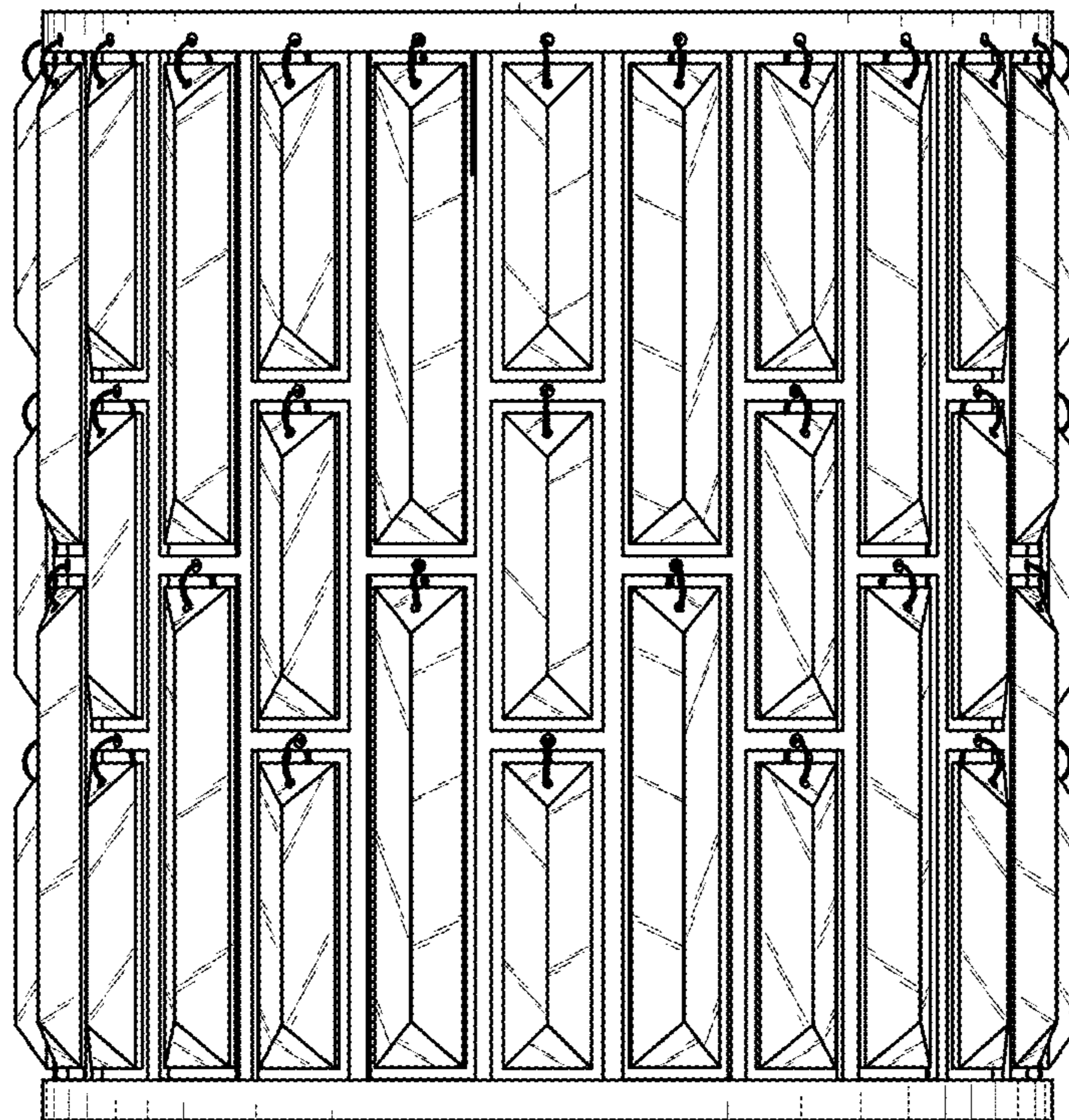


Fig. 47



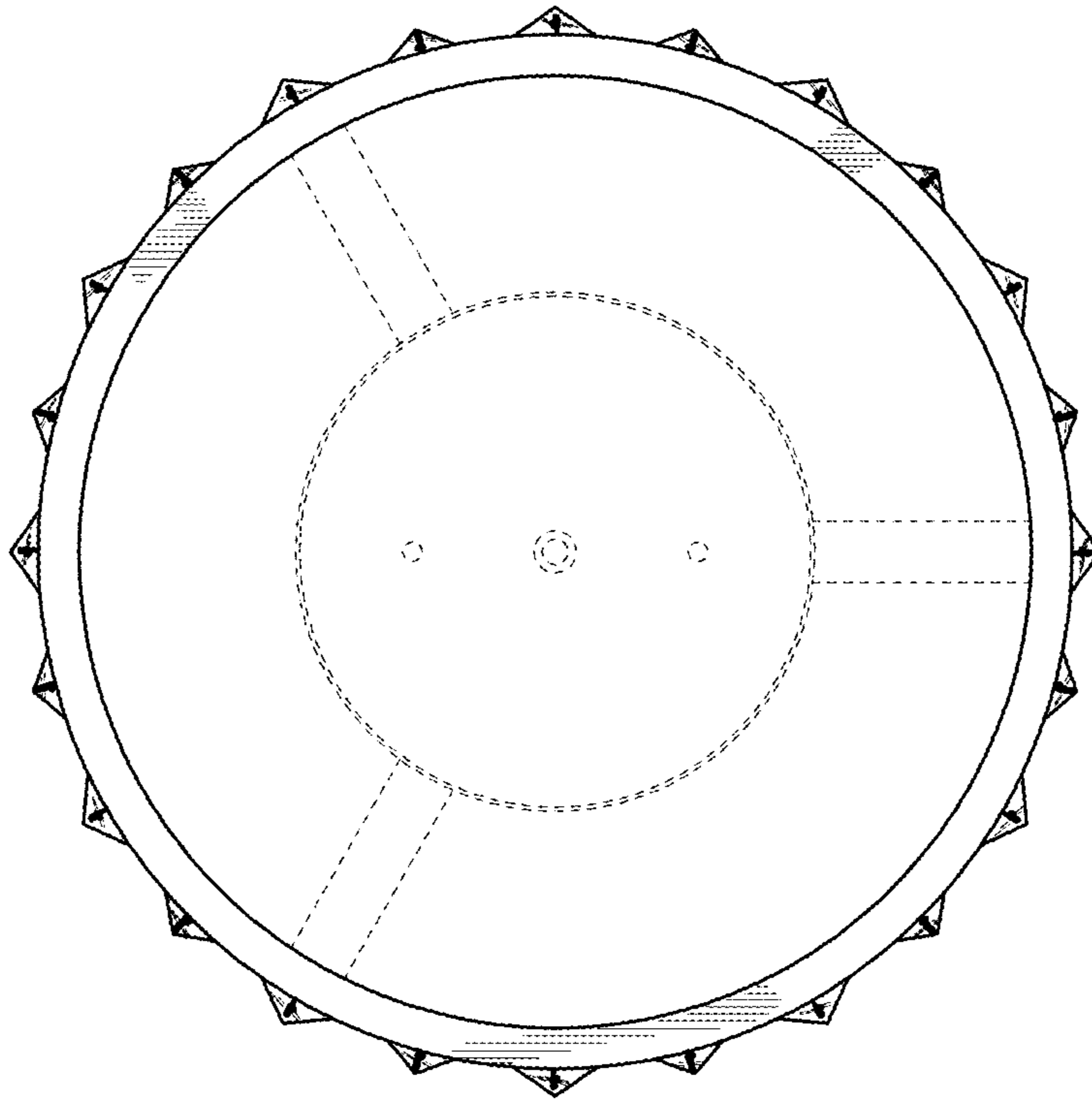


Fig. 48

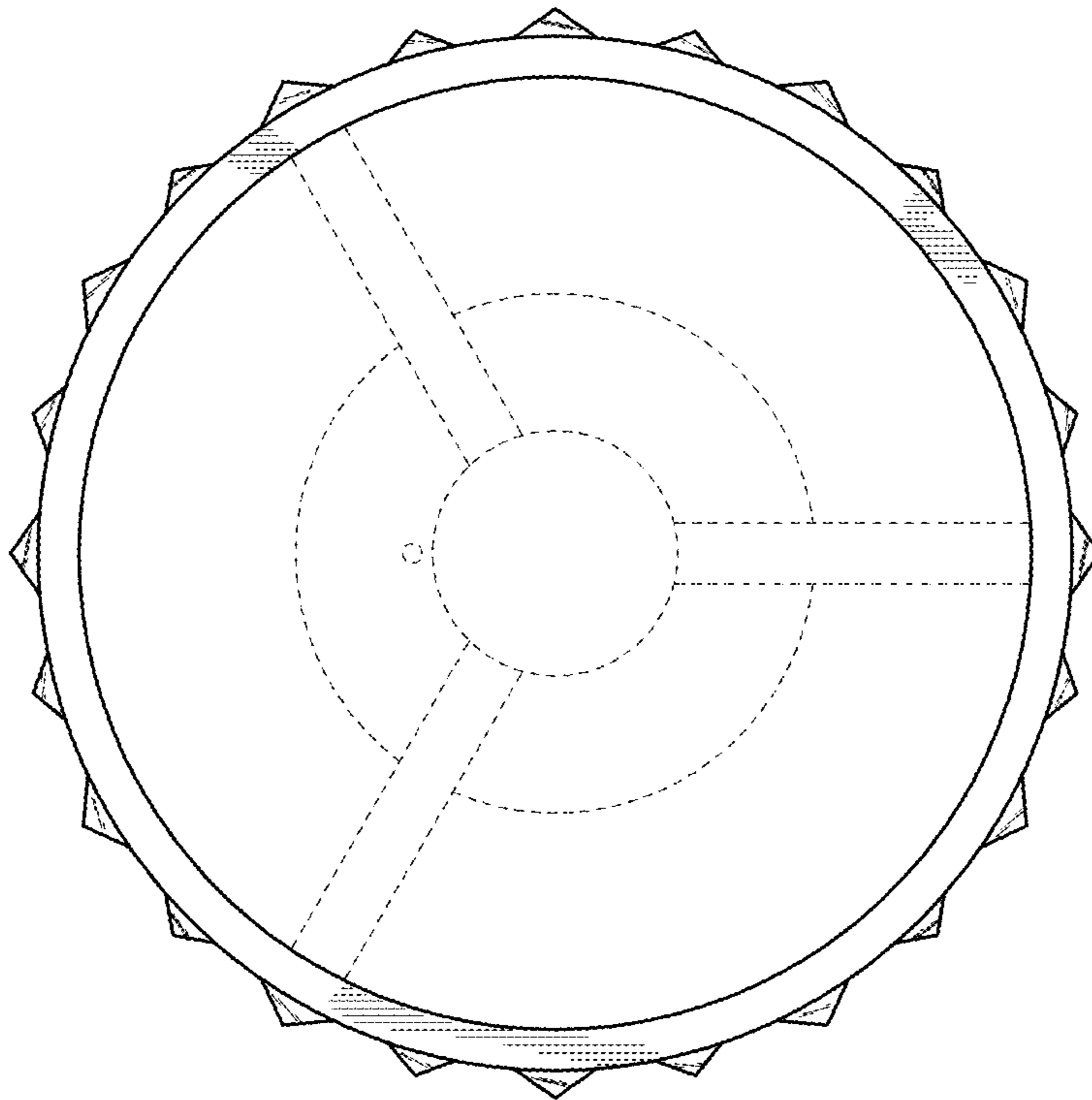


Fig. 49