



US00D768911S

(12) **United States Design Patent** (10) **Patent No.:** **US D768,911 S**
Deluca et al. (45) **Date of Patent:** **** Oct. 11, 2016**

(54) **COMBINED BOTTLE LIGHT AND SHADE**

D495,822 S * 9/2004 Yoneda D26/124
D544,640 S * 6/2007 Sase D26/123
D549,866 S * 8/2007 Pan D26/59

(71) Applicant: **AXIS SOURCING GROUP, INC.**,
Concord, CA (US)

* cited by examiner

(72) Inventors: **Domenico F. Deluca**, Concord, CA
(US); **Mark Knoll**, Concord, CA (US)

Primary Examiner — Brian N. Vinson

(74) *Attorney, Agent, or Firm* — Charles L. Thoeming

(73) Assignee: **AXIS Sourcing Group, Inc.**, Concord,
CA (US)

(57) **CLAIM**

The ornamental design for a combined bottle light and shade, as shown and described.

(**) Term: **14 Years**

DESCRIPTION

(21) Appl. No.: **29/524,763**

FIG. 1 is an isometric top view of a combined bottle light and shade showing our new design;

(22) Filed: **Apr. 23, 2015**

FIG. 2 is an isometric bottom view thereof;

(51) **LOC (10) Cl.** **26-06**

FIG. 3 is a top plan view thereof;

(52) **U.S. Cl.**

FIG. 4 is a bottom plan view thereof;

USPC **D26/118**

FIG. 5 is a front elevation view thereof, the rear, right side and left side views being identical thereto;

(58) **Field of Classification Search**

USPC D26/1-4, 24-26, 28, 34, 39, 45, 50, 60,
D26/61, 66-74, 85, 88, 89, 93, 94, 104, 105,
D26/108, 109, 113, 118-125, 138, 142

FIG. 6 is a first isometric top view of a the combined bottle light and shade shown in an environment of use;

CPC F21V 13/04; F21V 5/00; F21V 7/00;
F21V 7/0091

FIG. 7 is a second isometric top view of a the combined bottle light and shade shown in an environment of use;

See application file for complete search history.

FIG. 8 is a third isometric top view of a the combined bottle light and shade shown in an environment of use; and,

(56) **References Cited**

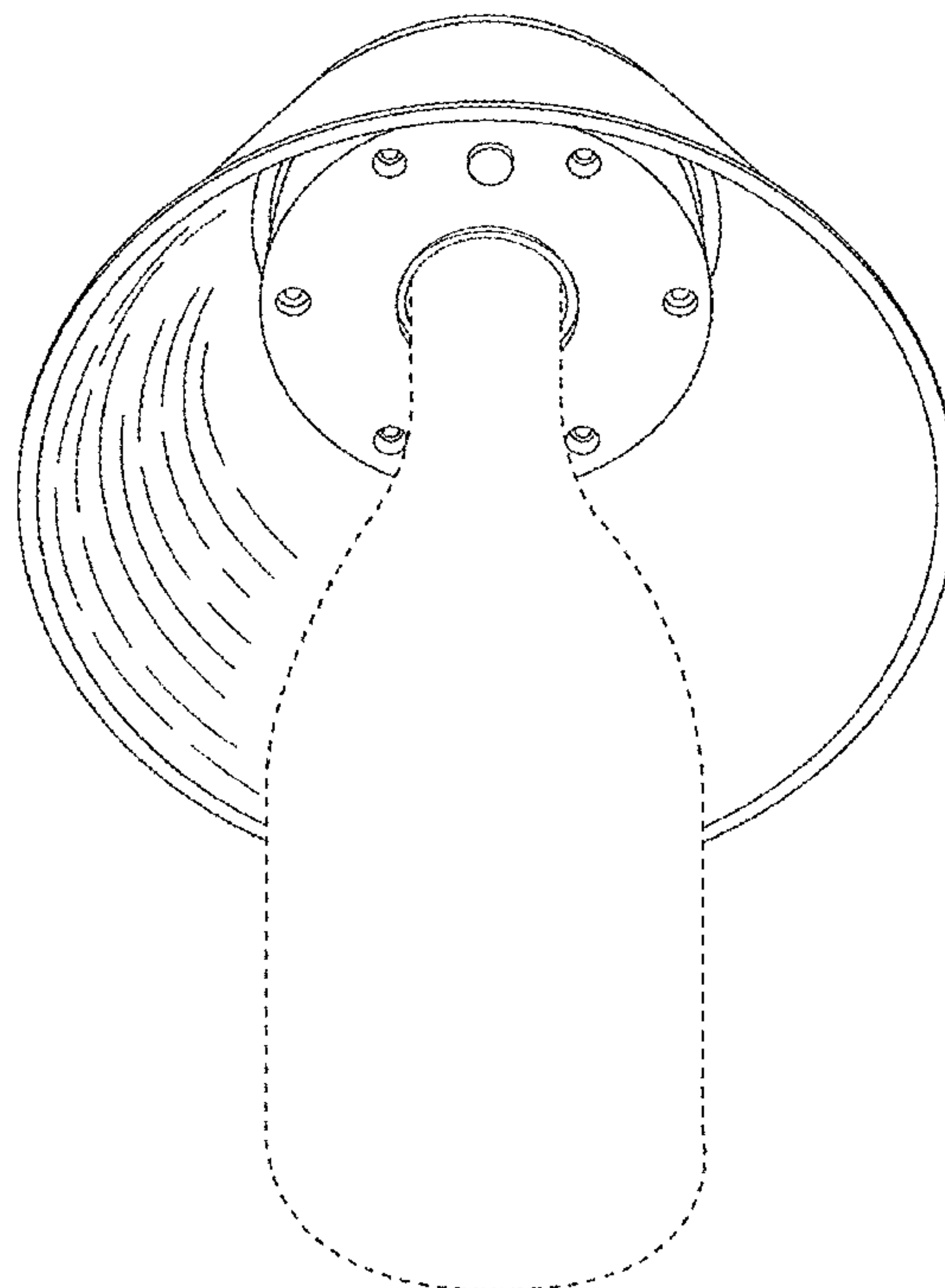
U.S. PATENT DOCUMENTS

3,819,931 A * 6/1974 Green F21S 48/155
362/341
D419,716 S * 1/2000 Parrochia D26/118

FIG. 9 is an isometric bottom view of a the combined bottle light and shade shown in an environment of use.

The broken line portions shown in FIGS. 6 through 9 illustrate environmental subject matter only and form no part of the claimed design.

1 Claim, 7 Drawing Sheets



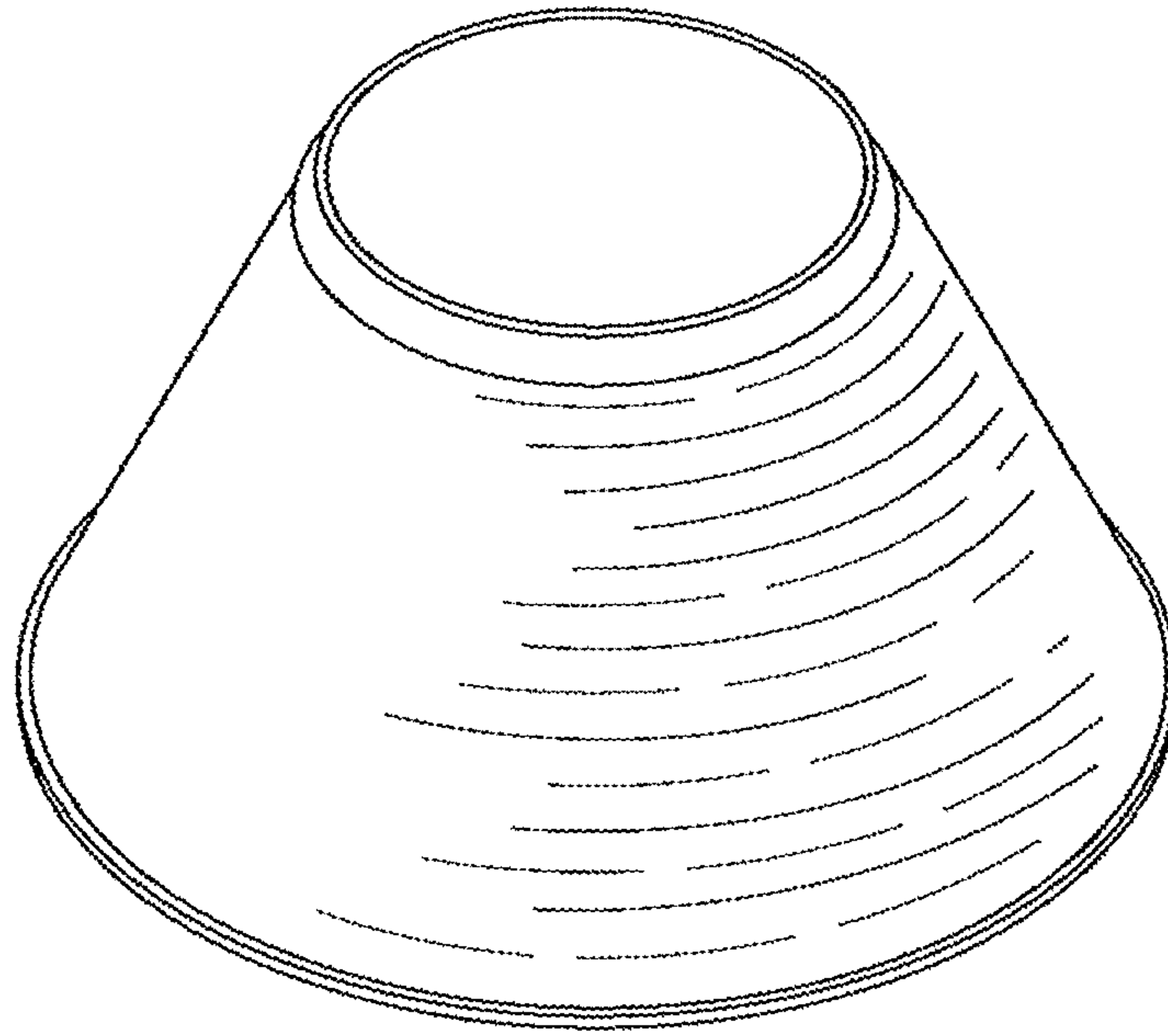


Fig. 1

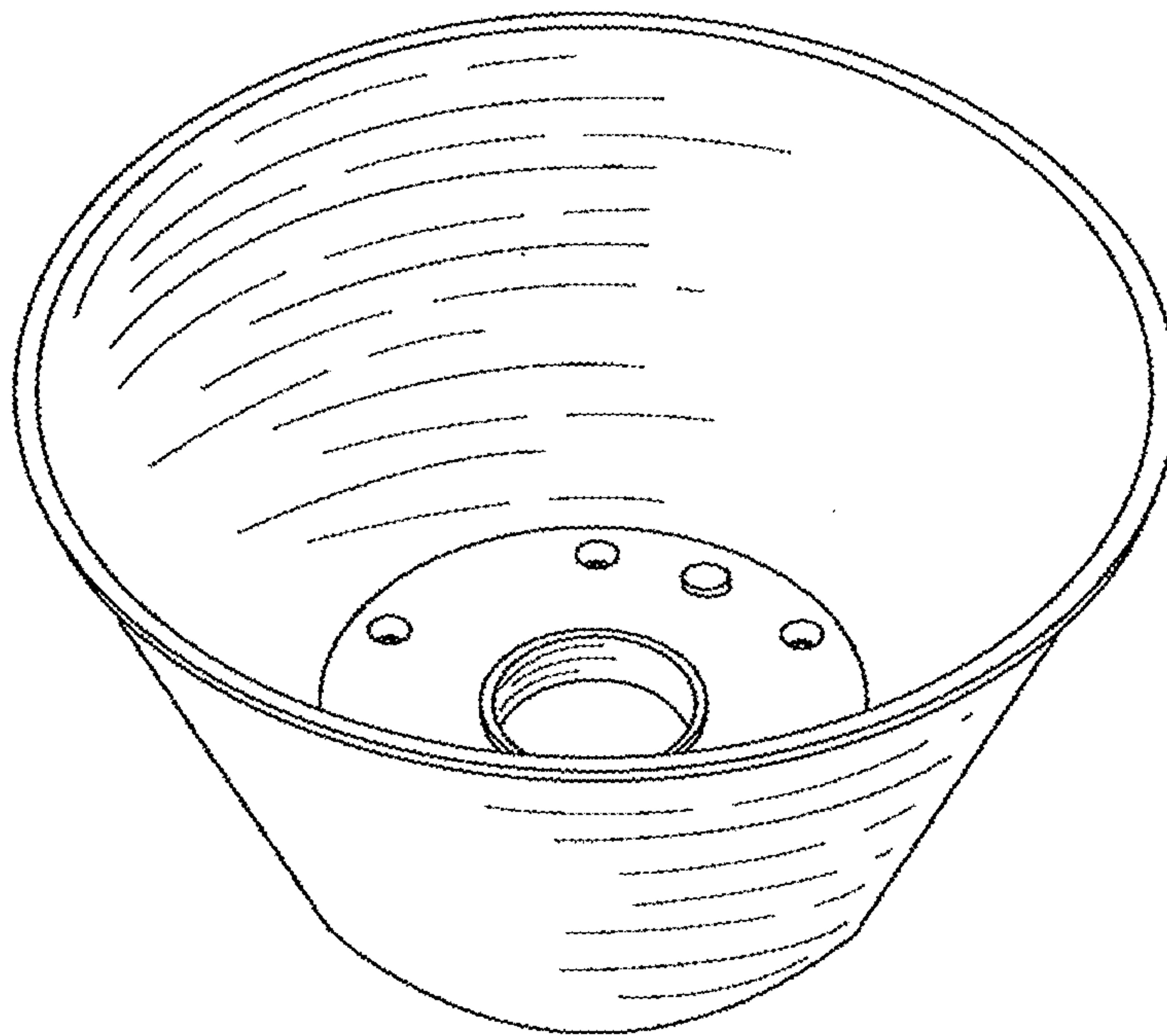


Fig. 2

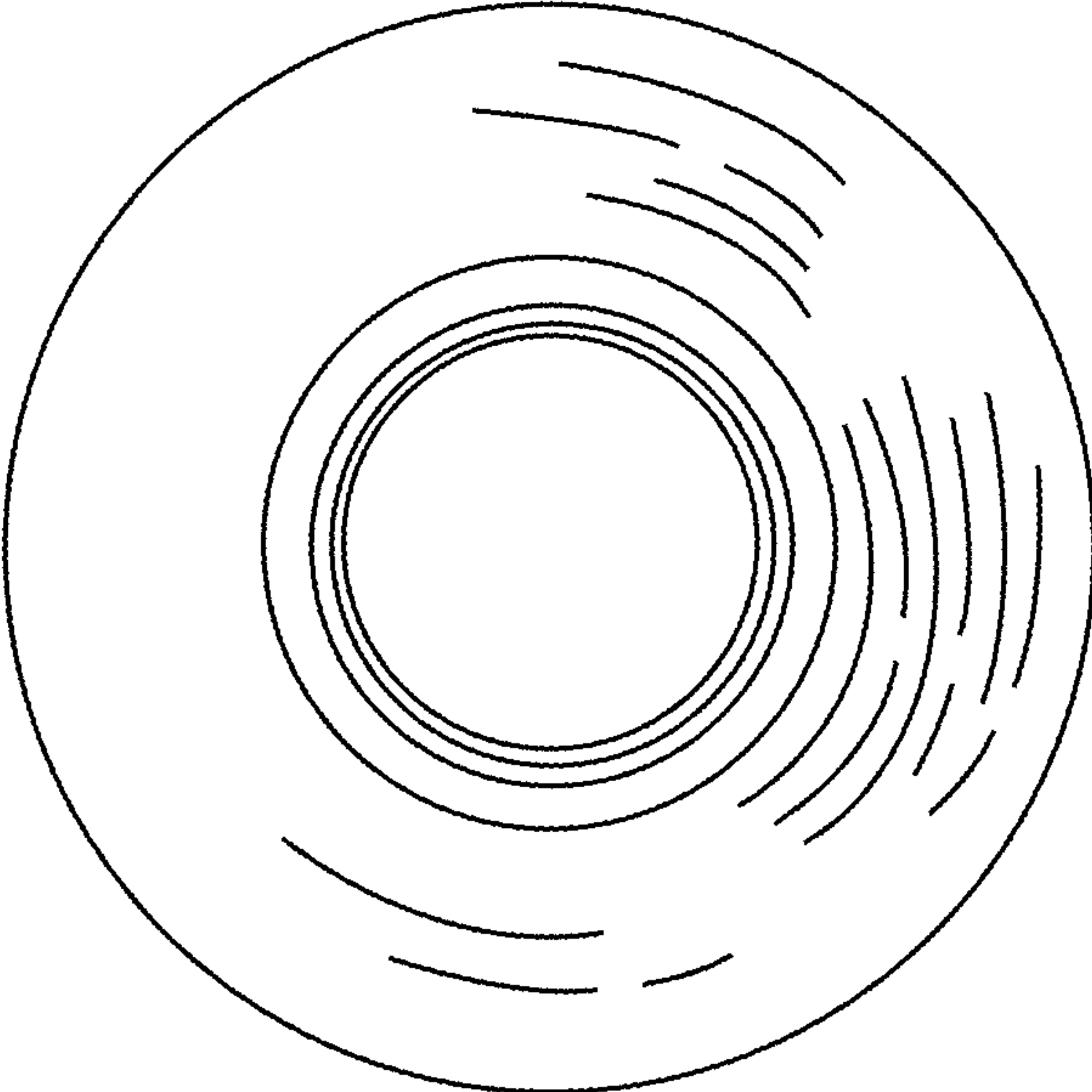


Fig. 3

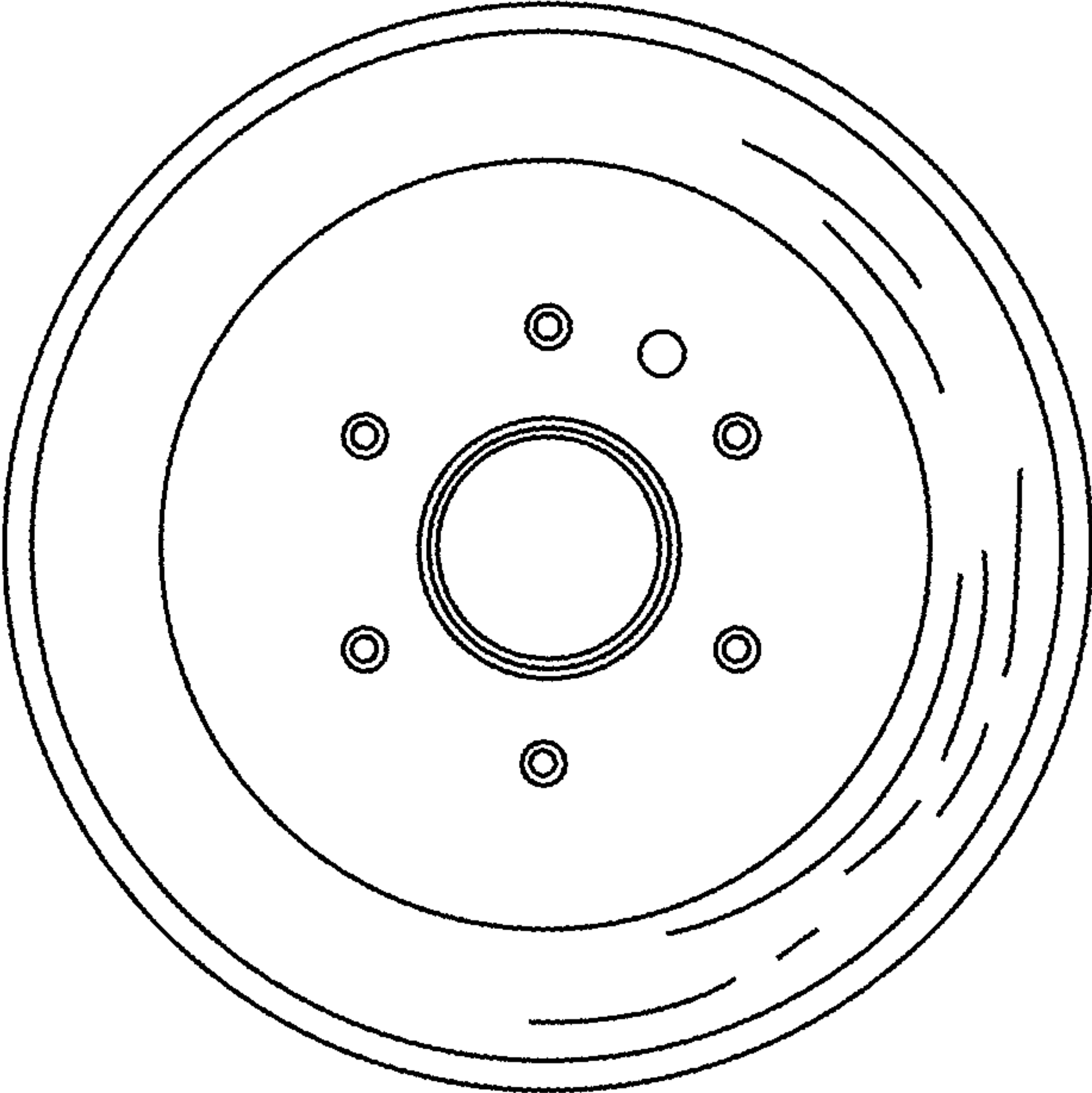


Fig. 4

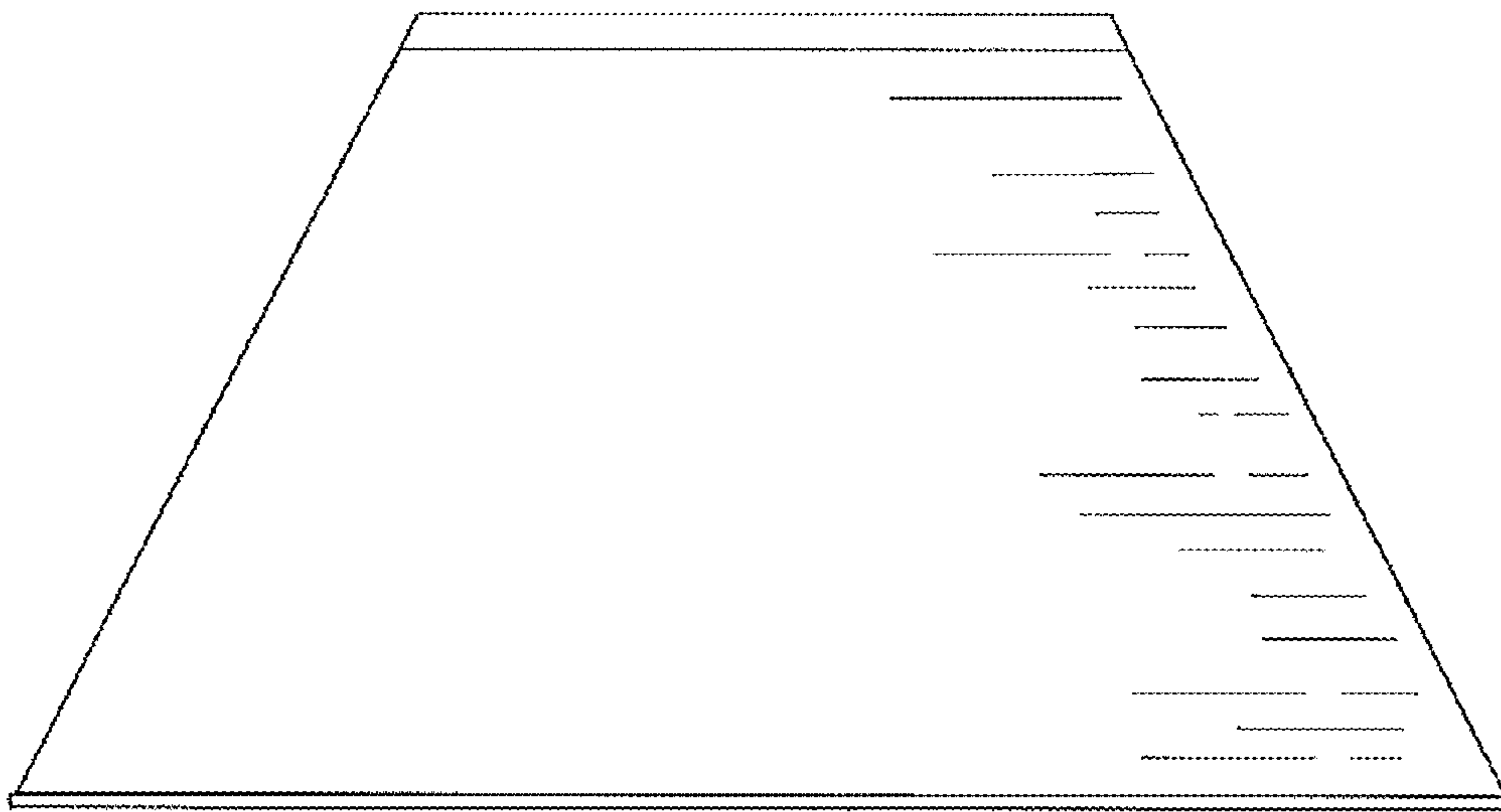


Fig. 5

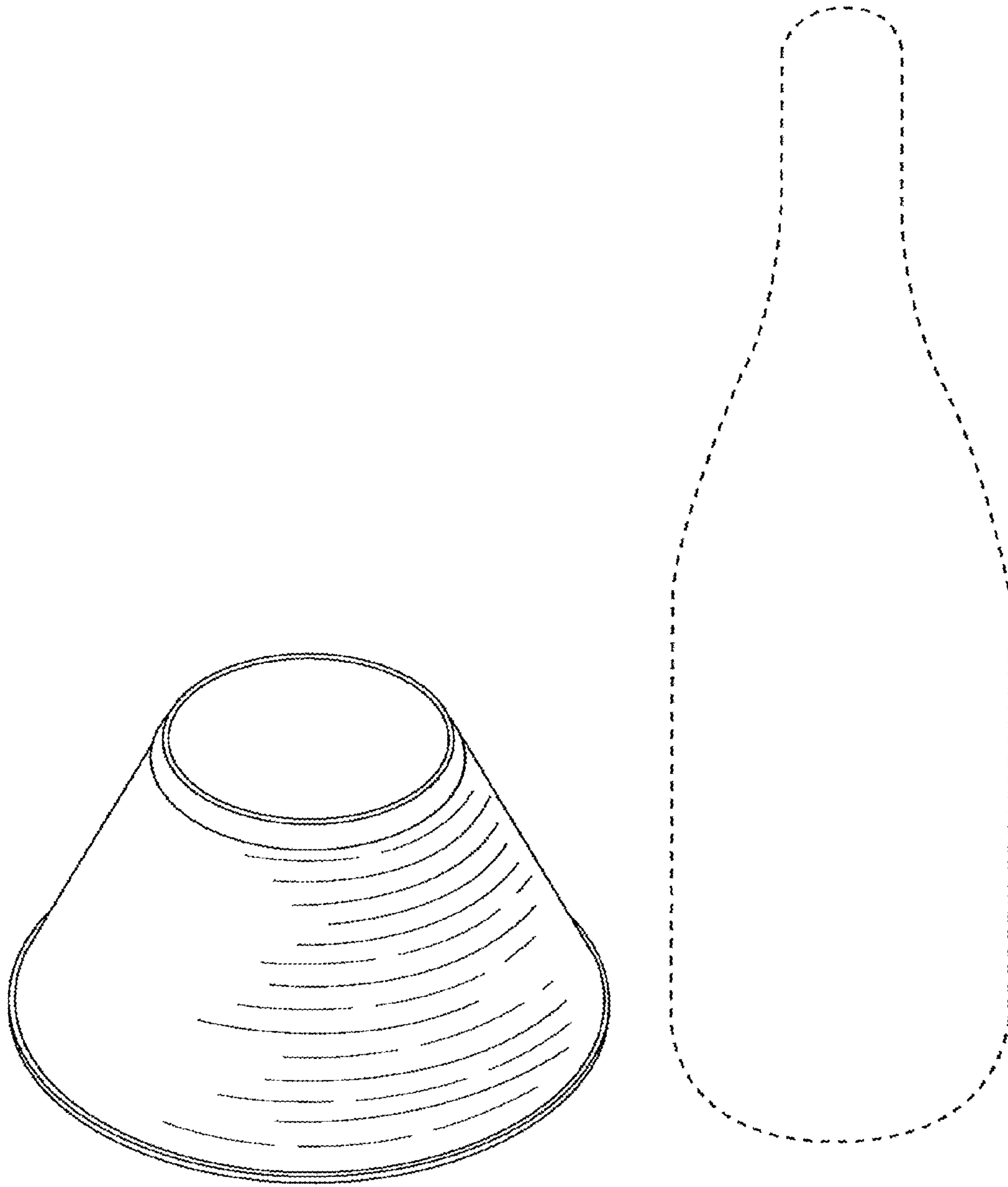


Fig. 6

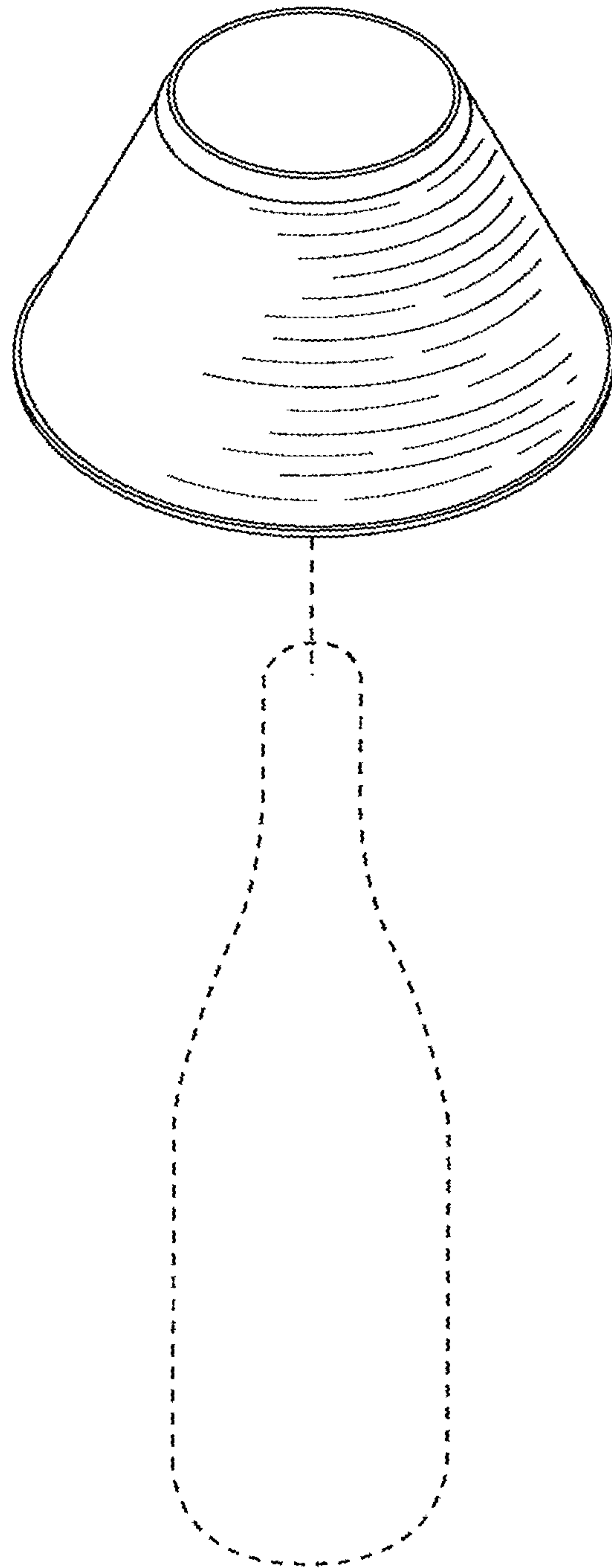


Fig. 7

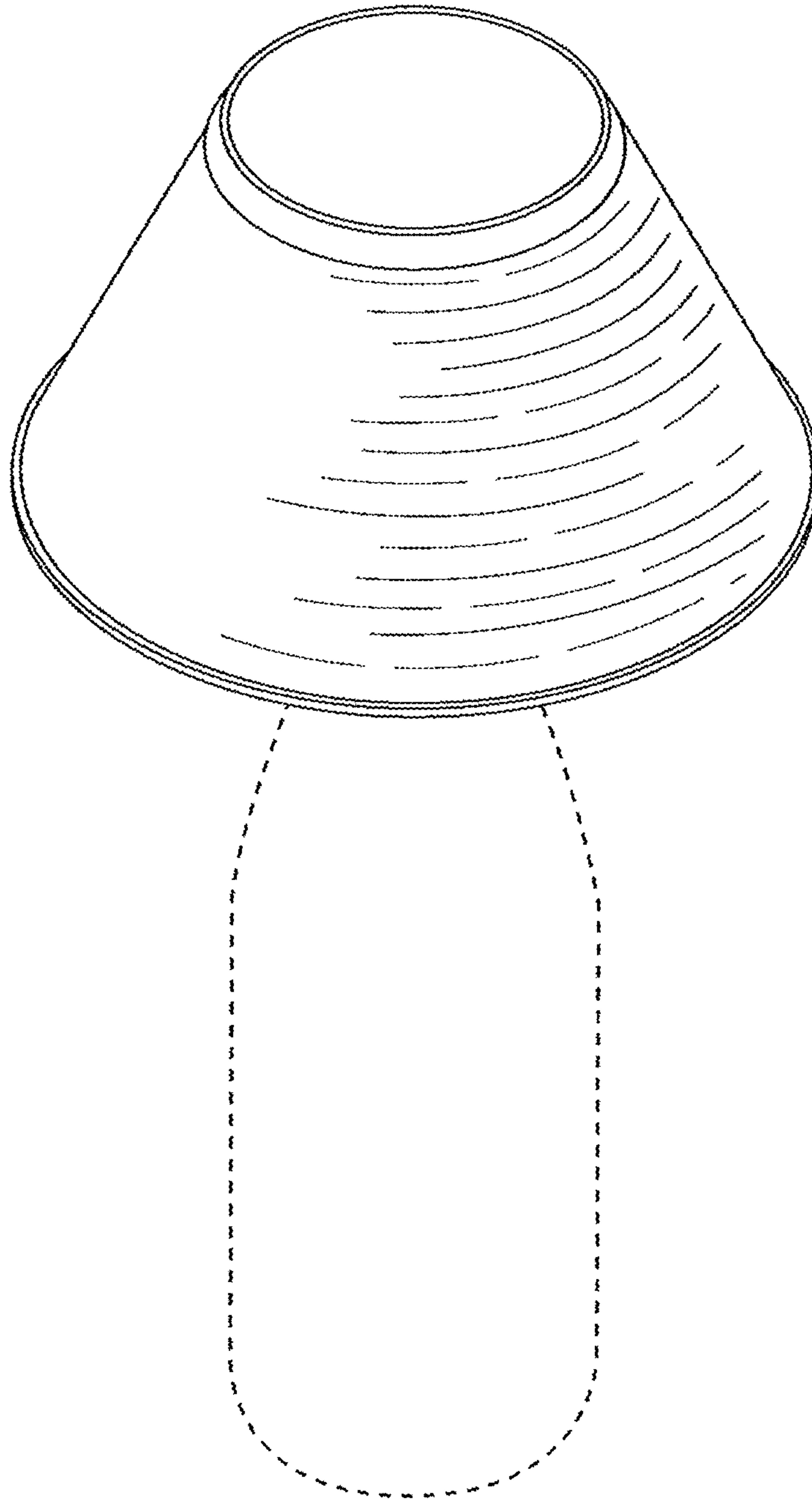


Fig. 8

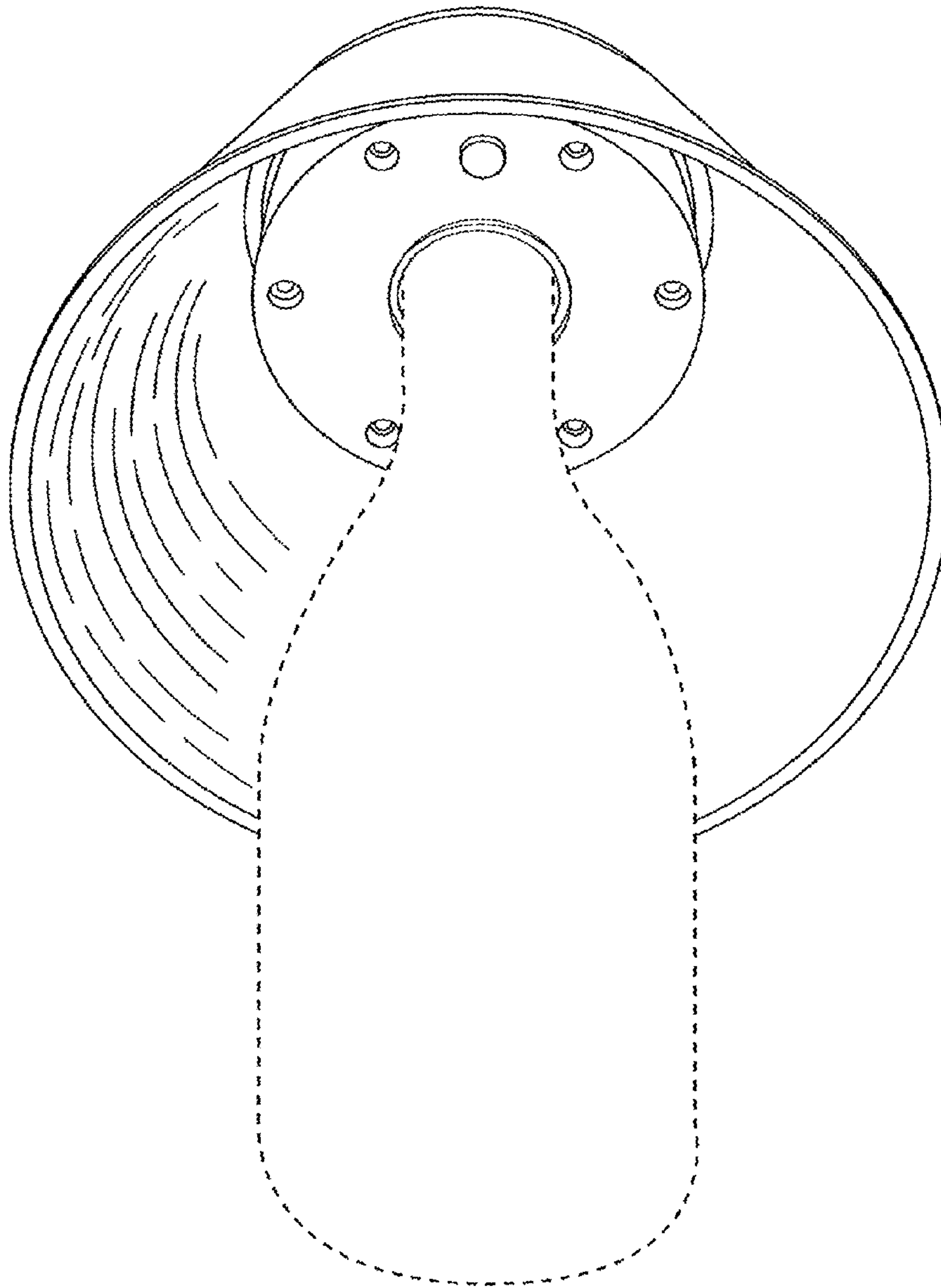


Fig. 9