



US00D768910S

(12) **United States Design Patent**  
**Reynolds**

(10) **Patent No.:** **US D768,910 S**  
(45) **Date of Patent:** **\*\* Oct. 11, 2016**

(54) **LIGHT REFLECTOR**

(71) Applicant: **IP Holdings, LLC**, Vancouver, WA  
(US)

(72) Inventor: **Christopher Reynolds**, Vancouver, WA  
(US)

(73) Assignee: **IP Holdings, LLC**, Vancouver, WA  
(US)

(\*\*) Term: **14 Years**

(21) Appl. No.: **29/523,998**

(22) Filed: **Apr. 15, 2015**

(51) **LOC (10) Cl.** ..... **29-99**

(52) **U.S. Cl.**  
USPC ..... **D26/118**

(58) **Field of Classification Search**

USPC ..... D26/9, 10, 12, 13, 15, 16, 24, 51, 61,  
D26/72, 76, 80, 81, 85, 86, 88, 90, 113, 118,  
D26/119, 120, 122, 128, 129, 138, 143, 144  
CPC ..... B60Q 1/04; B60Q 1/26; F21S 8/026;  
F21S 8/04; F21V 29/004; F21V 21/02;  
F21V 21/04; F21V 7/22; F21V 29/2212;  
F21V 29/83; F21V 37/002; F21V 7/00;  
F21L 19/00; F23D 11/443; F21Y 2101/02;  
A61L 9/037

See application file for complete search history.

(56) **References Cited**

**U.S. PATENT DOCUMENTS**

D85,382 S	10/1931	Guth
2,194,841 A	3/1940	Welch
D177,532 S	4/1956	Meyer
3,025,391 A	3/1962	Golko
D193,802 S	10/1962	Thomsen
3,125,301 A	3/1964	Stotter
3,272,978 A	9/1966	Jackson
4,078,169 A	3/1978	Armstrong
D259,738 S	6/1981	Boschetti

4,669,033 A	5/1987	Lee
4,814,954 A	3/1989	Spitz
4,933,821 A	6/1990	Anderson
D311,597 S	10/1990	Poot
5,132,885 A	7/1992	Hocheim
5,192,129 A	3/1993	Figuroa
5,195,822 A	3/1993	Takahashi
5,440,470 A	8/1995	Ly
5,570,947 A	11/1996	Felland
D376,437 S	12/1996	Karlo
D383,243 S	9/1997	Fry

(Continued)

*Primary Examiner* — Brian N Vinson

(74) *Attorney, Agent, or Firm* — J. Douglas Wells

(57) **CLAIM**

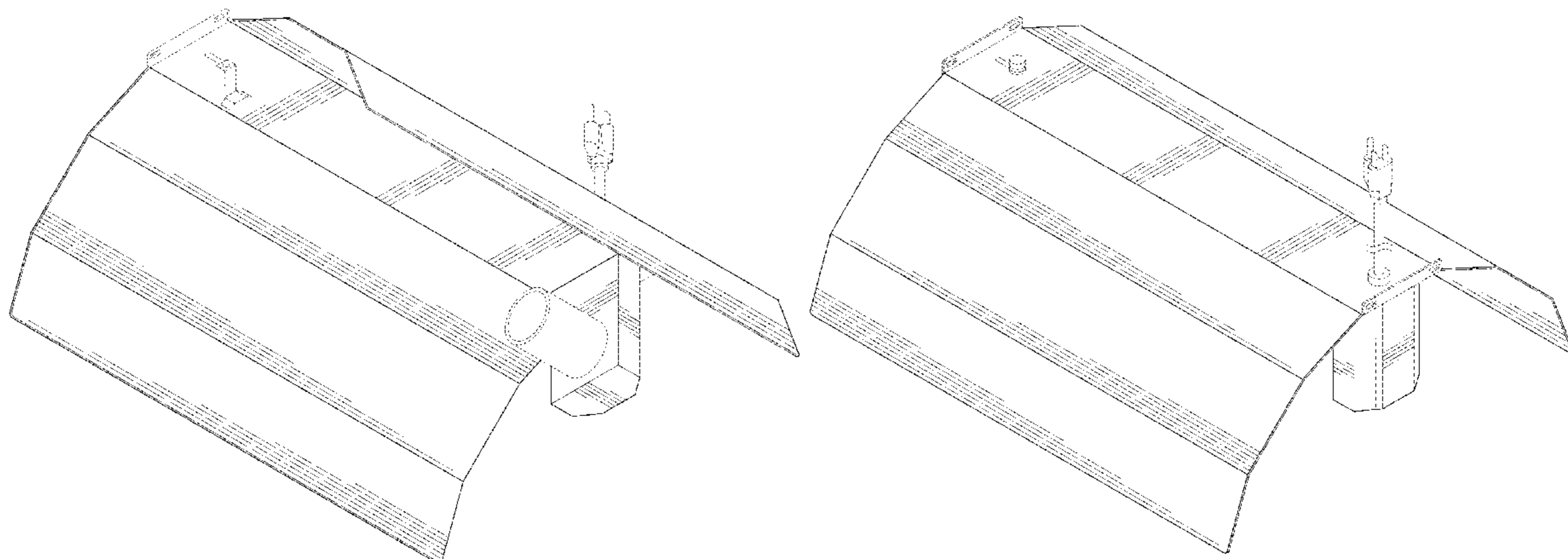
The ornamental design for a light reflector, as shown and described.

**DESCRIPTION**

FIG. 1 is a perspective view of a light reflector, as viewed from below, showing my new design;  
FIG. 2 is a perspective view of the light reflector shown in FIG. 1, as viewed from above;  
FIG. 3 is a left side view of the light reflector shown in FIG. 1;  
FIG. 4 is a right side view of the light reflector shown in FIG. 1;  
FIG. 5 is a front elevation view of the light reflector shown in FIG. 1;  
FIG. 6 is a rear elevation view of the light reflector shown in FIG. 1;  
FIG. 7 is a top plan view of the light reflector shown in FIG. 1; and,  
FIG. 8 is a bottom plan view of the light reflector shown in FIG. 1.

The broken-line disclosure shown in the views is understood to represent portions of the article in which the claimed design is embodied, but which form no part of the claimed design.

**1 Claim, 8 Drawing Sheets**



(56)

References Cited

U.S. PATENT DOCUMENTS

D397,481 S 8/1998 Shafer  
 D399,328 S 10/1998 Compton  
 D400,289 S 10/1998 Wardenburg  
 D415,304 S 10/1999 Brown  
 D418,626 S 1/2000 Herst  
 6,024,468 A 2/2000 Kassay  
 6,042,250 A 3/2000 Stragnola  
 6,053,624 A 4/2000 Cronk  
 D425,237 S 5/2000 Scott  
 D428,516 S \* 7/2000 Reo ..... D26/118  
 6,231,209 B1 5/2001 Leibig  
 D445,943 S 7/2001 Littman  
 6,257,735 B1 7/2001 Baar  
 D447,272 S \* 8/2001 Smith ..... D26/118  
 D456,938 S \* 5/2002 Wardenburg ..... D26/118  
 D467,026 S 12/2002 Parker  
 6,659,628 B2 12/2003 Del Campo  
 6,908,212 B2 6/2005 Schultz  
 D543,652 S \* 5/2007 Hargreaves ..... D26/118  
 D544,136 S 6/2007 Hargreaves  
 D544,994 S 6/2007 Hargreaves

D544,995 S \* 6/2007 Hargreaves ..... D26/118  
 D545,484 S \* 6/2007 Hargreaves ..... D26/118  
 D545,485 S \* 6/2007 Hargreaves ..... D26/118  
 D545,996 S 7/2007 Hargreaves  
 D614,801 S \* 4/2010 Collins ..... D26/118  
 D634,060 S \* 3/2011 Wardenburg ..... D26/118  
 D634,469 S \* 3/2011 Hargreaves ..... D26/118  
 D675,369 S \* 1/2013 Michaud ..... D26/118  
 D693,959 S \* 11/2013 Boyer ..... D26/118  
 D698,986 S \* 2/2014 Reynolds ..... D26/118  
 8,905,575 B2 \* 12/2014 Durkee ..... F21V 7/0008  
 362/218  
 D731,701 S \* 6/2015 Hargreaves ..... D26/118  
 D732,235 S \* 6/2015 Reynolds ..... D26/118  
 D732,236 S \* 6/2015 Reynolds ..... D26/118  
 D736,450 S \* 8/2015 Reynolds ..... D26/118  
 D740,486 S \* 10/2015 Stanley ..... D26/118  
 D747,029 S \* 1/2016 Reynolds ..... D26/118  
 D748,849 S \* 2/2016 Stanley ..... D26/118  
 D750,316 S \* 2/2016 Reynolds ..... D26/118  
 D751,244 S \* 3/2016 Reynolds ..... D26/118  
 D751,247 S \* 3/2016 Reynolds ..... D26/118  
 2002/0141195 A1 10/2002 Wardenburg

\* cited by examiner

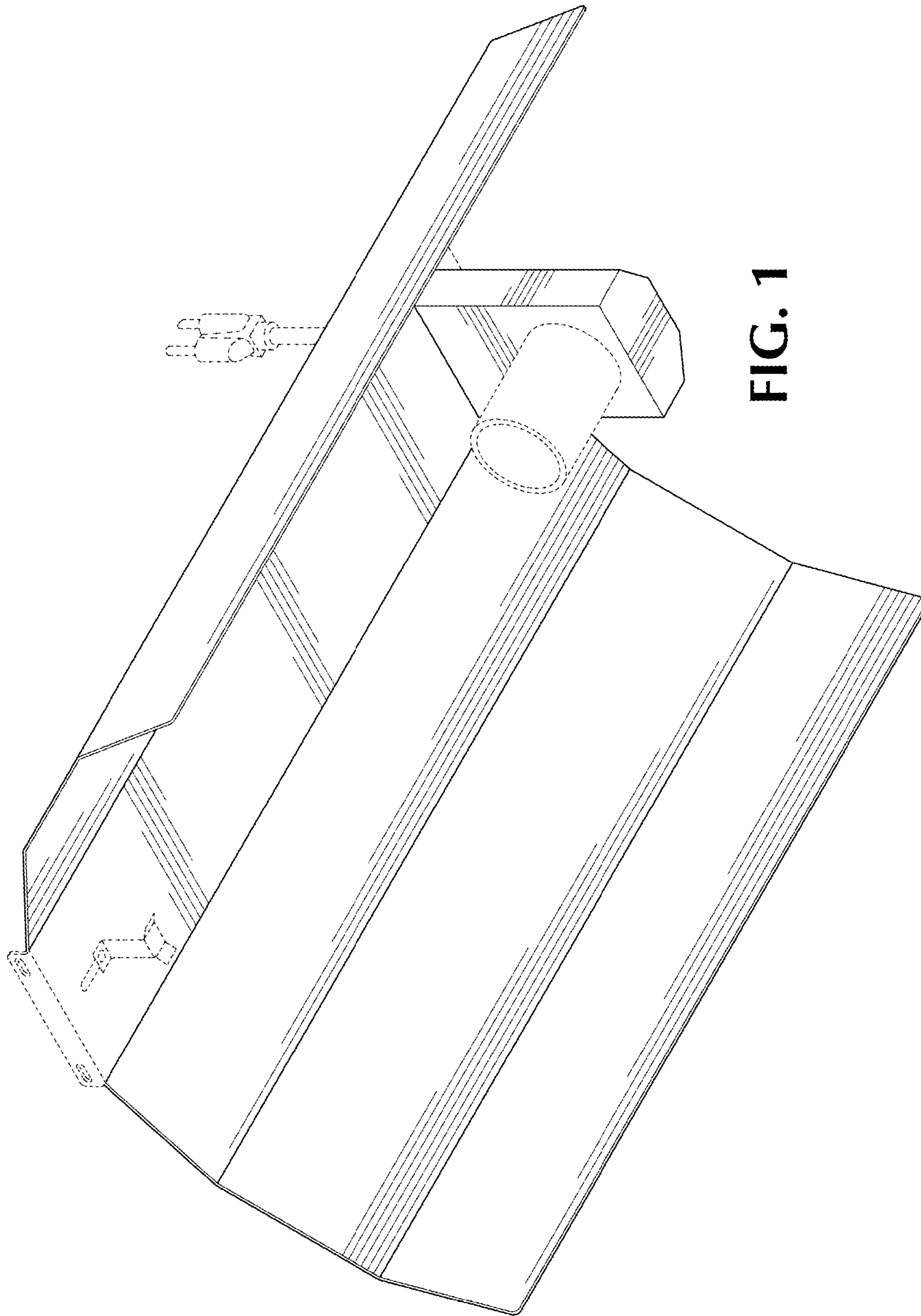


FIG. 1

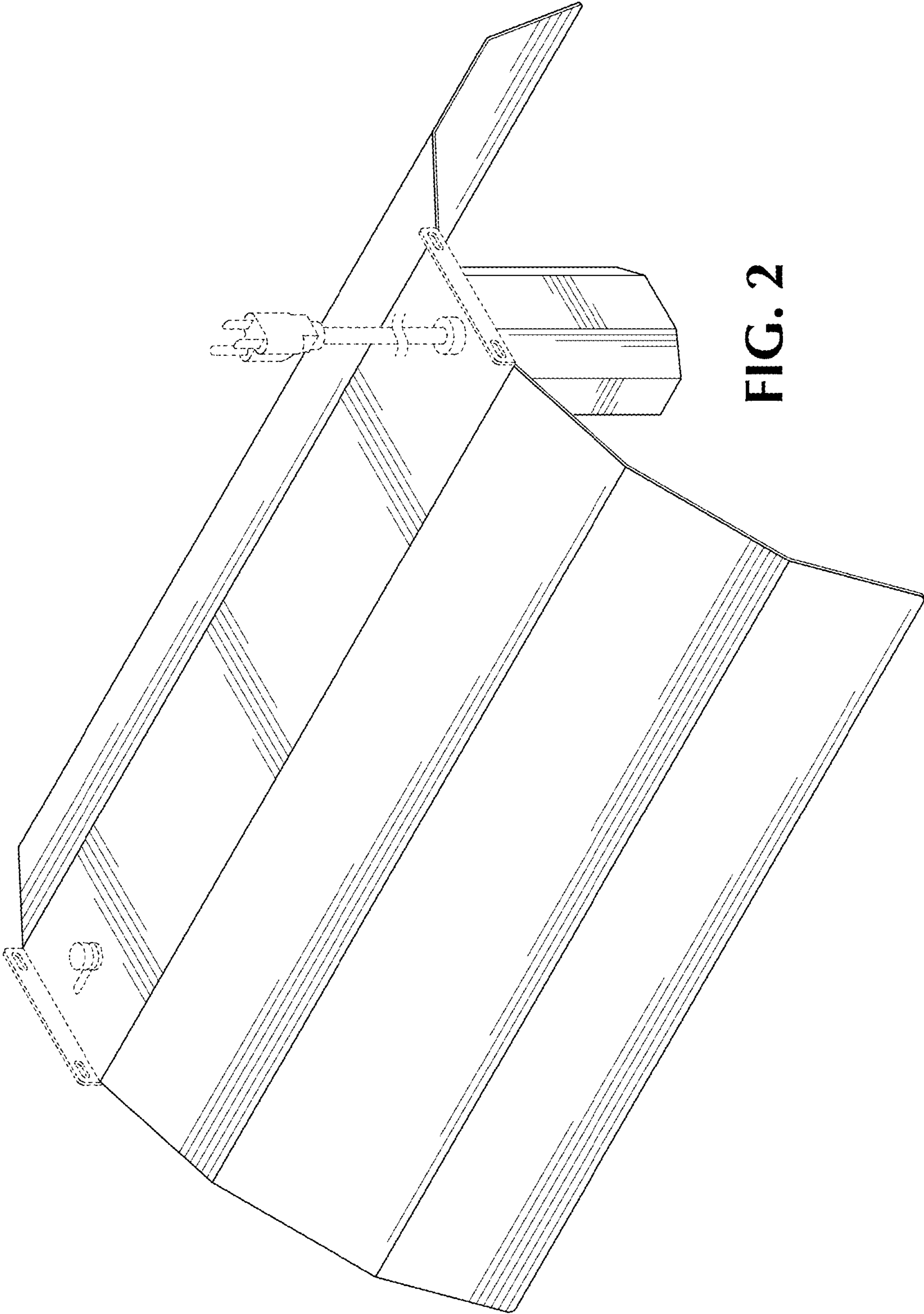


FIG. 2

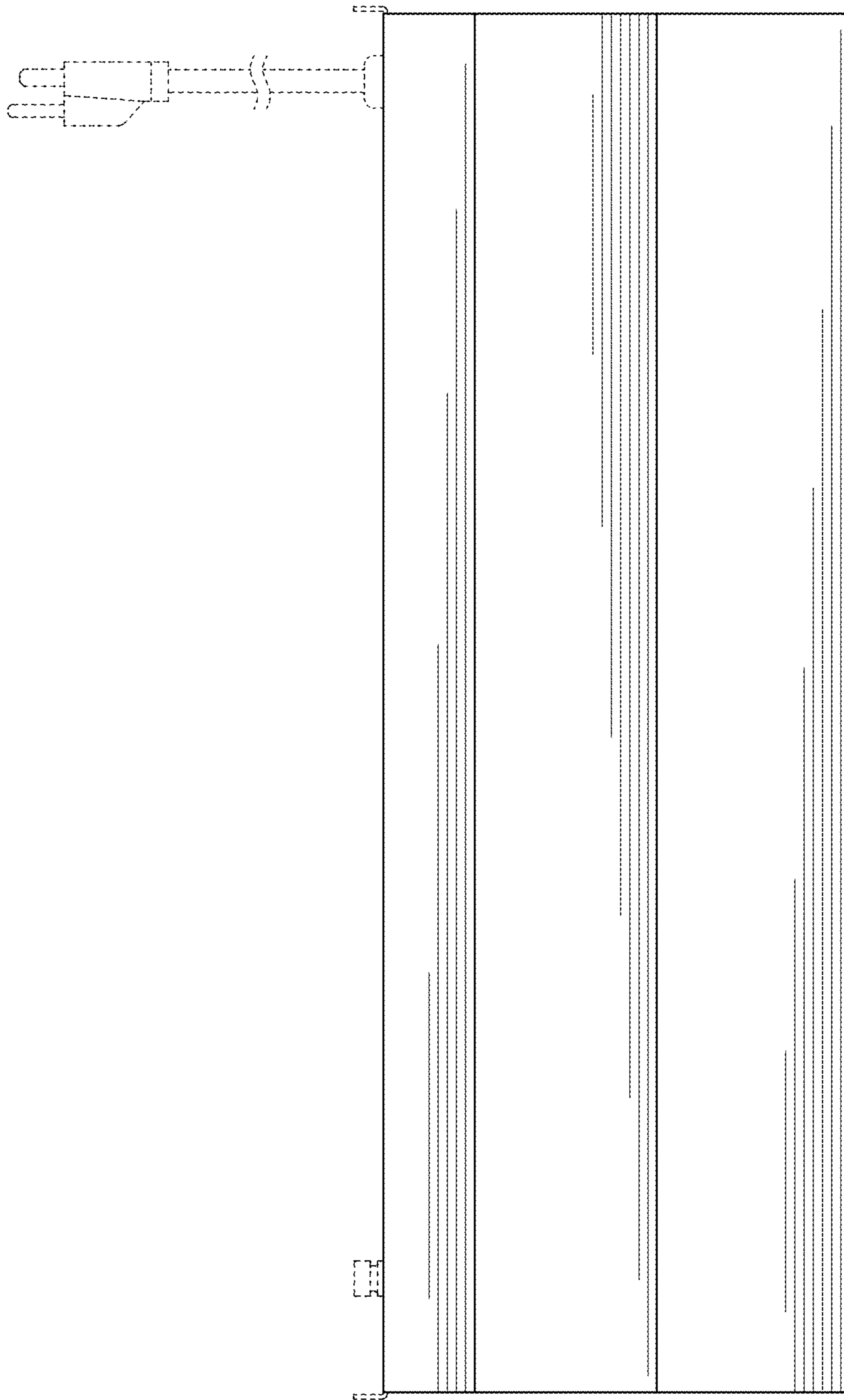


FIG. 3

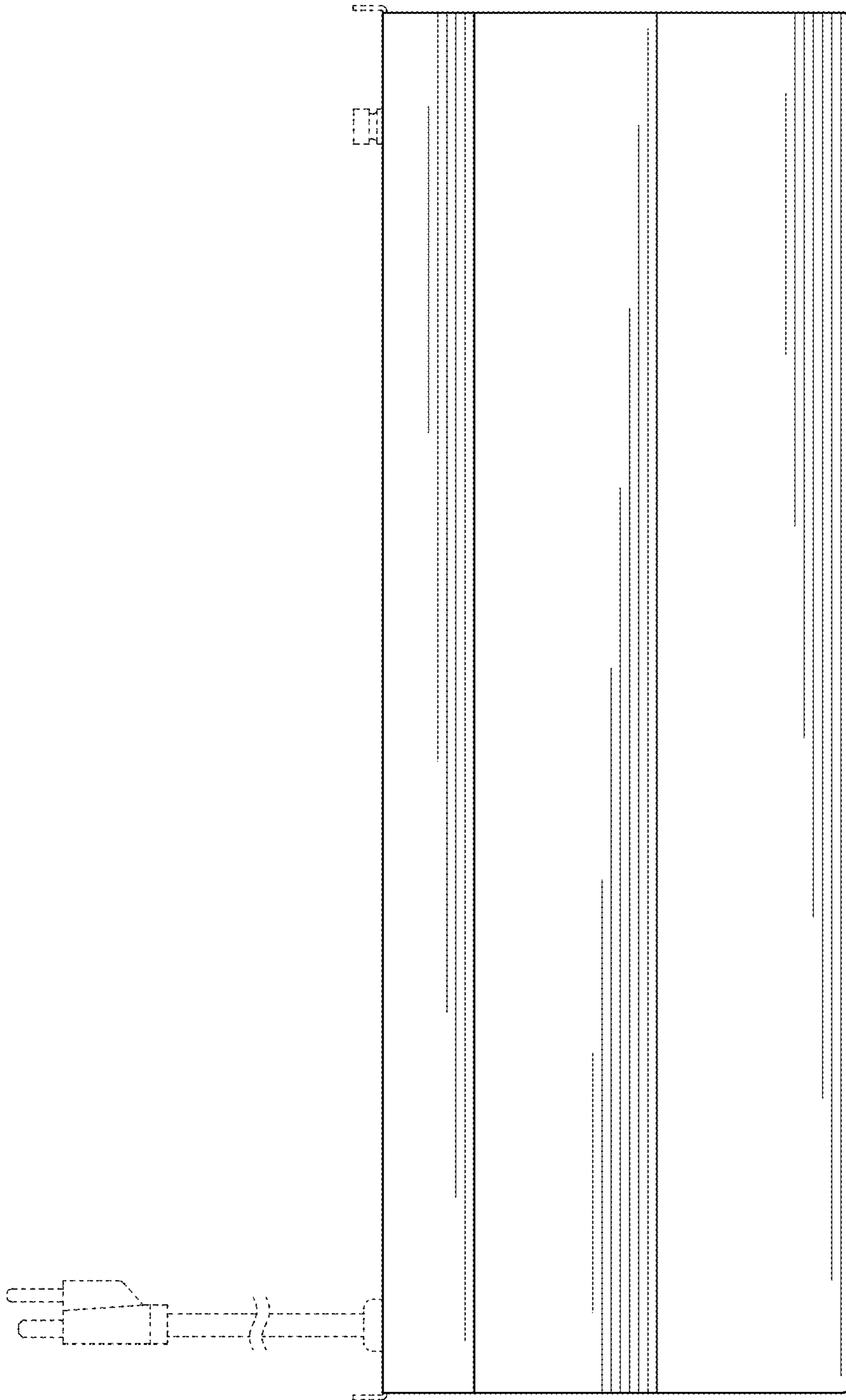
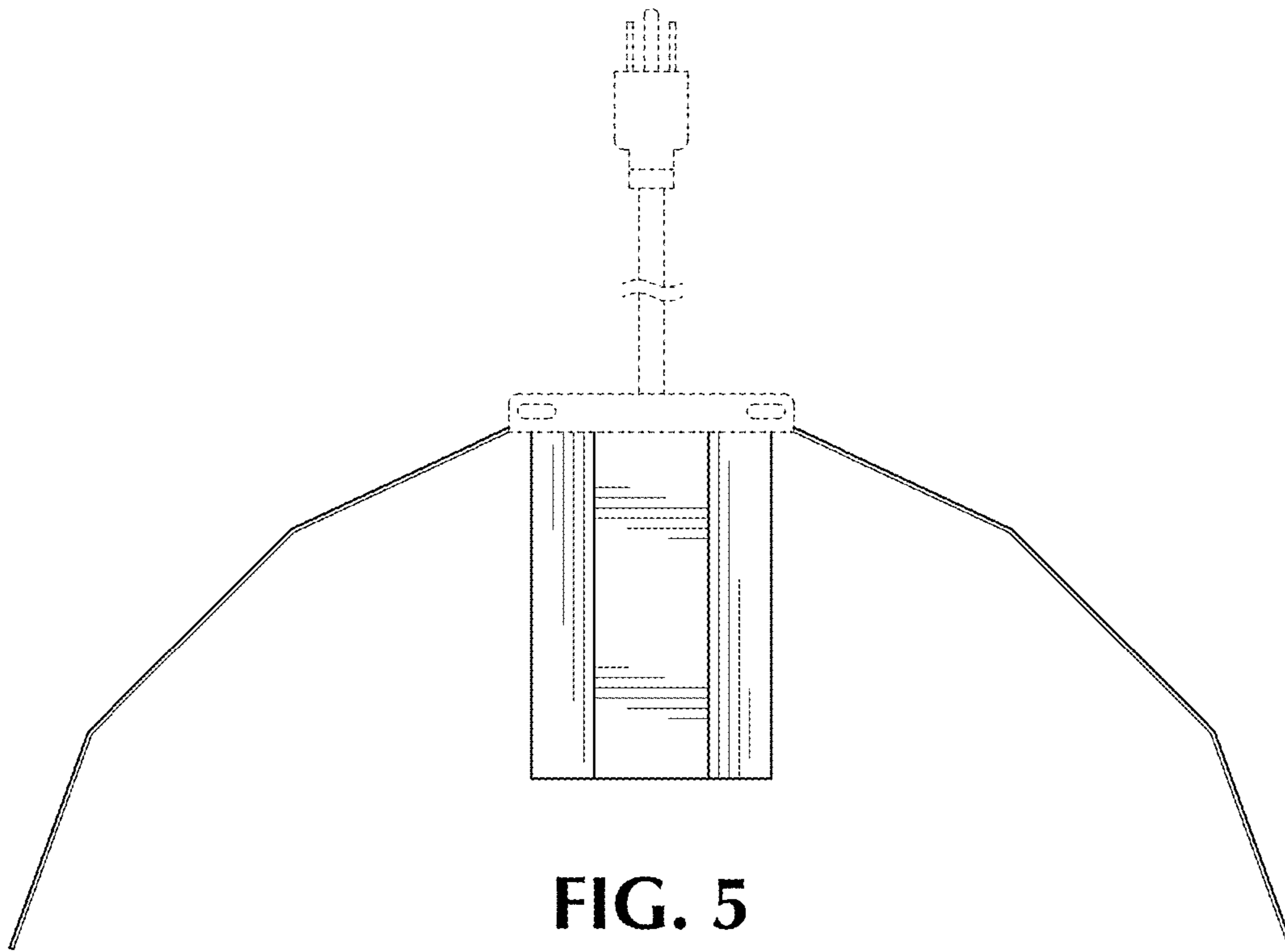
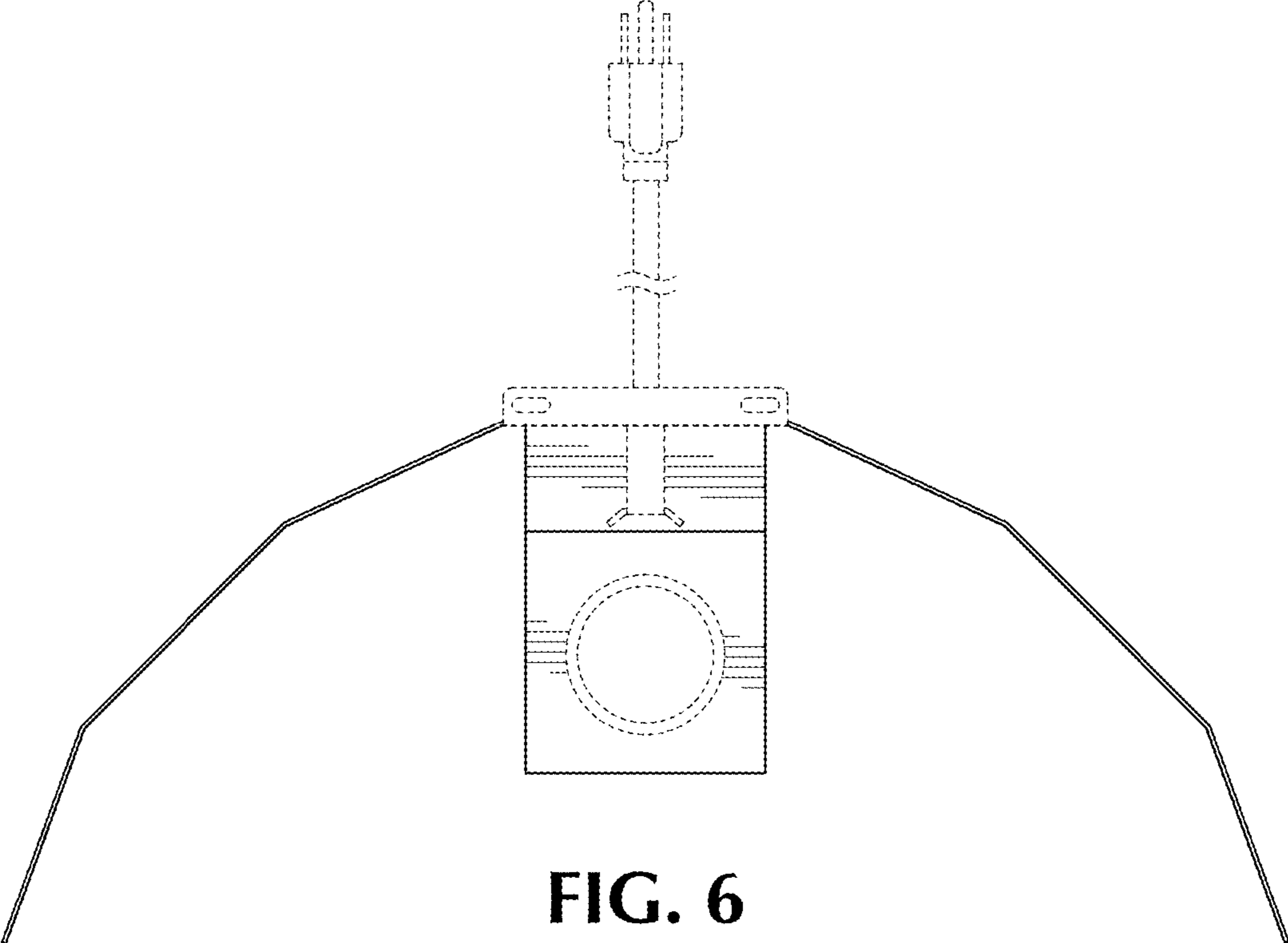


FIG. 4



**FIG. 5**



**FIG. 6**



FIG. 7

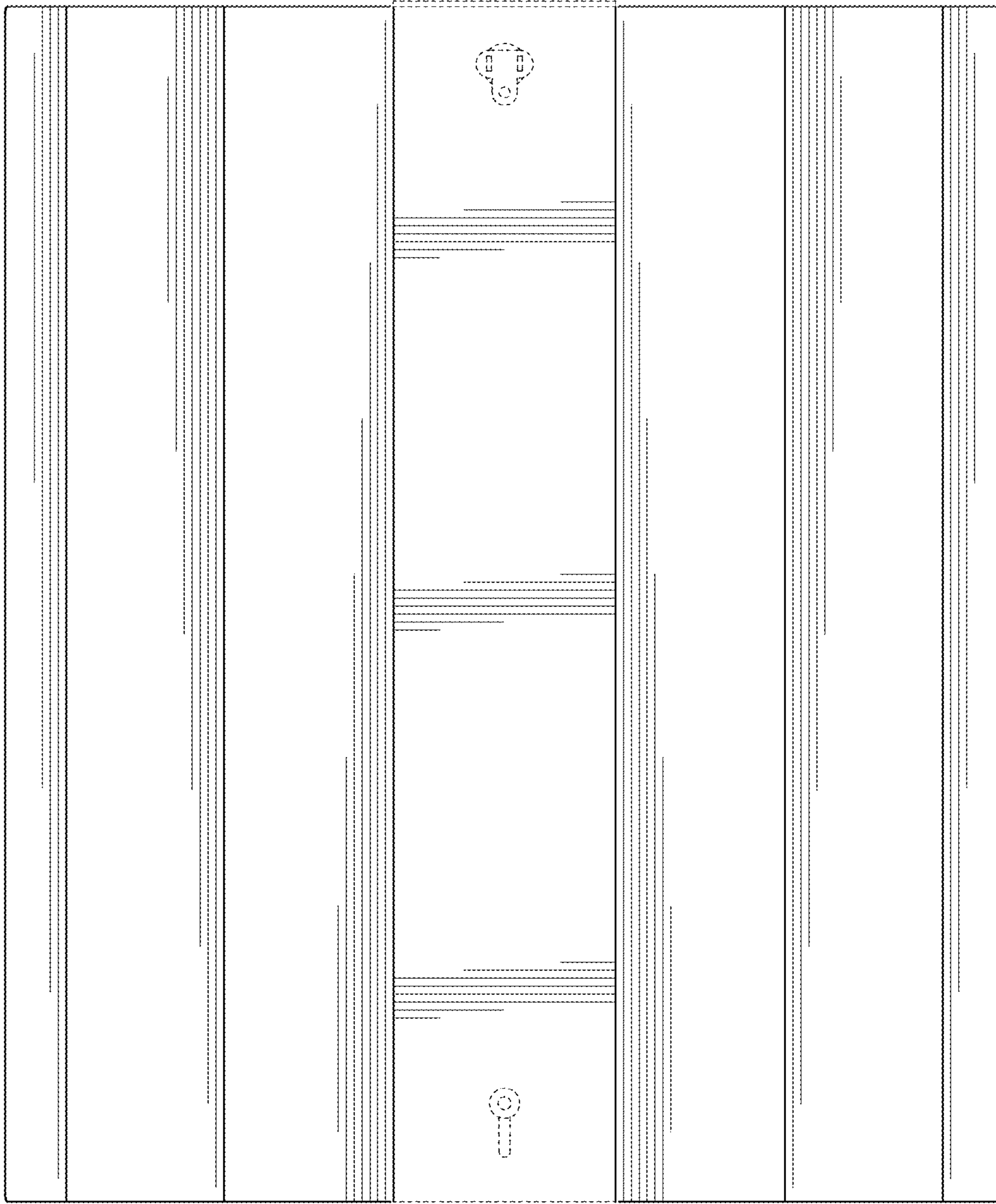


FIG. 8

