



US00D768909S

(12) **United States Design Patent**
Maier

(10) **Patent No.:** **US D768,909 S**
(45) **Date of Patent:** **** Oct. 11, 2016**

(54) **TABLE LAMP**

D414,289 S * 9/1999 Diaz-Azcuy D26/110
D590,092 S * 4/2009 Starck D26/93
D647,242 S * 10/2011 Staples D26/93

(71) Applicant: **Bottega Veneta SA**, Cadempino (CH)

(72) Inventor: **Tomas Maier**, Delray Beach, FL (US)

* cited by examiner

(73) Assignee: **BOTTEGA VENETA SA**, Cadempino (CH)

Primary Examiner — Brian N Vinson

(74) *Attorney, Agent, or Firm* — Lucas & Mercanti, LLP

(**) Term: **14 Years**

(21) Appl. No.: **29/503,465**

(57) **CLAIM**

The ornamental design for a table lamp, as shown and described.

(22) Filed: **Sep. 26, 2014**

(30) **Foreign Application Priority Data**

Apr. 11, 2014 (WO) DM/083387

DESCRIPTION

(51) **LOC (10) Cl.** **26-03**

(52) **U.S. Cl.**
USPC **D26/110**

(58) **Field of Classification Search**
USPC D26/24, 93, 95, 104, 106, 110
CPC F21S 6/00; F21S 6/002; F21S 6/004;
F21S 6/008; F21S 8/08; F21V 21/00; F21V
21/02; F21W 2131/30
See application file for complete search history.

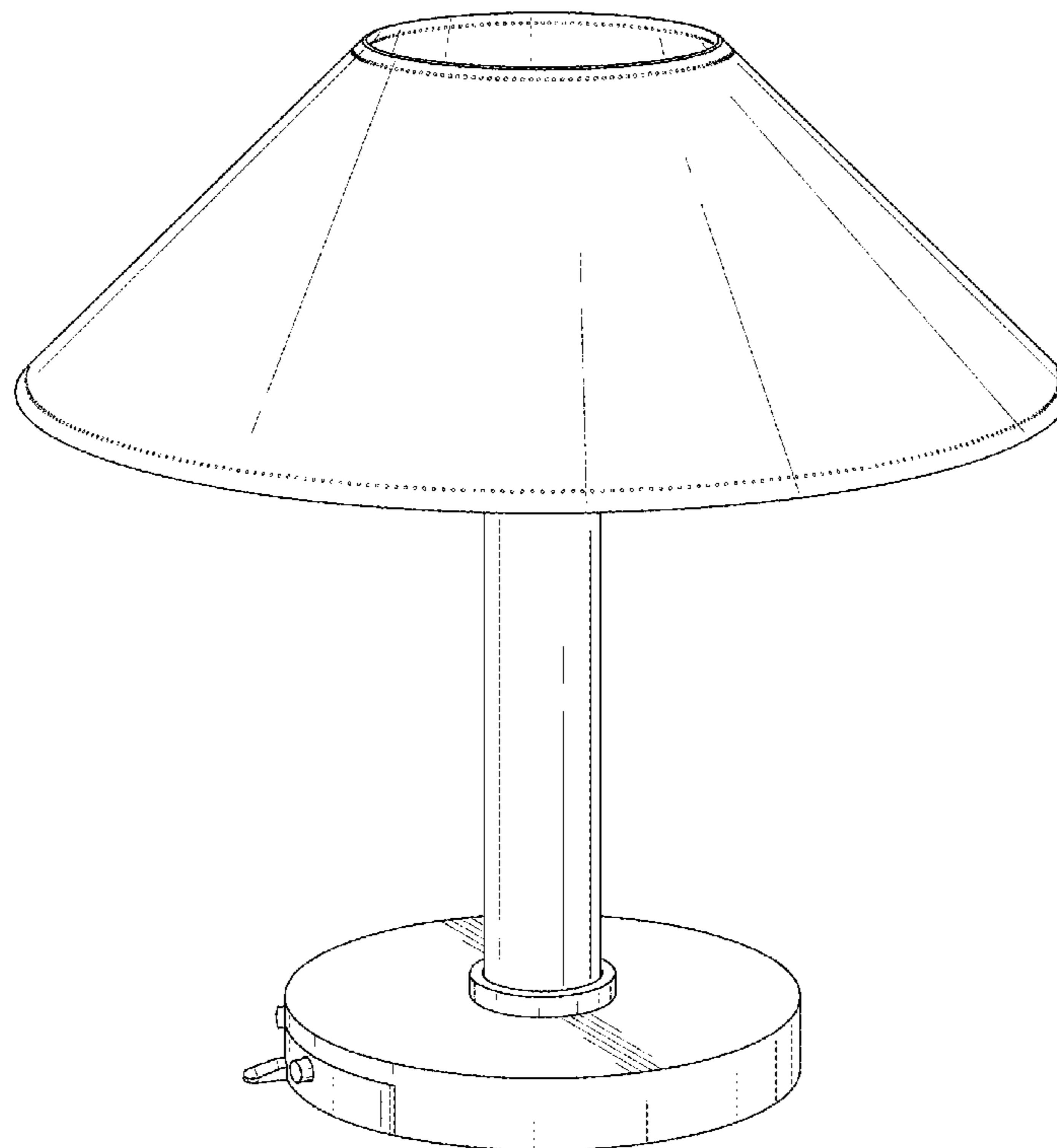
FIG. 1 is a perspective view of a table lamp showing my new design;
FIG. 2 is a front view thereof, the rear and side views being all identical;
FIG. 3 is a top view thereof;
FIG. 4 is a bottom view thereof;
FIG. 5 is an enlarged, fragmentary perspective view thereof, with a portion of the arm and base being omitted for clarity of illustration; and,
FIG. 6 is an enlarged, fragmentary front view thereof, with a portion of the arm and base being omitted for clarity of illustration.

(56) **References Cited**

U.S. PATENT DOCUMENTS

D328,153 S * 7/1992 Benghozi D26/110
D393,917 S * 4/1998 Hutton D26/106

1 Claim, 6 Drawing Sheets



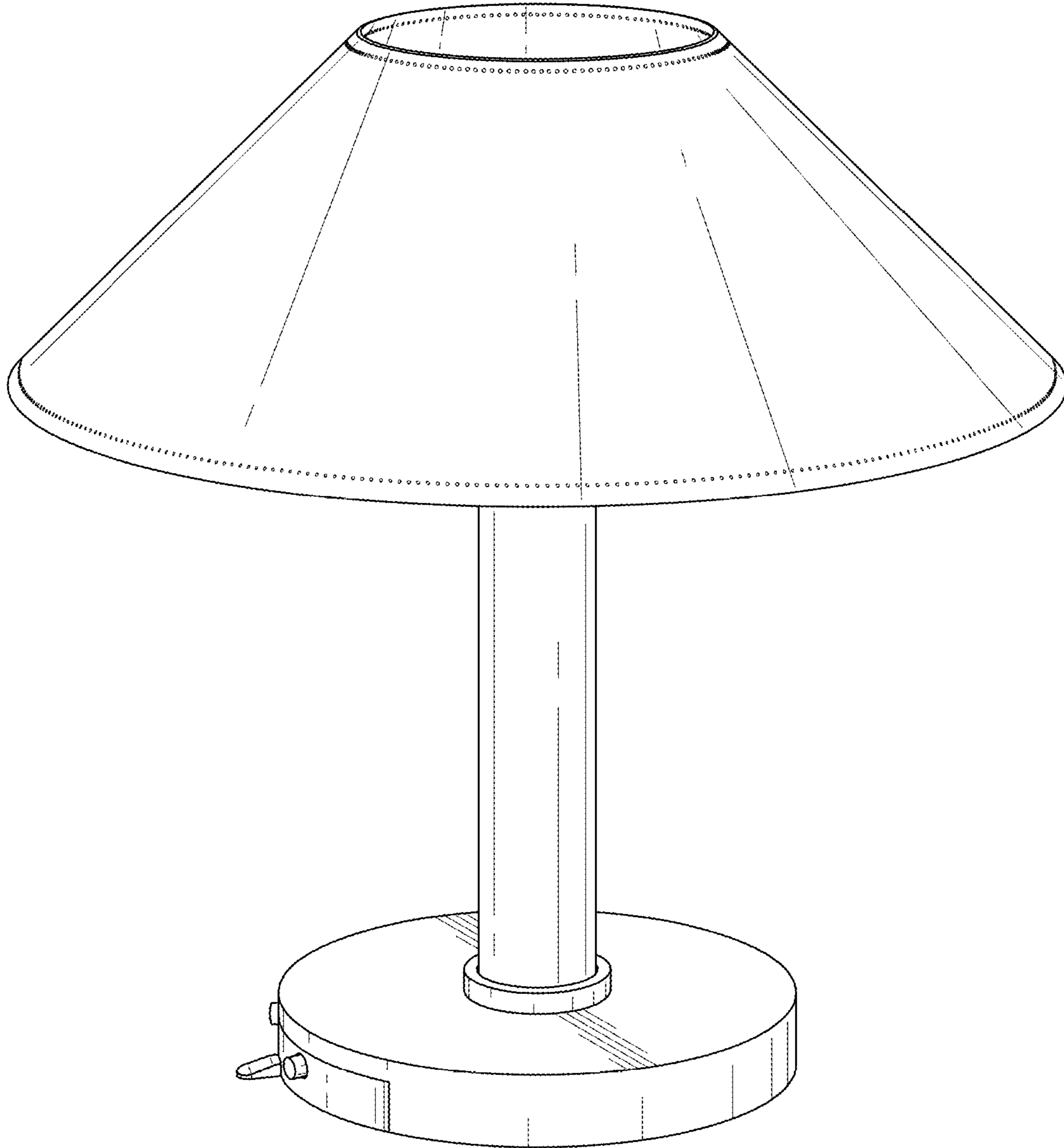


FIG. 1

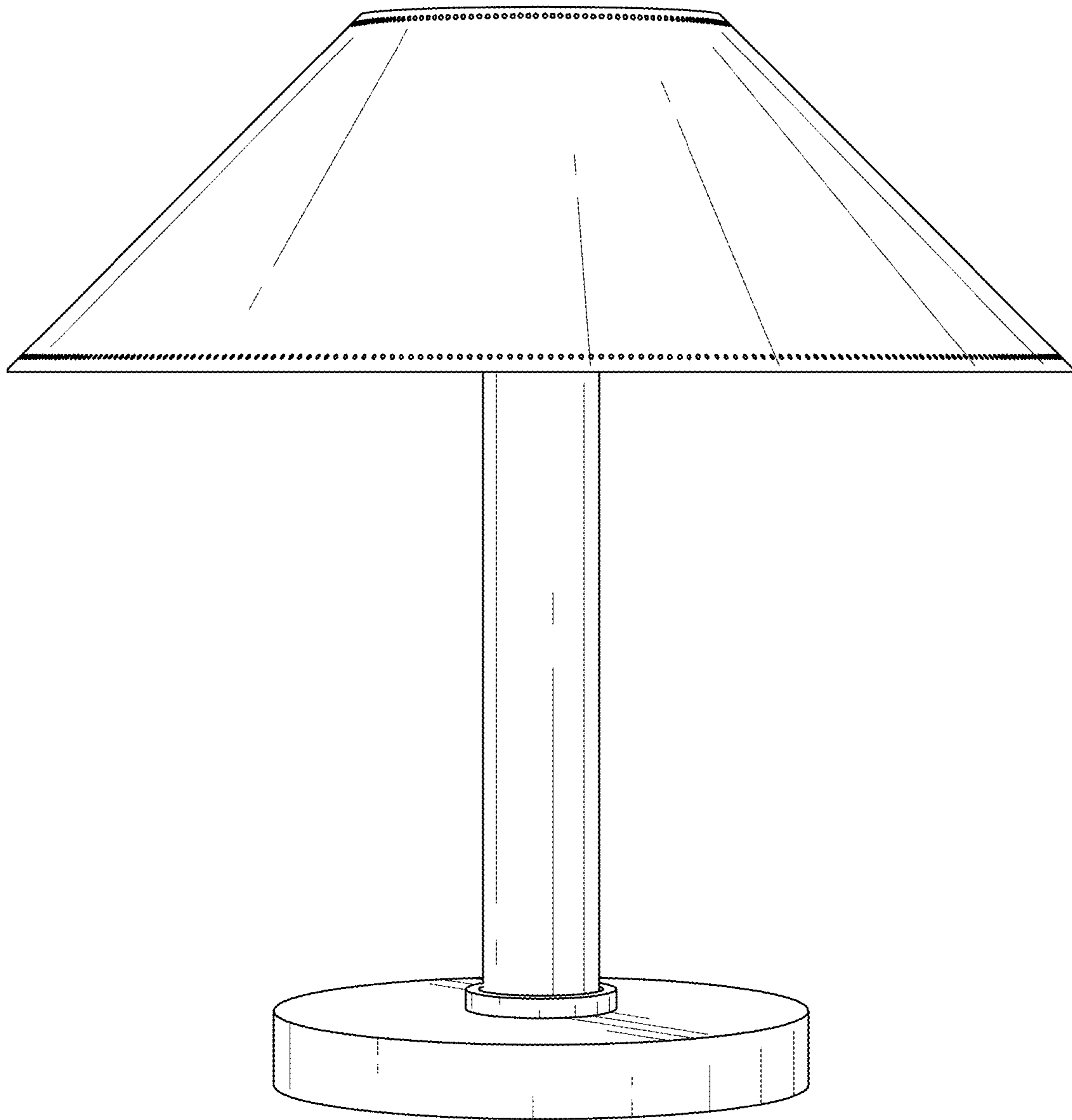


FIG. 2

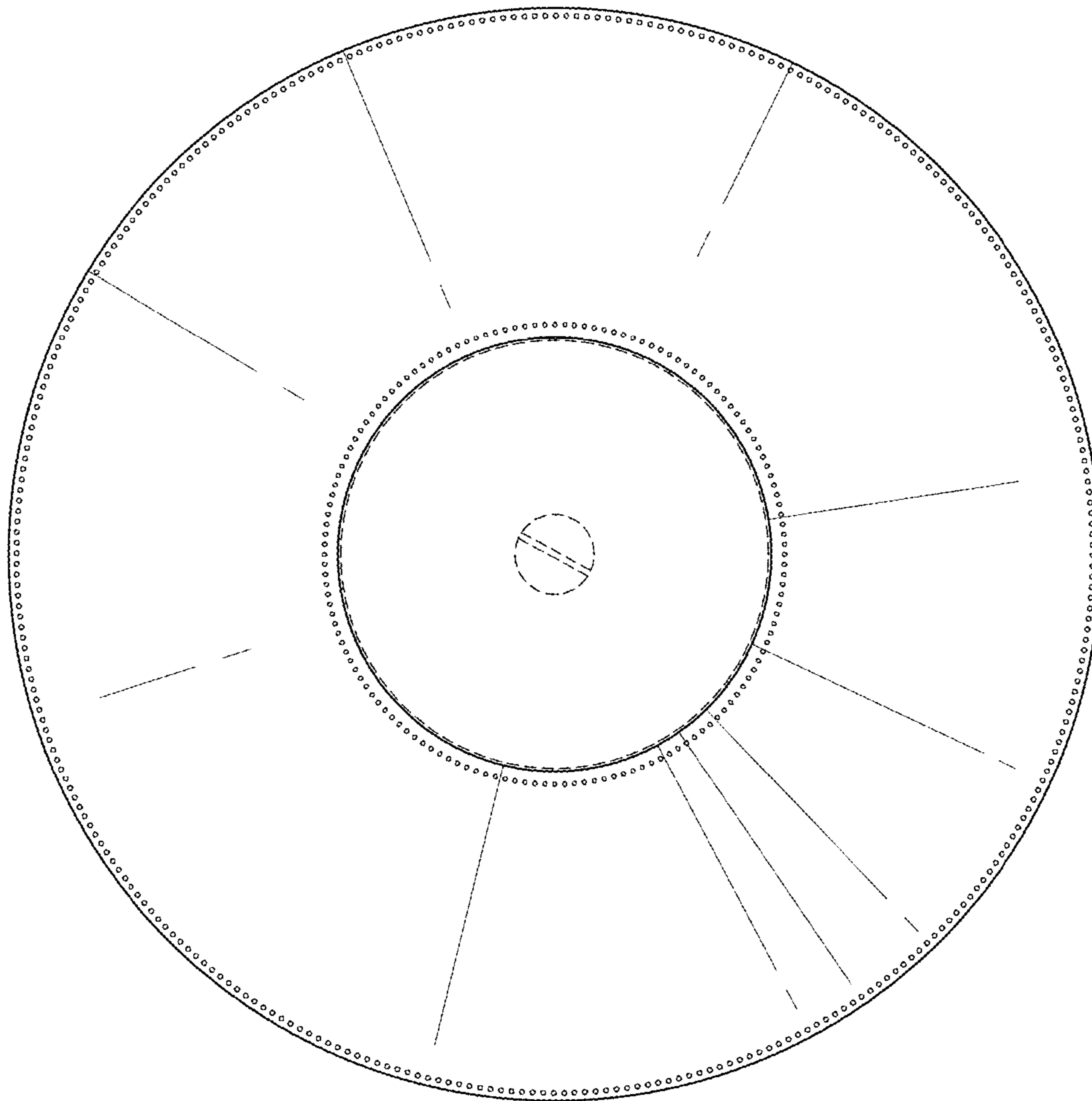


FIG. 3

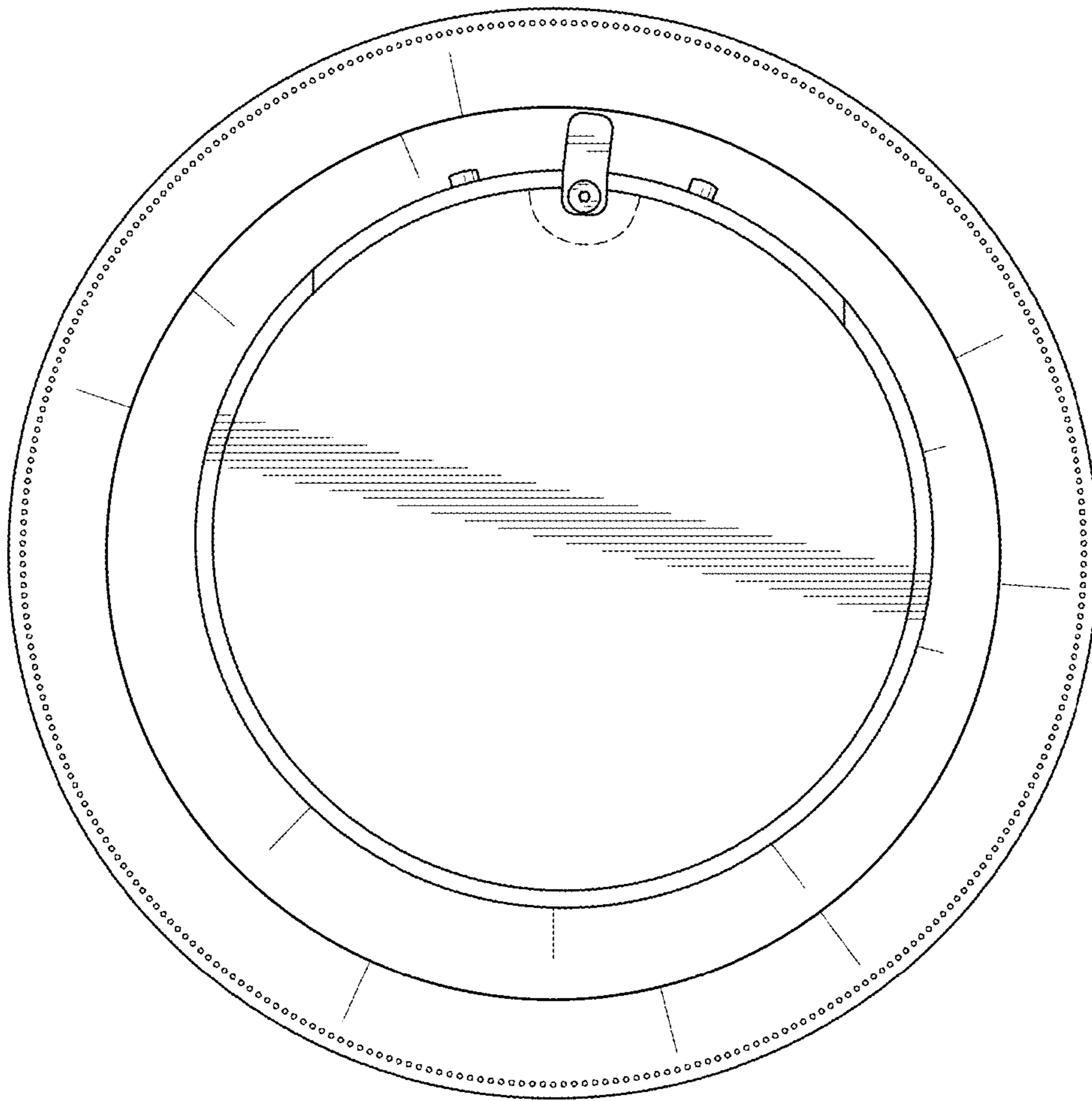


FIG. 4

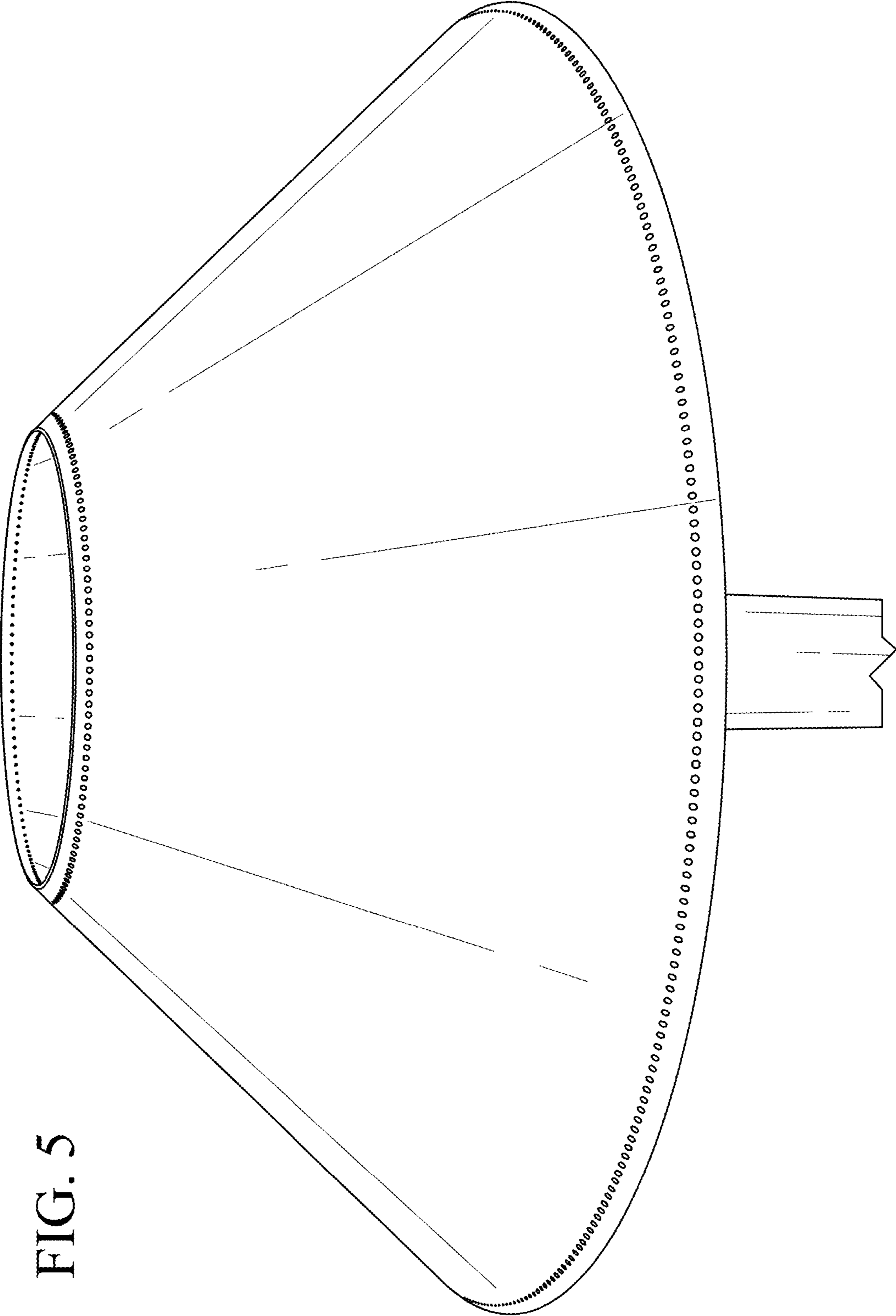


FIG. 5

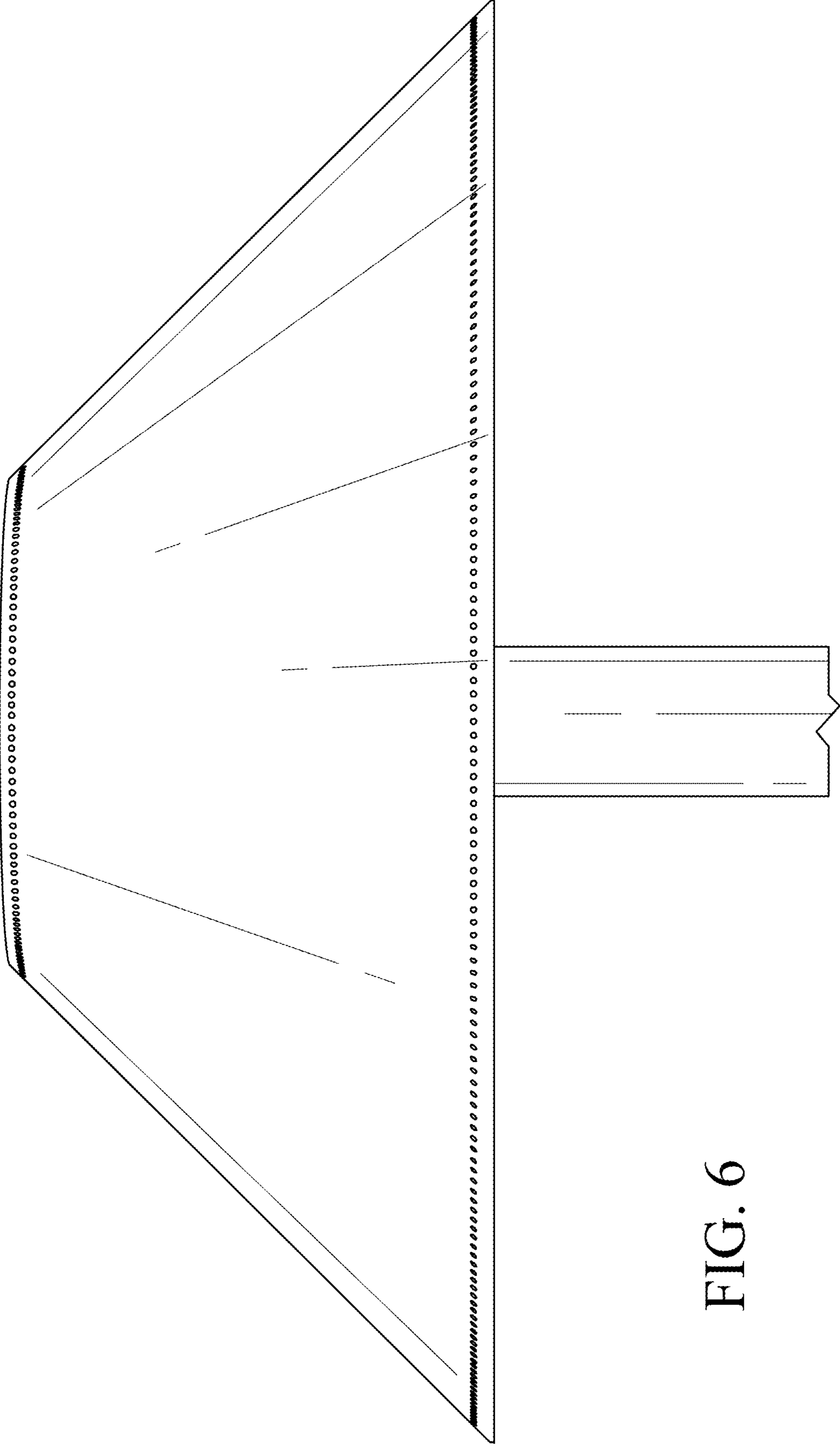


FIG. 6