

US00D768907S

(12) **United States Design Patent**
Stolte et al.

(10) **Patent No.:** **US D768,907 S**
(45) **Date of Patent:** **** Oct. 11, 2016**

(54) **LIGHTING FIXTURE**
(71) Applicant: **KENALL MANUFACTURING COMPANY**, Kenosha, WI (US)
(72) Inventors: **Brandon Stolte**, Lindenhurst, IL (US);
Kevin Dahlen, Lindenhurst, IL (US);
James Hawkins, Lake Bluff, IL (US)
(73) Assignee: **KENALL MANUFACTURING COMPANY**, Kenosha, WI (US)

3,836,766 A * 9/1974 Auerbach F21S 8/033
362/311.14
4,729,076 A 3/1988 Masami et al.
4,782,435 A 11/1988 Manzoni
D393,093 S 3/1998 Fiorato
D443,713 S 6/2001 Benensohn
D464,164 S 10/2002 Thompson
D465,599 S 11/2002 Thompson
D469,916 S * 2/2003 Caferro D26/123

(Continued)

(**) Term: **15 Years**
(21) Appl. No.: **29/550,406**
(22) Filed: **Jan. 4, 2016**

Related U.S. Application Data

(60) Division of application No. 29/487,609, filed on Apr. 10, 2014, now Pat. No. Des. 747,824, which is a division of application No. 29/464,699, filed on Aug. 20, 2013, now Pat. No. Des. 707,387, which is a continuation of application No. 13/005,288, filed on Jan. 12, 2011, now Pat. No. 8,905,589.

(51) **LOC (10) Cl.** **26-03**
(52) **U.S. Cl.**
USPC **D26/89**; D26/152

(58) **Field of Classification Search**
USPC D26/72, 89, 92, 118, 128-137, 152
CPC F21S 8/04; F21S 8/043; F21S 8/022;
F21S 8/03; F21S 8/033; F21S 8/036; F21S
8/08; F21S 8/085; F21S 8/086; F21S 8/088;
F21S 13/02; F21V 21/13; F21V 21/14;
F21V 29/506; F21V 3/04; F21V 3/0418;
F21V 3/0427; F21V 3/0436; F21V 3/0445
See application file for complete search history.

(56) **References Cited**

U.S. PATENT DOCUMENTS

D95,202 S * 4/1935 Glatthar et al. D26/88
D170,084 S * 7/1953 Glatthar et al. D26/89

OTHER PUBLICATIONS

American Electric Lighting, LEDR LED Roadway, Advertising Brochure, before Dec. 20, 2010, 12 pages.

(Continued)

Primary Examiner — Clare E Heflin

(74) *Attorney, Agent, or Firm* — Marshall, Gerstein & Borun LLP

(57) **CLAIM**

The ornamental design for a lighting fixture, as shown and described.

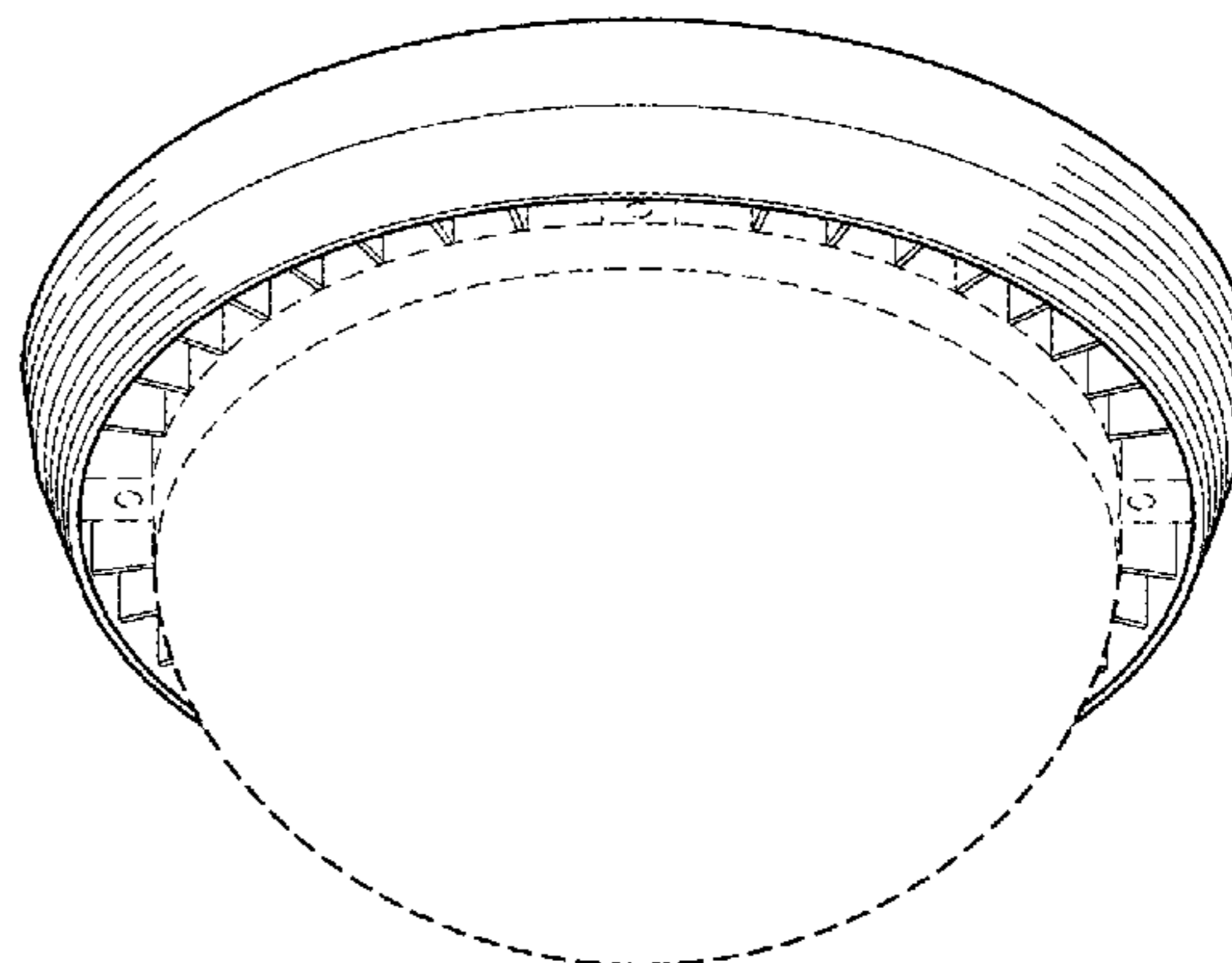
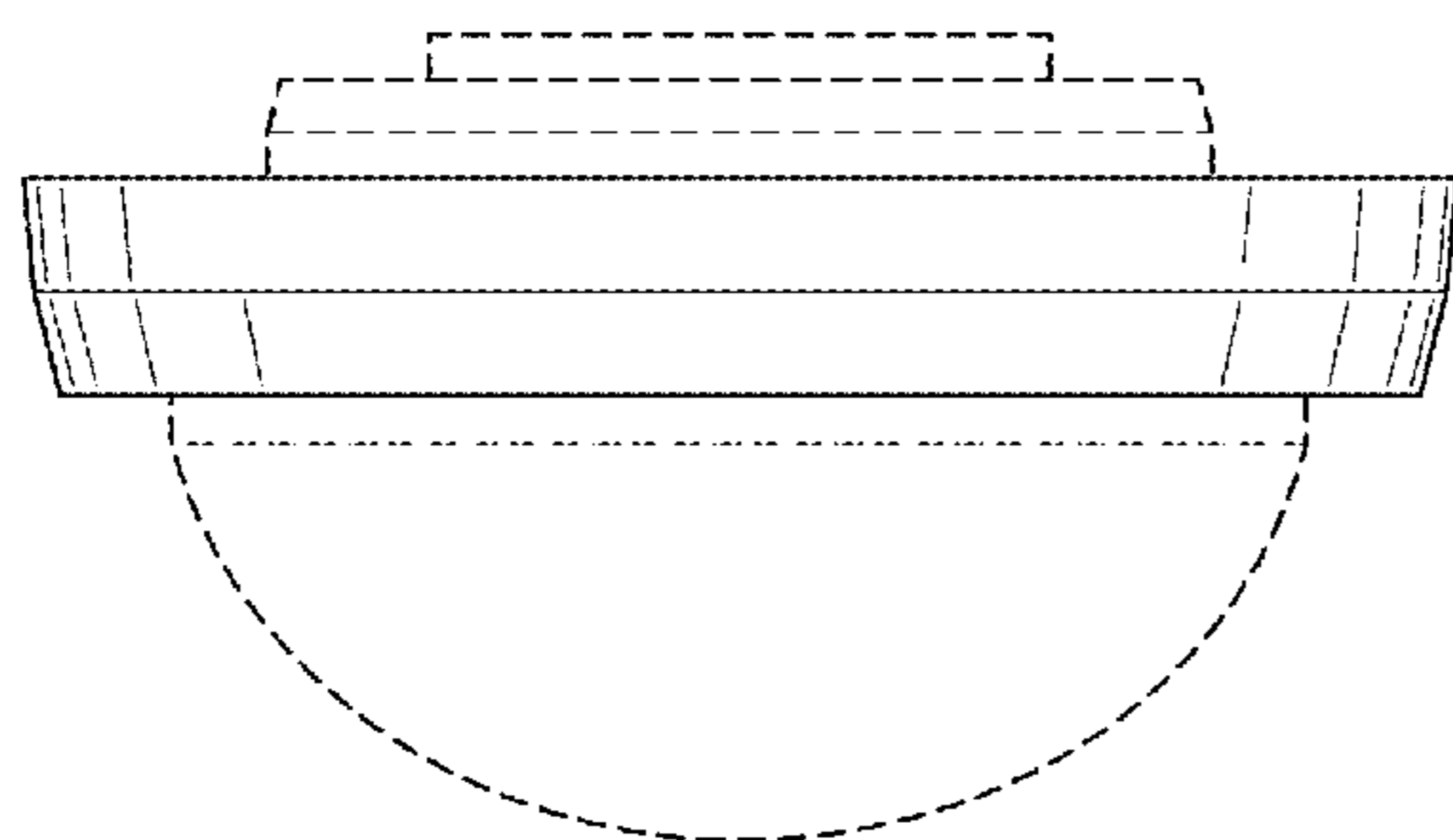
DESCRIPTION

FIG. 1 is a perspective view showing a new design for a lighting fixture angled rearward approximately 15 degrees from vertical;

FIG. 2 is a front view of the lighting fixture of FIG. 1; FIG. 3 is a bottom view of the lighting fixture of FIG. 1; FIG. 4 is a perspective view of the lighting fixture of FIG. 1 angled rearward approximately 30 degrees from vertical; and,

FIG. 5 is a perspective view of the lighting fixture of FIG. 1 angled rearward approximately 45 degrees from vertical. The broken lines shown on the drawings depict portions of the light fixture that form no part of the claimed design.

1 Claim, 3 Drawing Sheets



(56)

References Cited

U.S. PATENT DOCUMENTS

6,705,747 B2 * 3/2004 Caferro F21V 7/0025
362/147

D535,051 S 1/2007 Stauffer

D544,629 S * 6/2007 Benensohn D26/79

D567,434 S * 4/2008 Itiravivong D26/142

D571,034 S 6/2008 Goetz-Schaefer

D583,091 S 12/2008 Benensohn

7,593,229 B2 9/2009 Shuy

7,604,380 B2 10/2009 Burton et al.

7,611,264 B1 11/2009 Chang et al.

D607,600 S 1/2010 Keith

7,682,055 B2 3/2010 Shuai et al.

7,712,925 B2 5/2010 Russell

7,775,692 B2 8/2010 Li

7,810,965 B2 10/2010 Weaver

7,828,465 B2 11/2010 Roberge et al.

7,832,898 B2 11/2010 Li

D628,738 S 12/2010 Chen

7,857,497 B2 12/2010 Koike et al.

7,862,210 B2 1/2011 Zhang et al.

7,866,847 B2 1/2011 Zheng

7,874,700 B2 1/2011 Patrick

D634,053 S 3/2011 Guercio

D639,996 S 6/2011 Stolte et al.

7,959,329 B2 6/2011 Van De Ven

7,972,036 B1 7/2011 Schach et al.

7,979,197 B2 7/2011 Finn et al.

8,157,422 B2 4/2012 Paik et al.

8,164,237 B2 4/2012 Wen

8,201,968 B2 6/2012 Maxik et al.

8,226,273 B2 7/2012 Lai

8,235,097 B2 8/2012 Scordino et al.

8,272,765 B2 9/2012 Ter-Hovhannisyan

8,672,518 B2 3/2014 Boomgaarden et al.

8,905,589 B2 12/2014 Stolte et al.

D727,552 S * 4/2015 Stolte D26/89

D729,970 S * 5/2015 Jepson D26/89

D759,877 S * 6/2016 Hewitt D26/89

2007/0253192 A1* 11/2007 Monteiro F21V 15/00
362/147

2009/0046473 A1 2/2009 Tsai et al.

2009/0296387 A1 12/2009 Reisenauer et al.

2010/0091487 A1 4/2010 Shin

2010/0124058 A1 5/2010 Miller

2010/0172143 A1 7/2010 Cunius

2011/0110095 A1 5/2011 Li et al.

2012/0176792 A1* 7/2012 Stolte F21V 29/004
362/243

2012/0176797 A1* 7/2012 Stolte F21V 29/004
362/294

OTHER PUBLICATIONS

Dialight Corporation, DuroSite, LED Low Bay Fixture, unknown publication date, 2 pages, Dialight Website.

Dialight Corporation, DuroSite_highbay_dlc, Press Release, Aug. 25, 2010, 1 page, Dialight Website.

Dialight Corporation, DuroSite_LED_Lowboy, Press Release, Apr. 5, 2011, 1 page, Dialight Website.

Dialight, DuroSite LED High Bay, Advertising Brochure, before Dec. 20, 2010, 8 pages.

Electromatic Products, High Light Low Energy LED Lighting, Advertising Brochure, before Dec. 20, 2010, 2 pages.

Philips Corporation, Canlyte product brochure, unknown date, 16 pages—reference p. 7, Canlyte a Philips Group Brand, Printed in Canada.

From eurostylelighting.com, visited on Aug. 5, 2010—Murray Feiss Essentail Ceiling light; 2.) Sonneman Vienna Ceiling light; 3.) Forecast satin nickel ceiling light.

From eurostylelighting.com, visited on Aug. 5, 2010—Sonneman Vienna polished nickel 17" ceiling light.

From eurostylelighting.com, visited on Aug. 5, 2010—Forecast Presto Collection 10" wide ceiling light.

From eurostylelighting.com, visited on Aug. 5, 2010—Sonneman Trumpet 21" surface ceiling light and Sonneman Rialto 17" ceiling light.

* cited by examiner

FIG. 1

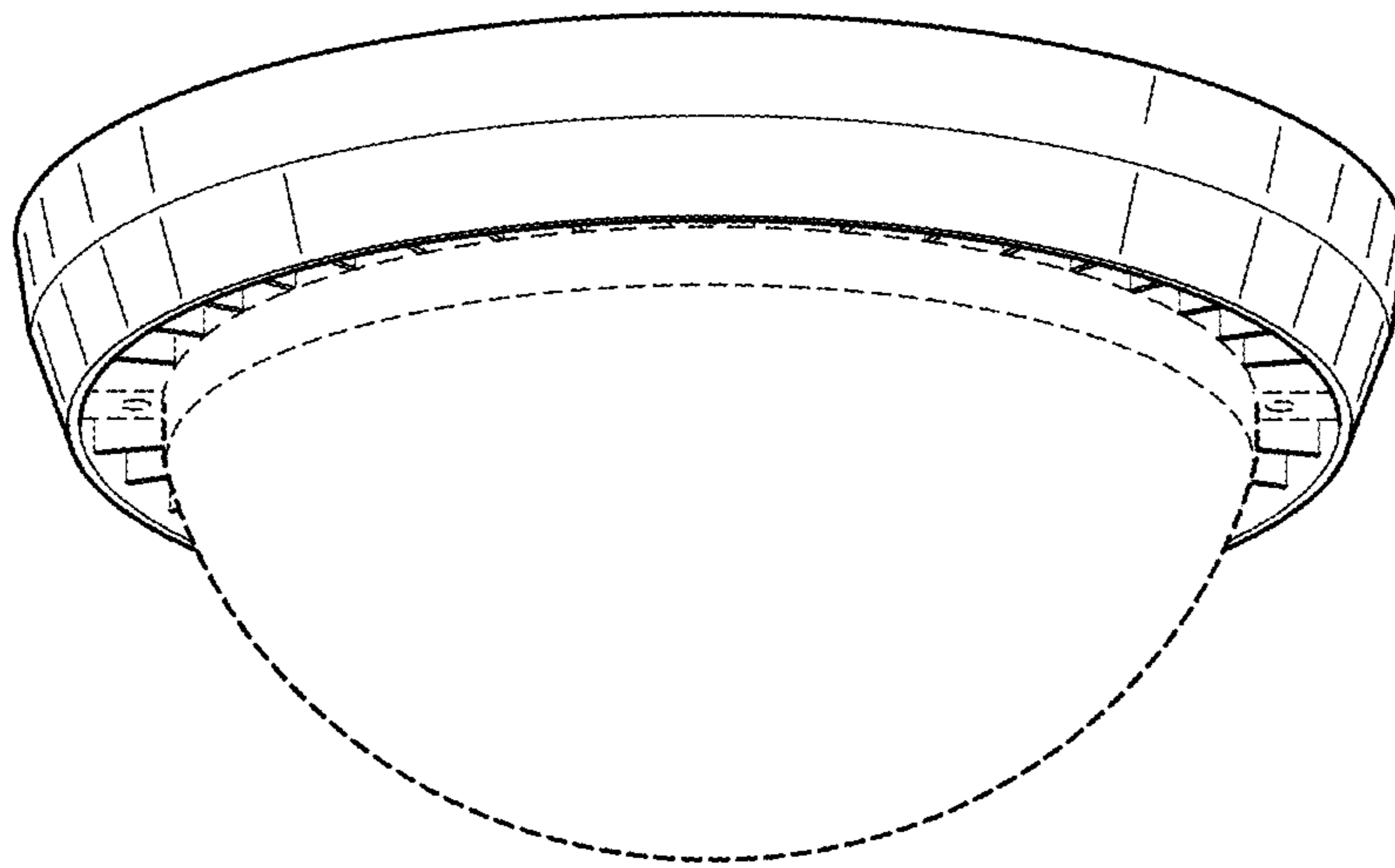


FIG. 2

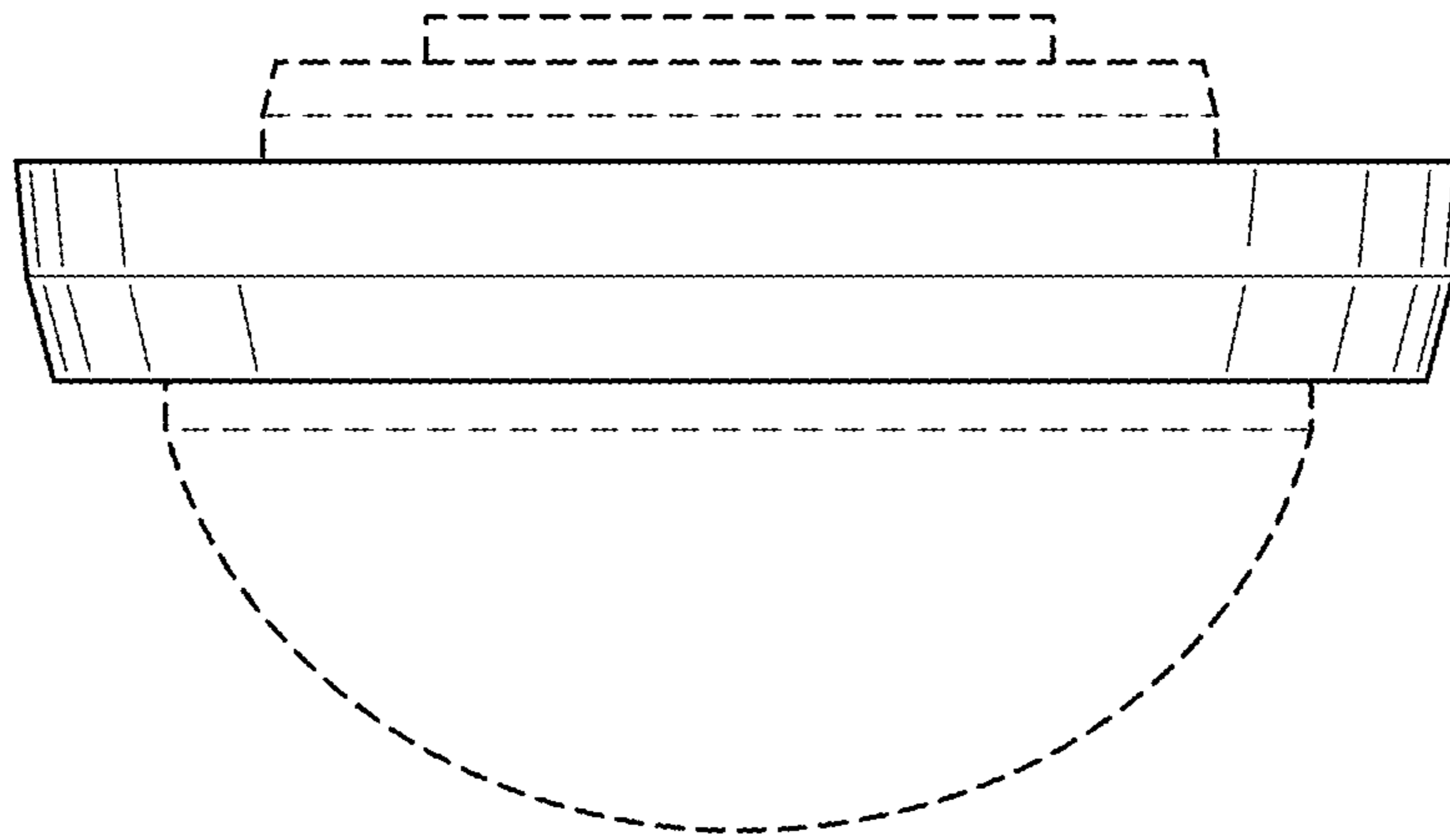
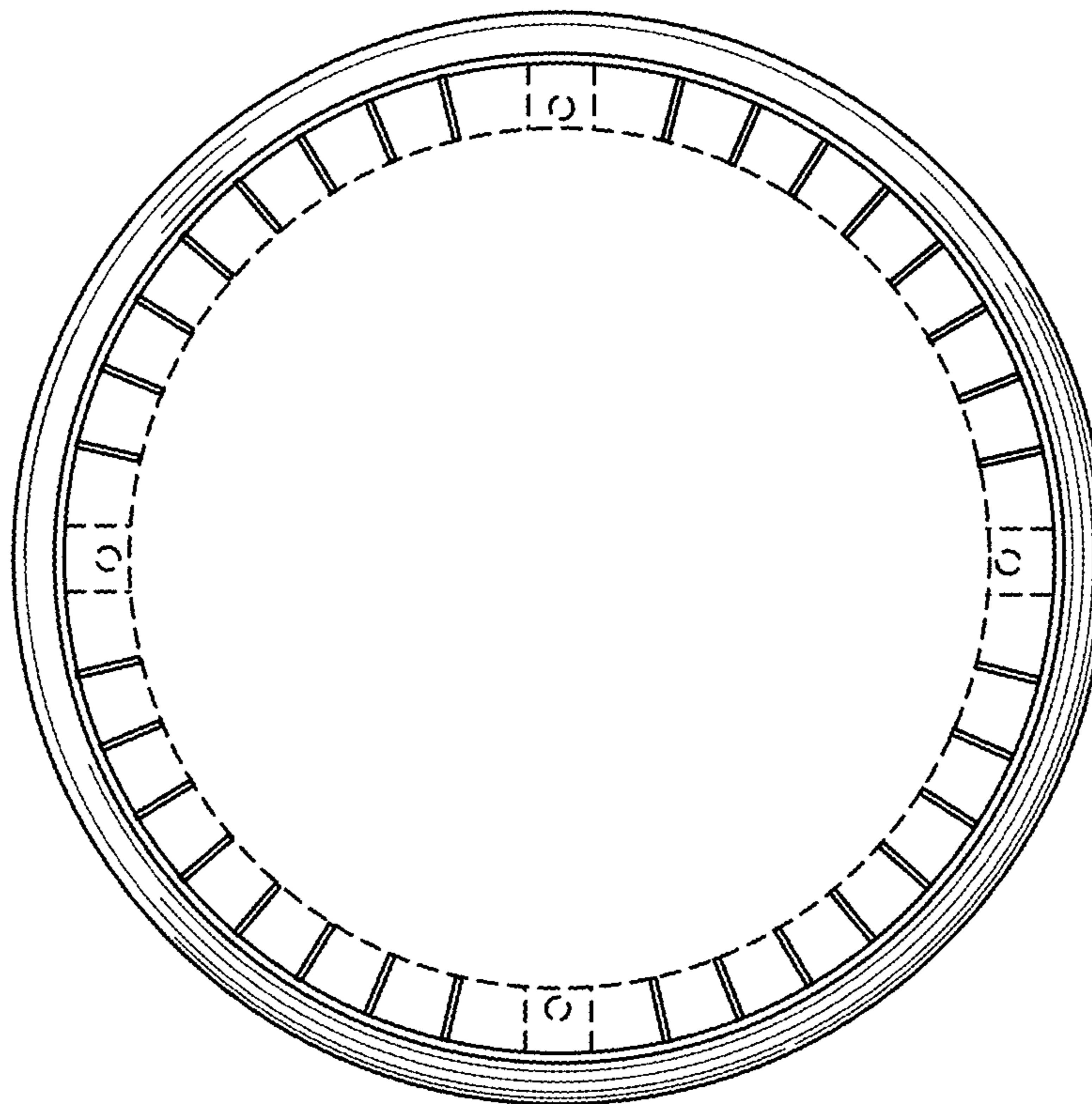


FIG. 3



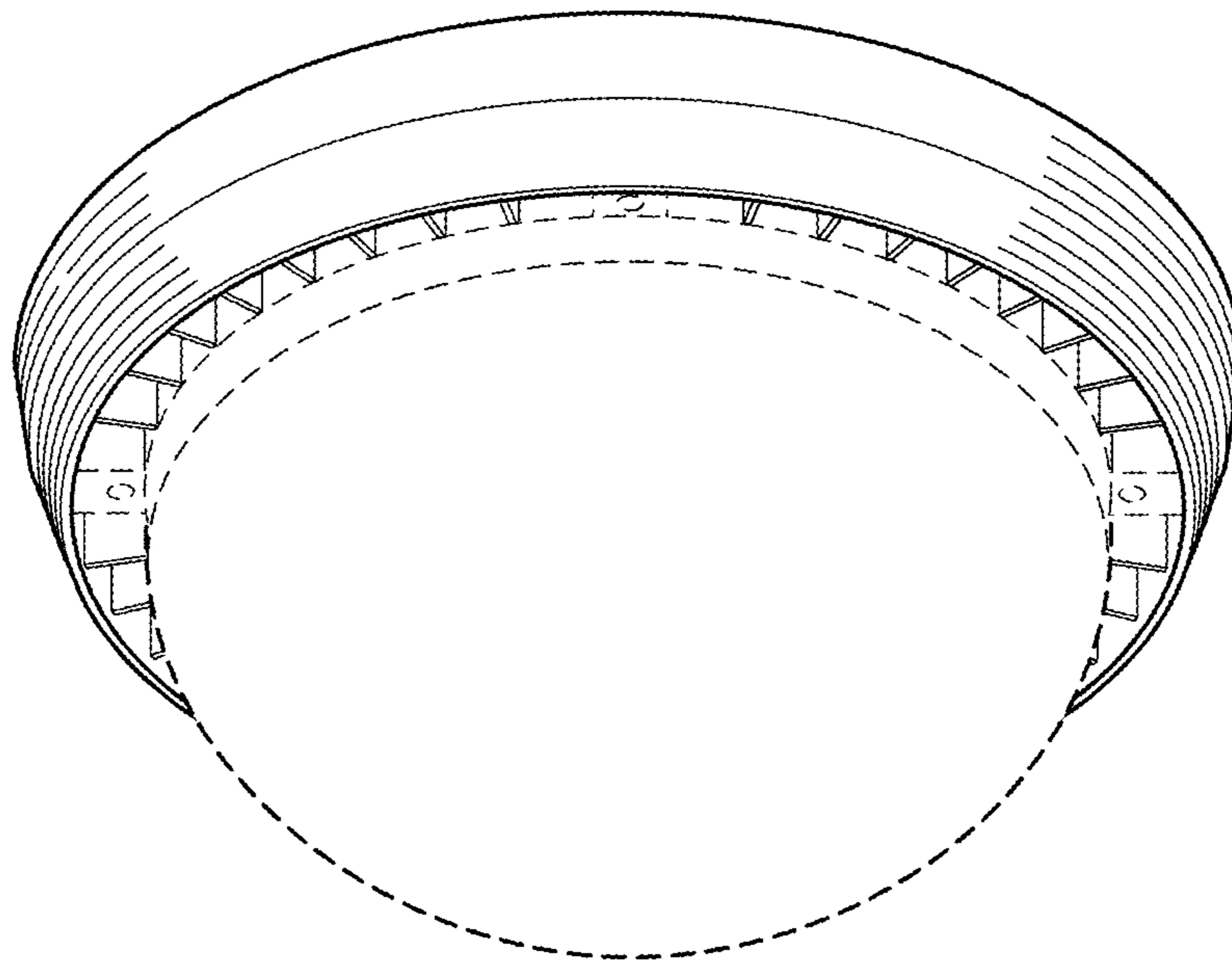


FIG. 4

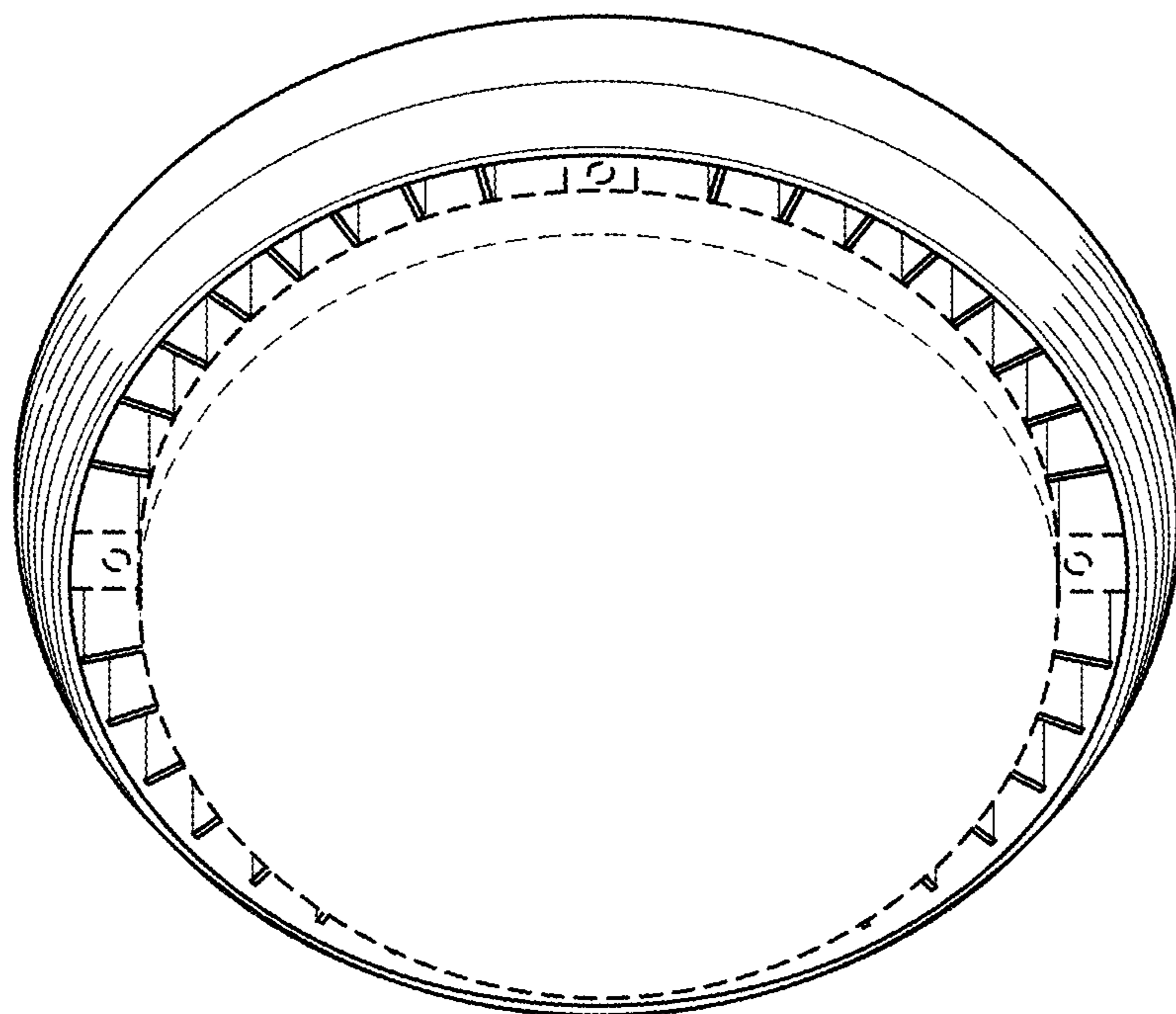


FIG. 5