

US00D768905S

(12) **United States Design Patent** (10) **Patent No.:** **US D768,905 S**
Sonneman (45) **Date of Patent:** **** *Oct. 11, 2016**

(54) **LIGHT FIXTURE**
(71) Applicant: **Contemporary Visions, L.L.C.**,
Larchmont, NY (US)
(72) Inventor: **Robert A. Sonneman**, Mamaroneck,
NY (US)
(73) Assignee: **CONTEMPORARY VISIONS,**
L.L.C., Larchmont, NY (US)
(*) Notice: This patent is subject to a terminal dis-
claimer.
(**) Term: **14 Years**
(21) Appl. No.: **29/471,907**
(22) Filed: **Nov. 6, 2013**
(51) **LOC (10) Cl.** **26-03**
(52) **U.S. Cl.**
USPC **D26/88; D26/90**
(58) **Field of Classification Search**
USPC D26/72, 84, 85, 88, 90, 91, 118, 120,
D26/122, 123, 124; 362/147, 404-408, 431
CPC F21S 8/06; F21V 27/00; F21V 21/18
See application file for complete search history.

D655,856 S * 3/2012 Burks D26/90
D659,886 S * 5/2012 Wauters D26/90
D662,645 S * 6/2012 Morgan D26/84
D671,676 S * 11/2012 Komarov et al. D26/124
D687,589 S * 8/2013 Wick D26/90
D698,983 S * 2/2014 Rampolla et al. D26/90
8,714,775 B2 * 5/2014 Bracher et al. 362/249.01
2004/0027830 A1 * 2/2004 Chen 362/352

OTHER PUBLICATIONS

Sonneman Corona 32-inch LED Pendant Light. Found online at
YLighting.com, visited Jun. 1, 2014.*
Sonneman Corona 6-inch LED Pendant Light. Found online at
YLighting.com, visited Jun. 1, 2014.*
Nimba LED Suspension Light. Found online at YLighting.com,
visited Jun. 1, 2014.*

* cited by examiner

Primary Examiner — Clare E Heflin

(74) *Attorney, Agent, or Firm* — Gottlieb, Rackman &
Reisman, PC

CLAIM

(57) The ornamental design for a light fixture, as shown and
described.

DESCRIPTION

FIG. 1 is a perspective view of the light fixture showing my
new design;
FIG. 2 is a top plan view thereof;
FIG. 3 is a front elevational view thereof; the rear eleva-
tional view being a mirror image;
FIG. 4 is a bottom plan view thereof; and,
FIG. 5 is an enlarged sectional view of FIG. 2.
The broken lines in FIGS. 1-5 are for the purpose of
illustrating environment only and form no part of the
claimed design.

1 Claim, 4 Drawing Sheets

(56) **References Cited**
U.S. PATENT DOCUMENTS
D41,093 S * 1/1911 Macbeth D26/123
D45,539 S * 3/1914 Meyers D26/90
D129,362 S * 9/1941 Pieper D26/88
D264,136 S * 4/1982 Castiglioni D26/85
D465,872 S * 11/2002 Cacaci D26/90
D472,008 S * 3/2003 Gulassa et al. D26/90
D556,364 S * 11/2007 McDowell D26/118
D566,320 S * 4/2008 Kim D26/88
D605,336 S * 12/2009 Miranda D26/90
D621,087 S * 8/2010 Nagane et al. D26/88

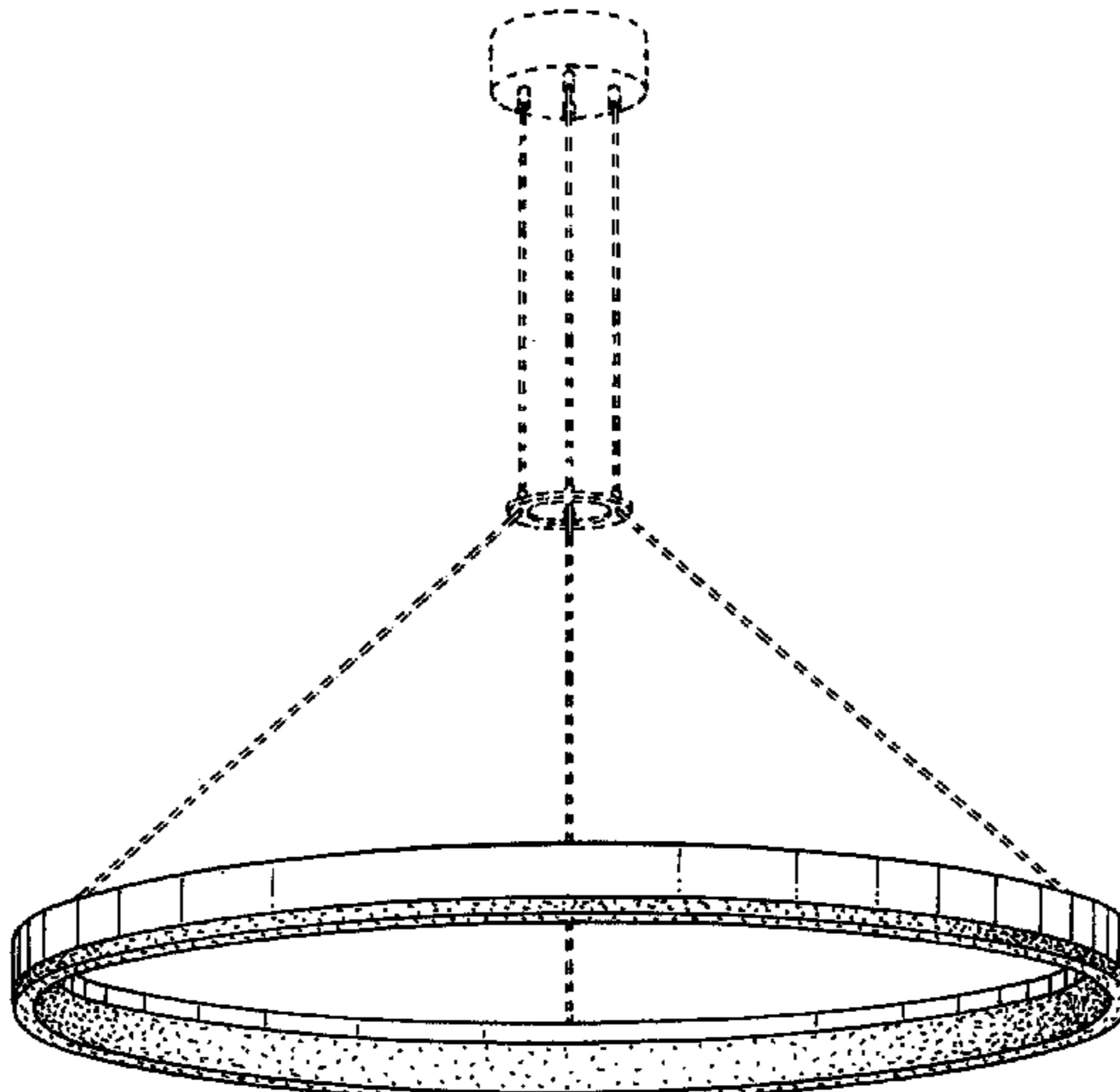
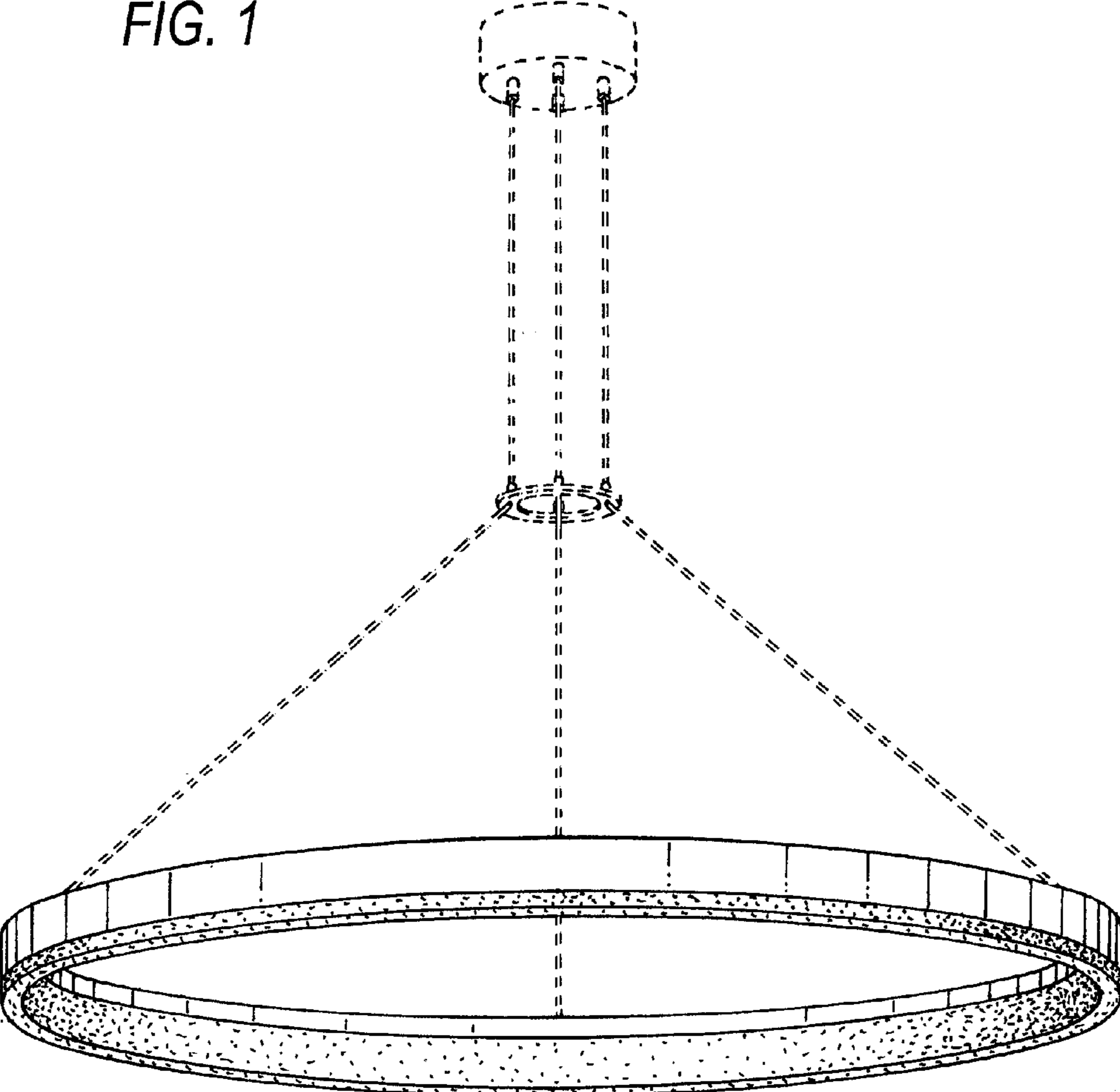


FIG. 1



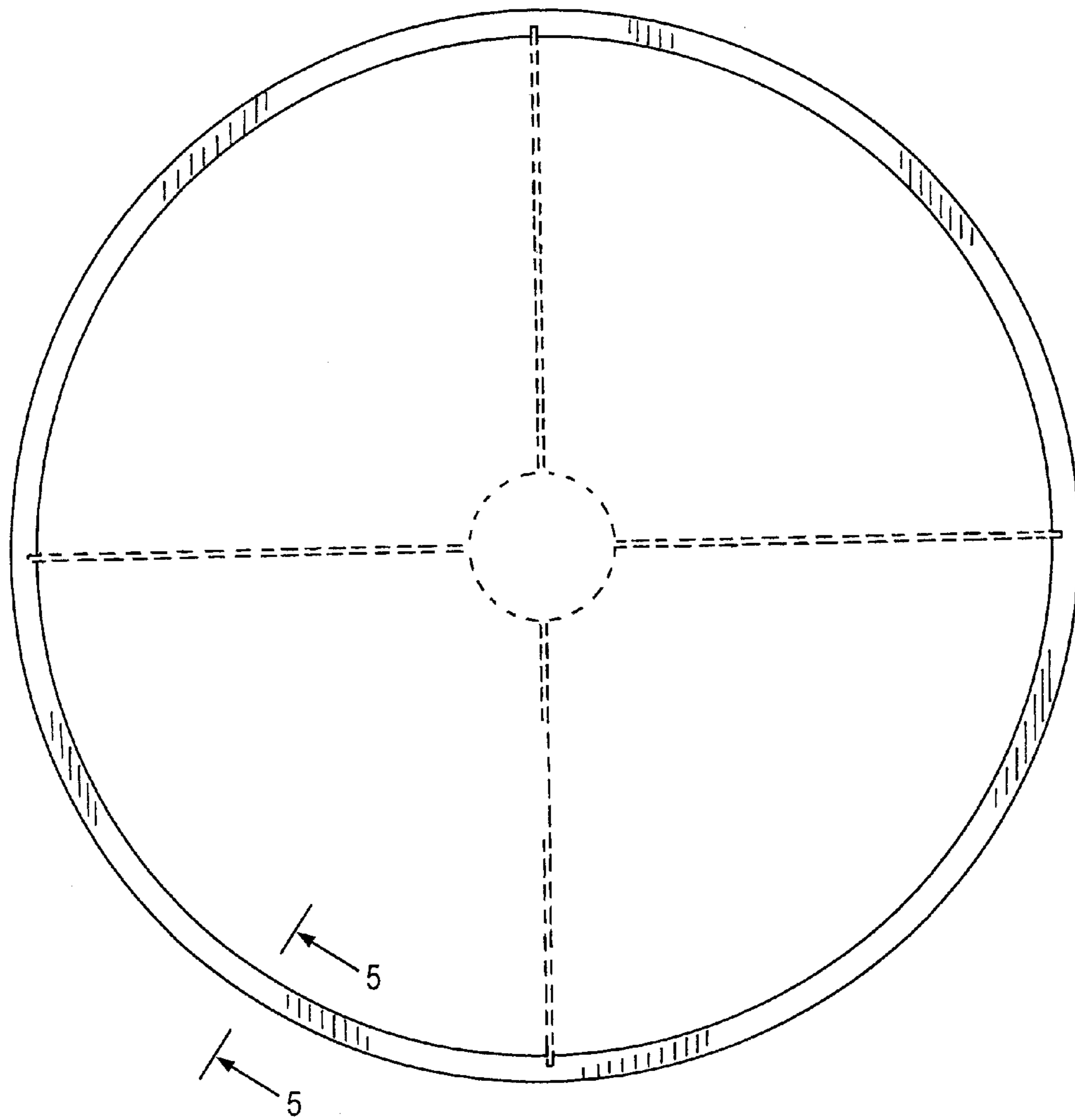
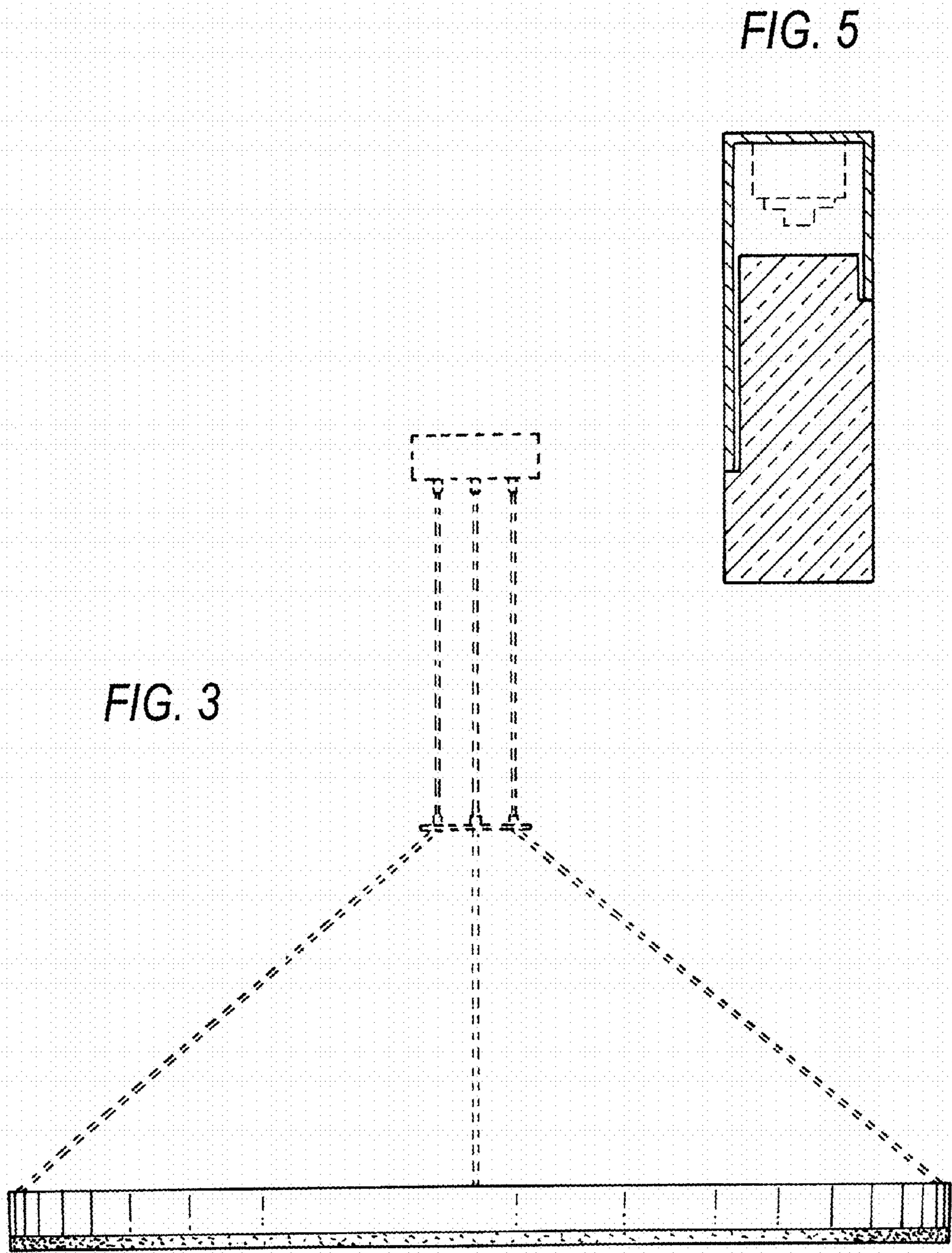


FIG. 2



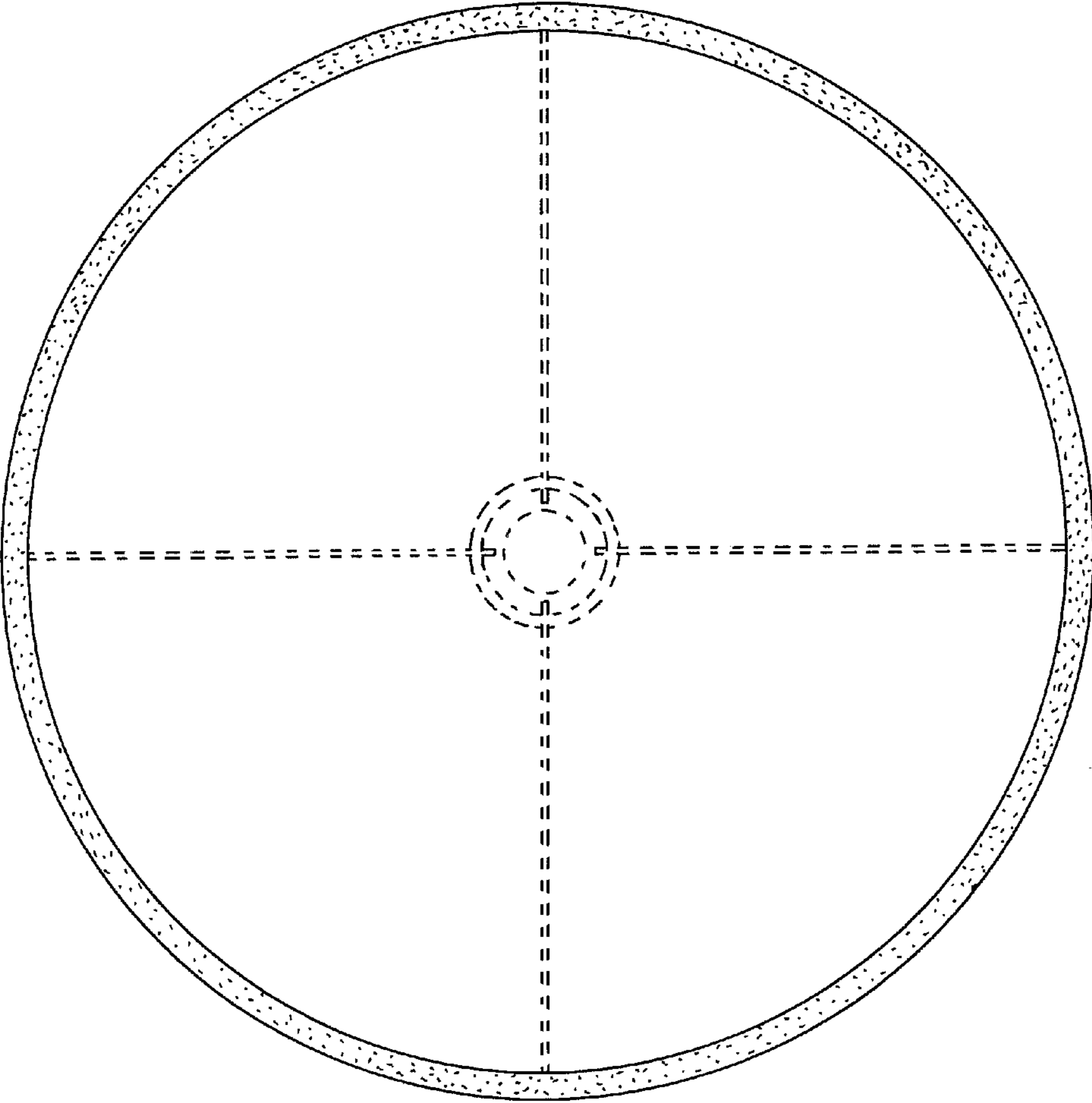


FIG. 4