

US00D768904S

(12) **United States Design Patent**
Ahrari

(10) **Patent No.:** **US D768,904 S**

(45) **Date of Patent:** **** Oct. 11, 2016**

(54) **LIGHTING FIXTURE**

(71) Applicant: **Hubbell Incorporated**, Shelton, CT
(US)

(72) Inventor: **Armin Ahrari**, Chino, CA (US)

(73) Assignee: **Hubbell Incorporated**, Shelton, CT
(US)

(**) Term: **14 Years**

(21) Appl. No.: **29/523,589**

(22) Filed: **Apr. 10, 2015**

(51) **LOC (10) Cl.** **26-03**

(52) **U.S. Cl.**
USPC **D26/85**; D26/71

(58) **Field of Classification Search**
USPC D26/63, 72, 85, 92, 118; D27/71
CPC F21S 8/03; F21S 8/033; F21S 8/036;
F21V 21/06; F21V 21/14; F21V 21/26;
F21V 21/30

See application file for complete search history.

(56) **References Cited**

U.S. PATENT DOCUMENTS

| | | | | | |
|-----------|-----|---------|--------------|-------|-----------------------|
| 2,732,484 | A * | 1/1956 | Lipscomb | | F21S 8/033 362/218 |
| D224,753 | S * | 9/1972 | Breed et al. | | D26/71 |
| D226,326 | S * | 2/1973 | Anderson | | D26/71 |
| D228,667 | S * | 10/1973 | Anderson | | D26/71 |
| D265,765 | S * | 8/1982 | Hawkins | | D20/42 |
| D308,261 | S * | 5/1990 | Shemitz | | D26/87 |
| D380,853 | S * | 7/1997 | Johnson | | D26/128 |
| D465,593 | S * | 11/2002 | Chang | | D26/72 |
| D493,009 | S * | 7/2004 | Ken | | D26/51 |
| D553,783 | S * | 10/2007 | Loftus | | D26/67 |
| D566,876 | S * | 4/2008 | Allen | | D26/85 |
| D608,040 | S * | 1/2010 | Guercio | | D26/71 |
| D656,652 | S * | 3/2012 | Rosenlof | | D26/71 |
| D672,078 | S * | 12/2012 | Lui | | D26/71 |
| D672,901 | S * | 12/2012 | Chiesurin | | D26/80 |
| D677,419 | S * | 3/2013 | Sauvage | | D26/85 |

| | | | | | |
|--------------|------|--------|---------|-------|------------------------|
| D713,987 | S * | 9/2014 | Toms | | D26/92 |
| D732,223 | S * | 6/2015 | Ahrari | | D26/71 |
| 2008/0137327 | A1 * | 6/2008 | Hodulik | | F21S 8/086 362/183 |
| 2009/0103288 | A1 * | 4/2009 | Boyer | | F21V 7/04 362/153.1 |
| 2012/0217897 | A1 * | 8/2012 | Gordin | | F21S 8/086 315/294 |

OTHER PUBLICATIONS

“Hess Novara 260 VRB Illuminating Bollard”, www.hessamerica.com/3710, available on Apr. 9, 2015, pp. 445-446, Gaffney, South Carolina.

(Continued)

Primary Examiner — Clare E Hefflin

(74) *Attorney, Agent, or Firm* — Michael Best & Friedrich, LLP

(57) **CLAIM**

I claim the ornamental design for a lighting fixture, as shown and described.

DESCRIPTION

FIG. 1 is a perspective view of a lighting fixture showing our new design.

FIG. 2 is a front view of the lighting fixture shown in FIG. 1.

FIG. 3 is a right side view of the lighting fixture shown in FIG. 1.

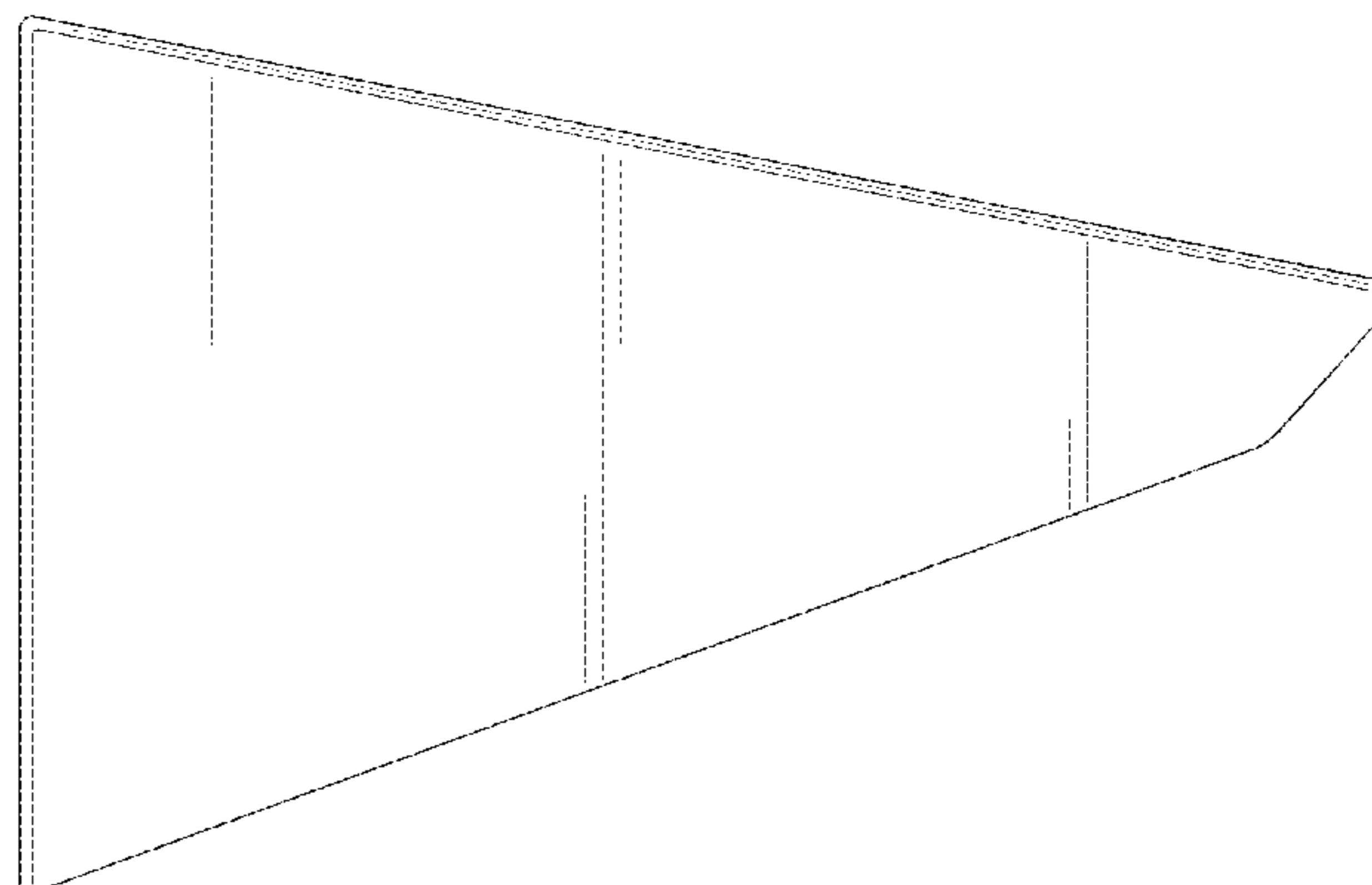
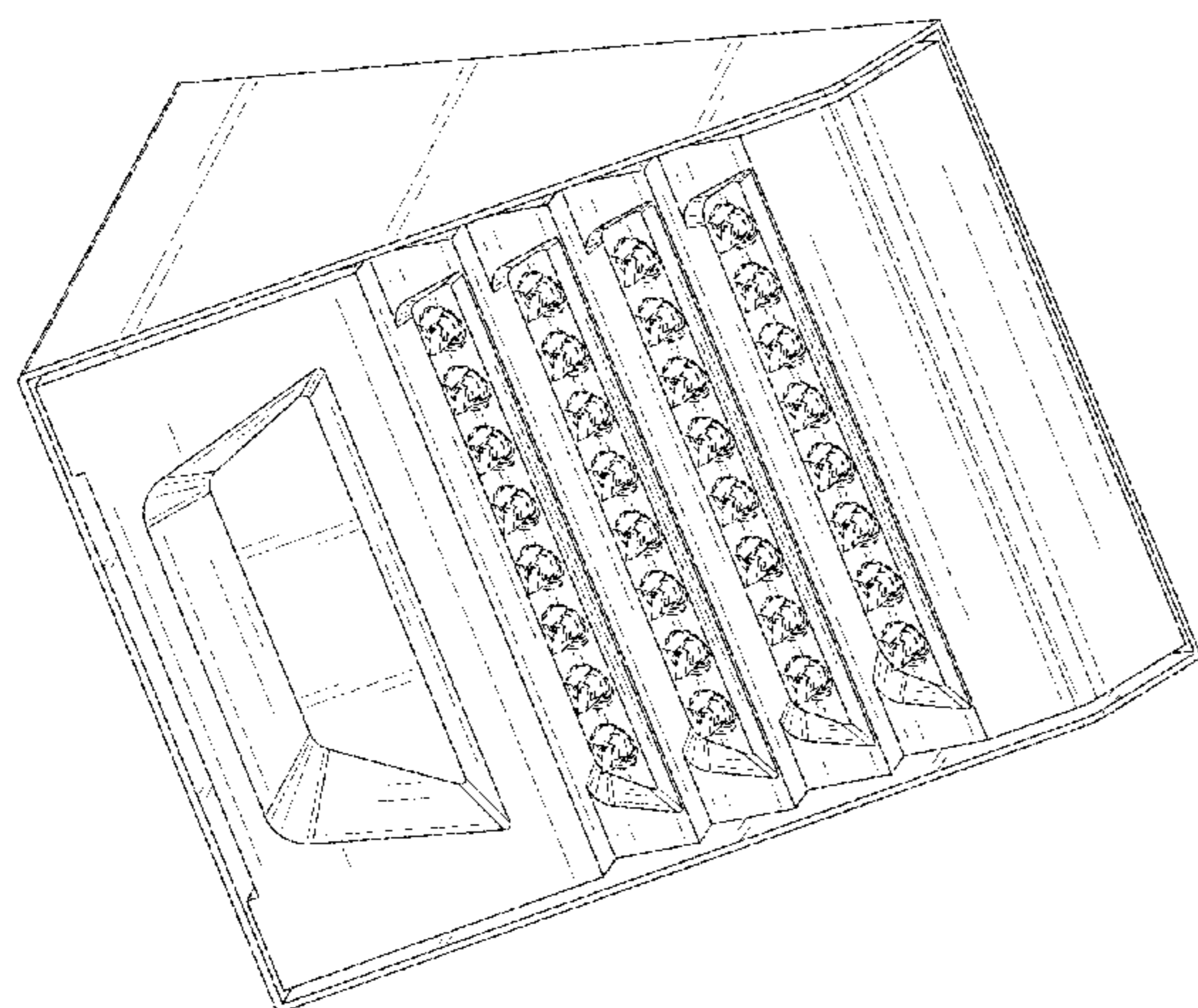
FIG. 4 is a left side view of the lighting fixture shown in FIG. 1.

FIG. 5 is a top view of the lighting fixture shown in FIG. 1; and,

FIG. 6 is a bottom view of the lighting fixture shown in FIG. 1.

The back view is not part of the claimed design. The elements shown in broken lines depict portions of the lighting fixture that form no part of the claimed design.

1 Claim, 6 Drawing Sheets



(56)

References Cited

OTHER PUBLICATIONS

Bega, "Wall luminaries with asymmetrical light distribution", www.bega-us.com, available at least as early as May 2014, 2 pages, Carpinteria, California.

"Hess Pasadena Wall Mounted Luminaire", www.hessamerica.com/2204, available on Apr. 9, 2015, pp. 147-151, Gaffney, South Carolina.

"Hess Trapez Pole Mounted Luminaire", www.hessamerica.com/1510, available on Apr. 9, 2015, pp. 143-144, Gaffney, South Carolina.

* cited by examiner

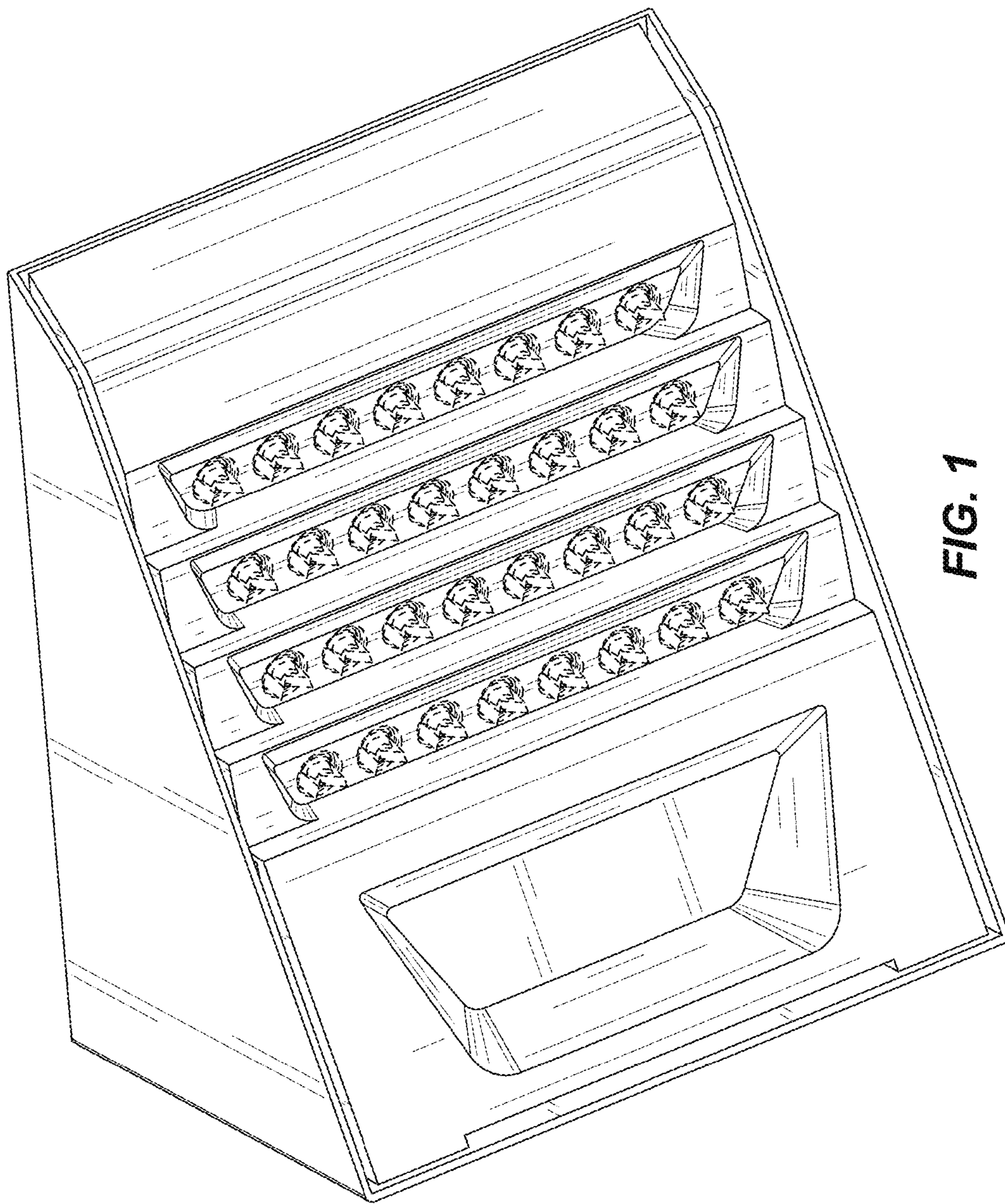


FIG. 1

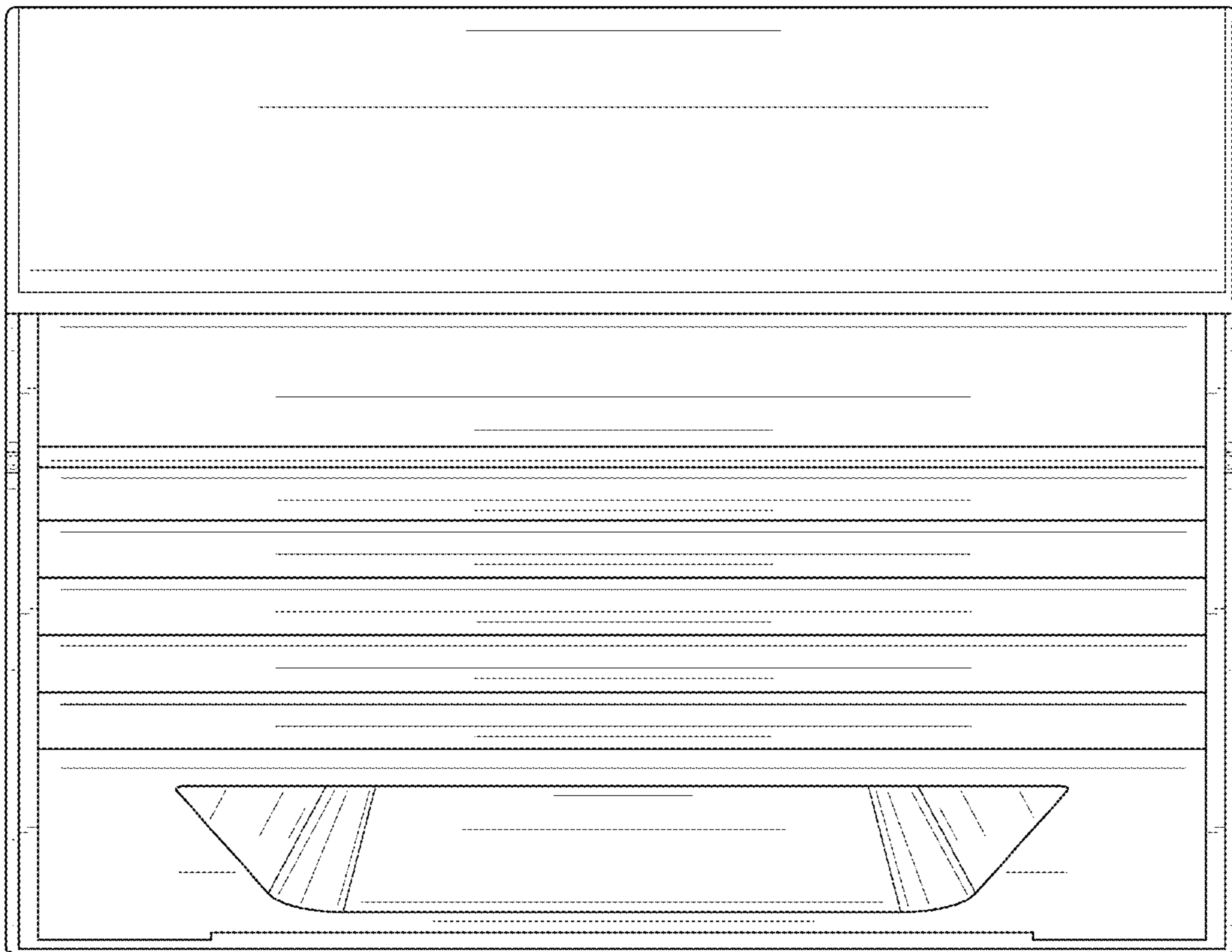


FIG. 2

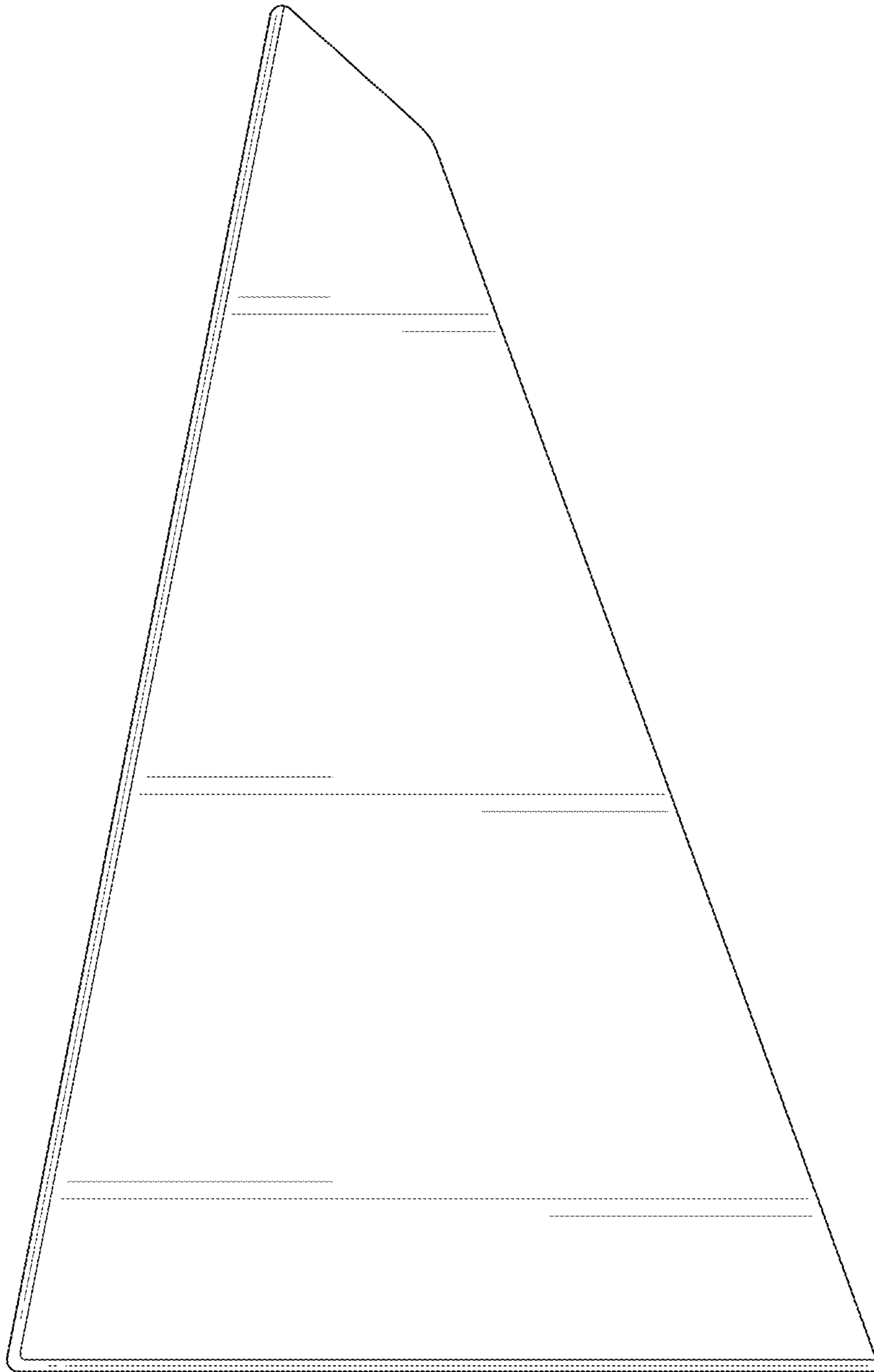


FIG. 3

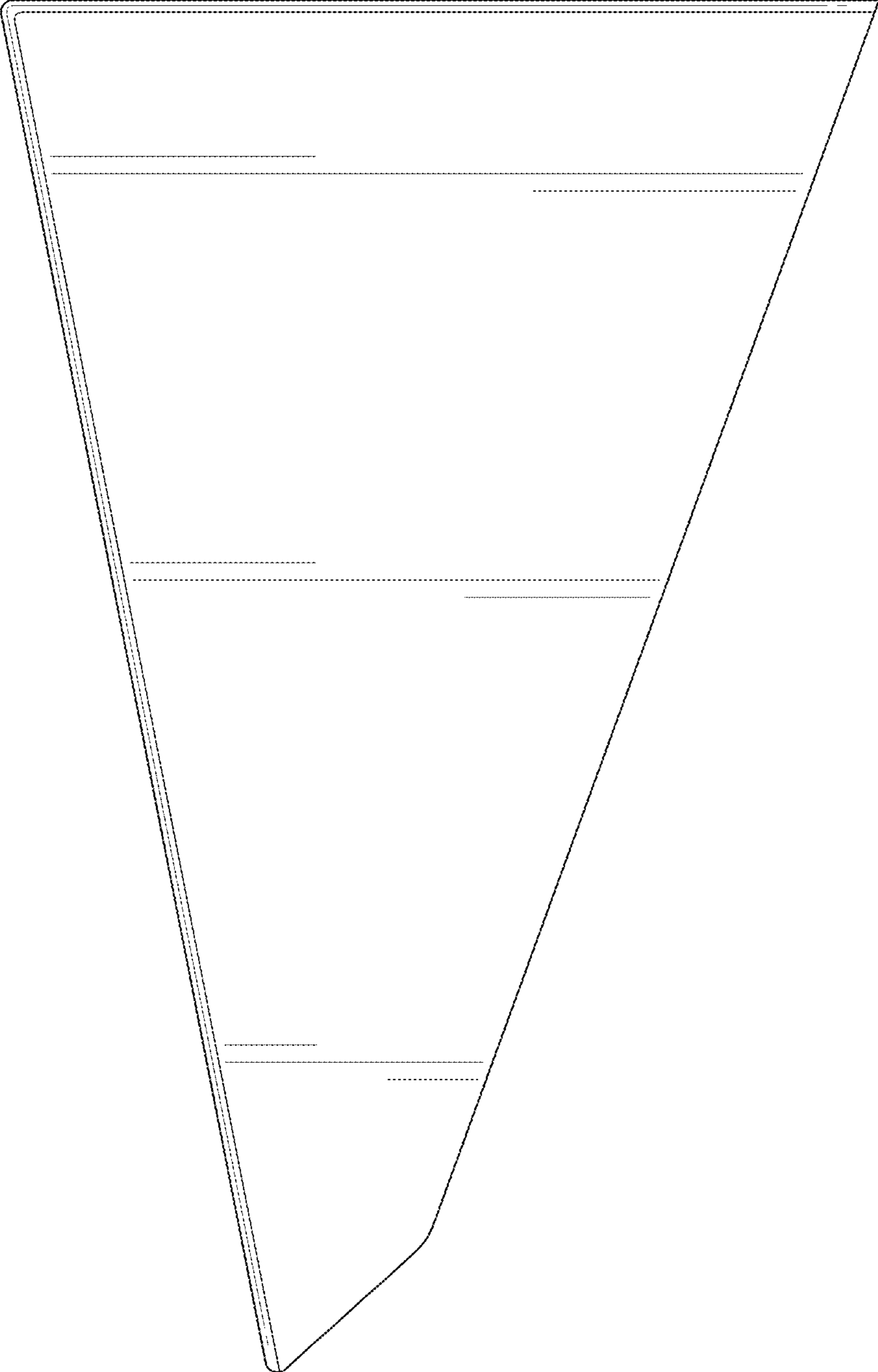


FIG. 4

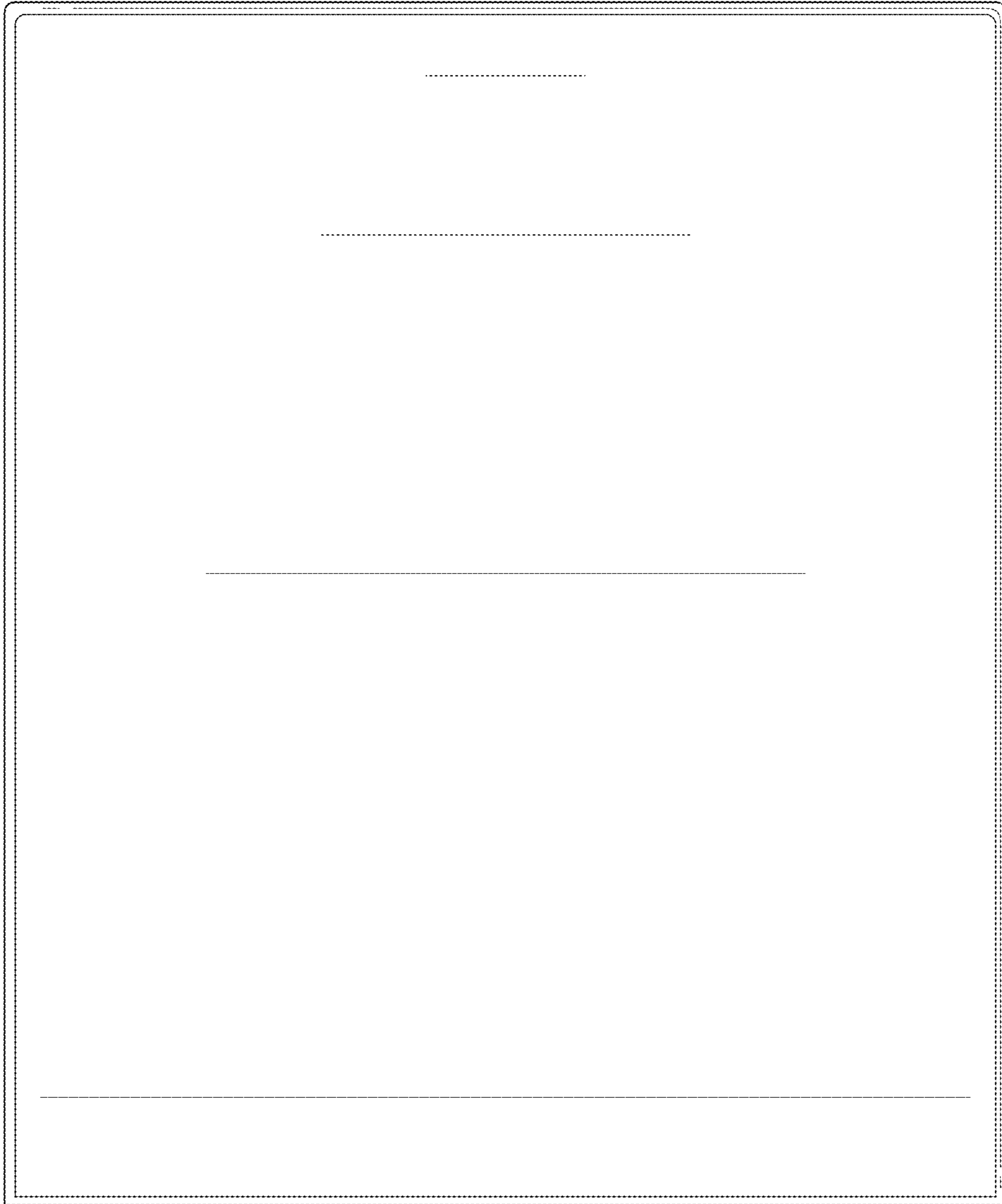


FIG. 5

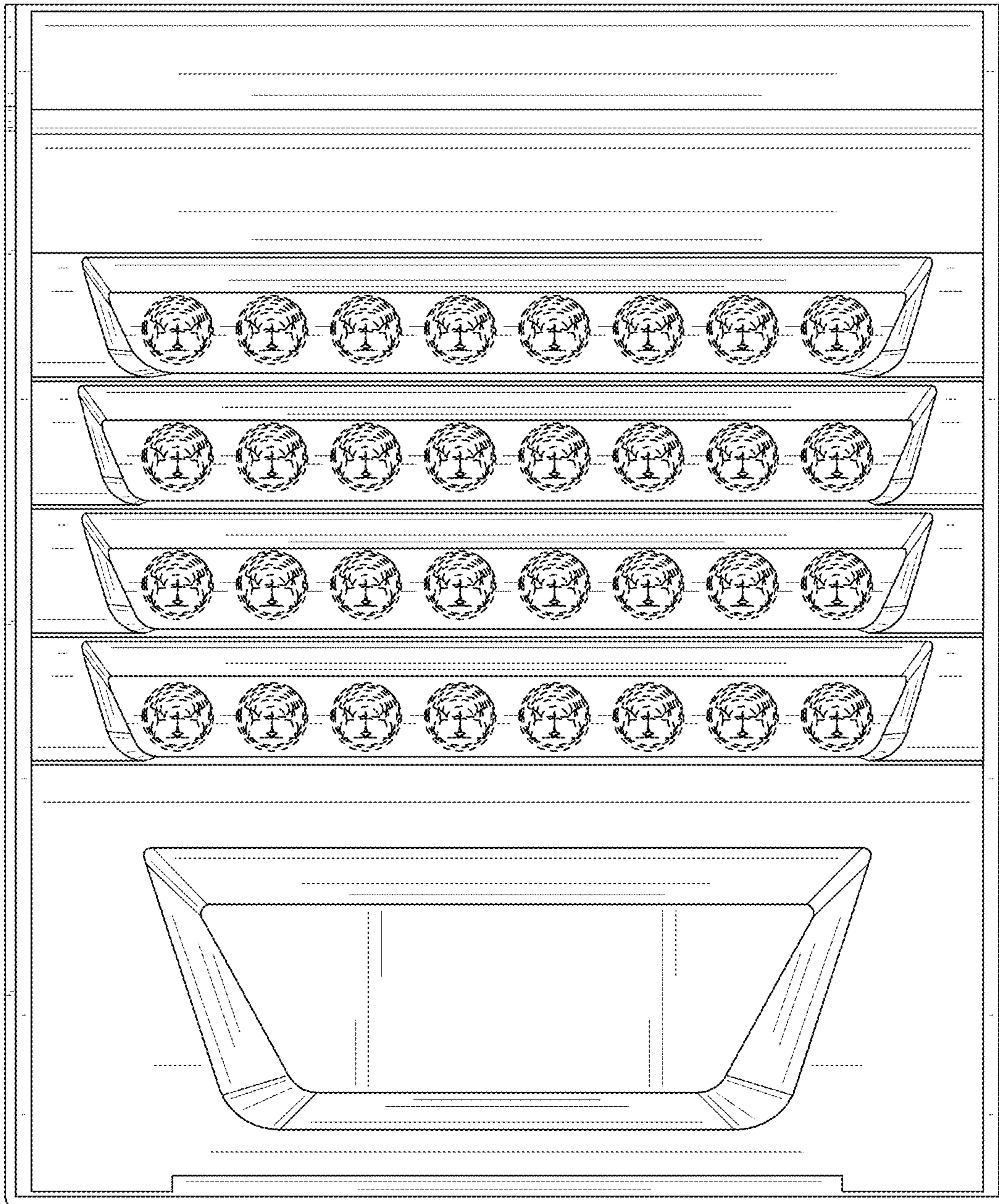


FIG. 6