



US00D768903S

(12) **United States Design Patent**  
**Guzzini**

(10) **Patent No.:** **US D768,903 S**  
(45) **Date of Patent:** **\*\* Oct. 11, 2016**

(54) **LUMINAIRE**  
(71) Applicant: **Iguzzini Illuminazione S.P.A.**, Recanati (IT)  
(72) Inventor: **Adolfo Guzzini**, Recanati (IT)  
(73) Assignee: **Iguzzini Illuminazione S.P.A.**, Recanati (IT)  
(\*\*) Term: **15 Years**

7,465,070 B2 \* 12/2008 Engel ..... F21S 2/00  
362/147  
D632,821 S \* 2/2011 Culbert ..... D26/74  
D639,994 S \* 6/2011 Wauters ..... D26/83  
D696,447 S \* 12/2013 Huh ..... D26/74  
D698,970 S \* 2/2014 Guzzini ..... D26/74  
D698,971 S \* 2/2014 Guzzini ..... D26/74  
D698,972 S \* 2/2014 Guzzini ..... D26/74  
D699,385 S \* 2/2014 Guzzini ..... D26/74  
D699,880 S \* 2/2014 Szoke ..... D26/74  
D715,476 S \* 10/2014 Tien ..... D26/74  
2015/0369448 A1\* 12/2015 Clauss ..... F21V 31/005  
362/311.02

(21) Appl. No.: **29/531,071**

\* cited by examiner

(22) Filed: **Jun. 23, 2015**

*Primary Examiner* — Angela J Lee

(30) **Foreign Application Priority Data**

(74) *Attorney, Agent, or Firm* — Stetina Brunda Garred & Brucker

Dec. 23, 2014 (EP) ..... 002604660-0017

(51) **LOC (10) Cl.** ..... **26-05**

(52) **U.S. Cl.**  
USPC ..... **D26/74**

(58) **Field of Classification Search**  
USPC ..... D26/74, 72, 75, 76, 77, 78, 85, 88, 89,  
D26/118, 138, 141; 362/364, 365, 373, 145,  
362/146, 147, 148, 150, 153, 153.1, 294,  
362/296.01, 296.07, 296.08  
CPC .... F21V 29/2262; F21V 7/06; F21V 21/044;  
F21V 21/047; F21V 29/2212; F21V 29/2225;  
F21V 29/2256; F21V 29/225; F21V 29/2268;  
F21Y 2111/002; F21S 8/02; F21S 8/026  
See application file for complete search history.

(57) **CLAIM**  
The ornamental design for luminaire, as shown and described.

**DESCRIPTION**

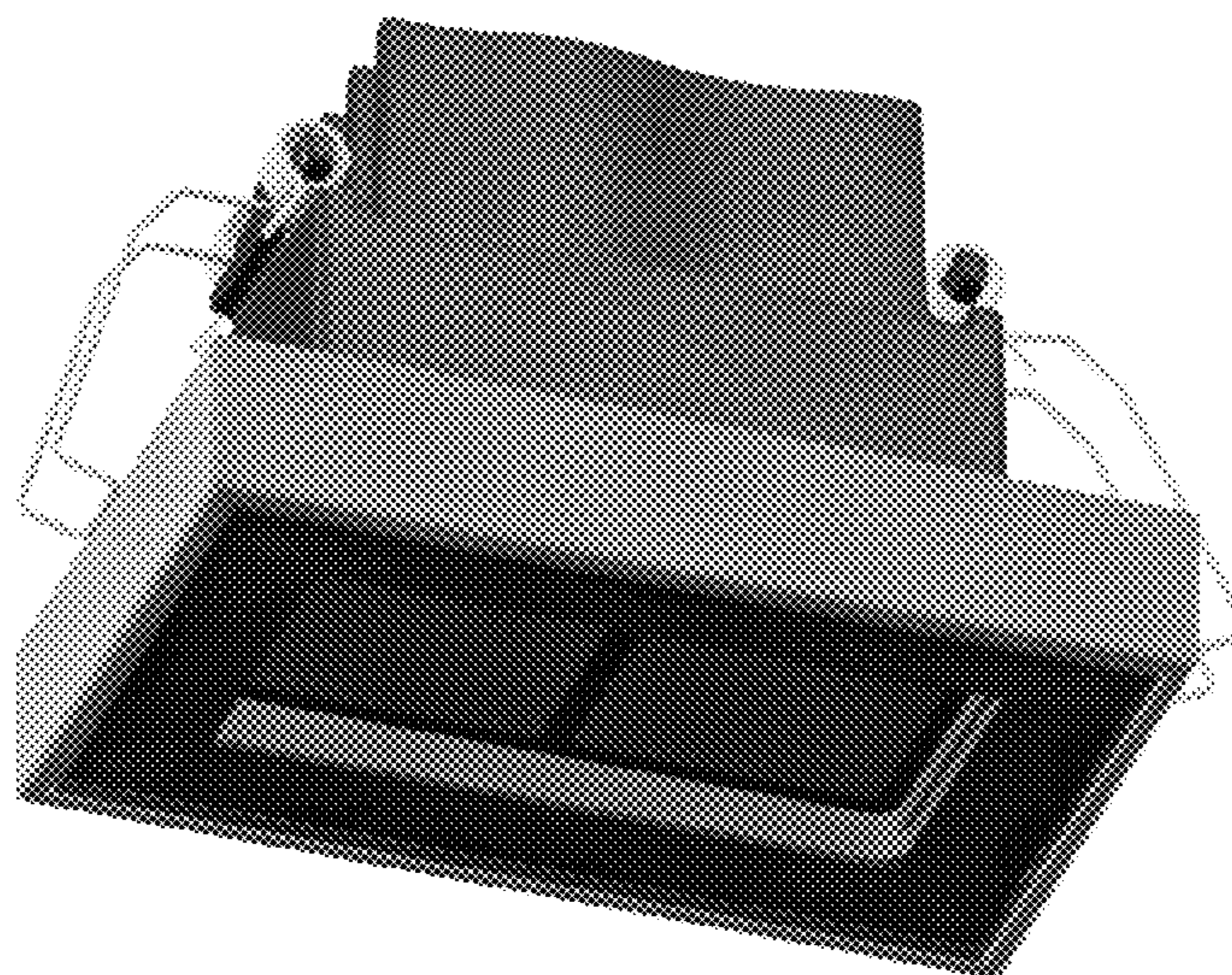
FIG. 1 is a front perspective view of the luminaire of the present invention showing my new design;  
FIG. 2 is a front view thereof;  
FIG. 3 is a right view thereof;  
FIG. 4 is a left view thereof;  
FIG. 5 is a back view thereof;  
FIG. 6 is a top view thereof; and,  
FIG. 7 is a bottom view thereof.

(56) **References Cited**

**U.S. PATENT DOCUMENTS**

D551,379 S \* 9/2007 Maxik ..... D26/74  
D569,024 S \* 5/2008 Redfern ..... D26/74

**1 Claim, 7 Drawing Sheets**



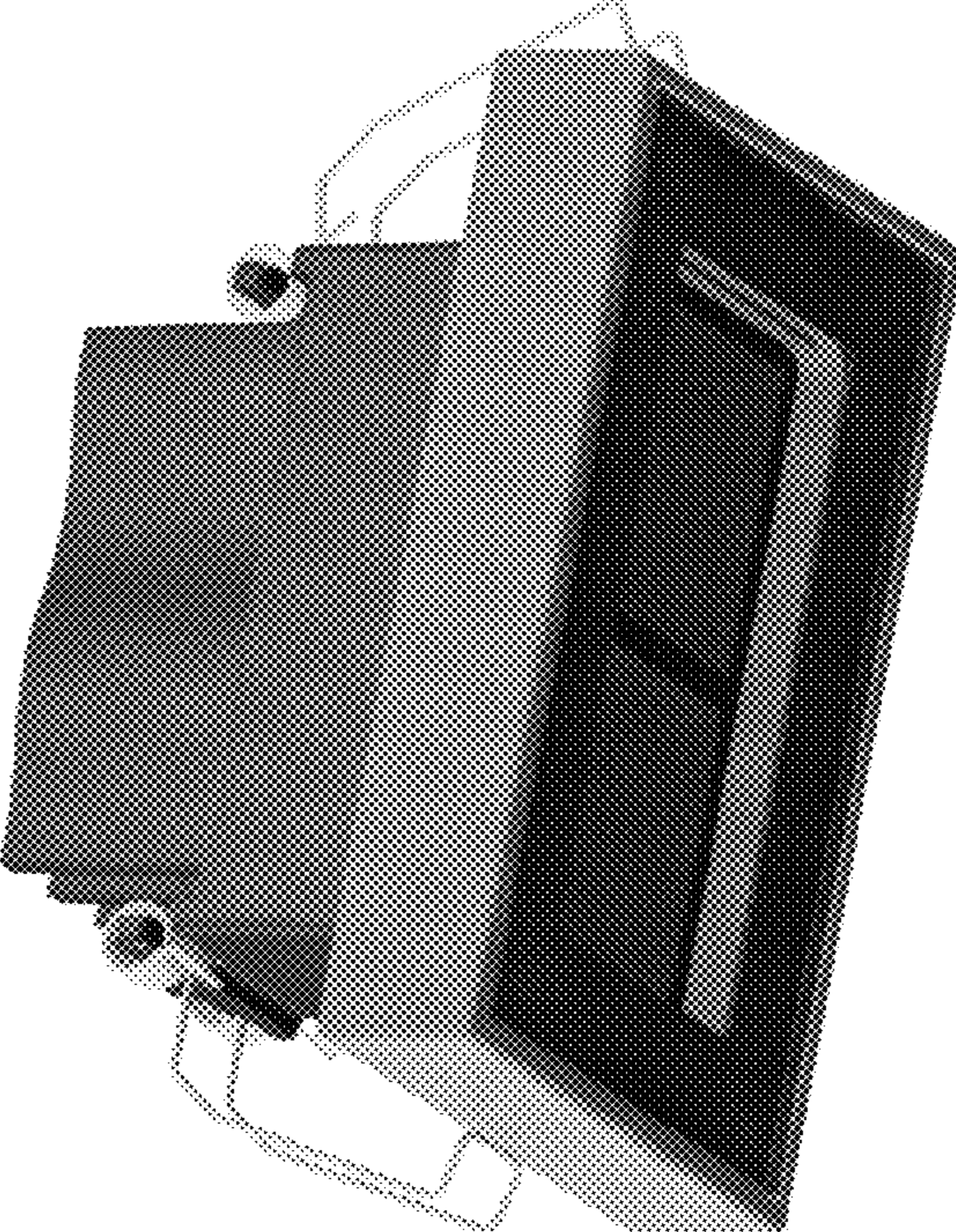


FIG. 1

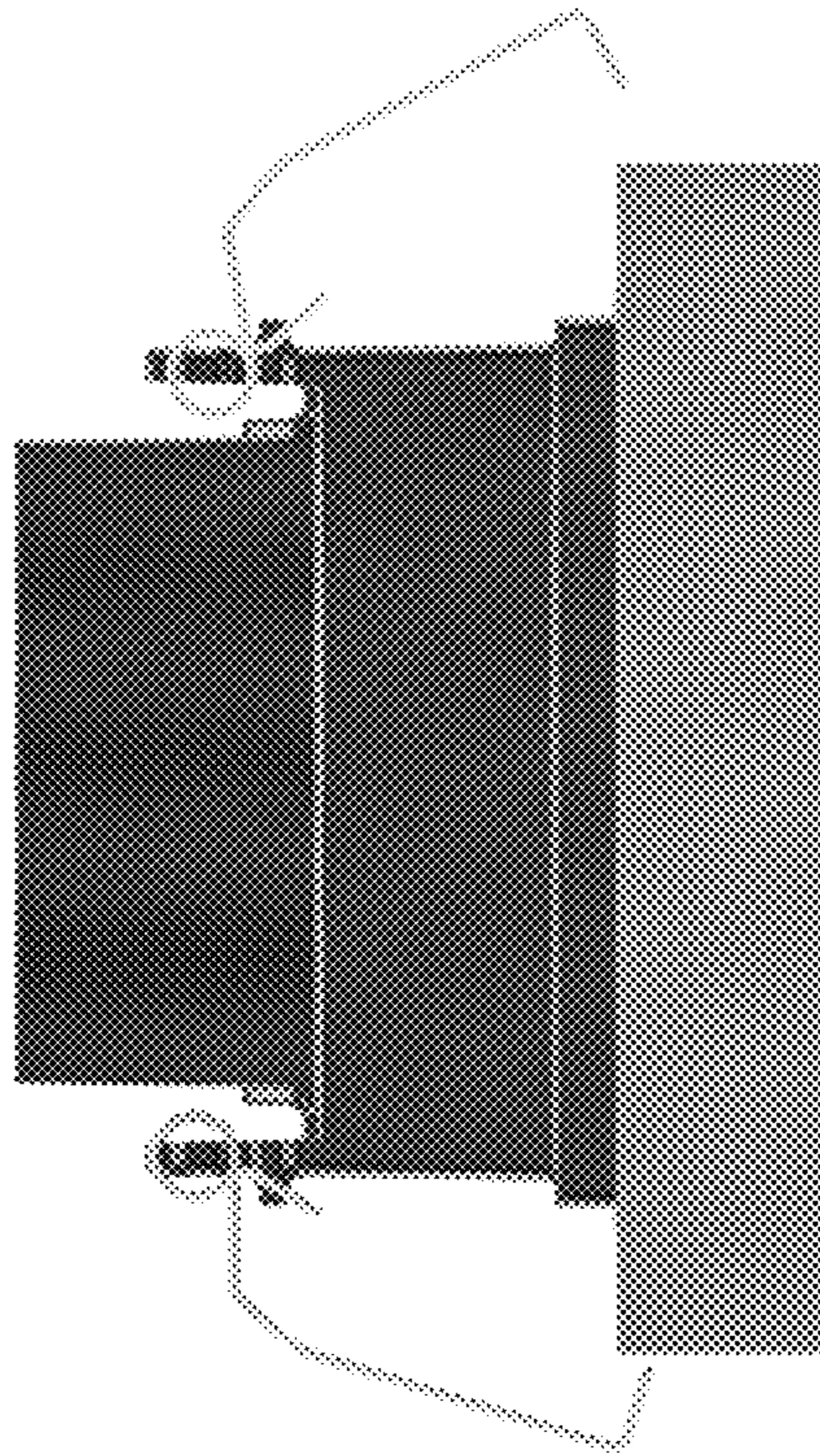


FIG. 2

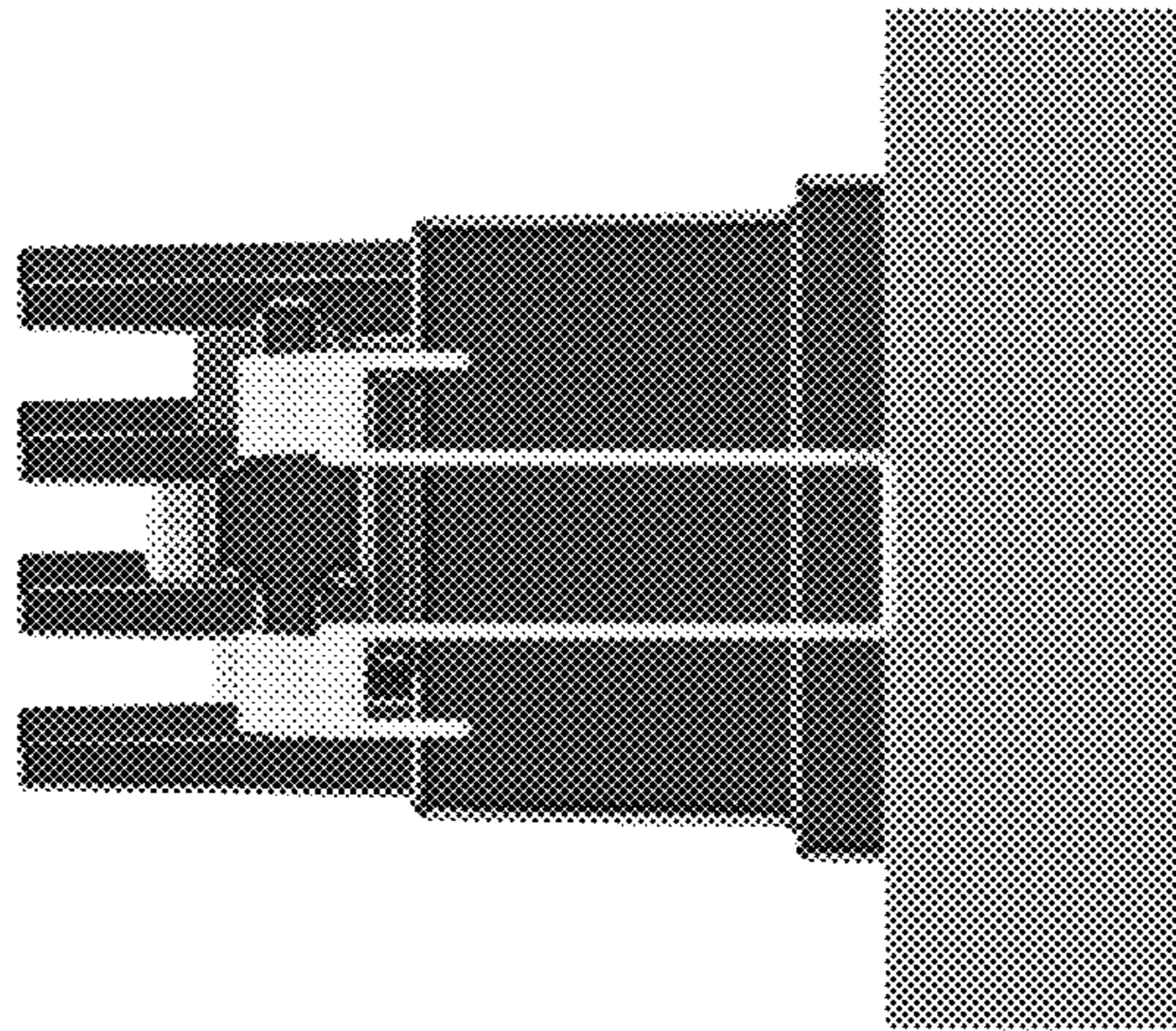


FIG. 3

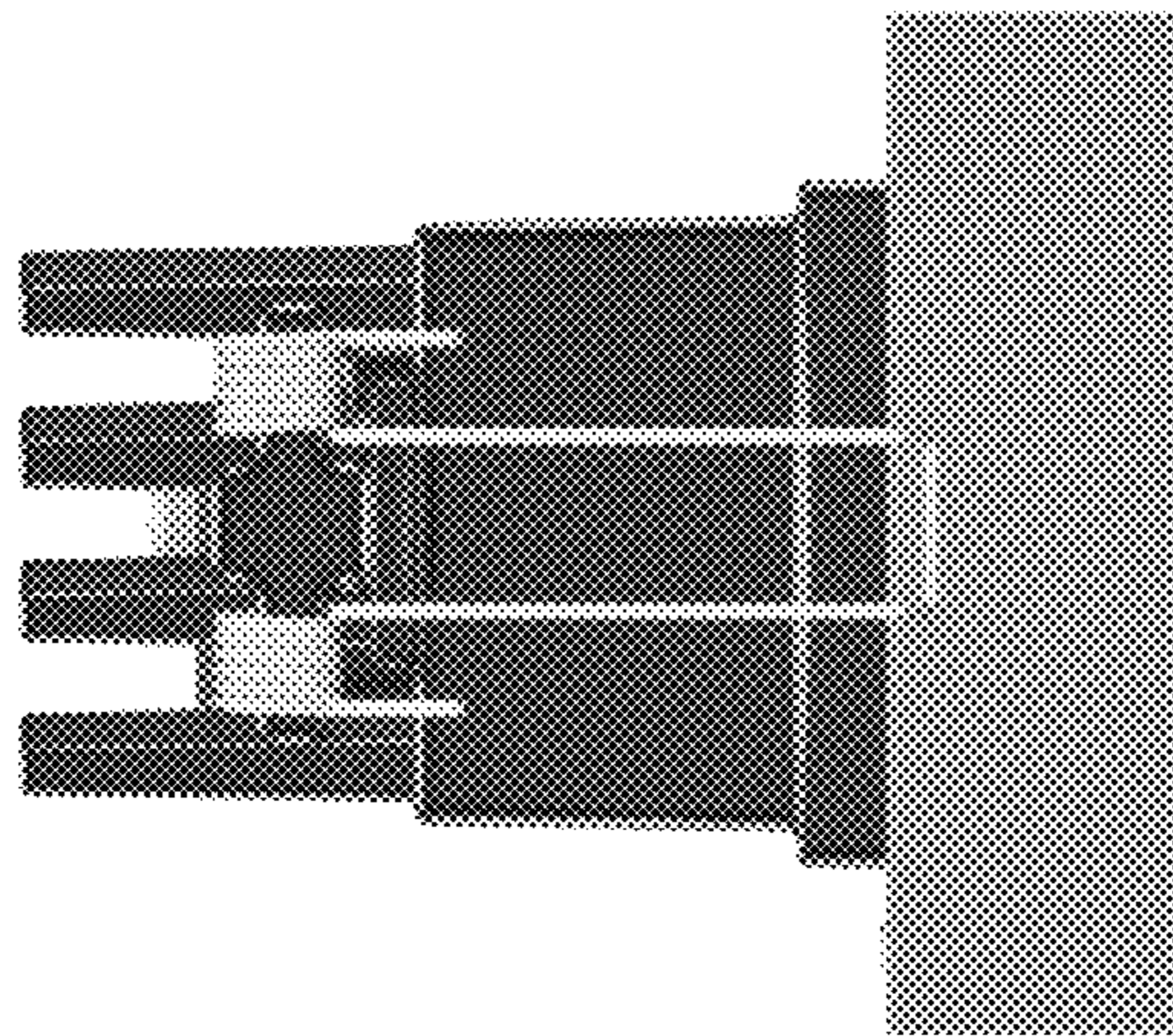


FIG. 4

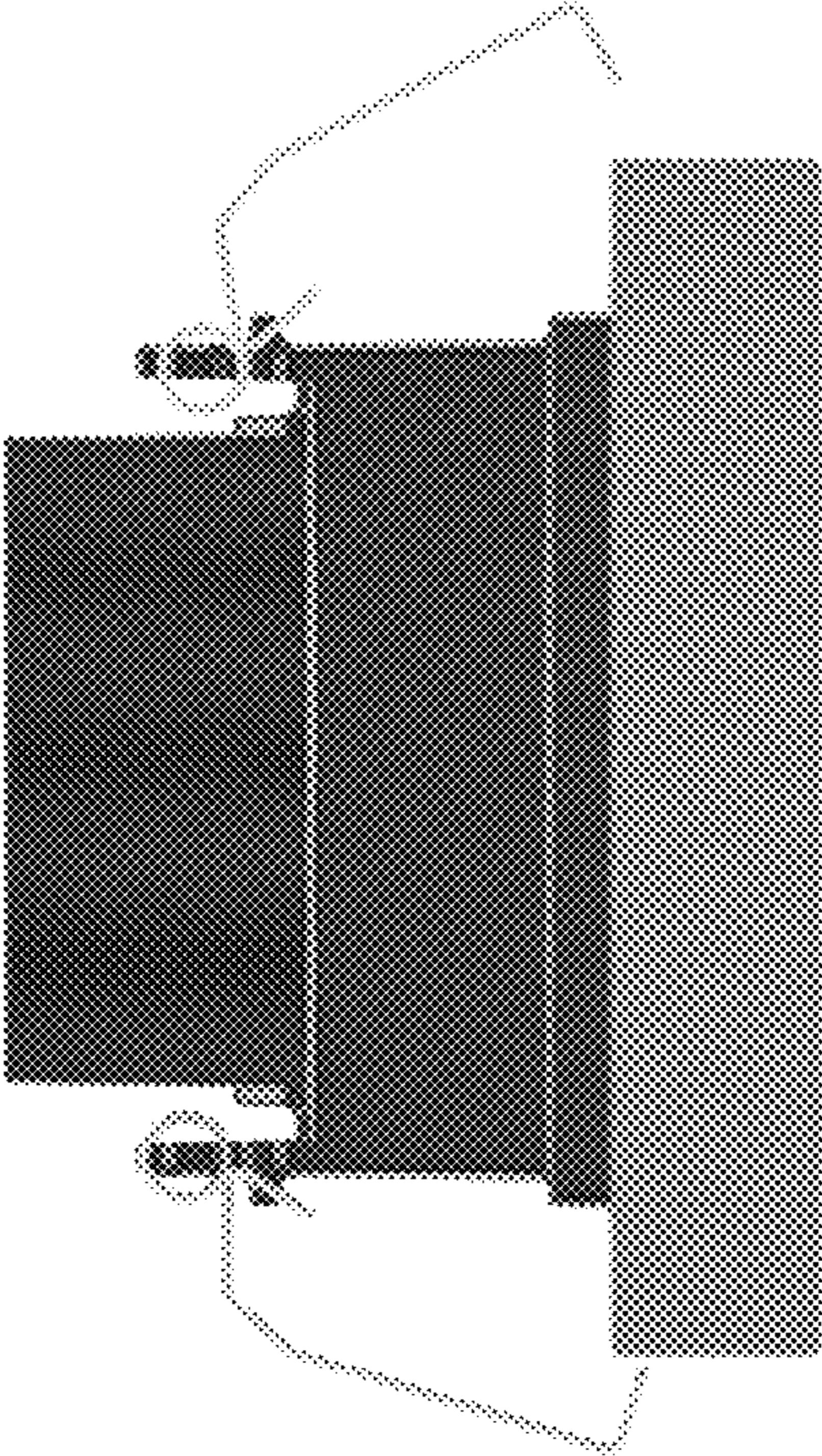


FIG. 5

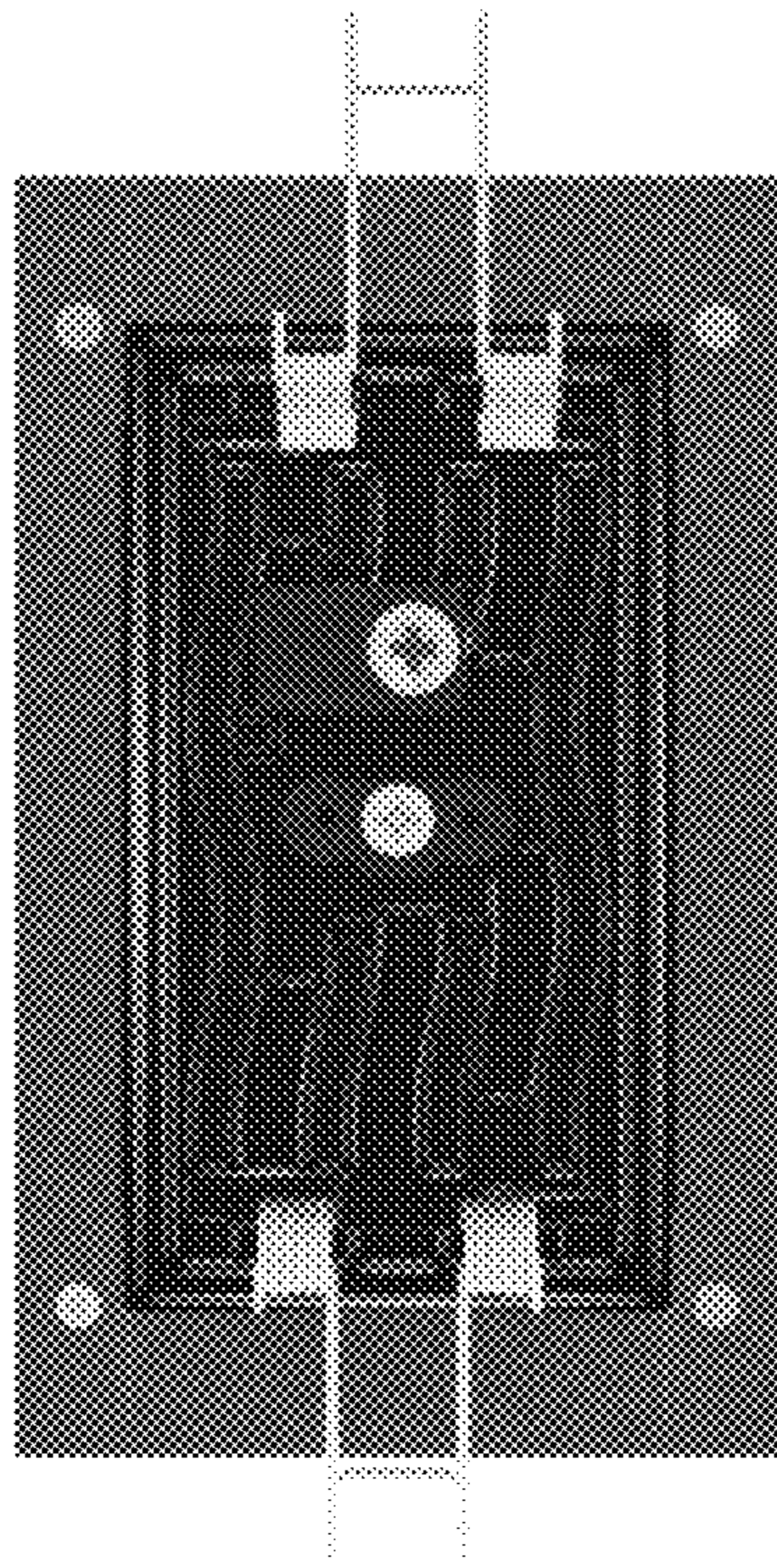


FIG. 6

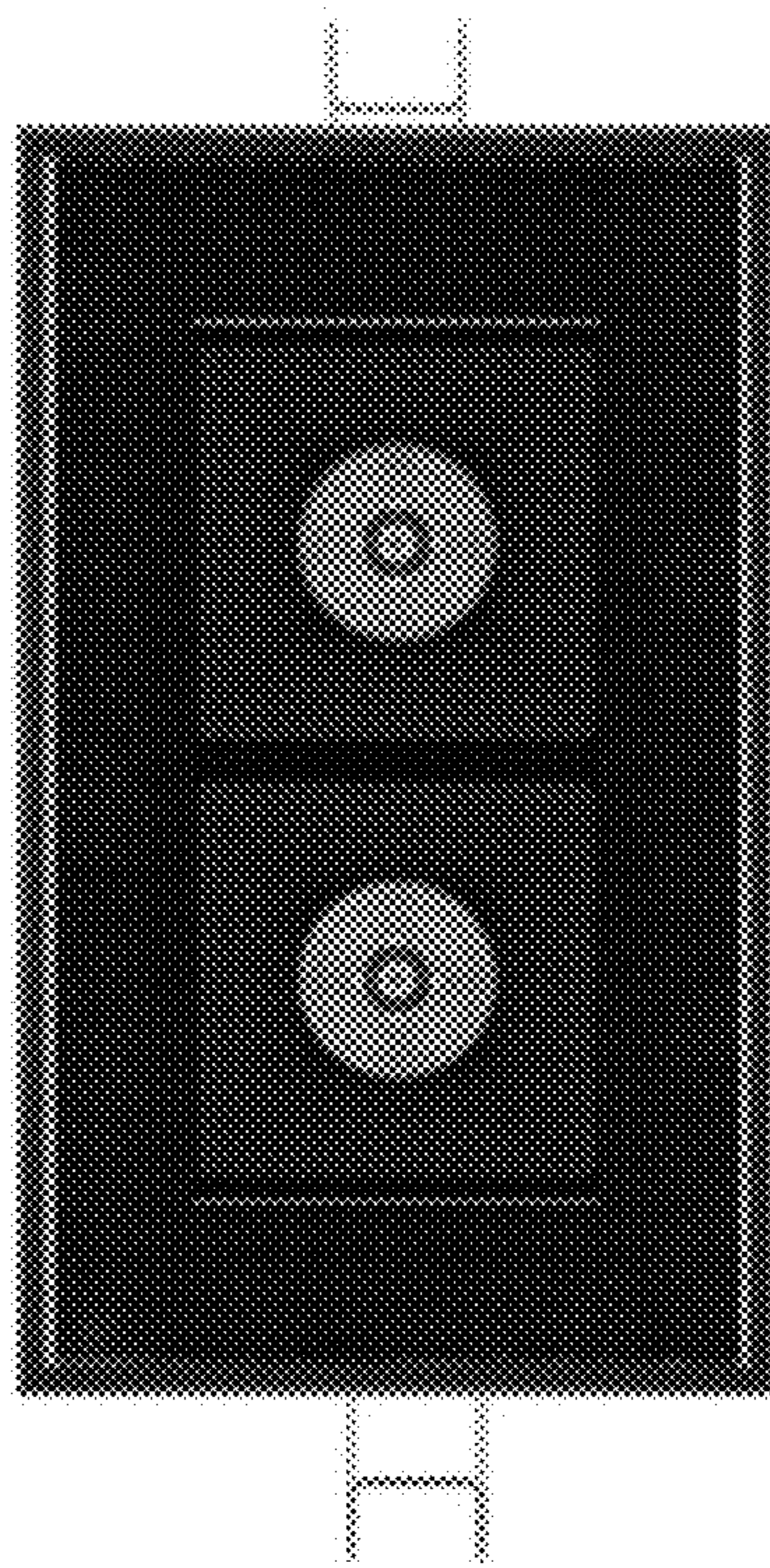


FIG. 7