



US00D768902S

(12) **United States Design Patent**
Driver et al.

(10) **Patent No.:** **US D768,902 S**

(45) **Date of Patent:** **** Oct. 11, 2016**

(54) **LAMP UNIT**

(71) Applicant: **Loft Leg Ltd**, Nelson (GB)

(72) Inventors: **Matthew Driver**, Nelson (GB); **Gareth Storey**, Nelson (GB); **Alex Williams**, Nelson (GB)

(73) Assignee: **LOFT LEG LTD**, Nelson (GB)

(**) Term: **15 Years**

(21) Appl. No.: **29/545,558**

(22) Filed: **Nov. 13, 2015**

(30) **Foreign Application Priority Data**

Jun. 30, 2015 (EM) 002729038-0001

(51) **LOC (10) Cl.** **26-05**

(52) **U.S. Cl.**
USPC **D26/72**

(58) **Field of Classification Search**
USPC D26/72, 76, 77, 78, 80, 85, 89, 142,
D26/121, 122
CPC F21S 8/03; F21S 8/031; F21S 8/033;
F21S 8/036; F21S 9/03; F21S 9/037; F21V
21/025; F21V 17/08; F21V 17/10
See application file for complete search history.

(56) **References Cited**

U.S. PATENT DOCUMENTS

2,478,129 A * 8/1949 Powell F21L 11/00
324/507
3,125,300 A * 3/1964 Roche F21S 9/022
362/20
4,032,774 A * 6/1977 Spicer F21V 19/006
362/382

4,385,346 A * 5/1983 Spicer F21S 8/033
362/147
5,000,409 A * 3/1991 MacLeod F21V 21/02
248/205.1
5,400,233 A * 3/1995 Hong F21S 2/005
362/249.01
D439,001 S * 3/2001 Pan D26/85
D583,495 S * 12/2008 Khubani D26/72
7,531,972 B1 * 5/2009 Worsham F21S 8/033
318/16
D641,913 S * 7/2011 Lagutko D26/74
2007/0193197 A1 * 8/2007 Vagedes E04F 19/02
52/716.1
2007/0291477 A1 * 12/2007 Khubani F21L 15/14
362/191

* cited by examiner

Primary Examiner — Clare E Heflin

(74) *Attorney, Agent, or Firm* — Egbert Law Offices,
PLLC

(57) **CLAIM**

The ornamental design for a lamp unit, as shown and described.

DESCRIPTION

FIG. 1 is a front perspective view of a lamp unit showing our design.

FIG. 2 is a front view thereof;

FIG. 3 is a rear view thereof;

FIG. 4 is a side view thereof, an opposite side view being a mirror image thereof;

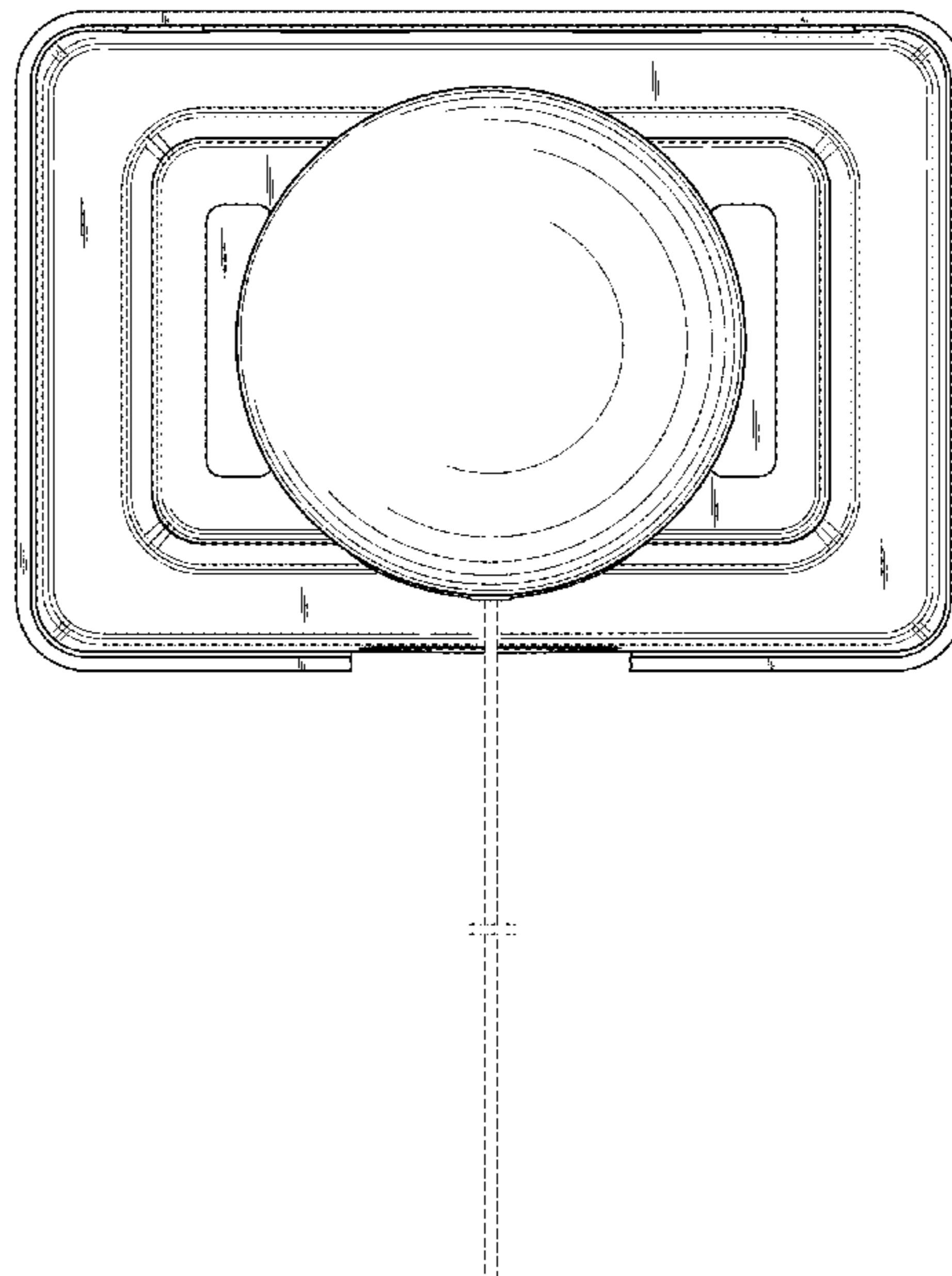
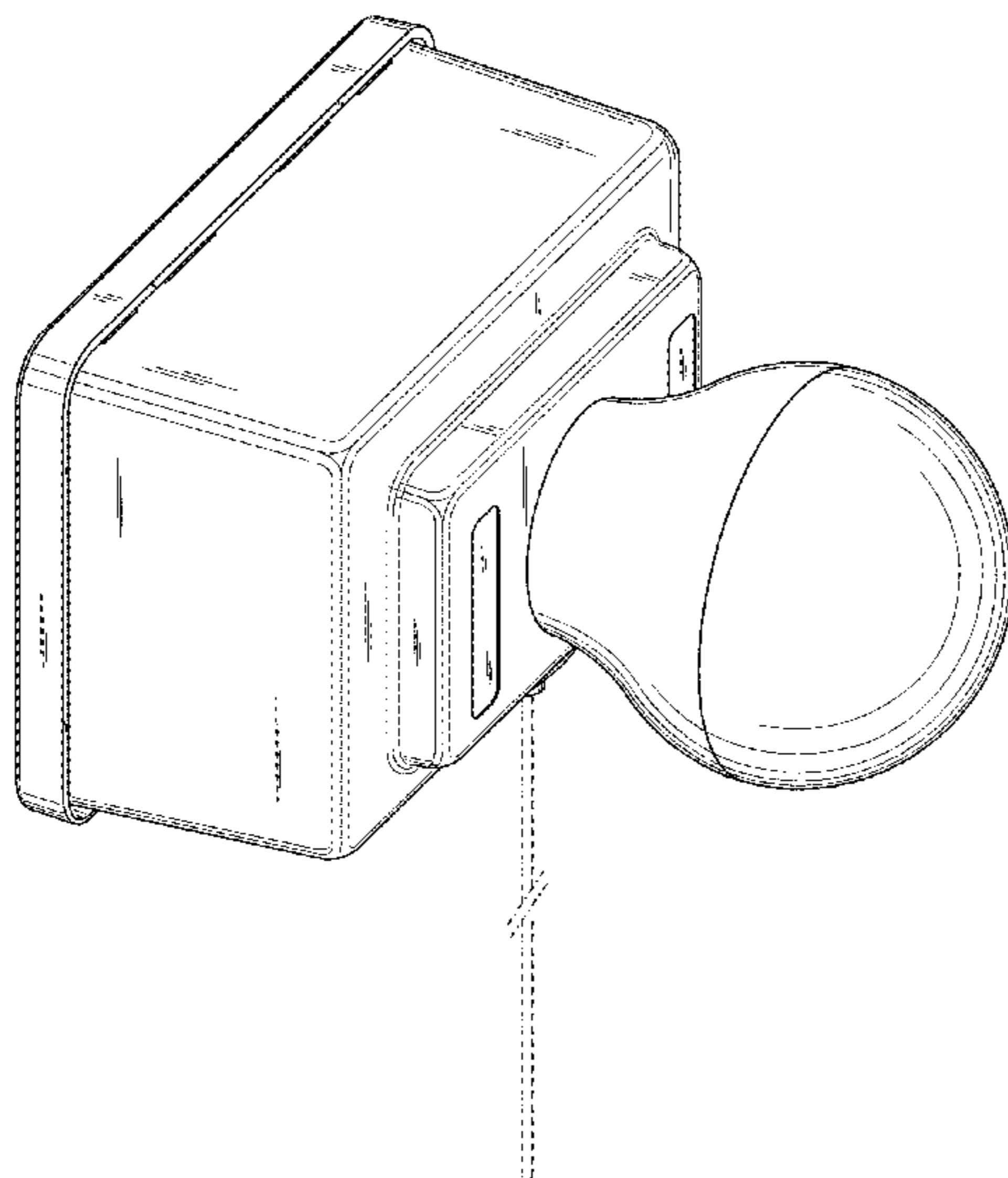
FIG. 5 is a top view thereof; and,

FIG. 6 is a bottom view thereof.

The lamp unit is battery powered and primarily for use in an attic or loft space.

The broken lines shown on the drawings depict portions of the lamp that form no part of the claimed design.

1 Claim, 6 Drawing Sheets



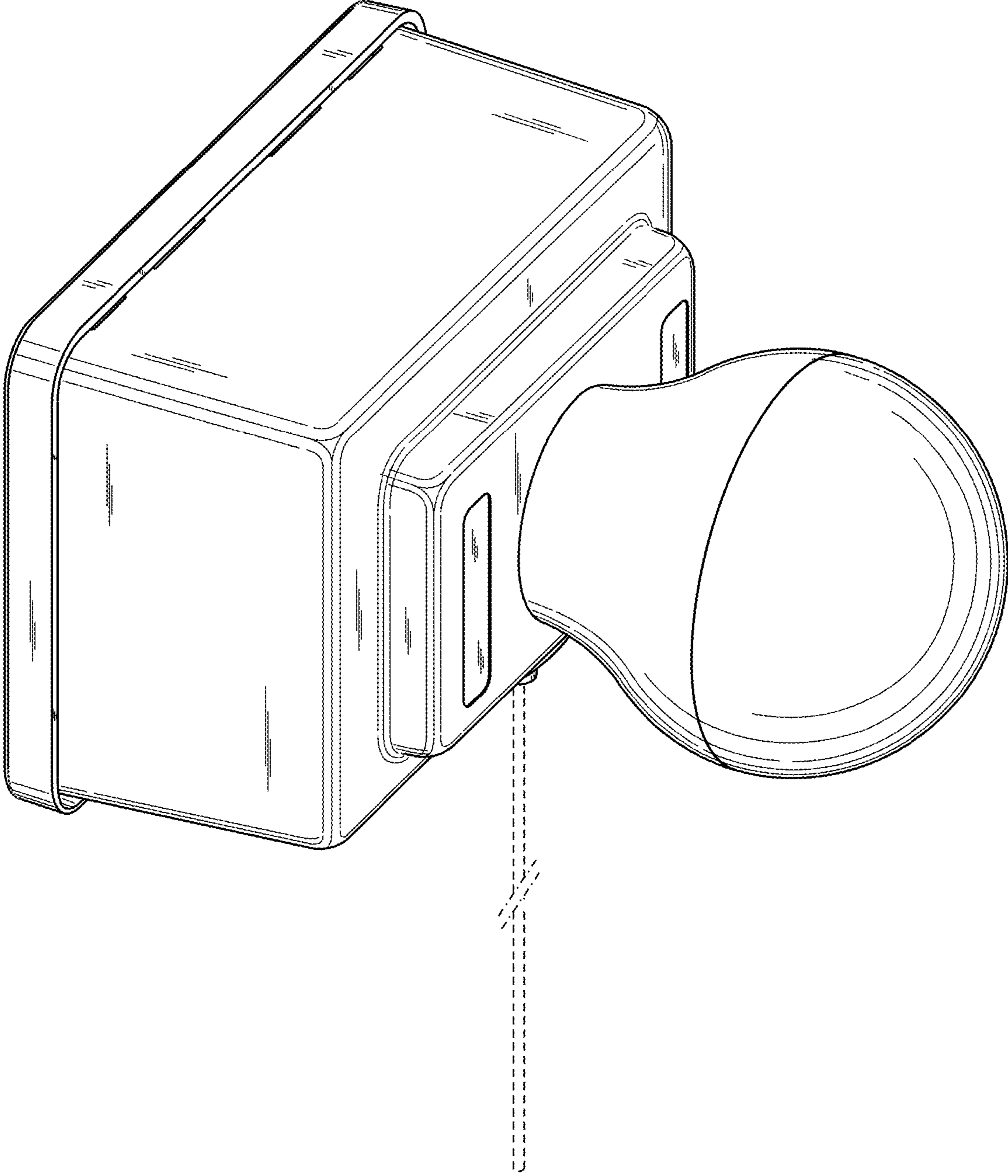


Fig. 1

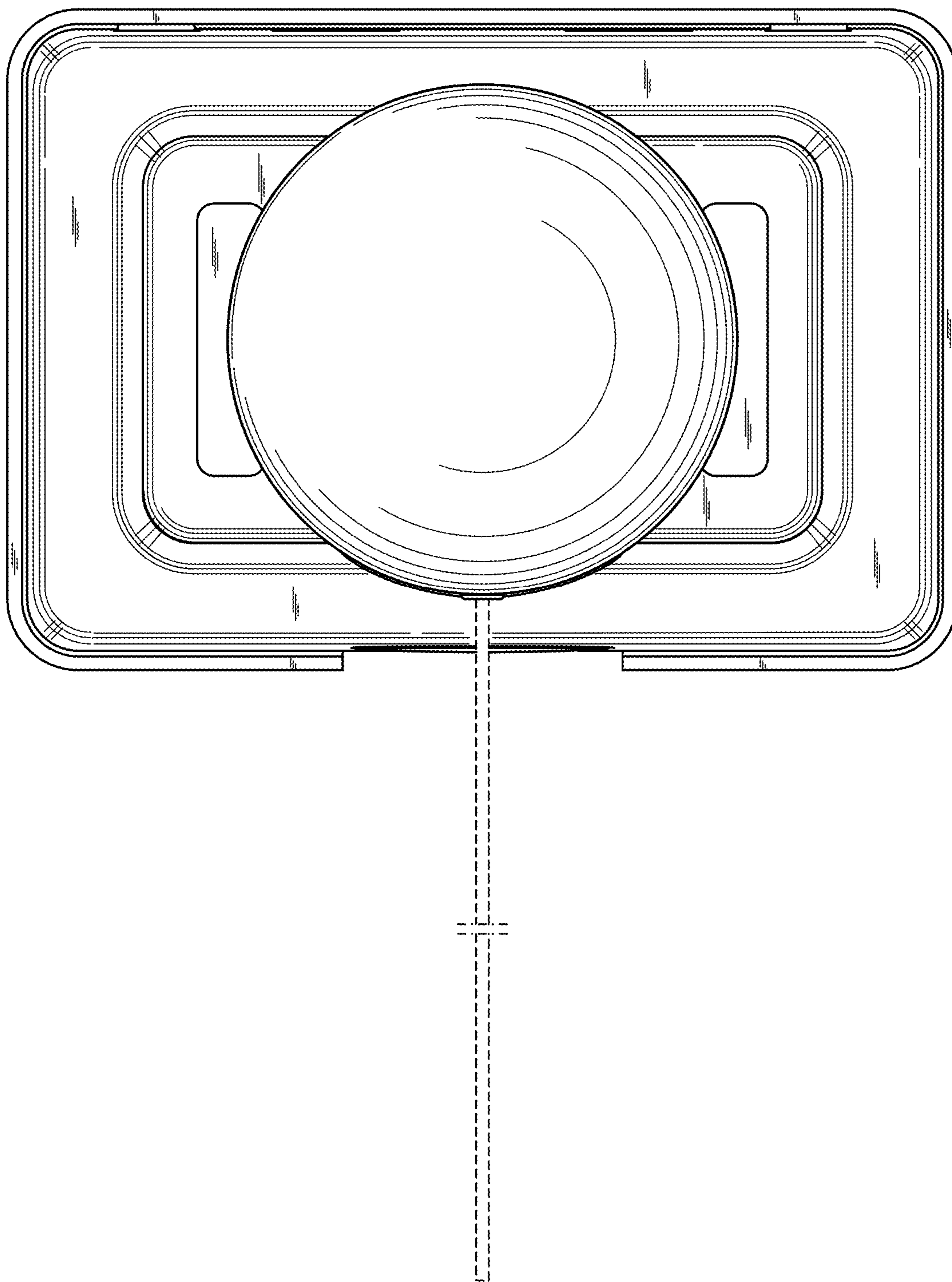


Fig. 2

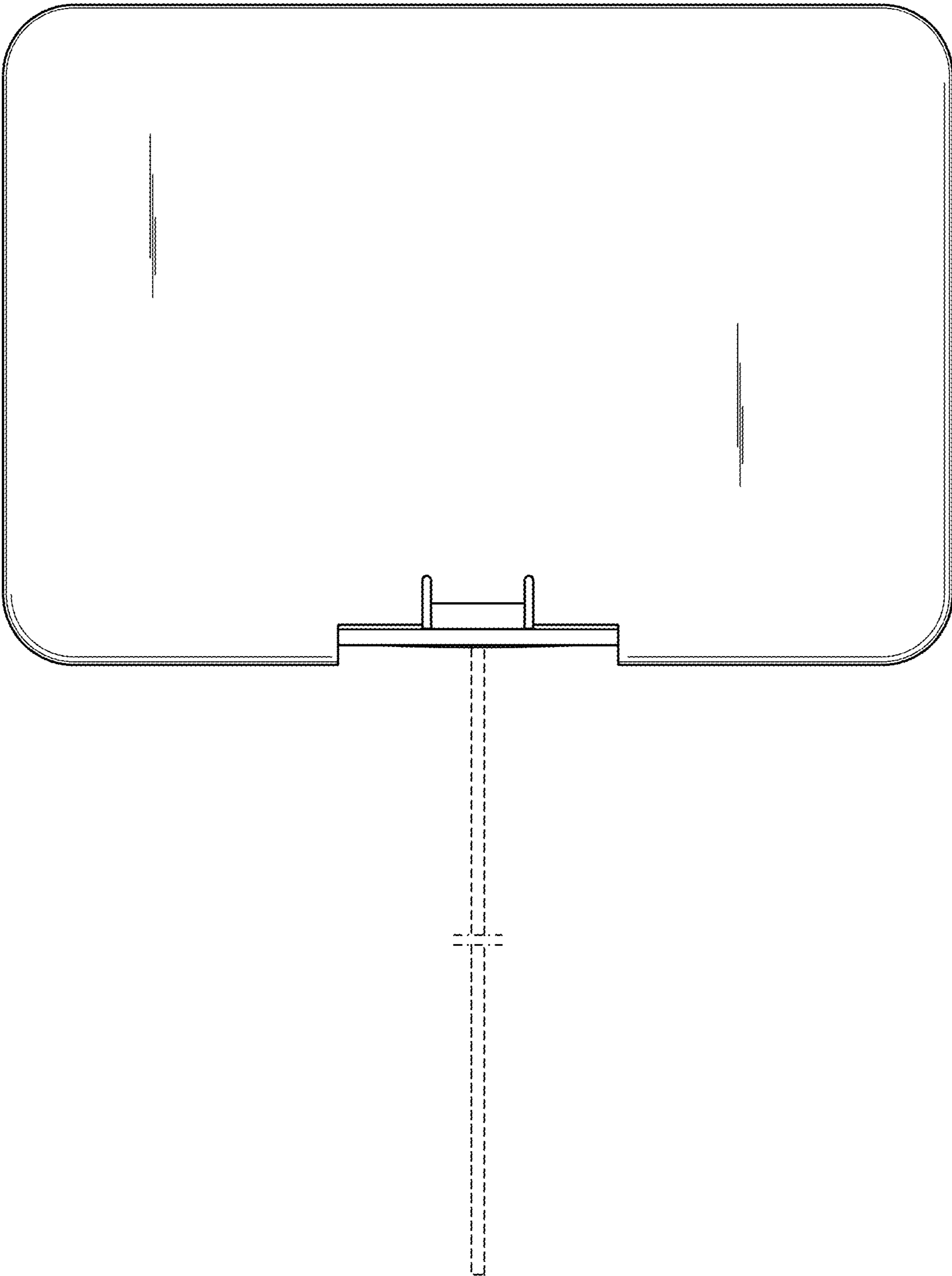


Fig. 3

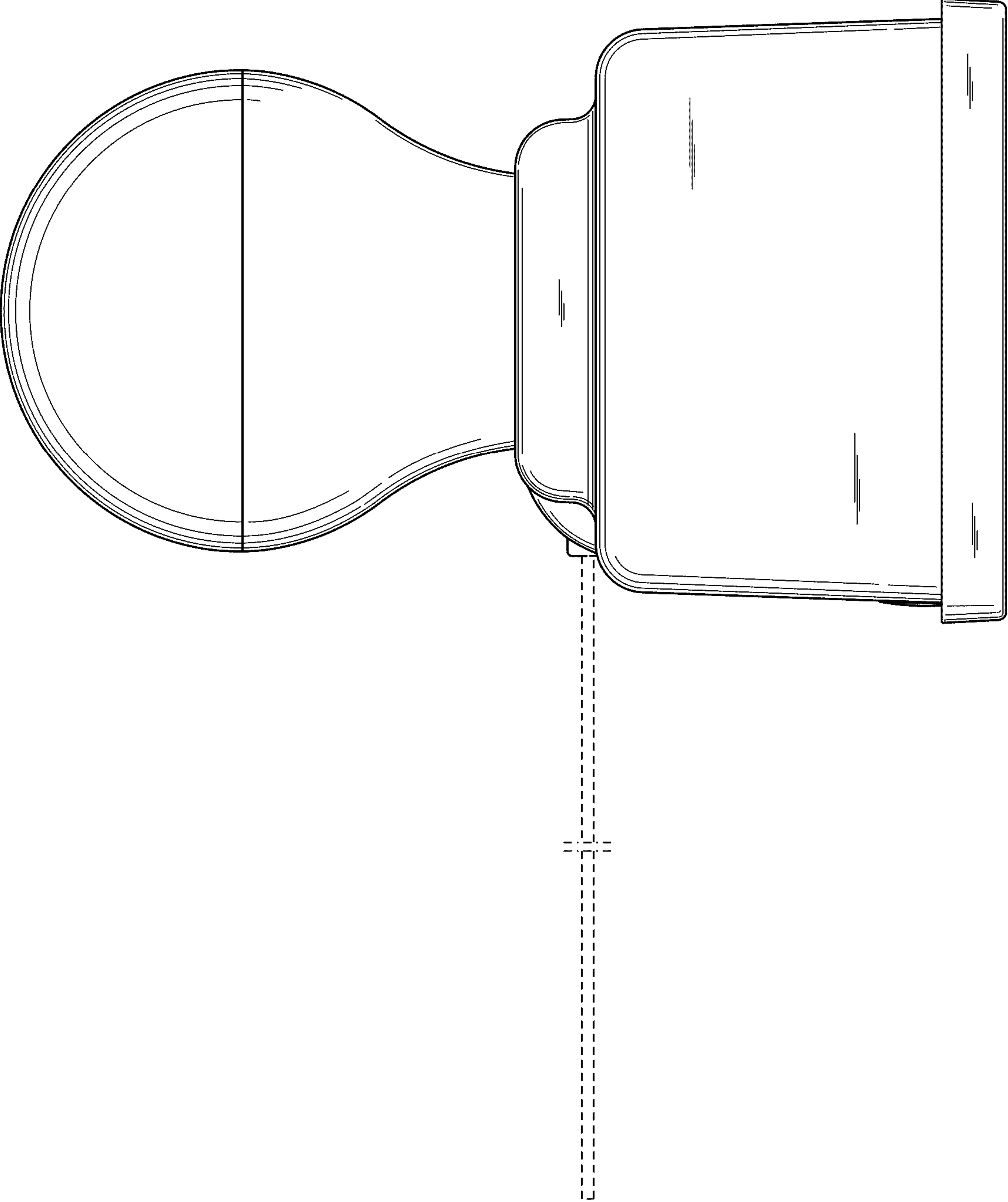


Fig. 4

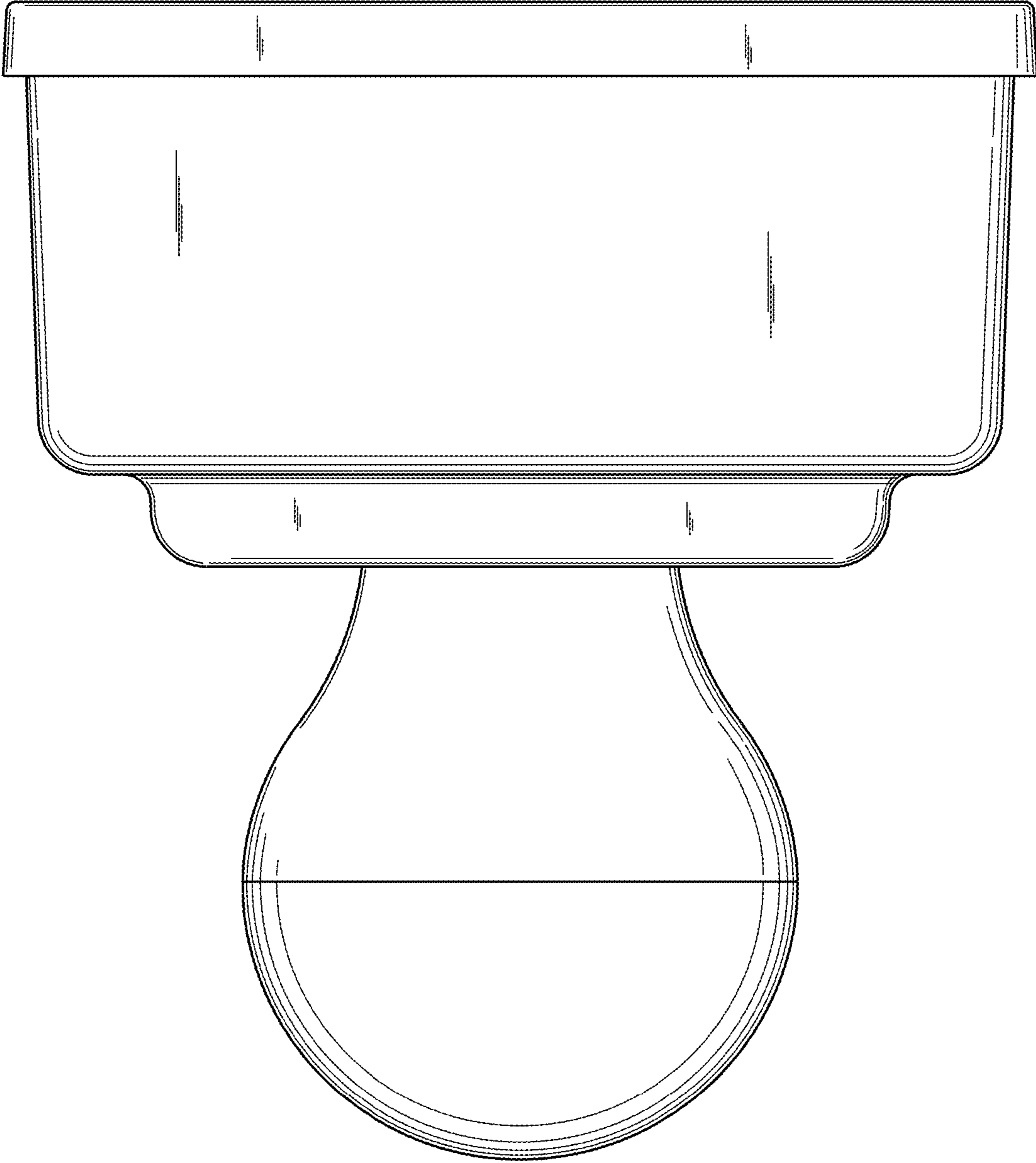


Fig. 5

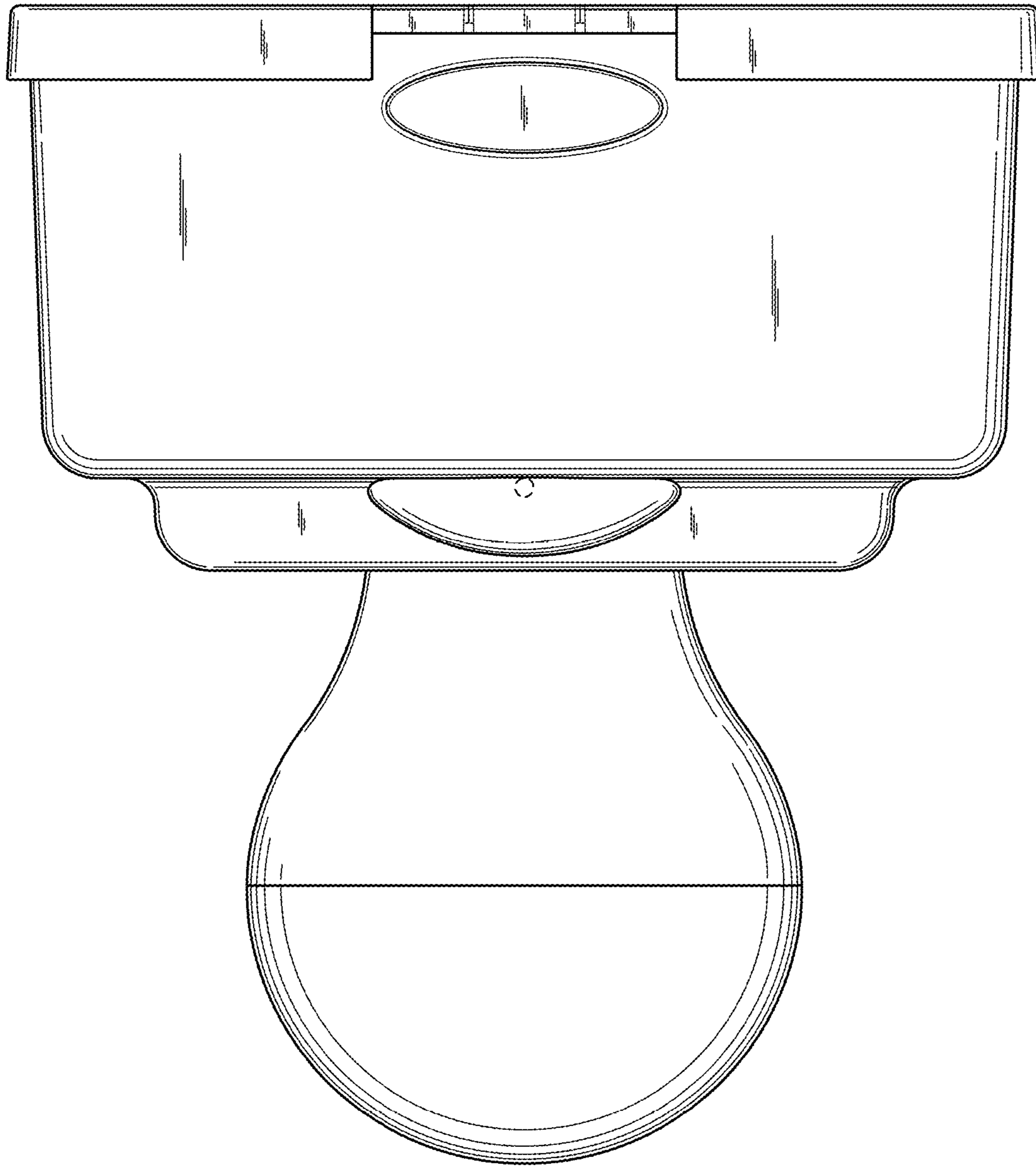


Fig. 6