



US00D768901S

(12) **United States Design Patent** (10) **Patent No.:** **US D768,901 S**  
**Hillberg et al.** (45) **Date of Patent:** **\*\* \*Oct. 11, 2016**

(54) **GREENHOUSE LAMP**

FOREIGN PATENT DOCUMENTS

(71) Applicant: **Heliospectra AB**, Göteborg (SE)

WO WO-2009/141287 A1 11/2009

(72) Inventors: **Staffan Hillberg**, Molndal (SE);  
**Christoffer Steele**, Kungsbacka (SE);  
**Anthony Gilley**, Hisings Karra (SE);  
**Chris Walker**, Tuscon, AZ (US)

*Primary Examiner* — Clare E Heflin

(74) *Attorney, Agent, or Firm* — Harness, Dickey & Pierce PLC

(73) Assignee: **HELIOSPECTRA AB**, Göteborg (SE)

(\*) Notice: This patent is subject to a terminal disclaimer.

(57) **CLAIM**

The ornamental design for a greenhouse lamp, as shown and described.

(\*\*) Term: **14 Years**

(21) Appl. No.: **29/495,372**

**DESCRIPTION**

(22) Filed: **Jun. 30, 2014**

(30) **Foreign Application Priority Data**

Jan. 2, 2014 (EM) ..... 001396865-0001  
Jan. 2, 2014 (EM) ..... 001396865-0002  
Jan. 2, 2014 (EM) ..... 001396865-0003  
Jan. 2, 2014 (EM) ..... 001396865-0004  
Jan. 2, 2014 (EM) ..... 001396865-0005  
Jan. 2, 2014 (EM) ..... 001396865-0006

FIG. 1 is a perspective view of a first embodiment of a greenhouse lamp showing our new design;  
FIG. 2 is a perspective view thereof;  
FIG. 3 is a front elevational view thereof;  
FIG. 4 is a left side elevational view thereof; The right side view is a mirror image of the left side view.  
FIG. 5 is a rear elevational view thereof;  
FIG. 6 is a top plan view thereof;  
FIG. 7 is a bottom plan view thereof;  
FIG. 8 is a perspective view of a second embodiment of a greenhouse lamp showing our new design;  
FIG. 9 is a perspective view thereof;  
FIG. 10 is a front elevational view thereof;  
FIG. 11 is a left side elevational view thereof; The right side view is a mirror image of the left side view.  
FIG. 12 is a rear elevational view thereof;  
FIG. 13 is a top plan view thereof; and,  
FIG. 14 is a bottom plan view thereof.

(51) **LOC (10) Cl.** ..... **26-05**

(52) **U.S. Cl.**  
USPC ..... **D26/72**

(58) **Field of Classification Search**  
USPC ..... D26/24, 69-71, 72, 92, 118  
CPC ..... F21S 9/03; F21S 8/085; F21S 8/086;  
F21W 2131/103; F21V 15/01; F21V 29/02  
See application file for complete search history.

The broken lines immediately adjacent the shaded areas represent the bounds of the claimed design while all other broken lines depict portions of the greenhouse lamp that form no part of the claimed design.

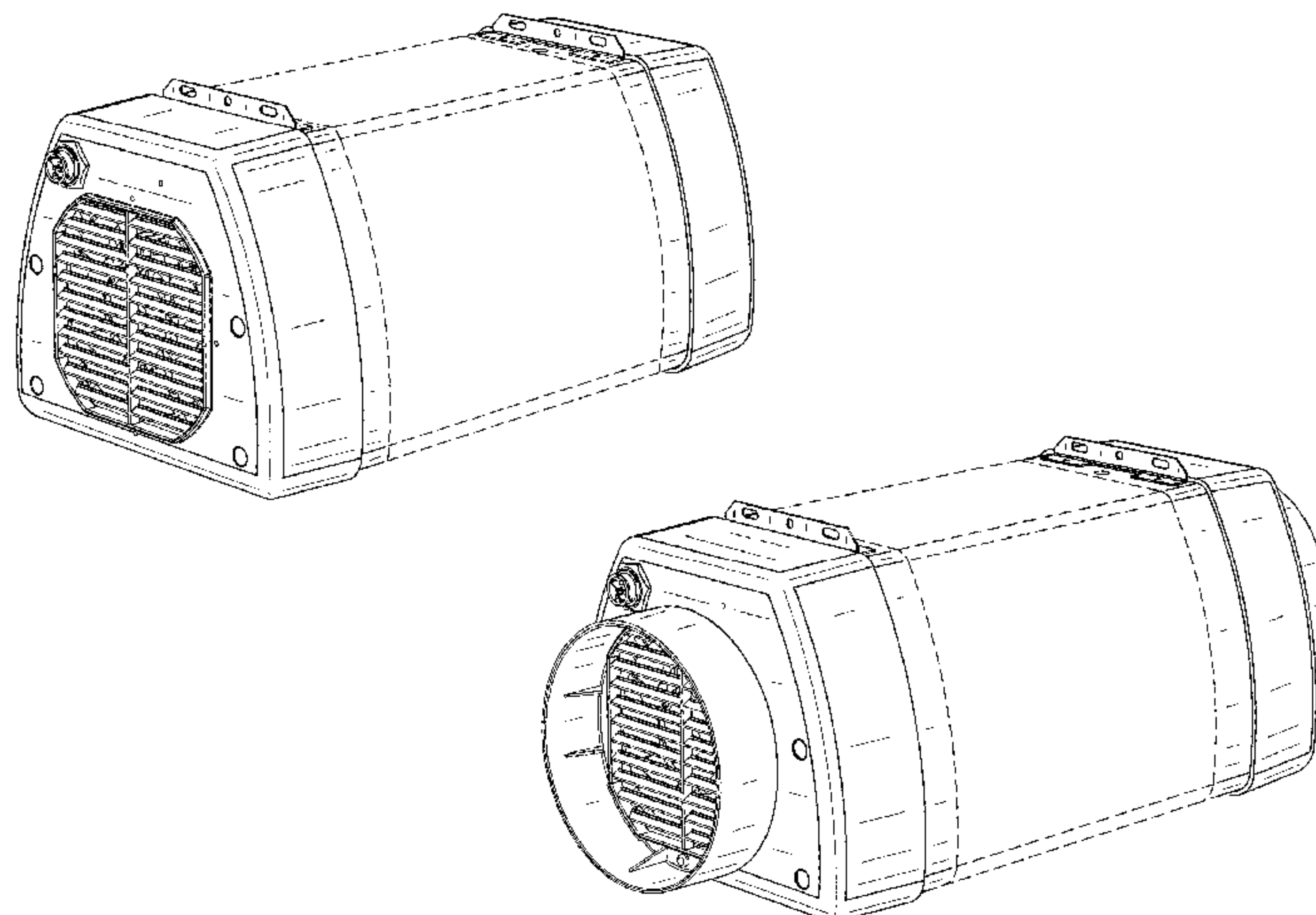
(56) **References Cited**

U.S. PATENT DOCUMENTS

D123,768 S \* 12/1940 Scribner ..... 362/218  
D190,922 S \* 7/1961 Anthony ..... D26/24  
D237,294 S \* 10/1975 Robinson ..... D26/104  
D383,560 S \* 9/1997 Palmer ..... D26/72

(Continued)

**1 Claim, 8 Drawing Sheets**



(56)

References Cited

U.S. PATENT DOCUMENTS

6,527,422 B1 *	3/2003	Hutchison	.....	F21S 48/328	8,888,294 B2 *	11/2014	Kjær	.....	F21S 10/007
				362/290					353/100
D475,157 S *	5/2003	Mier-Langner	.....	D26/118	D725,819 S *	3/2015	Reynolds	.....	D26/118
D544,987 S *	6/2007	Hargreaves	.....	D26/88	D736,450 S *	8/2015	Reynolds	.....	D26/118
D545,484 S *	6/2007	Hargreaves	.....	D26/118	D737,498 S *	8/2015	Stanley	.....	D26/118
D585,587 S *	1/2009	Fan	.....	D26/118	2002/0141195 A1 *	10/2002	Peter	.....	A01G 7/045
D607,915 S *	1/2010	Fong	.....	D16/237					362/362
D637,752 S *	5/2011	Mekhtarian	.....	D26/72	2008/0205030 A1 *	8/2008	Hargreaves	.....	F21V 23/026
8,419,249 B2 *	4/2013	Yatsuda	.....	F21K 9/00					362/1
				165/80.2	2009/0262540 A1 *	10/2009	Hargreaves	.....	A01G 9/26
D689,234 S *	9/2013	Zhang	.....	D26/72					362/362
					2009/0310373 A1 *	12/2009	Burkhauser	.....	A01G 9/26
									362/373

\* cited by examiner

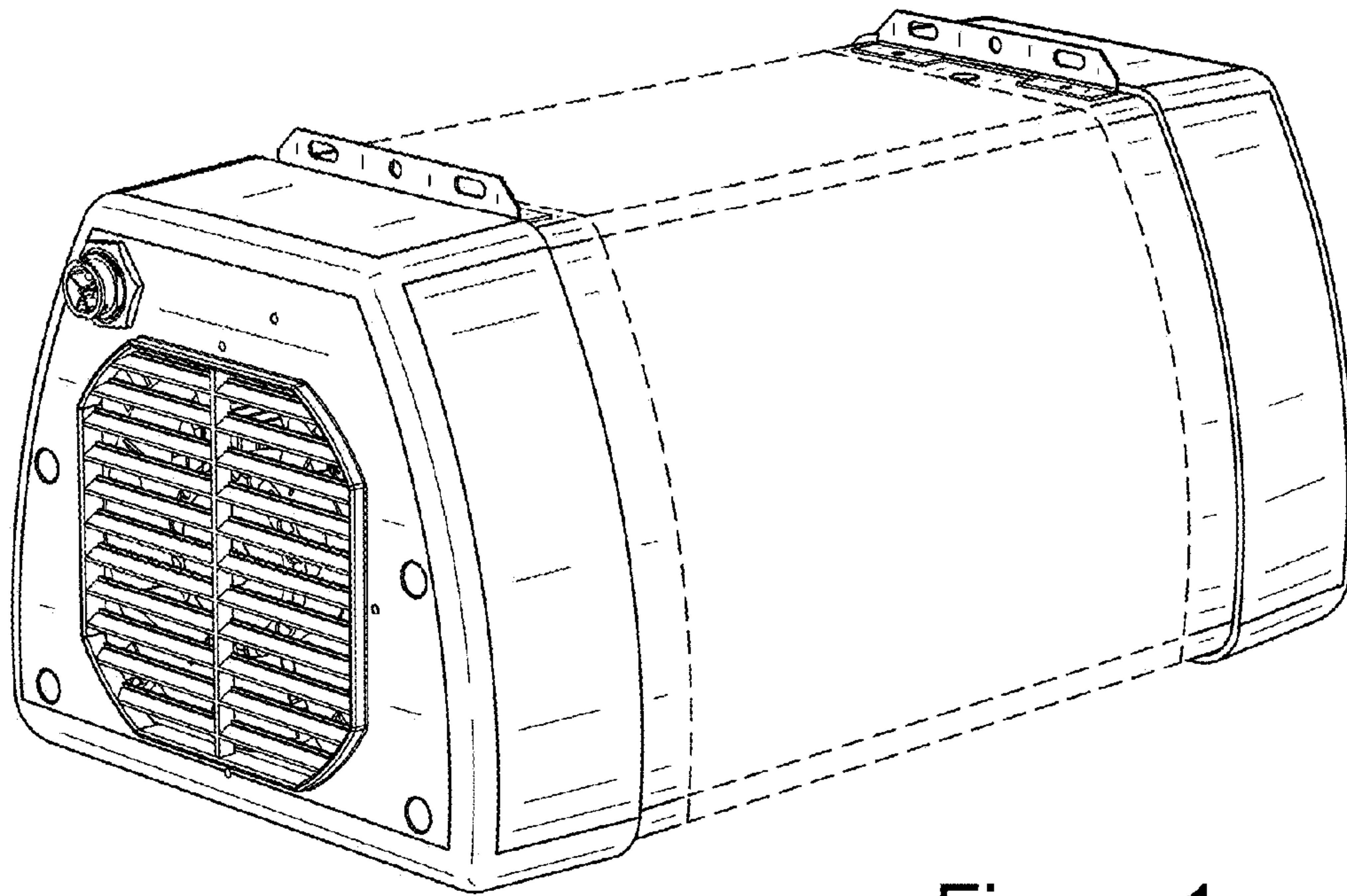


Figure 1

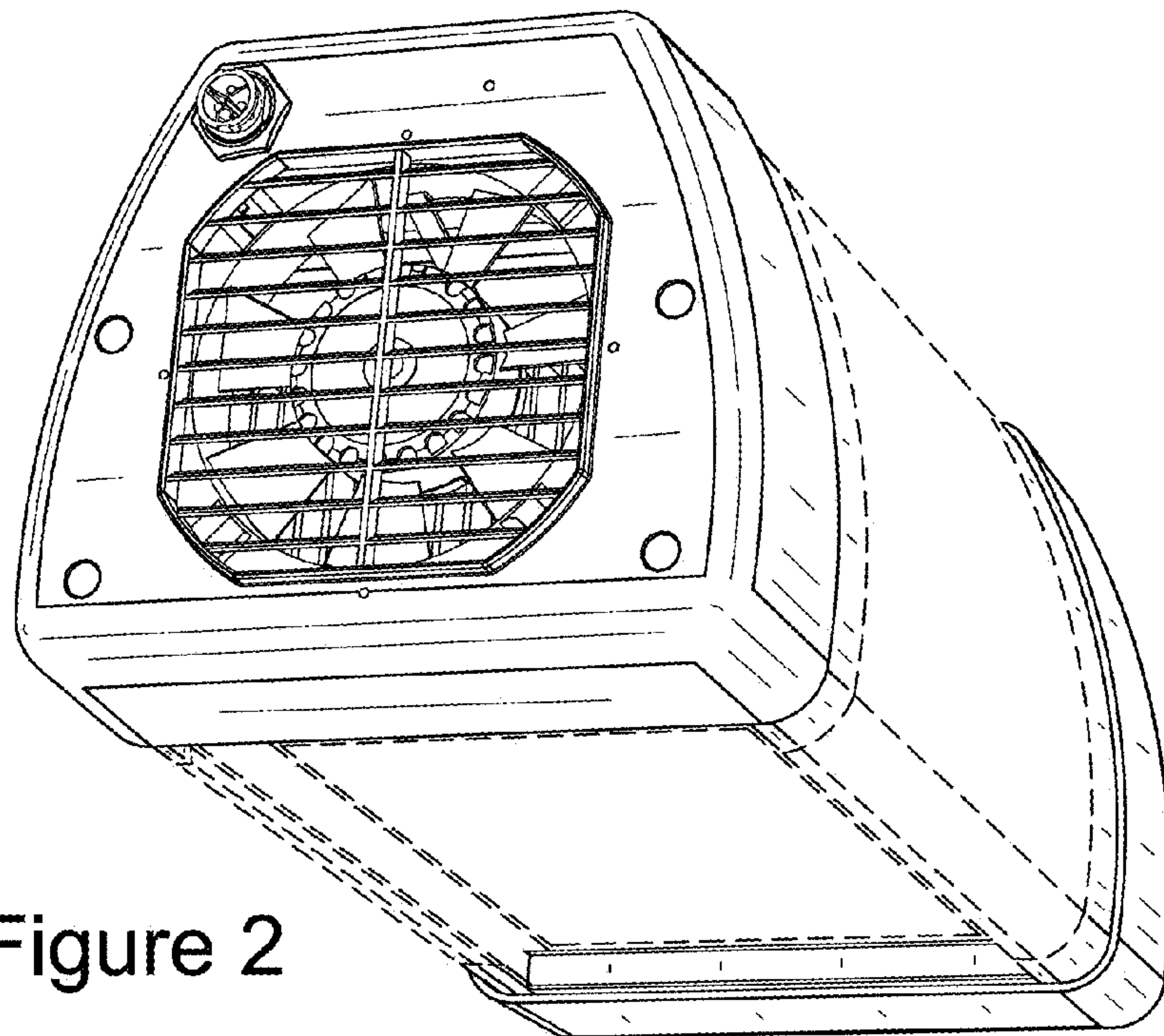


Figure 2



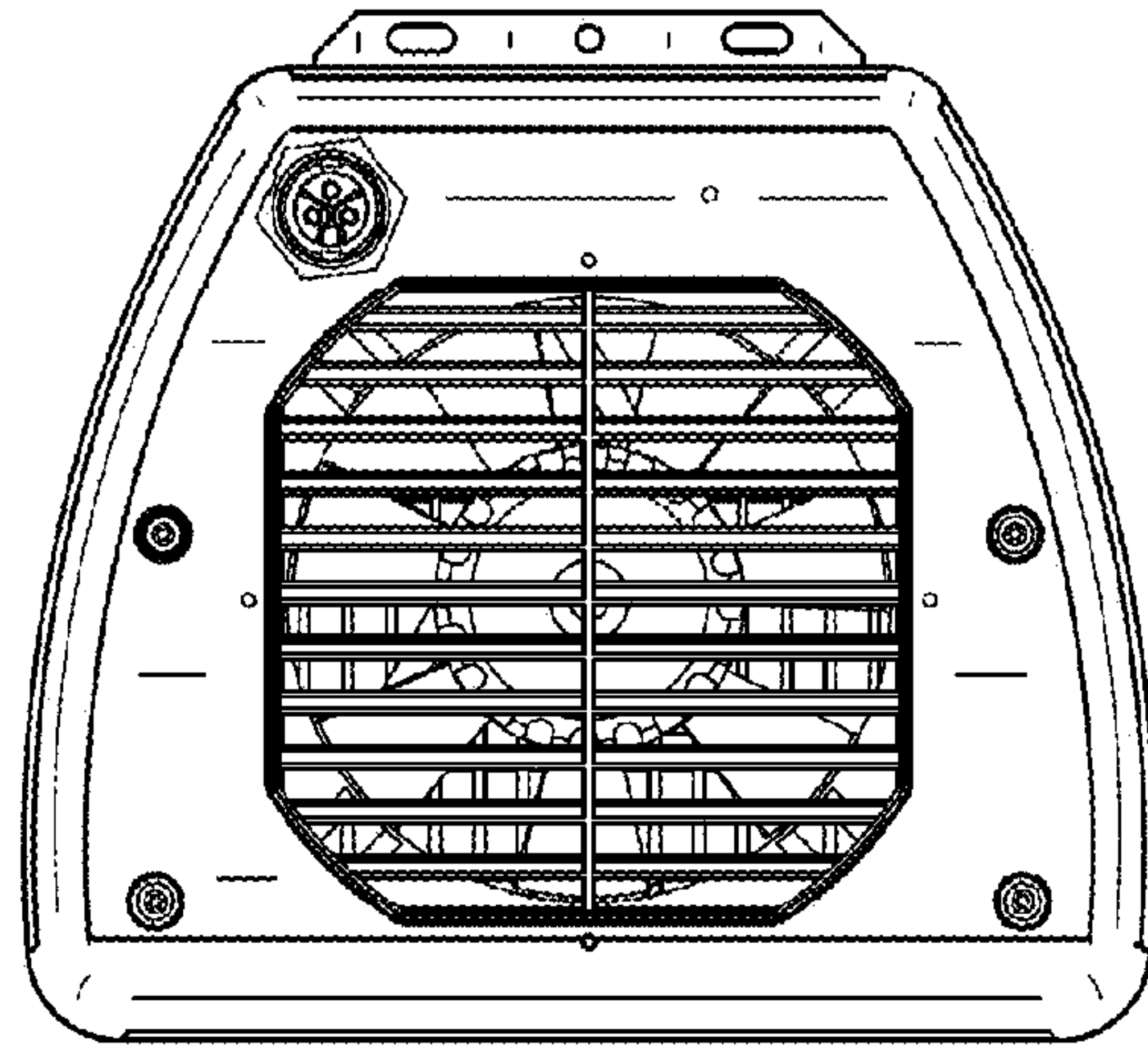


Figure 3

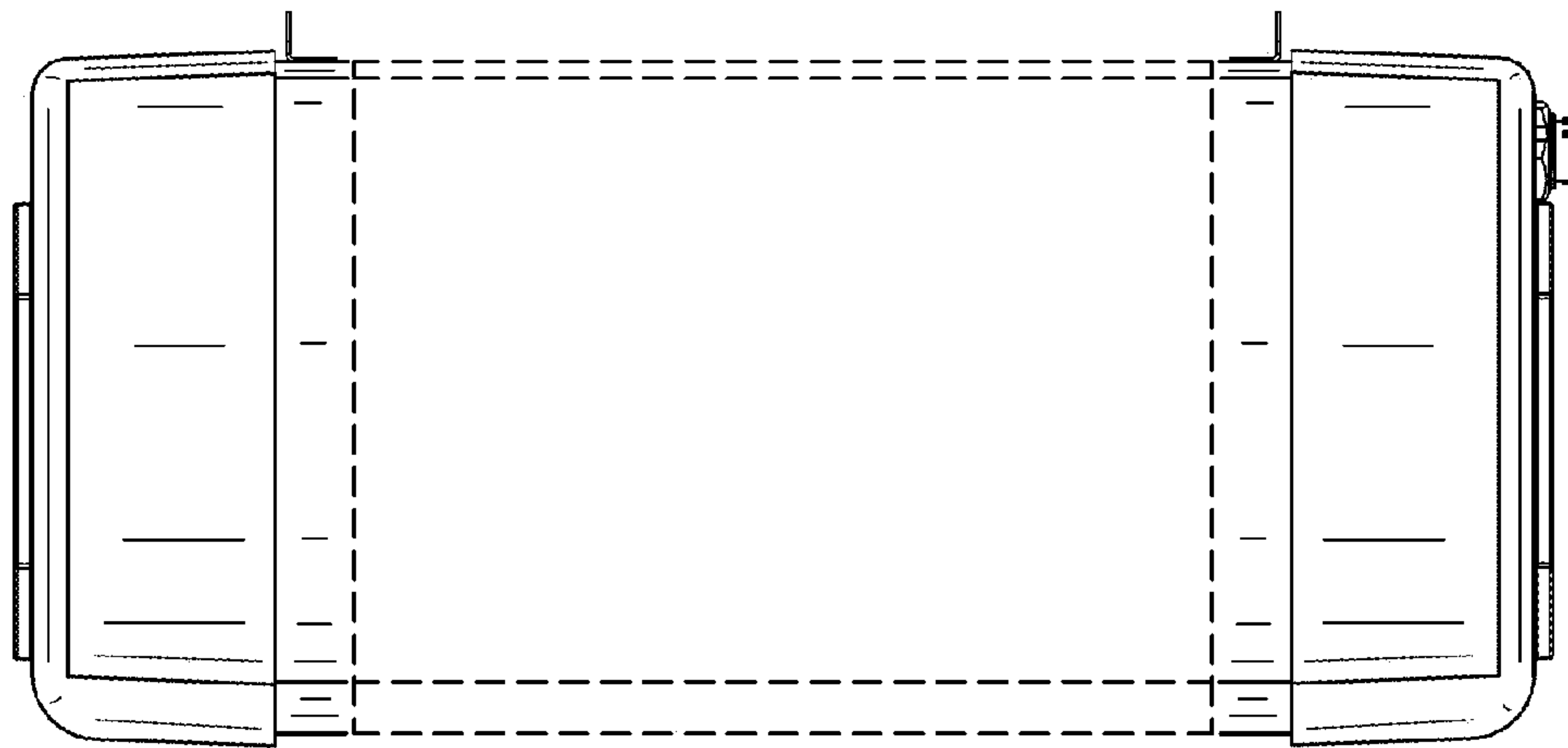


Figure 4

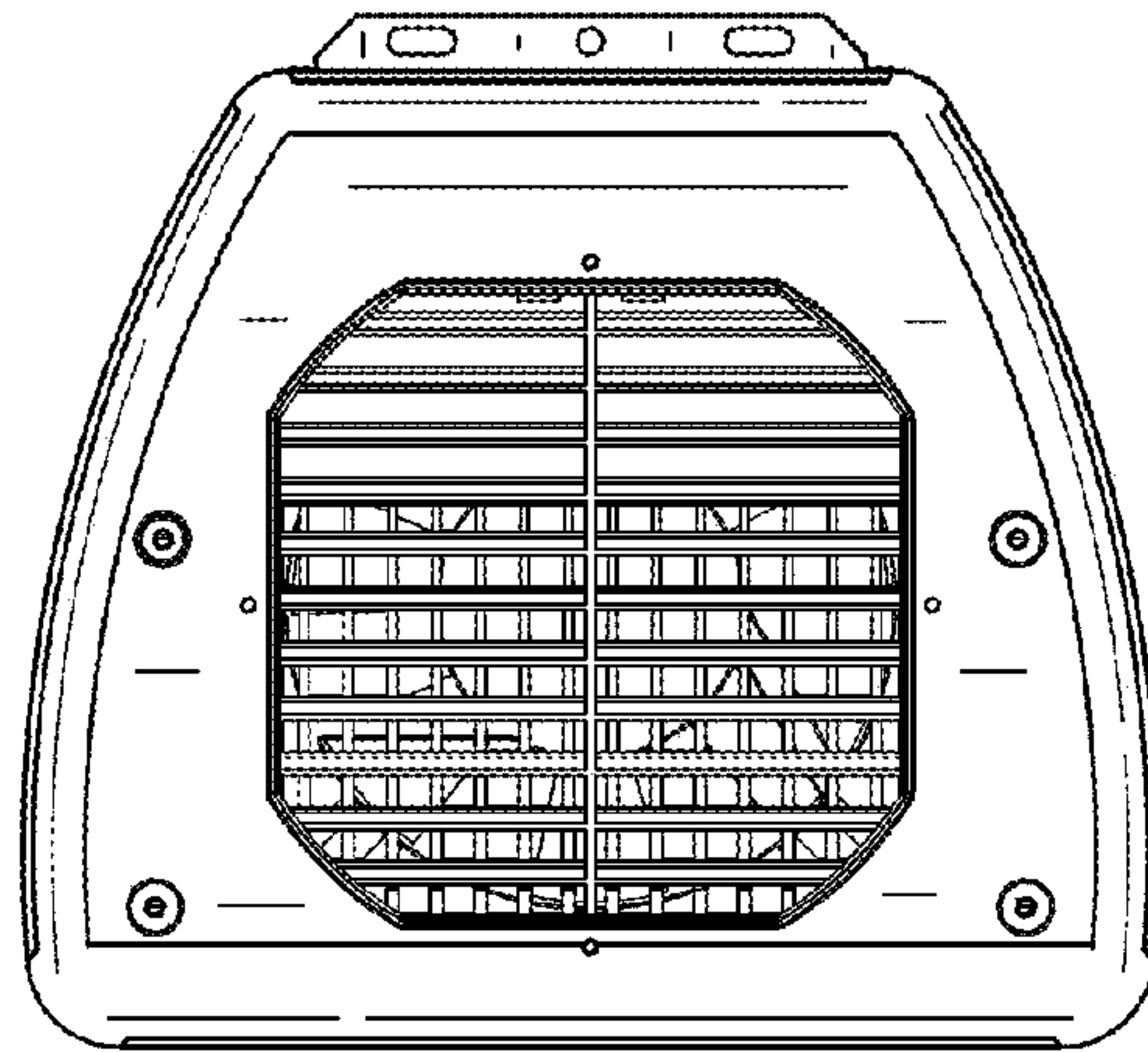


Figure 5

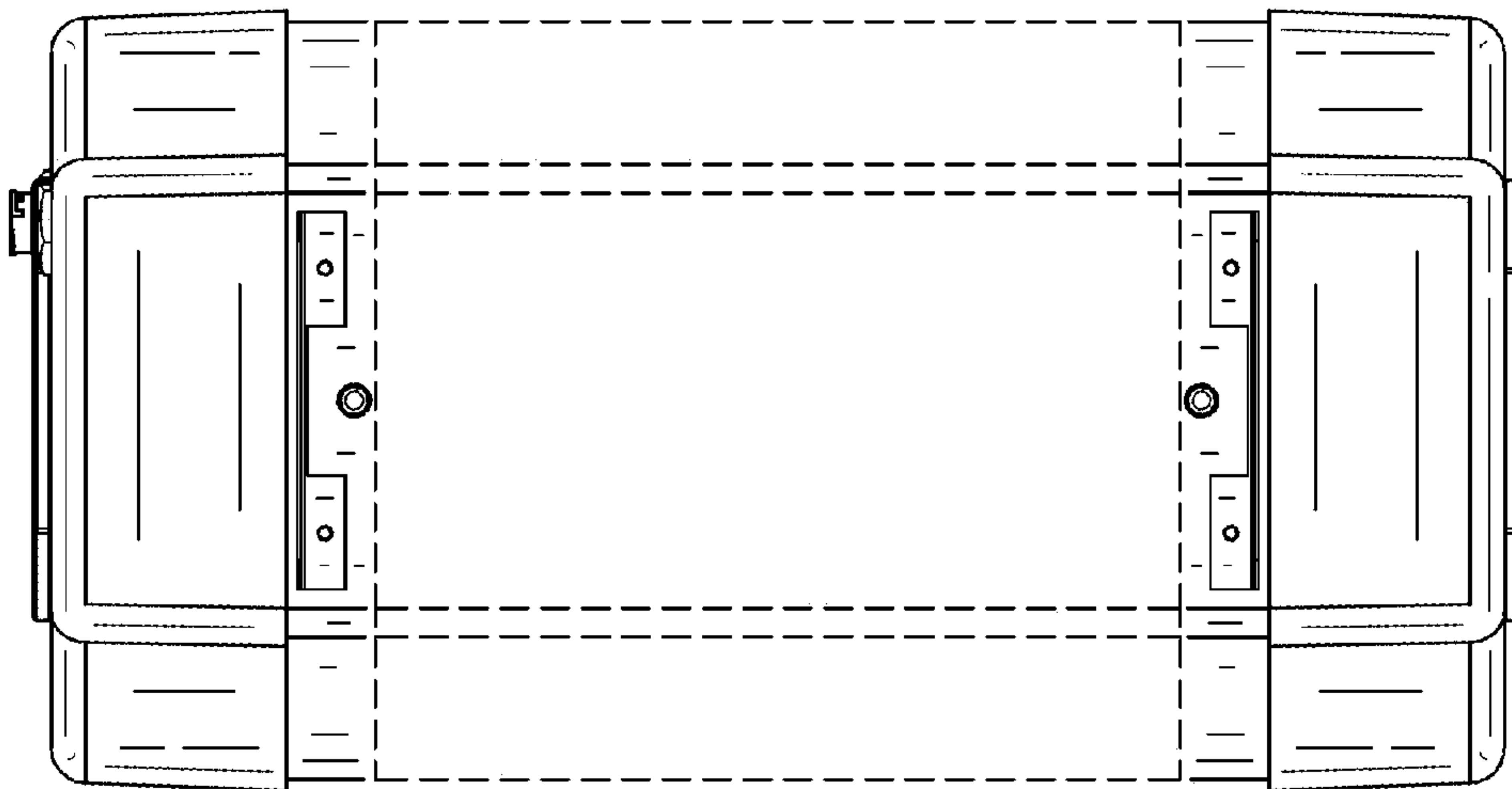


Figure 6



Figure 7

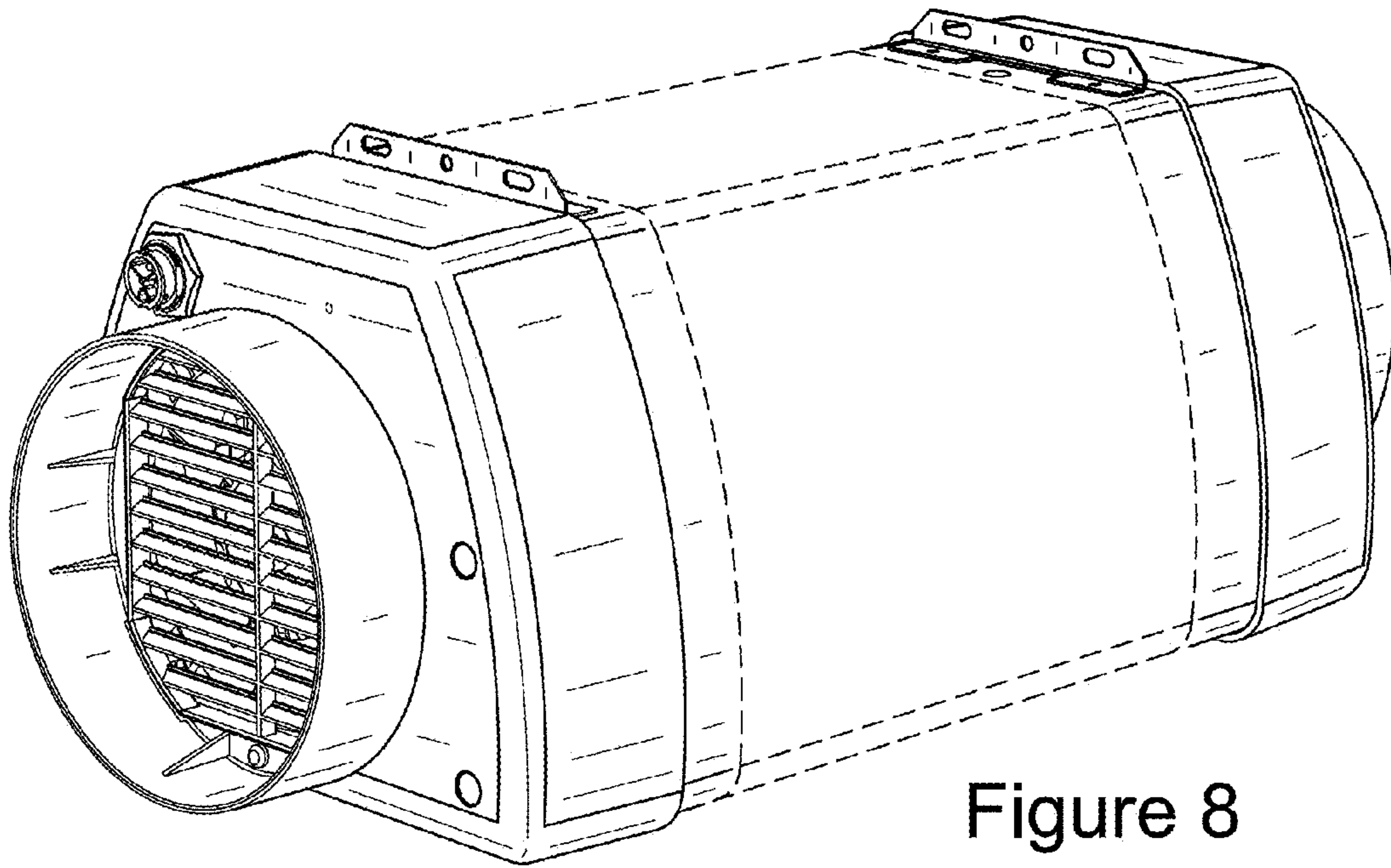


Figure 8

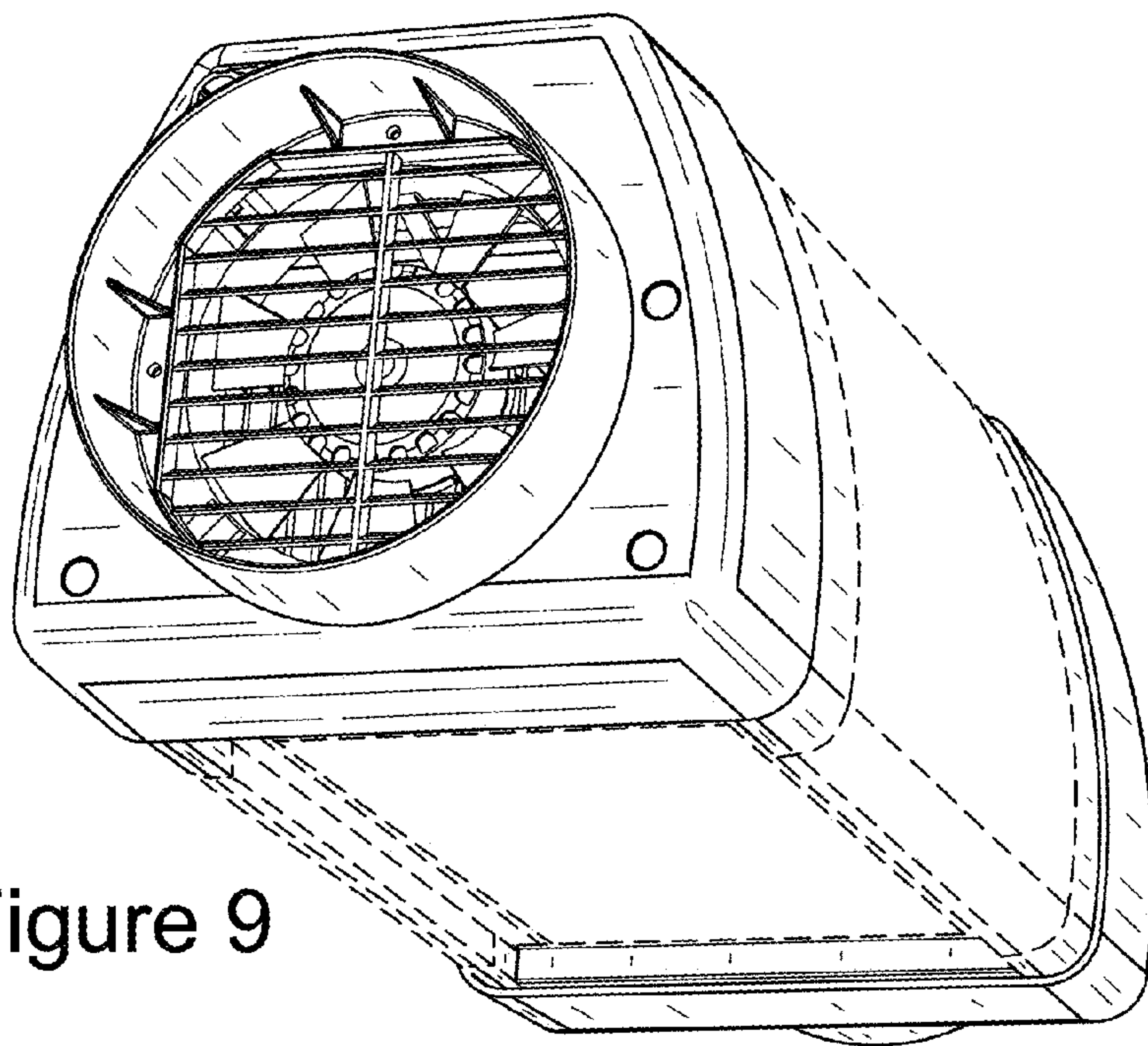


Figure 9

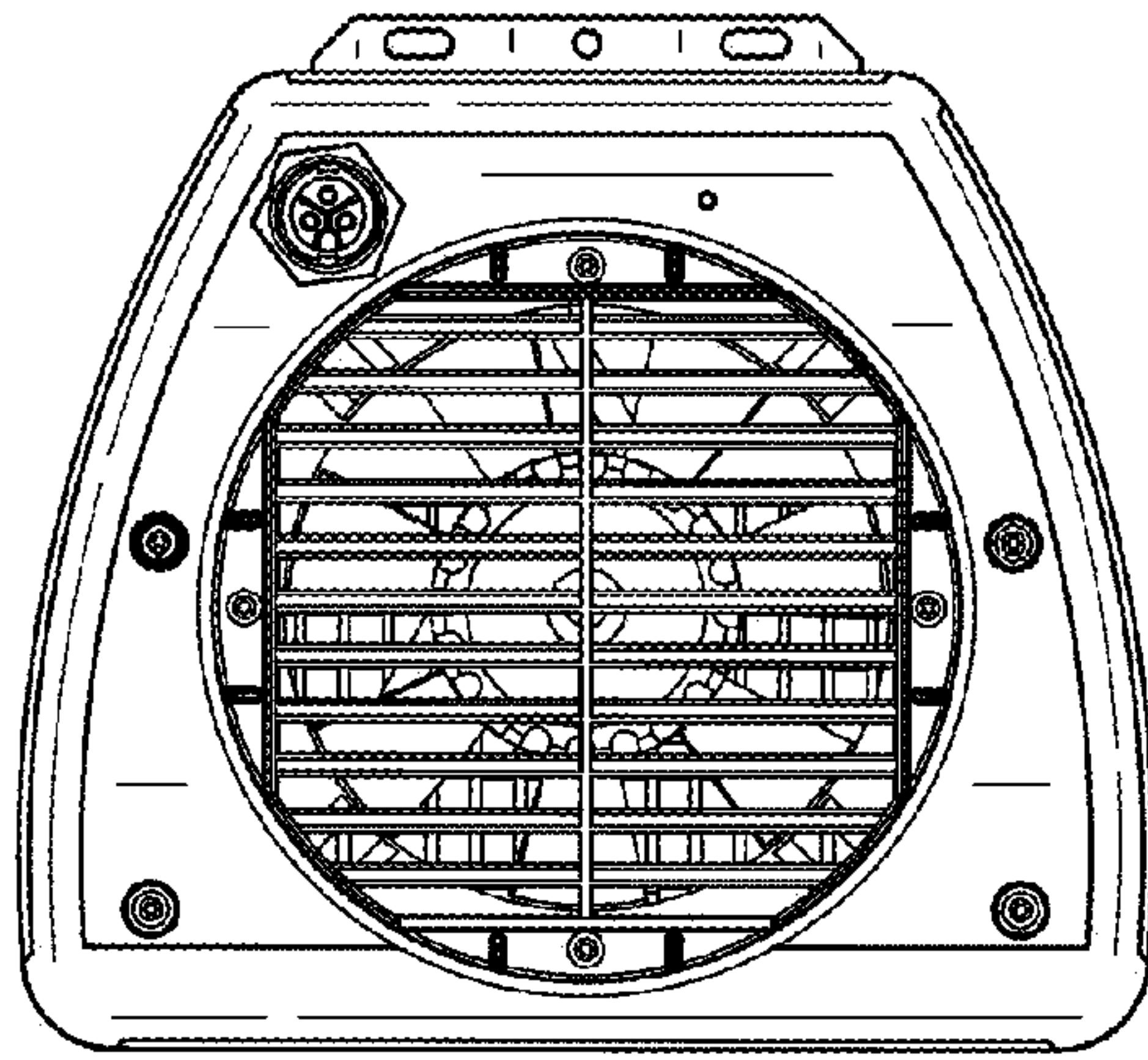


Figure 10

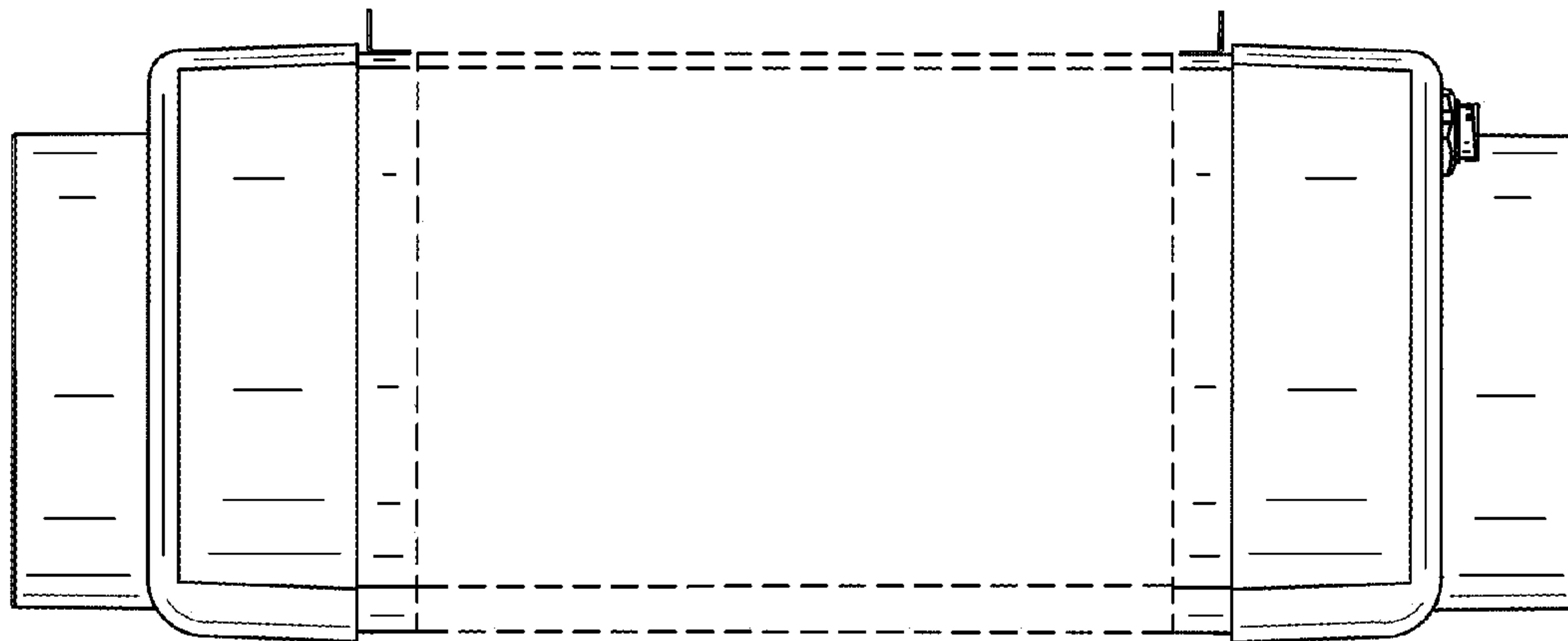


Figure 11



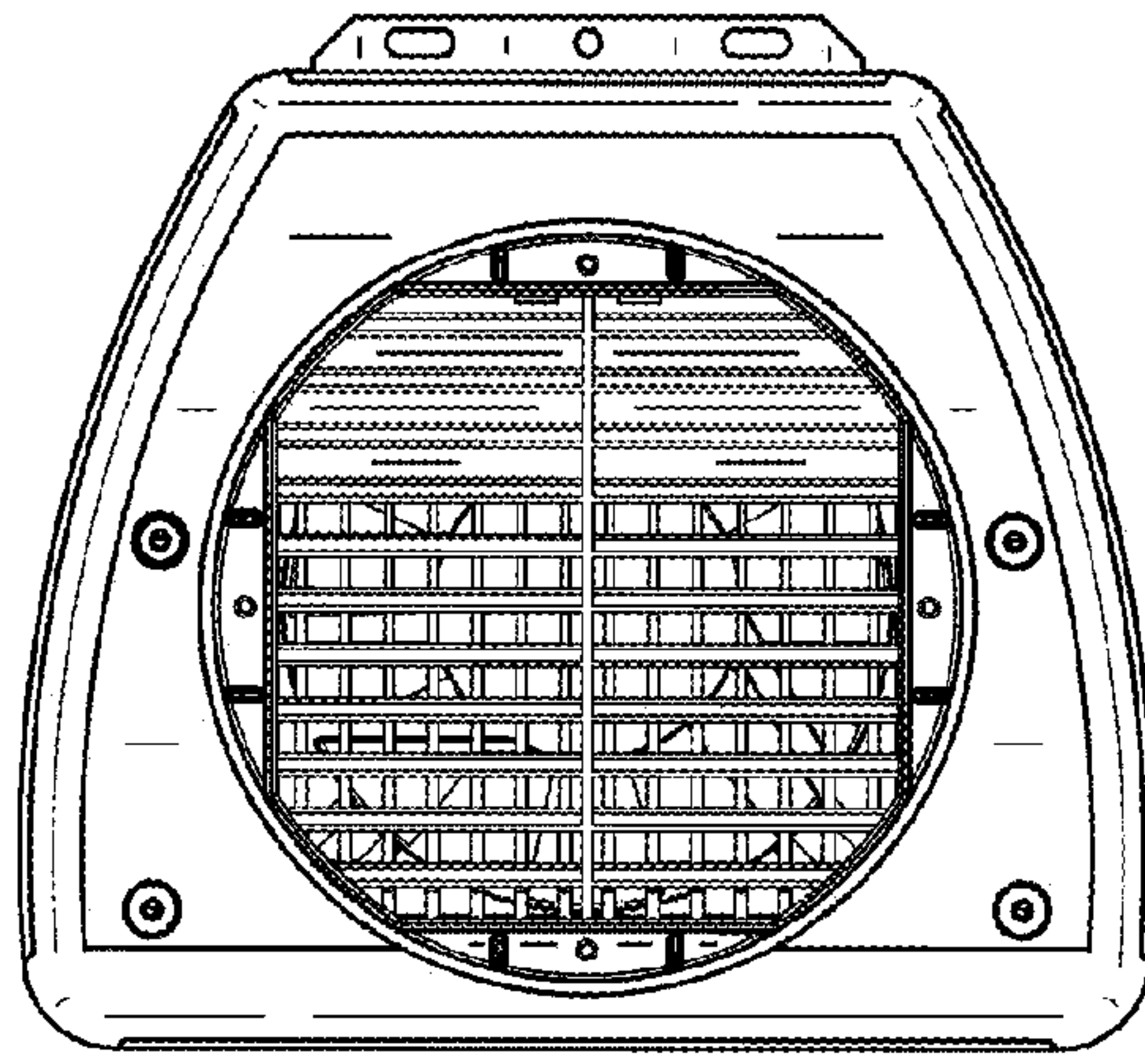


Figure 12

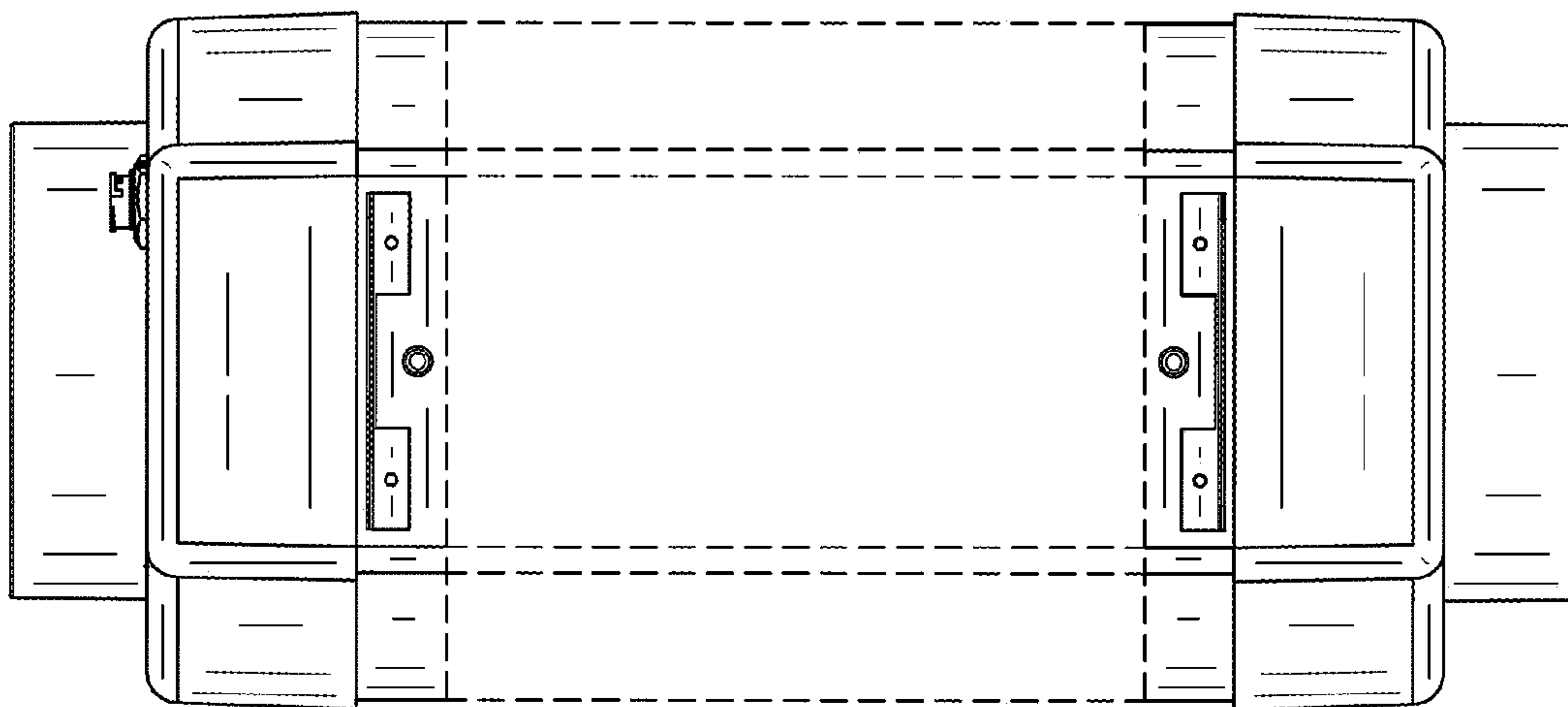


Figure 13



Figure 14