



US00D768900S

(12) **United States Design Patent** (10) **Patent No.:** **US D768,900 S**
Polaczek et al. (45) **Date of Patent:** **** Oct. 11, 2016**

(54) **LAMP FOR PHOTOGRAPHY AND CINEMATOGRAPHY**

(71) Applicant: **SUMOLIGHT GMBH**, Berlin (DE)

(72) Inventors: **Ralf Polaczek**, Berlin (DE); **David Yellin**, Berlin (DE)

(**) Term: **15 Years**

(21) Appl. No.: **35/500,071**

(22) Filed: **Jul. 16, 2015**

(80) **Hague Agreement Data**

Int. Filing Date: **Jul. 16, 2015**

Int. Reg. No.: **DM/086980**

Int. Reg. Date: **Jul. 16, 2015**

Int. Reg. Pub. Date: **Jul. 31, 2015**

(51) **LOC (10) Cl.** **24-01**

(52) **U.S. Cl.**
USPC **D26/63**

(58) **Field of Classification Search**
USPC D26/24, 62, 63, 65, 93, 106, 107, 108,
D26/110, 112
CPC F21V 21/14; F21V 15/01; F21V 14/02;
F21V 21/30; F21V 14/00; F21S 8/00; F21Y
2105/001

See application file for complete search history.

(56) **References Cited**

U.S. PATENT DOCUMENTS

3,911,265 A * 10/1975 Landrum F21V 19/009
362/296.01
D243,760 S * 3/1977 Devinney, Jr. D26/63
D329,917 S * 9/1992 Galerne D26/63
D693,509 S * 11/2013 Hosick D26/63
D739,072 S * 9/2015 Adams D26/118

* cited by examiner

Primary Examiner — Zenia Bennett

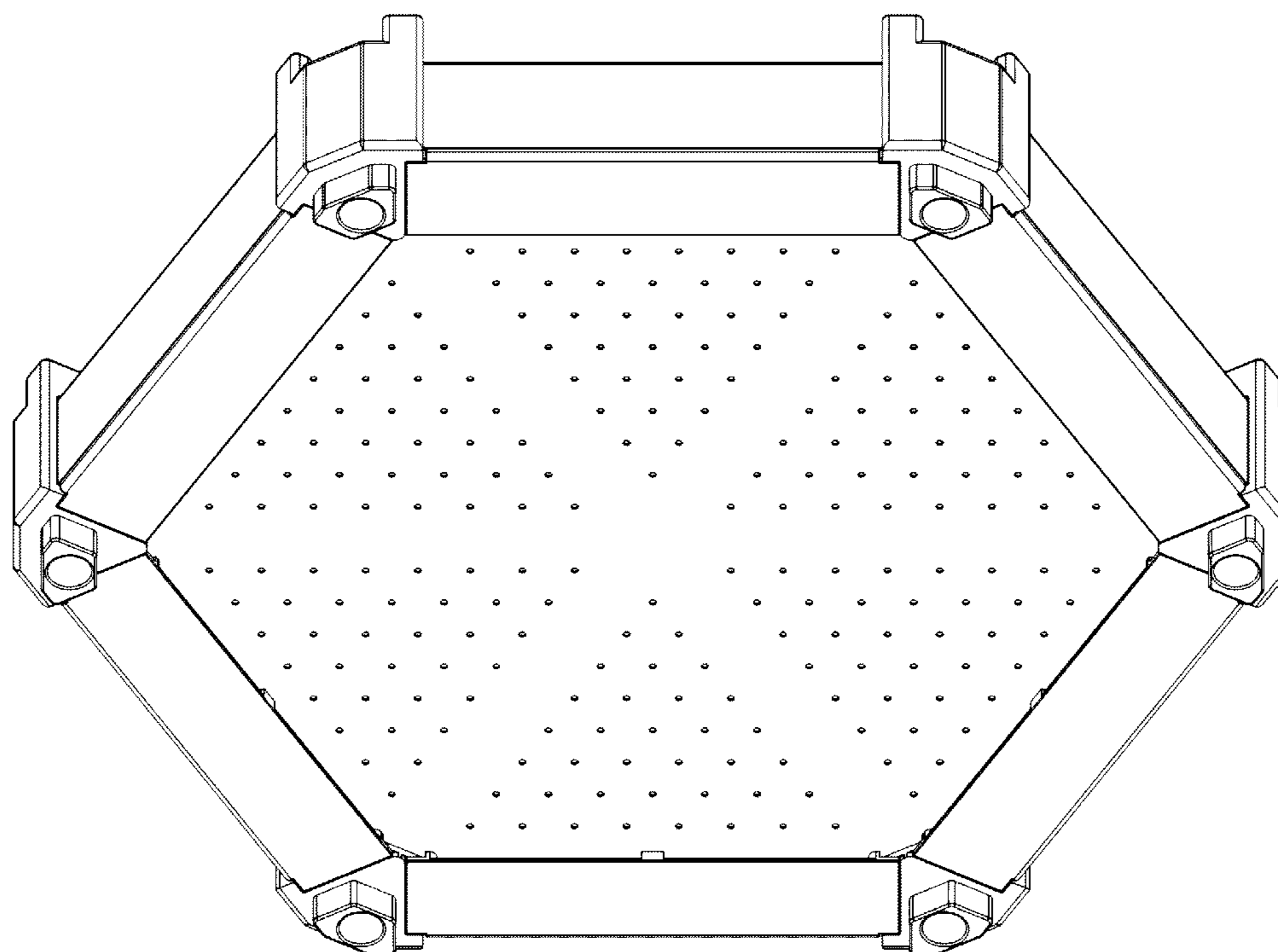
(57) **CLAIM**

The ornamental design for a lamp for photography and cinematography, as shown and described.

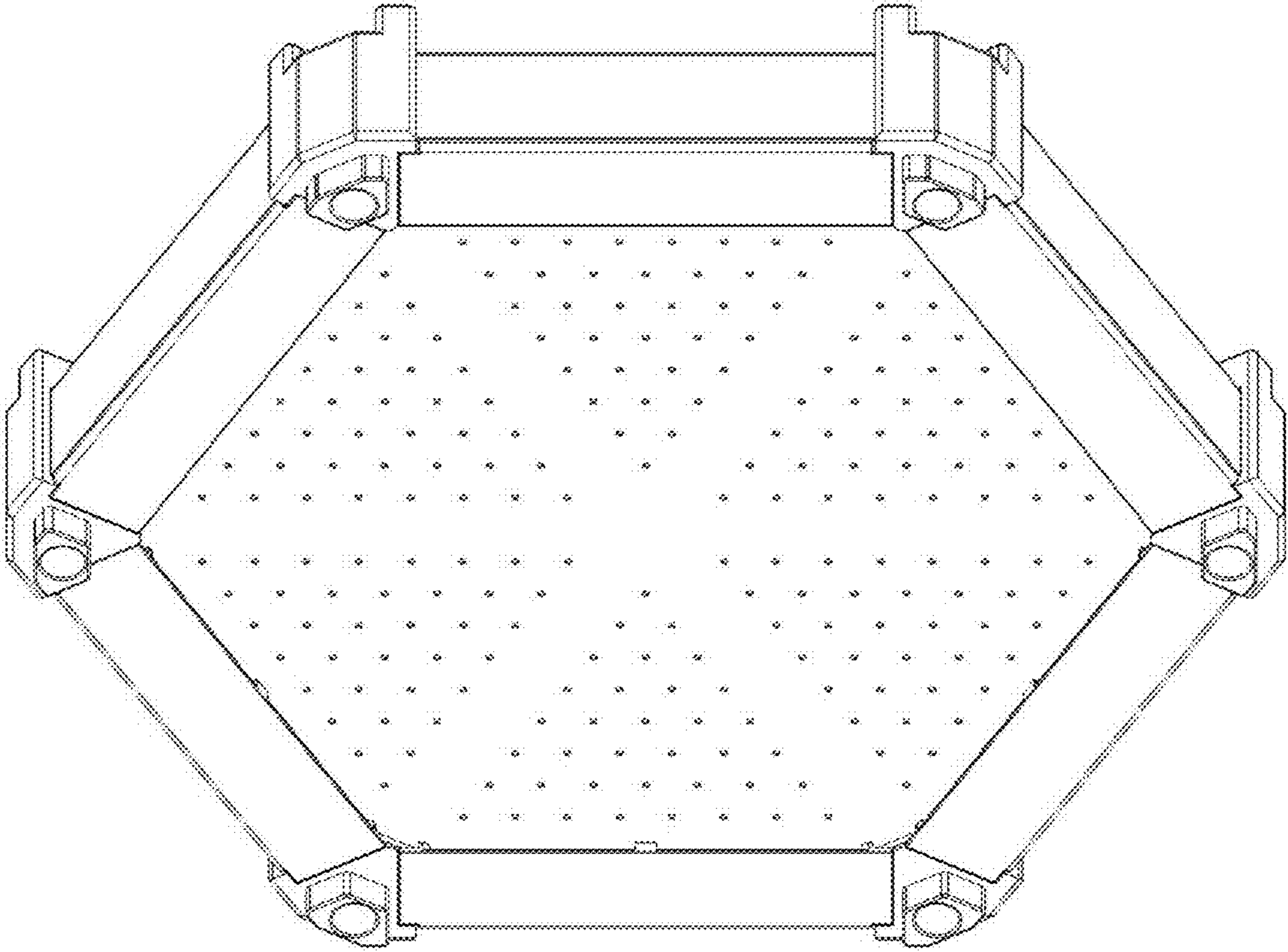
DESCRIPTION

- 1. Lamp for photography and cinematography
- 1.1 : Perspective
- 1.2 : Front
- 1.3 : Back
- 1.4 : Top
- 1.5 : Bottom
- 1.6 : Left
- 1.7 : Right
- 1.8 : Perspective

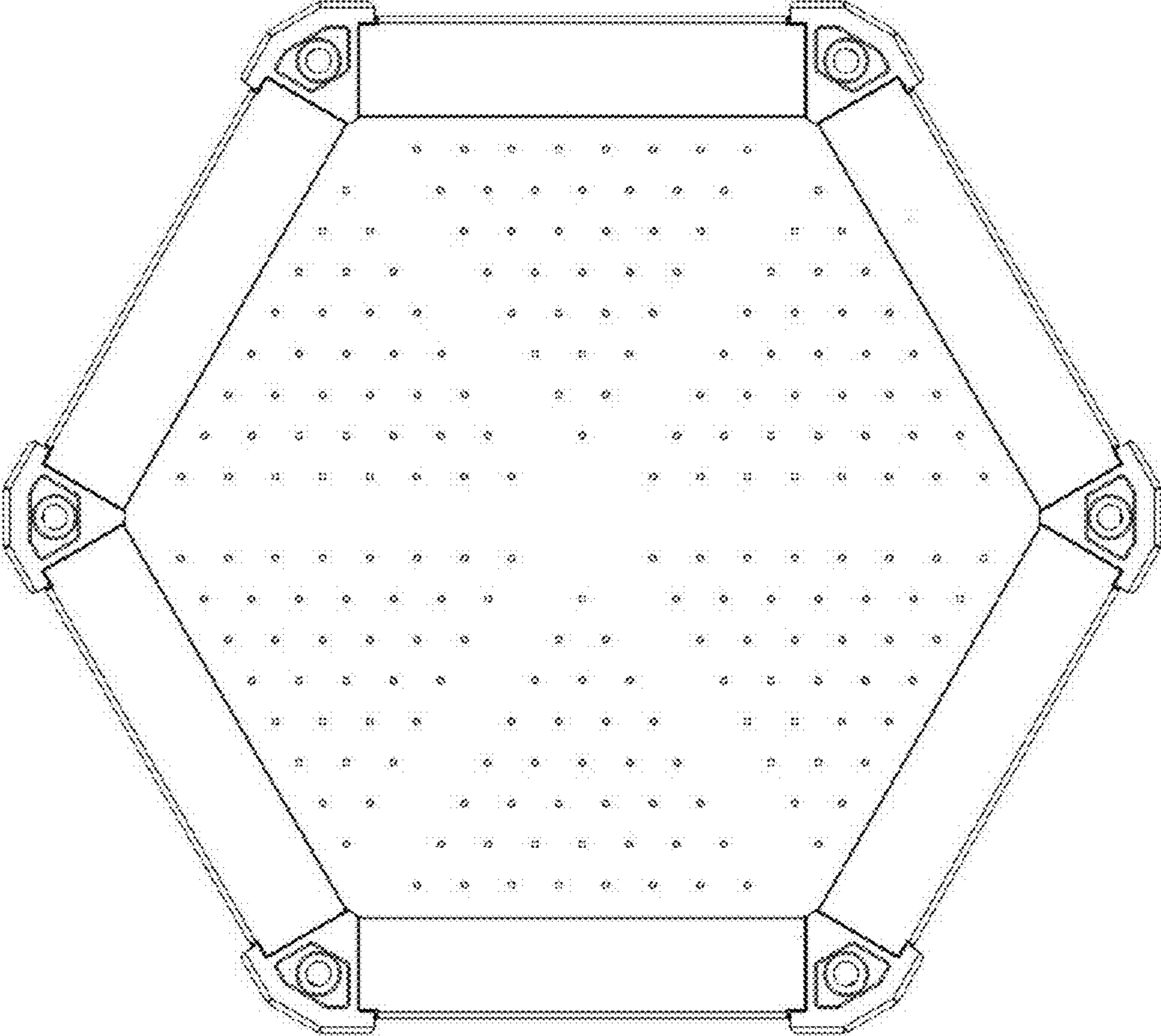
1 Claim, 8 Drawing Sheets



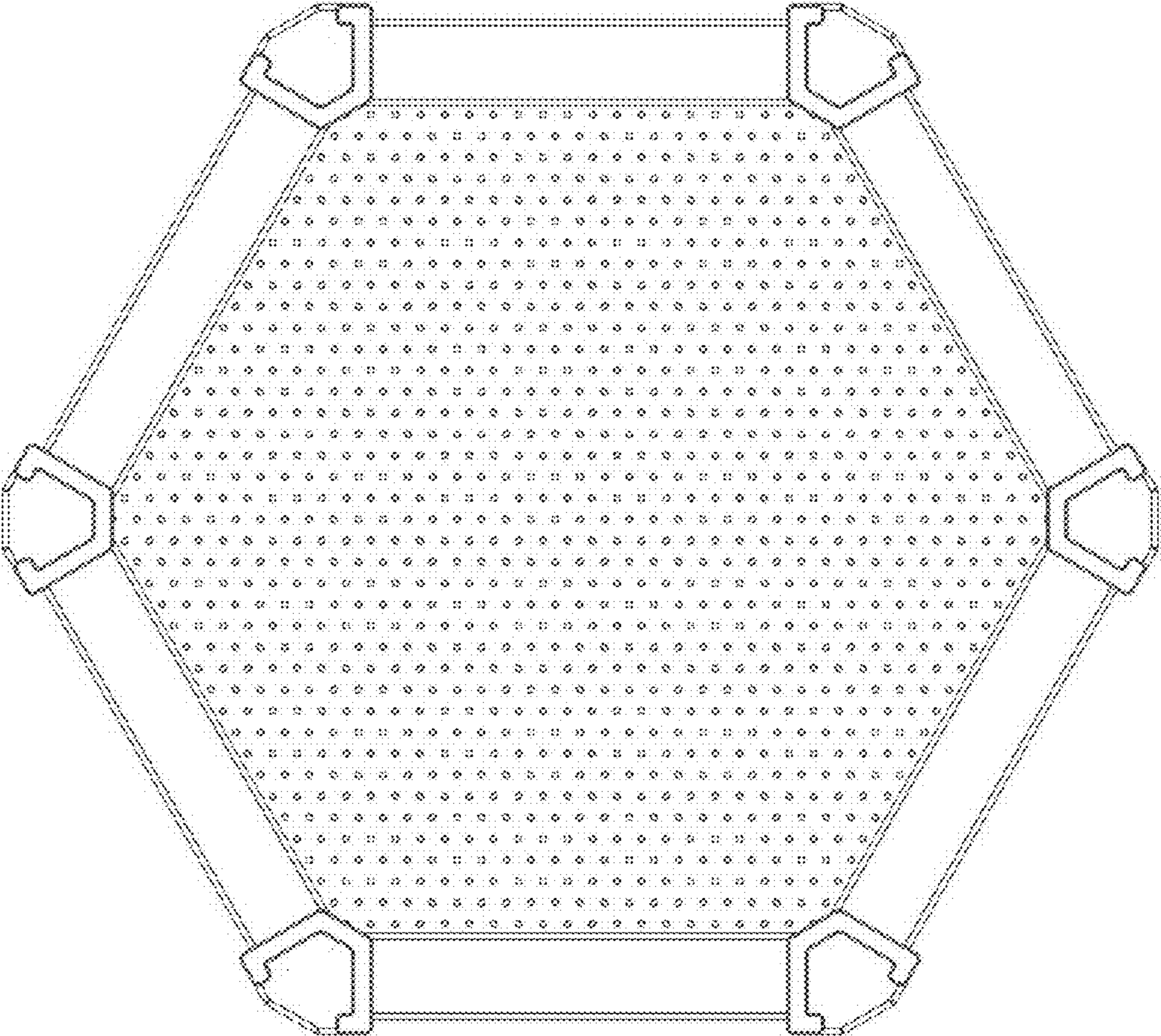
1.1



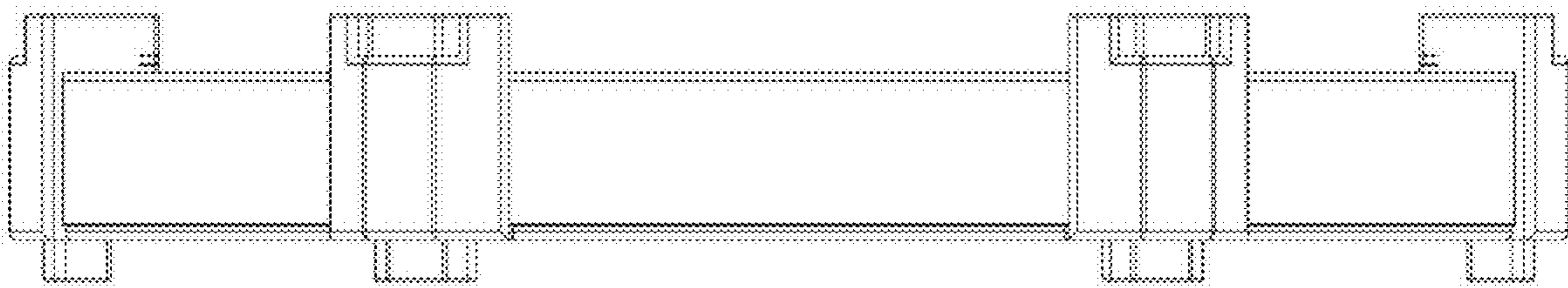
1.2



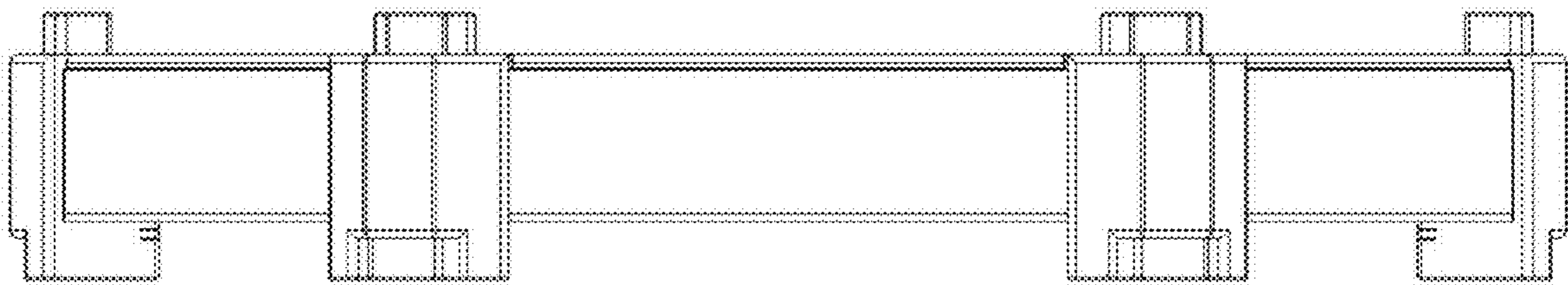
1.3



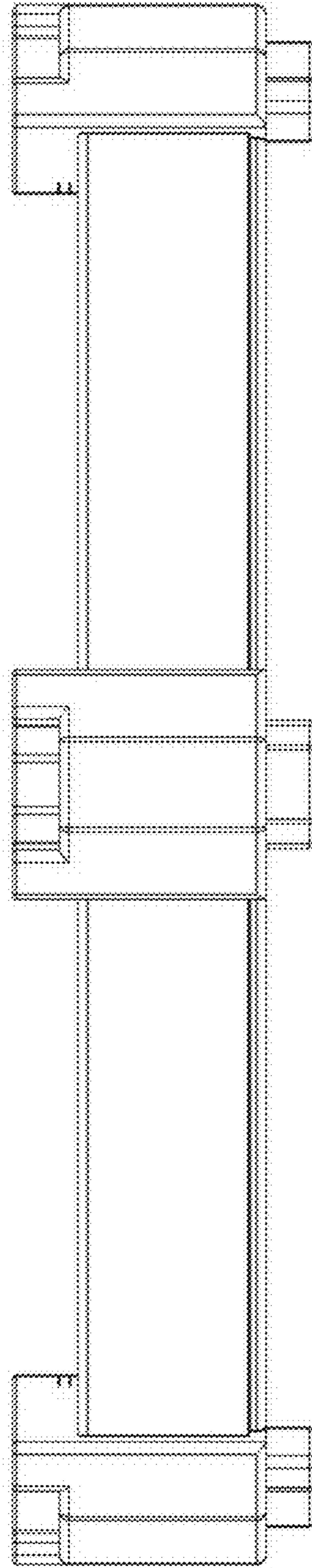
1.4



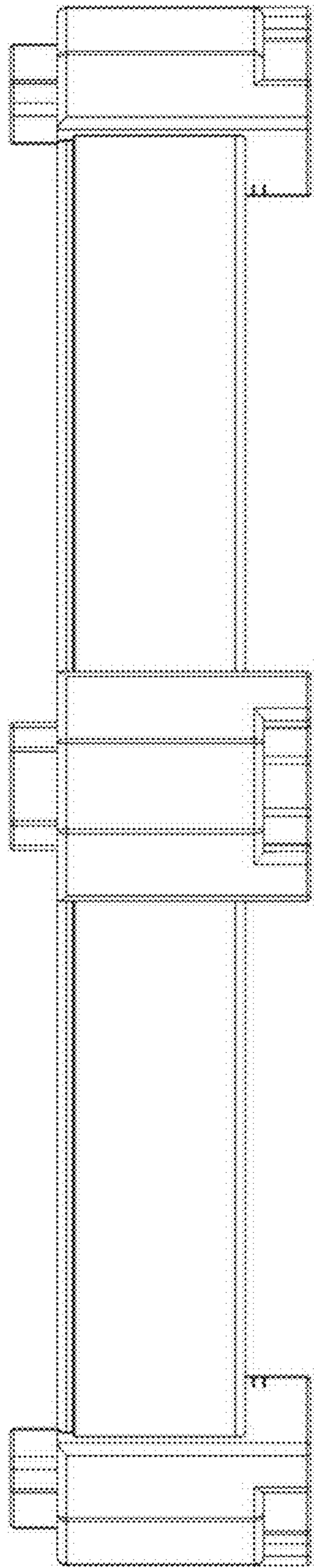
1.5



1.6



1.7



1.8

