



US00D768899S

(12) **United States Design Patent** (10) **Patent No.:** **US D768,899 S**
Gebhard et al. (45) **Date of Patent:** **** Oct. 11, 2016**

- (54) **SEARCHLIGHT**
- (71) Applicant: **Golight, Inc.**, Culbertson, NE (US)
- (72) Inventors: **Albert W. Gebhard**, Denver, CO (US);
Colton D. Hosick, Culbertson, NE (US)
- (73) Assignee: **Golight, Inc.**, Culbertson, NE (US)
- (**) Term: **15 Years**
- (21) Appl. No.: **29/542,914**
- (22) Filed: **Oct. 19, 2015**

5,673,989 A	10/1997	Gohl et al.
6,079,852 A	6/2000	Kamaya et al.
D515,228 S	2/2006	Gebhard et al.
D528,678 S	9/2006	Yen
D566,318 S	4/2008	Quiogue et al.
D573,286 S	7/2008	Zettl
D582,084 S	12/2008	Gebhard et al.
D629,550 S *	12/2010	Sandell D26/63
D646,822 S *	10/2011	Johannessen et al. D26/63
D666,346 S *	8/2012	Gebhard et al. D26/63
D693,509 S *	11/2013	Hosick et al. D26/63
D703,851 S *	4/2014	Gebhard et al. D26/63
D732,219 S *	6/2015	Adams D26/63
D734,521 S *	7/2015	Gebhard et al. D26/63
D734,887 S *	7/2015	Gebhard et al. D26/63
D745,990 S	12/2015	Gebhard et al.

* cited by examiner

Related U.S. Application Data

- (62) Division of application No. 29/490,785, filed on May 13, 2014, now Pat. No. Des. 745,990.
- (51) **LOC (10) Cl.** **26-03**
- (52) **U.S. Cl.**
USPC **D26/63**
- (58) **Field of Classification Search**
USPC D26/1, 24, 61, 63, 65, 85, 92
CPC F21V 21/14; F21V 15/01; F21V 14/02;
F21V 21/30; F21V 21/00; F21V 14/00;
F21S 8/00; F21S 8/003; F21S 8/043; F21Y
2105/001
See application file for complete search history.

Primary Examiner — Brian N Vinson
(74) *Attorney, Agent, or Firm* — Polson Intellectual Property Law, PC; Margaret Polson

(57) **CLAIM**

The ornamental design of a searchlight, as shown and described.

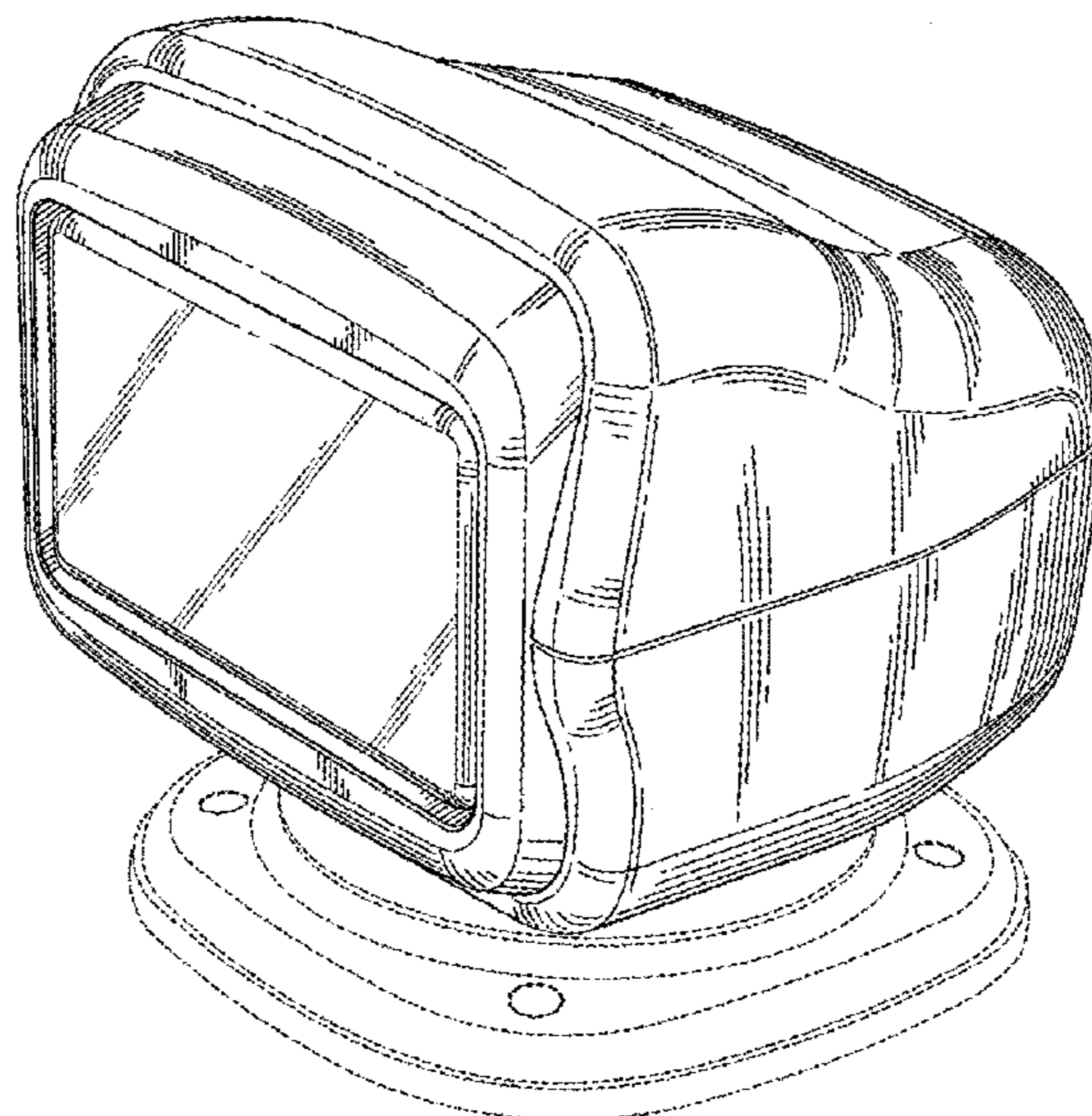
DESCRIPTION

FIG. 1 is a front perspective view of our new design for a searchlight.
FIG. 2 is a front elevation view of in FIG. 1.
FIG. 3 is a back elevation view of FIG. 1.
FIG. 4 is a side elevation view, which are mirror images thereof, of the right and left sides of FIG. 1.
FIG. 5 is a top plan view of FIG. 1; and,
FIG. 6 is a bottom plan view of FIG. 1.
The features shown in broken lines in the drawing depict environmental subject matter only and form no part of the claimed design or an unclaimed border which defines the bounds of the claimed design.

(56) **References Cited**
U.S. PATENT DOCUMENTS

D239,315 S	3/1976	Satoh et al.
D320,462 S	10/1991	Williams et al.
D322,136 S	12/1991	Shima et al.
D327,953 S	7/1992	Jordan
D347,704 S	6/1994	Thompson et al.
D351,243 S	10/1994	Williams et al.
5,490,046 A	2/1996	Gohl et al.

1 Claim, 6 Drawing Sheets



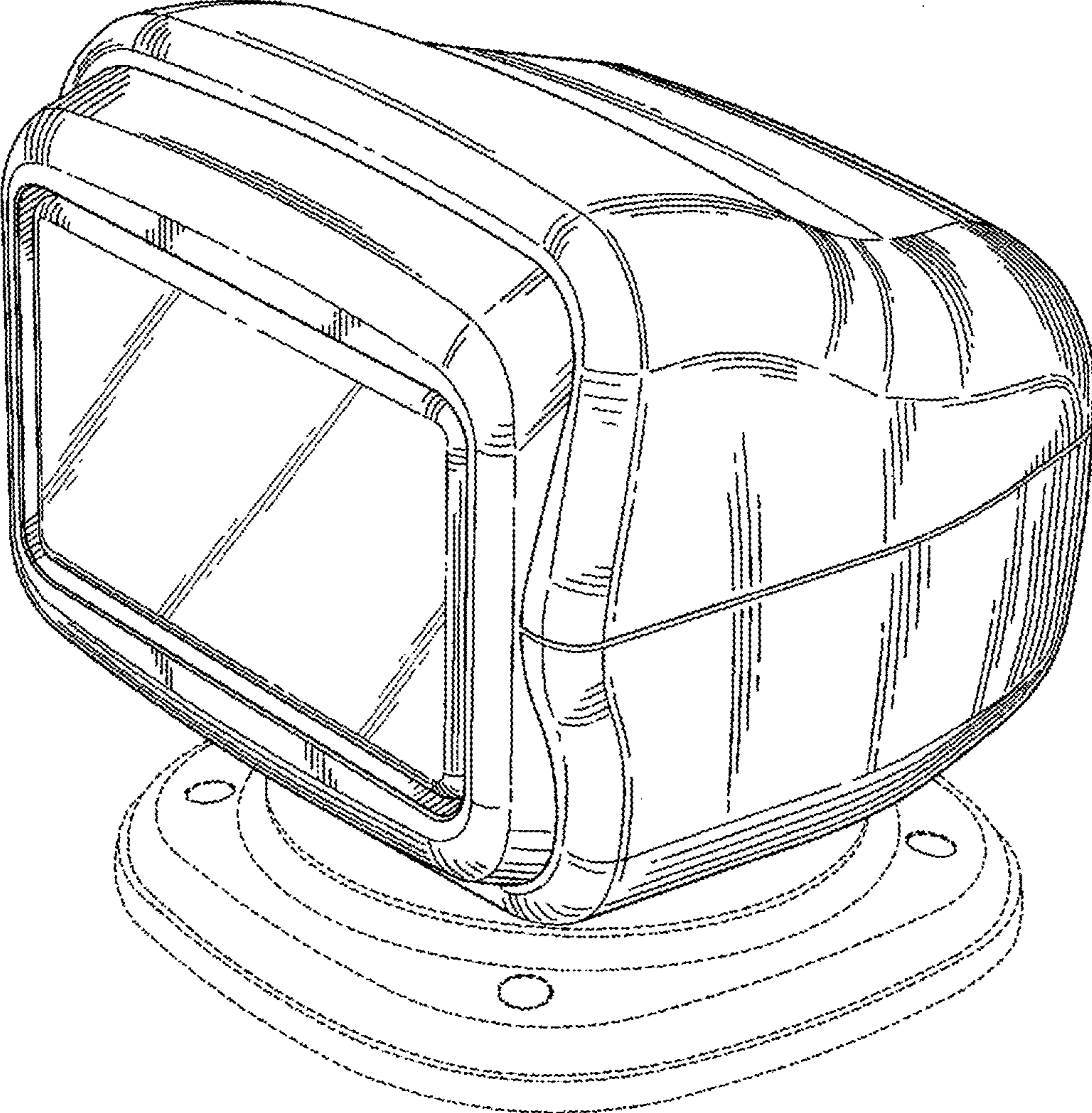


FIG.1

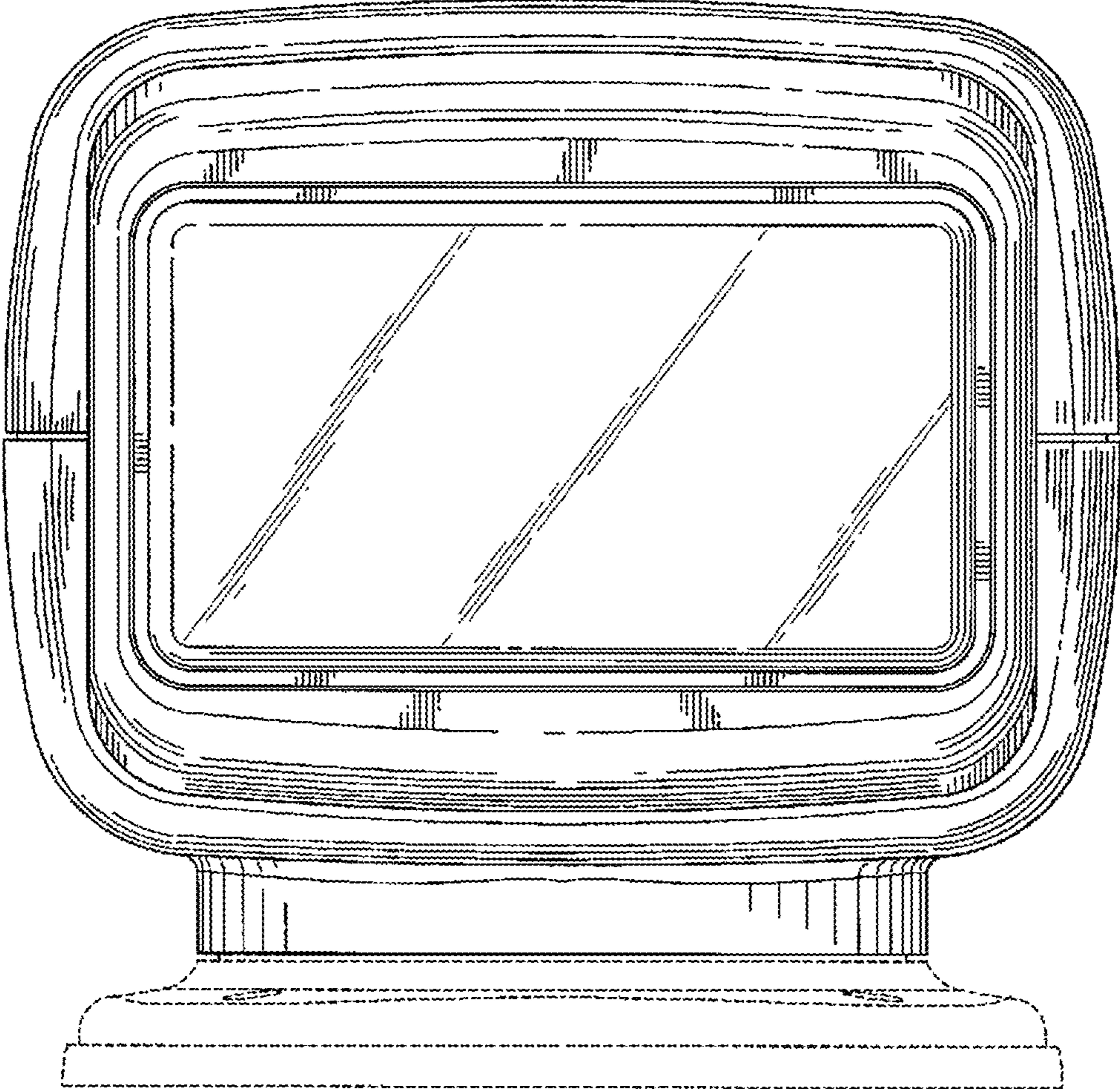


FIG.2

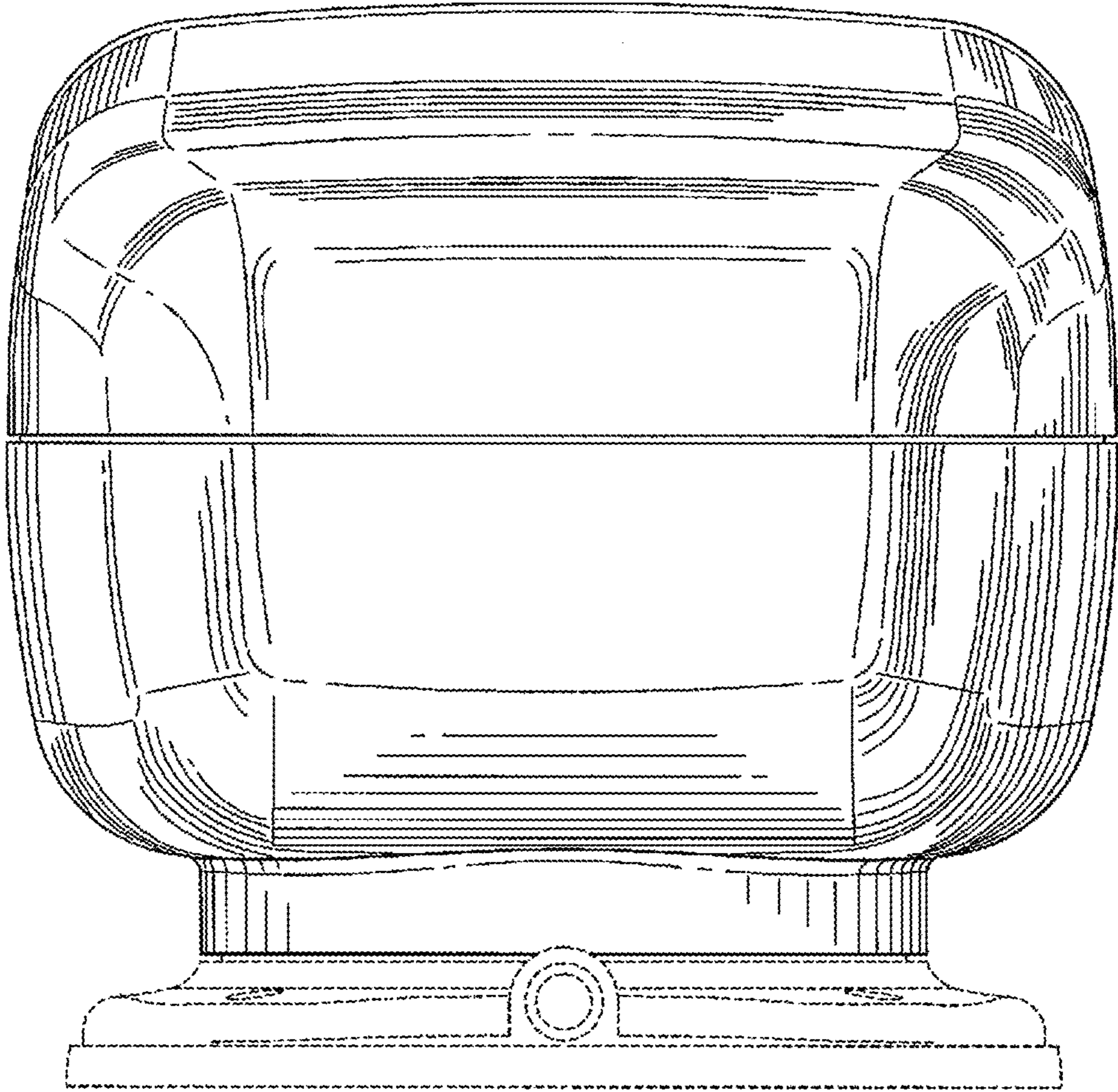


FIG.3

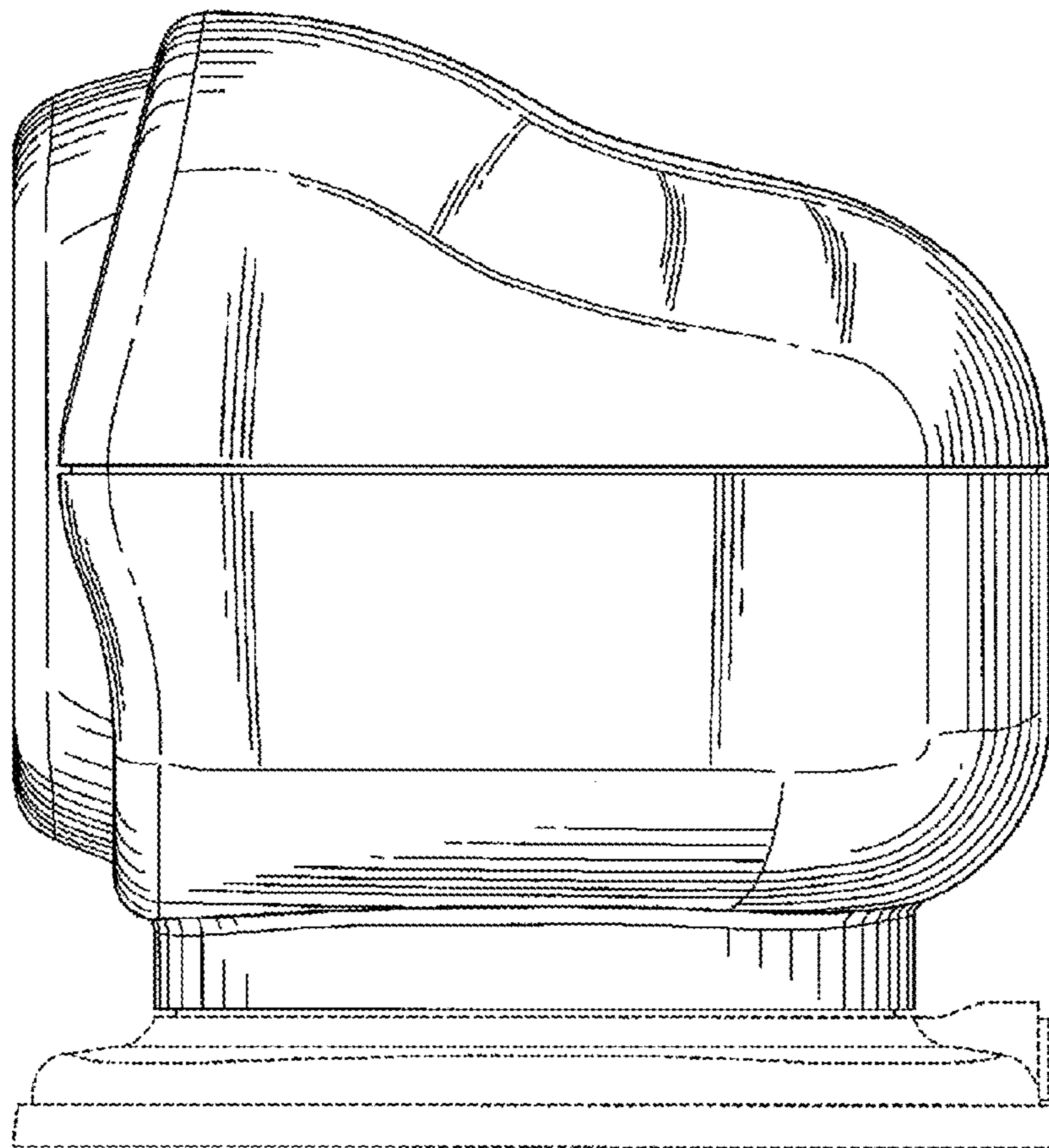


FIG.4

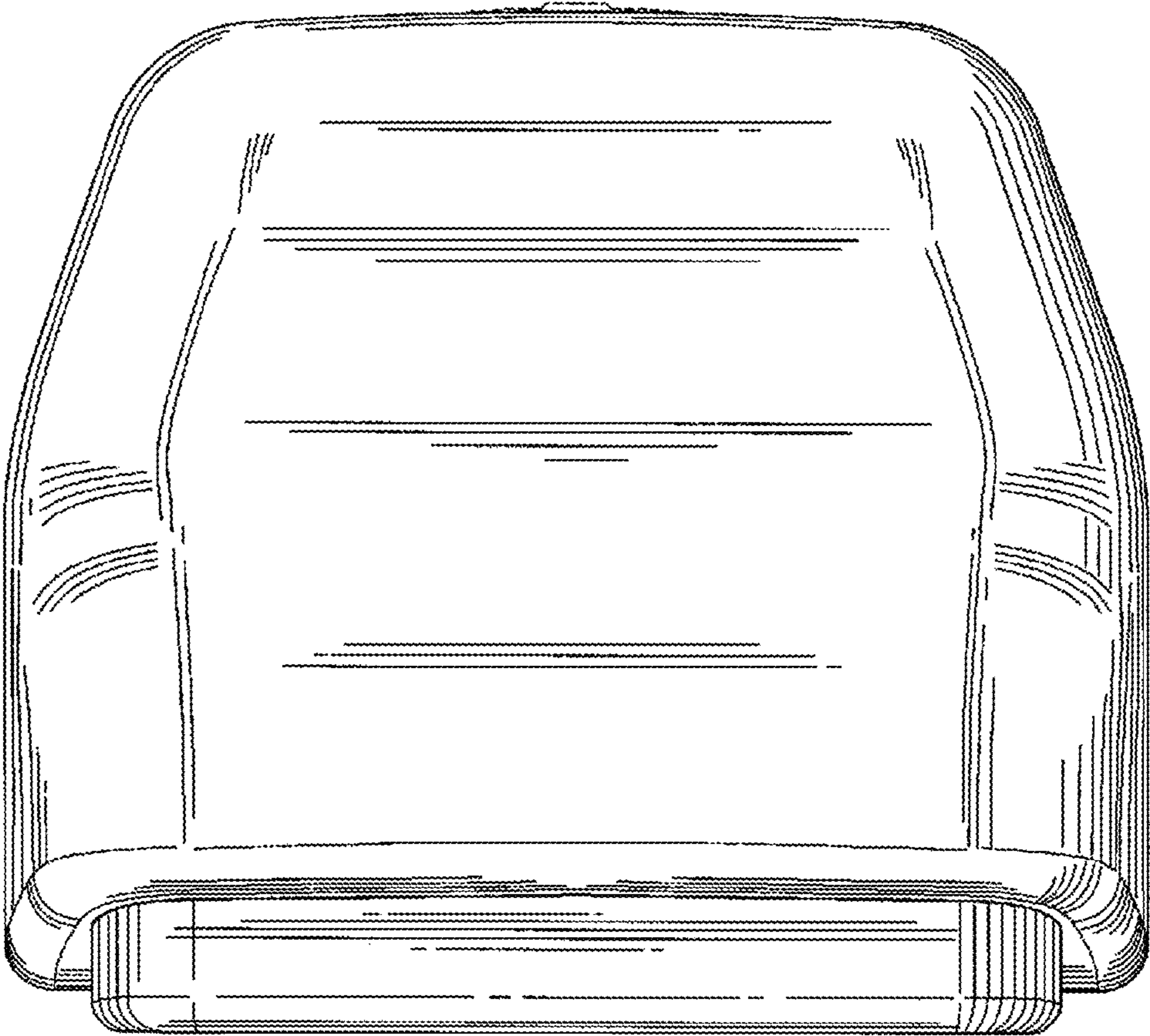


FIG.5

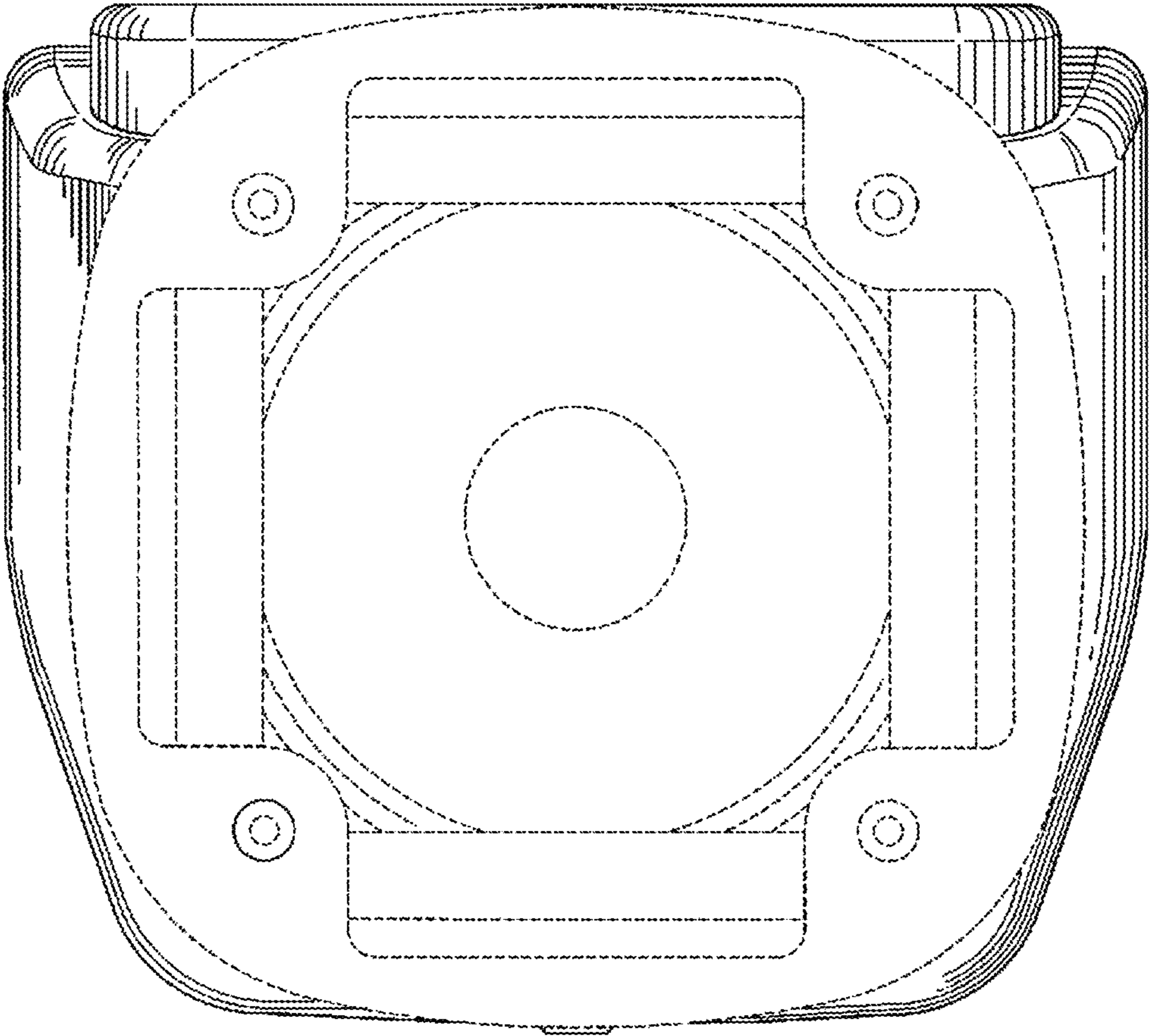


FIG.6