



US00D768898S

(12) **United States Design Patent** (10) **Patent No.:** **US D768,898 S**  
**Crone** (45) **Date of Patent:** **\*\* Oct. 11, 2016**

(54) **LUMINAIRE**

(56) **References Cited**

(71) Applicant: **Slope Lighting Solutions B.V.**,  
Amsterdam (NL)

U.S. PATENT DOCUMENTS

(72) Inventor: **Henk Crone**, The Hague (NL)

D625,871 S \* 10/2010 Huang ..... D26/63  
D640,409 S \* 6/2011 Lin ..... D26/93  
D747,525 S \* 1/2016 Guercio ..... D26/63  
D748,838 S \* 2/2016 Brynjolfsson ..... D26/63

(73) Assignee: **SLOPE LIGHTING SOLUTIONS B.V.**, Amsterdam (NL)

\* cited by examiner

(\*\*) Term: **14 Years**

*Primary Examiner* — Brian N Vinson

(21) Appl. No.: **29/502,807**

(74) *Attorney, Agent, or Firm* — Abelman, Frayne & Schwab

(22) Filed: **Sep. 19, 2014**

(57) **CLAIM**

The ornamental design for a luminaire, as shown and described.

(30) **Foreign Application Priority Data**

**DESCRIPTION**

Mar. 21, 2014 (EM) ..... 002430298-0001

(51) **LOC (10) Cl.** ..... **26-03**

(52) **U.S. Cl.**  
USPC ..... **D26/63**

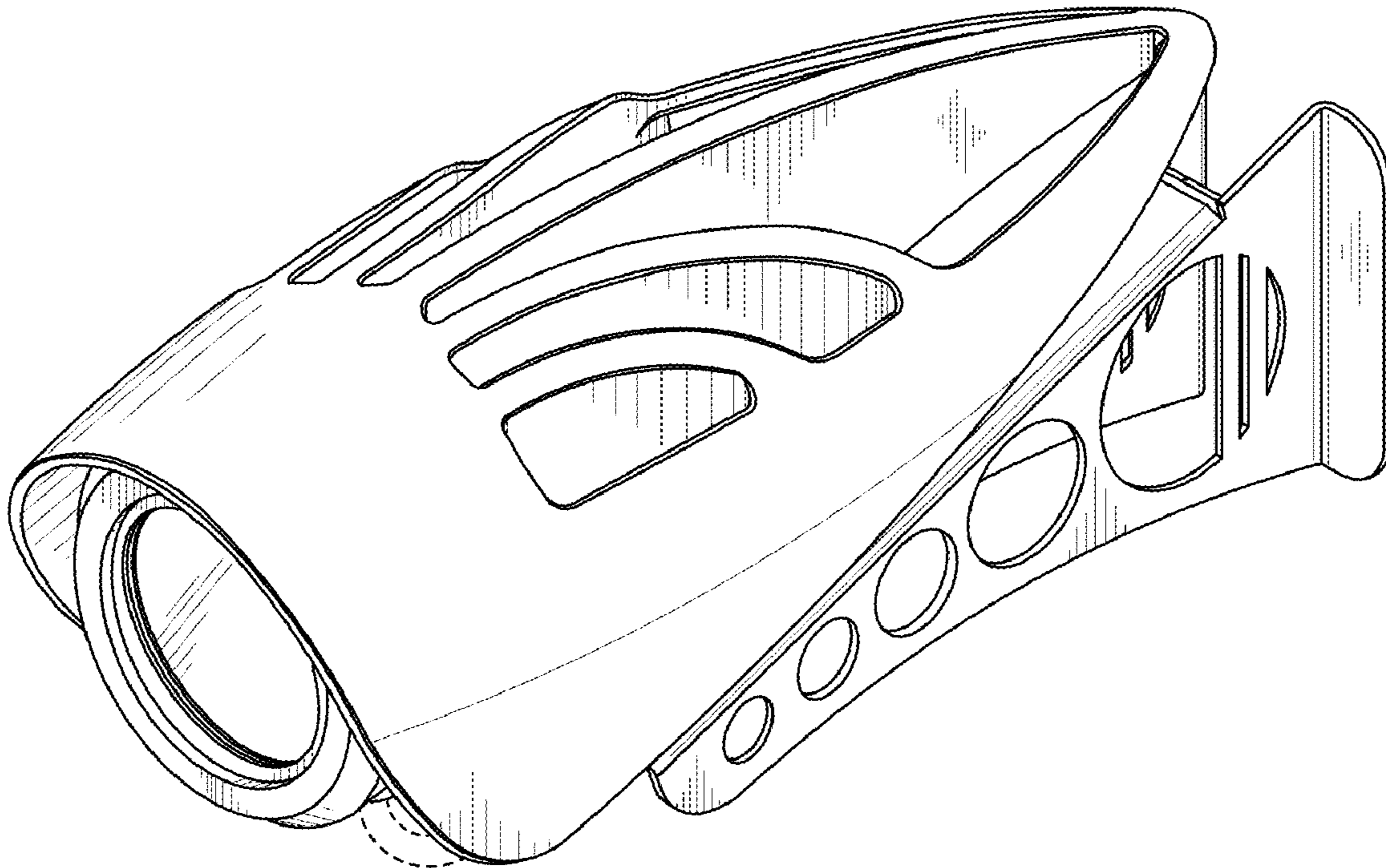
(58) **Field of Classification Search**  
USPC ..... D26/1, 24, 61, 63, 65, 85, 92  
CPC ..... F21V 21/14; F21V 15/01; F21V 14/02;  
F21V 21/30; F21V 21/00; F21V 14/00;  
F21S 8/00; F21S 8/003; F21S 8/043; F21Y  
2105/001

FIG. 1 is a front perspective view showing the new ornamental design of a luminaire;  
FIG. 2 is a front view thereof;  
FIG. 3 is a rear view thereof;  
FIG. 4 is right side view thereof;  
FIG. 5 is left side view thereof;  
FIG. 6 is top view thereof; and,  
FIG. 7 is bottom view thereof.

The broken lines showing phantom views of the wire, coupling and hardware form no part of the claimed design.

See application file for complete search history.

**1 Claim, 7 Drawing Sheets**



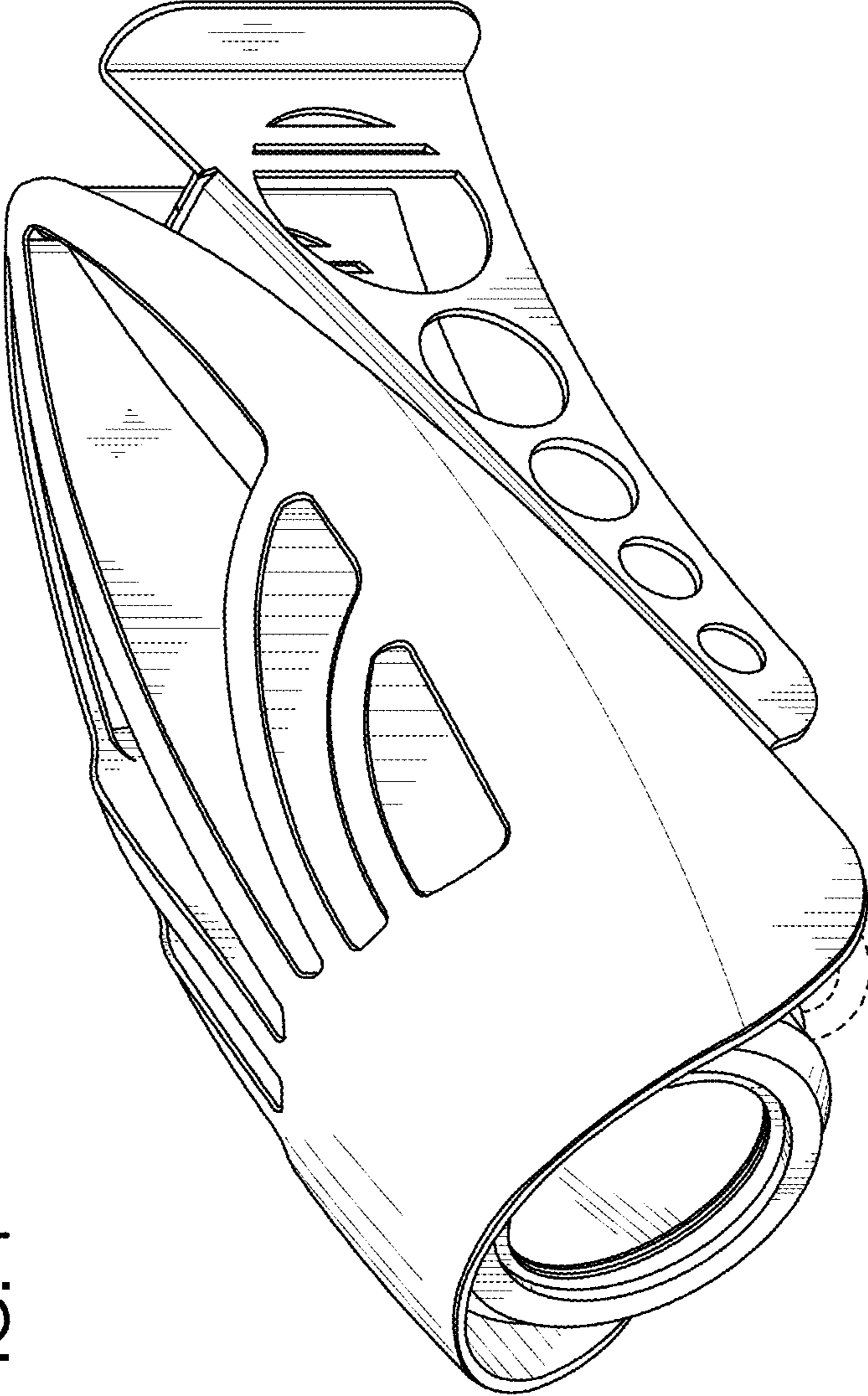


FIG. 1

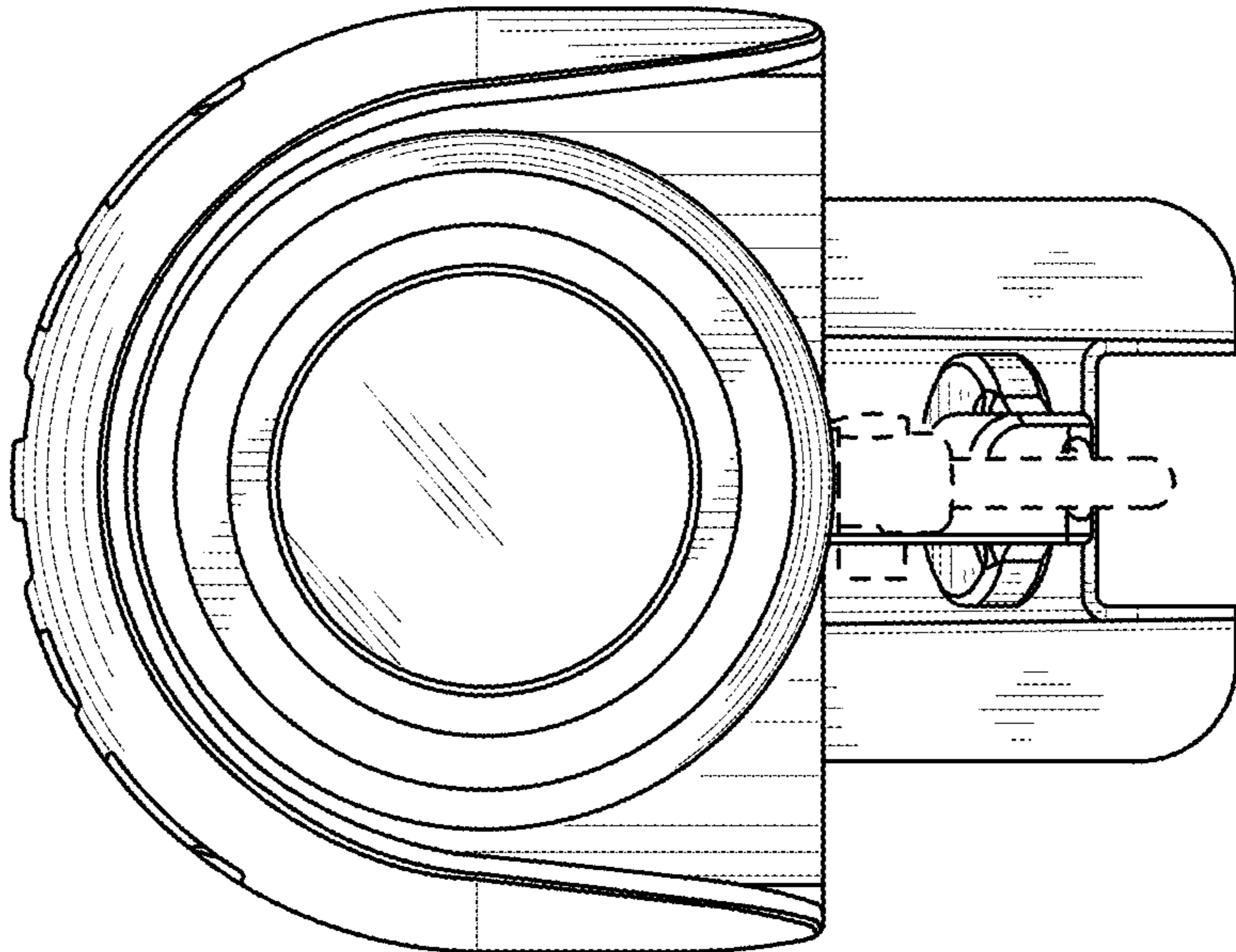


FIG. 2

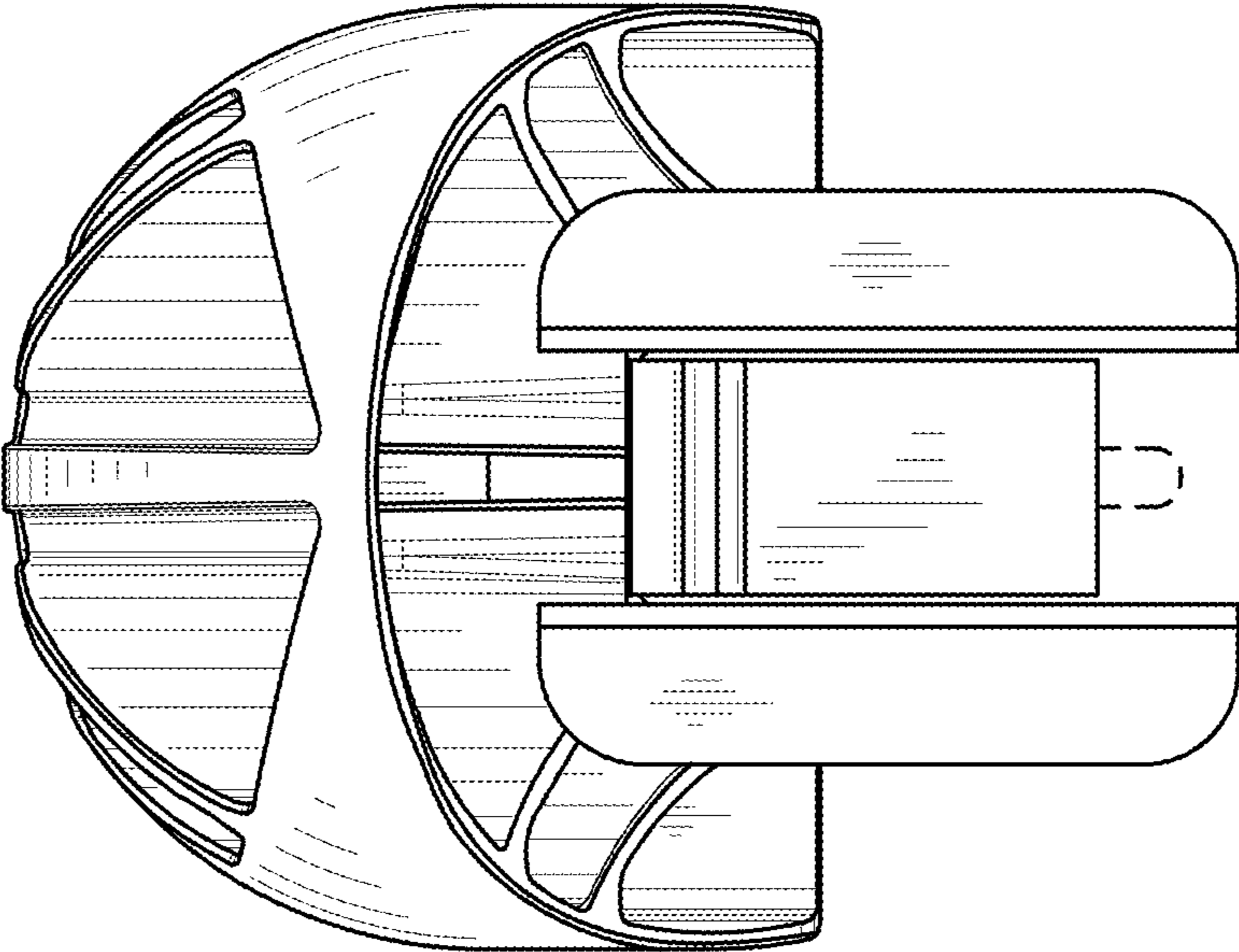


FIG. 3

FIG. 4

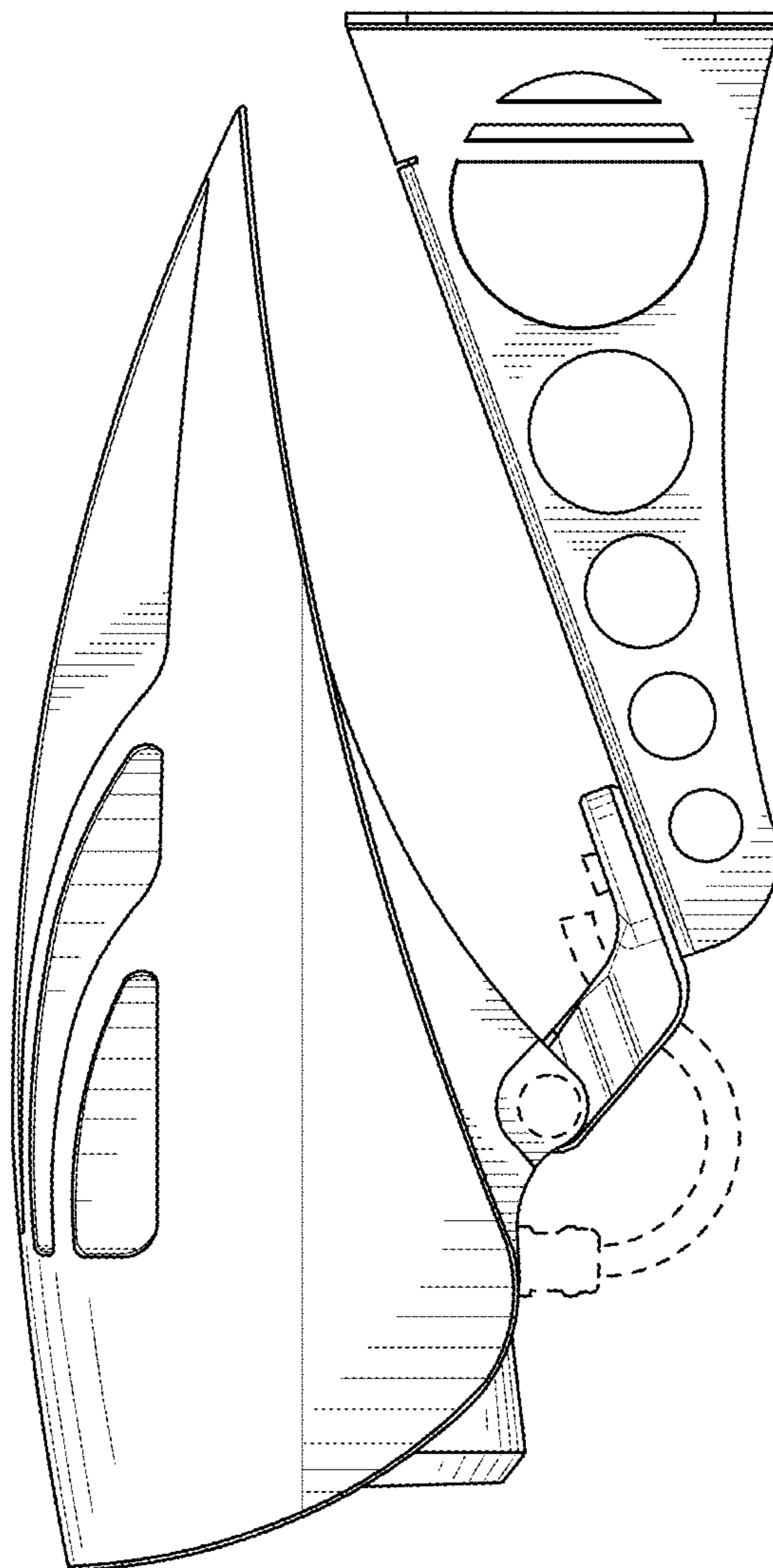


FIG. 5

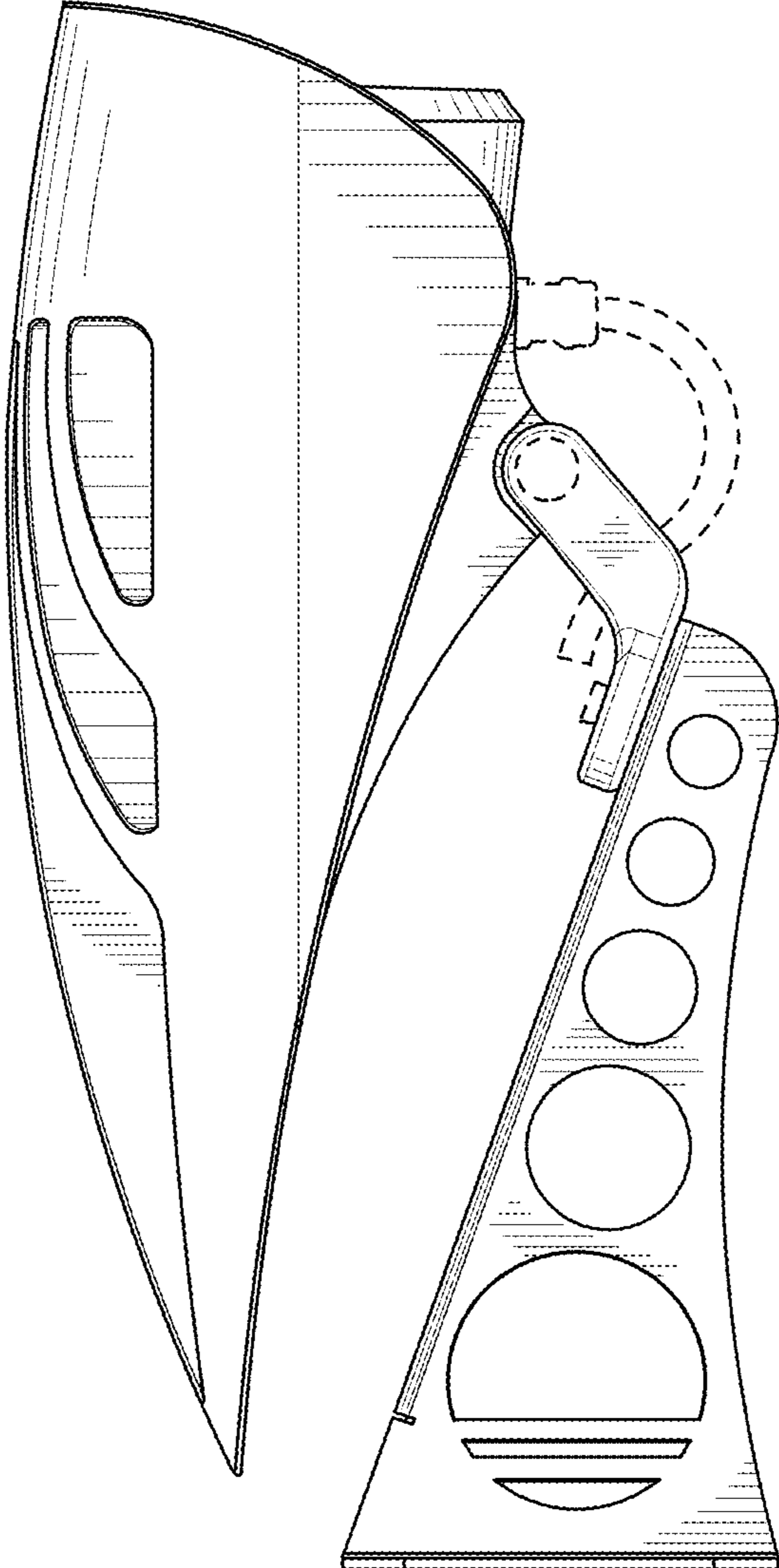


FIG. 6

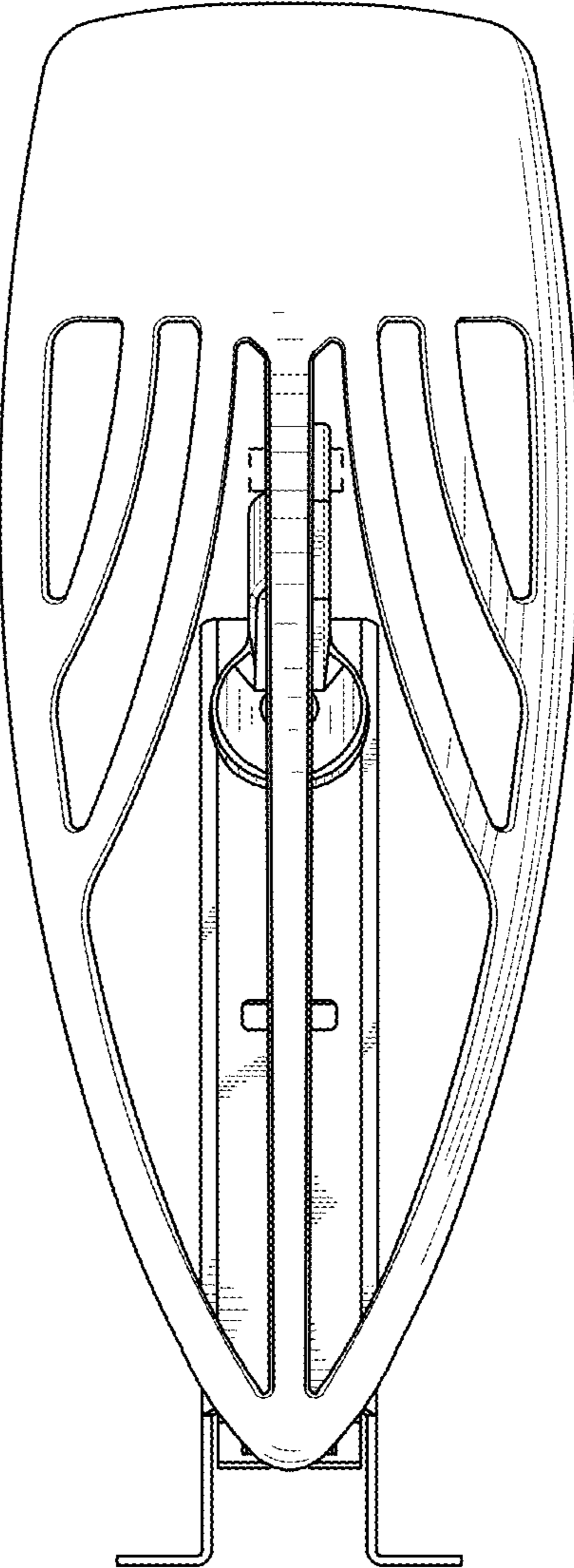


FIG. 7

