



US00D768897S

(12) **United States Design Patent** (10) **Patent No.:** **US D768,897 S**
Cooper (45) **Date of Patent:** **** Oct. 11, 2016**

(54) **WORK LIGHT**

(71) Applicant: **Wilmar Corporation**, Renton, WA
(US)

(72) Inventor: **David James Cooper**, Renton, WA
(US)

(73) Assignee: **Wilmar Corporation**, Renton, WA
(US)

(**) Term: **15 Years**

(21) Appl. No.: **29/542,803**

(22) Filed: **Oct. 17, 2015**

Related U.S. Application Data

(62) Division of application No. 29/440,924, filed on Dec. 28, 2012, now Pat. No. Des. 743,072.

(51) **LOC (10) Cl.** **26-02**

(52) **U.S. Cl.**
USPC **D26/37**

(58) **Field of Classification Search**
USPC D26/37, 39, 40, 41, 42, 43, 44, 46, 50;
362/157, 158, 183, 184, 194-196,
362/200-208, 253

CPC F21L 2003/00; F21L 4/00; F21L 4/005;
F21L 4/02; F21L 4/025; F21L 4/027; F21L
4/04; F21L 4/08; F21L 2005/00; F21L 7/00;
F21L 11/00; F21L 13/00; F21L 13/04;
F21L 13/08; F21L 14/02; F21L 17/00
See application file for complete search history.

(56) **References Cited**

U.S. PATENT DOCUMENTS

D312,316 S * 11/1990 Molony D26/37
D351,479 S * 10/1994 Meyer D26/37

D357,087 S * 4/1995 Young D26/60
D477,432 S * 7/2003 Parsons D26/37
D514,241 S * 1/2006 Franks D10/111
D535,416 S * 1/2007 O'Dell D26/37
D542,453 S * 5/2007 Osiecki D26/37
D553,276 S * 10/2007 Campbell D26/37
D556,926 S * 12/2007 Thirouin D26/37
D588,291 S * 3/2009 VanderWoude D26/37
D594,148 S * 6/2009 Heselden D26/37
D603,997 S * 11/2009 Shiu D26/72
D631,178 S * 1/2011 Kovacik D26/38
D639,469 S * 6/2011 Zhuang D26/37
D651,731 S * 1/2012 Xu D26/37
D695,434 S * 12/2013 Shen D26/41
D729,425 S * 5/2015 Wright D26/37
D737,491 S * 8/2015 Shen D26/50
D738,022 S * 9/2015 Shen D26/50

* cited by examiner

Primary Examiner — Lakiya Rogers

Assistant Examiner — Carissa C Fitts

(74) *Attorney, Agent, or Firm* — Baumgartner Patent
Law; Marc Baumgartner

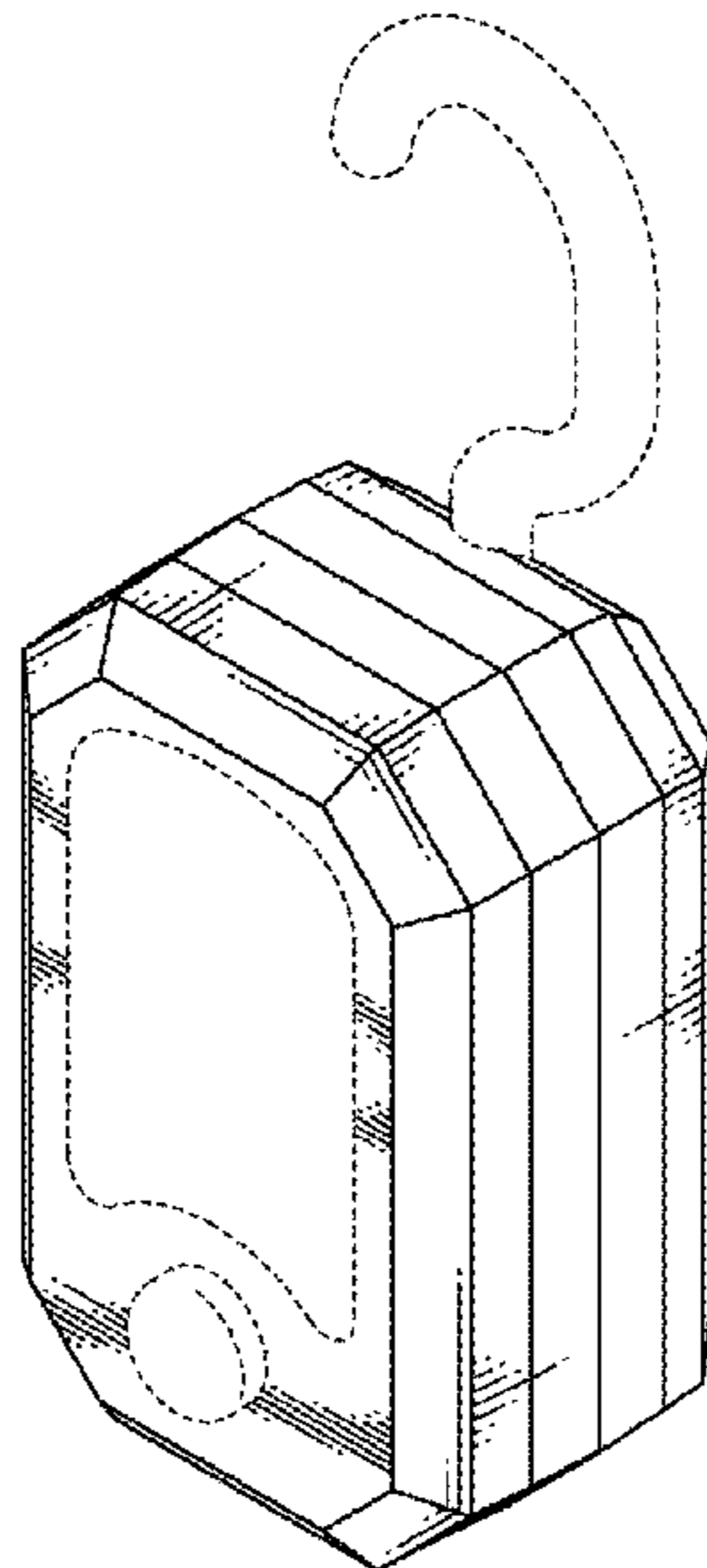
(57) **CLAIM**

The ornamental design for a work light, as shown and described.

DESCRIPTION

FIG. 1 is a perspective view of the work light;
FIG. 2 is a front view of the work light;
FIG. 3 is a rear view of the work light;
FIG. 4 is a first side view of the work light;
FIG. 5 is a second side view of the work light;
FIG. 6 is a top view of the work light; and,
FIG. 7 is a bottom view of the work light.
The broken line showing represents unclaimed portions of
the article and forms no part of the claimed design.

1 Claim, 2 Drawing Sheets



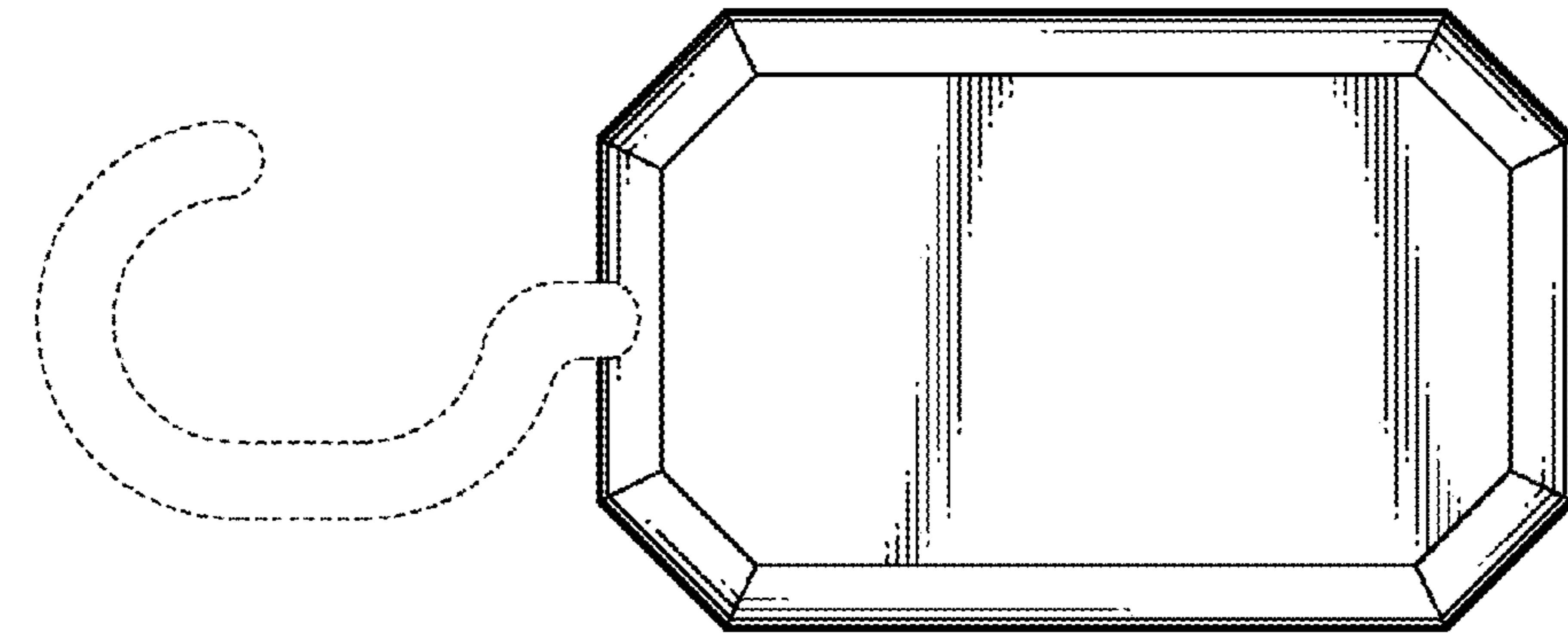


FIG. 1

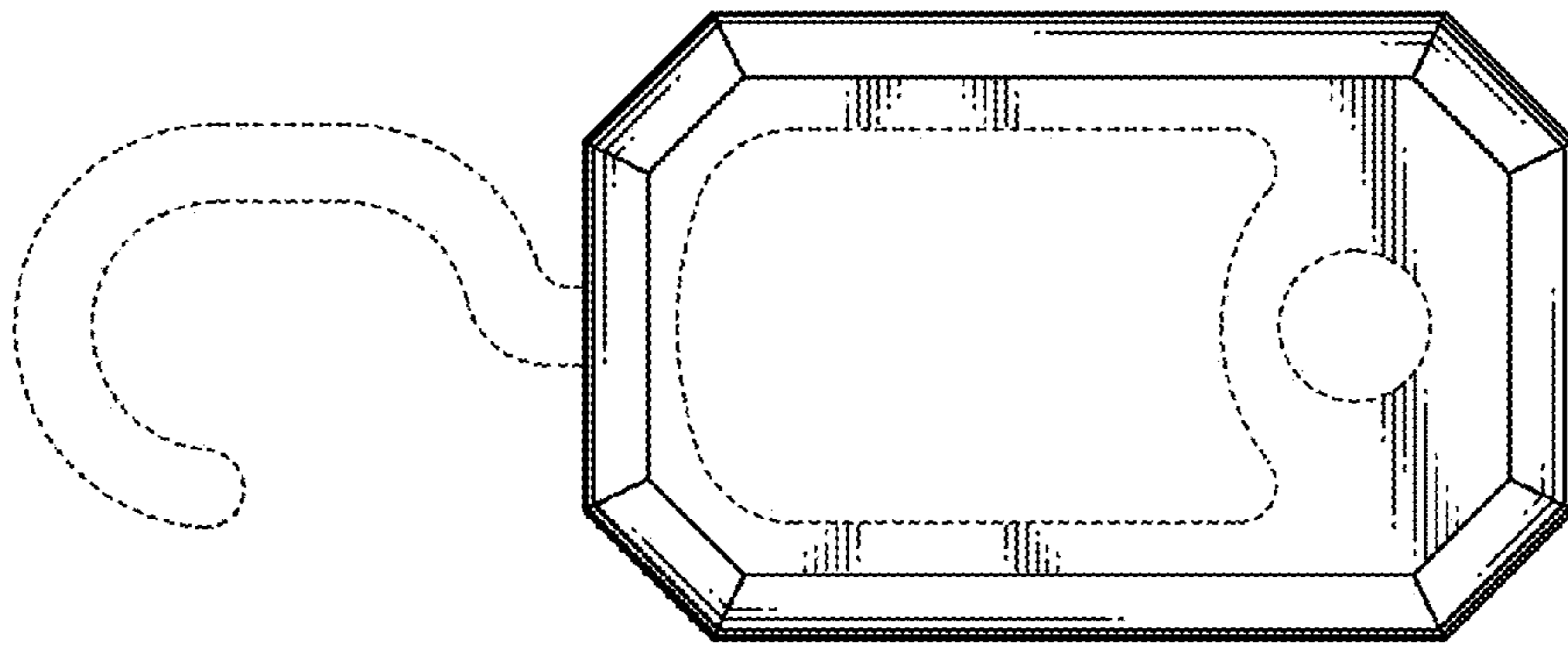


FIG. 2

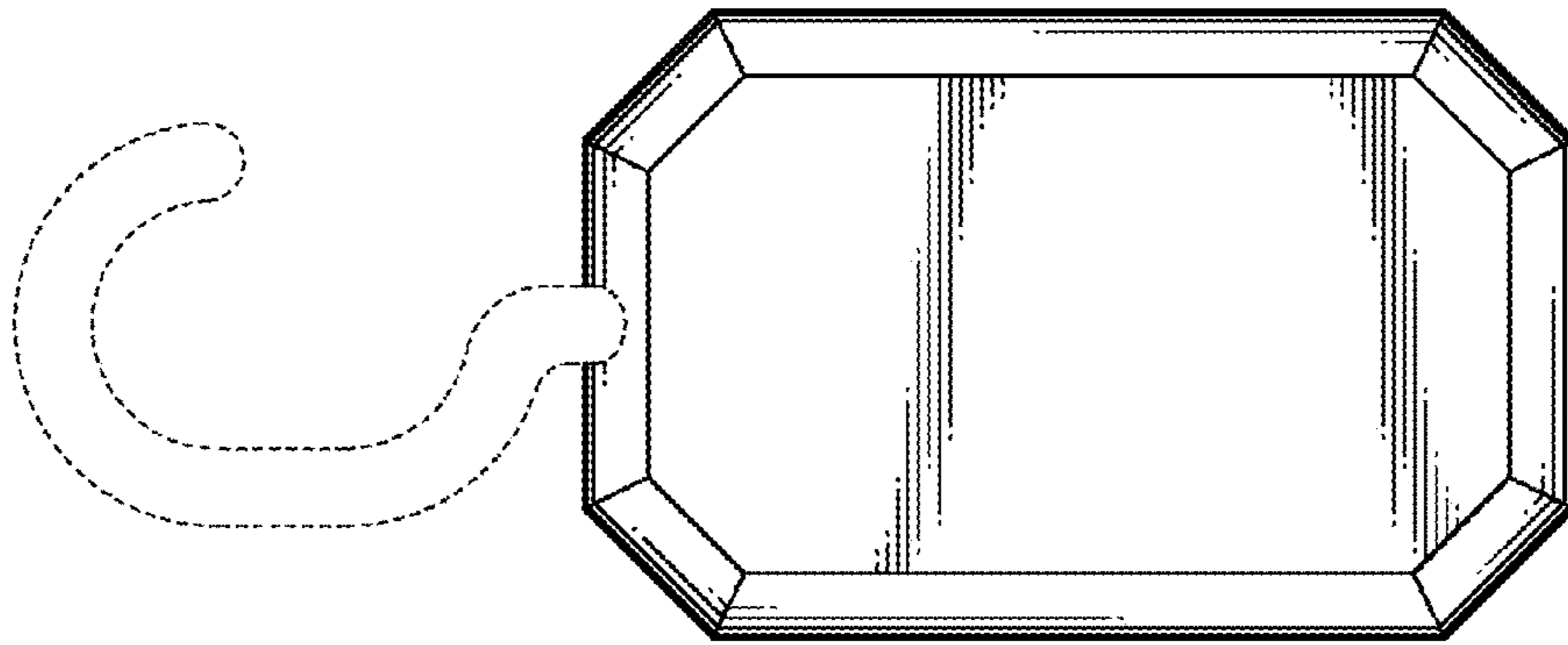


FIG. 3

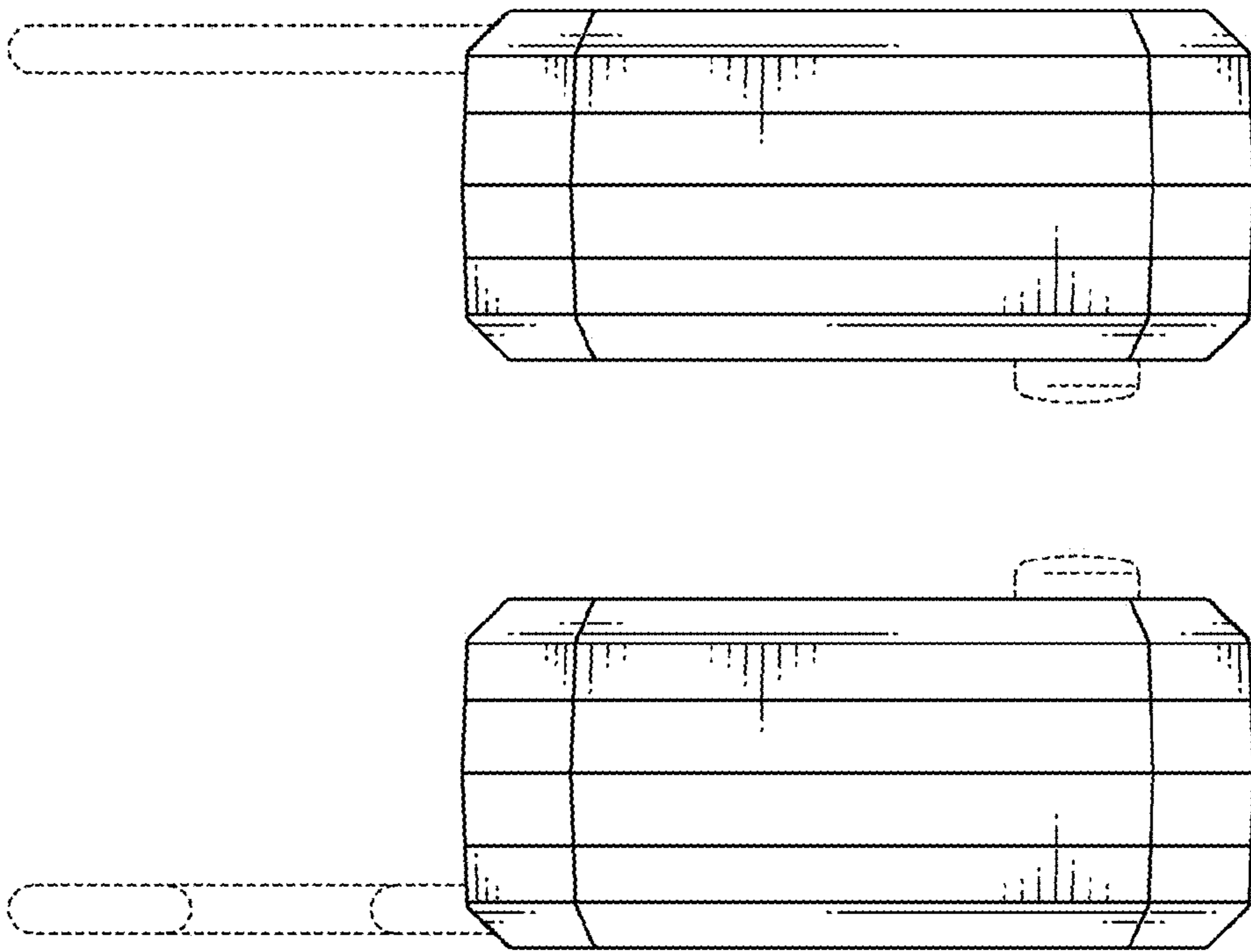


FIG. 4

FIG. 5

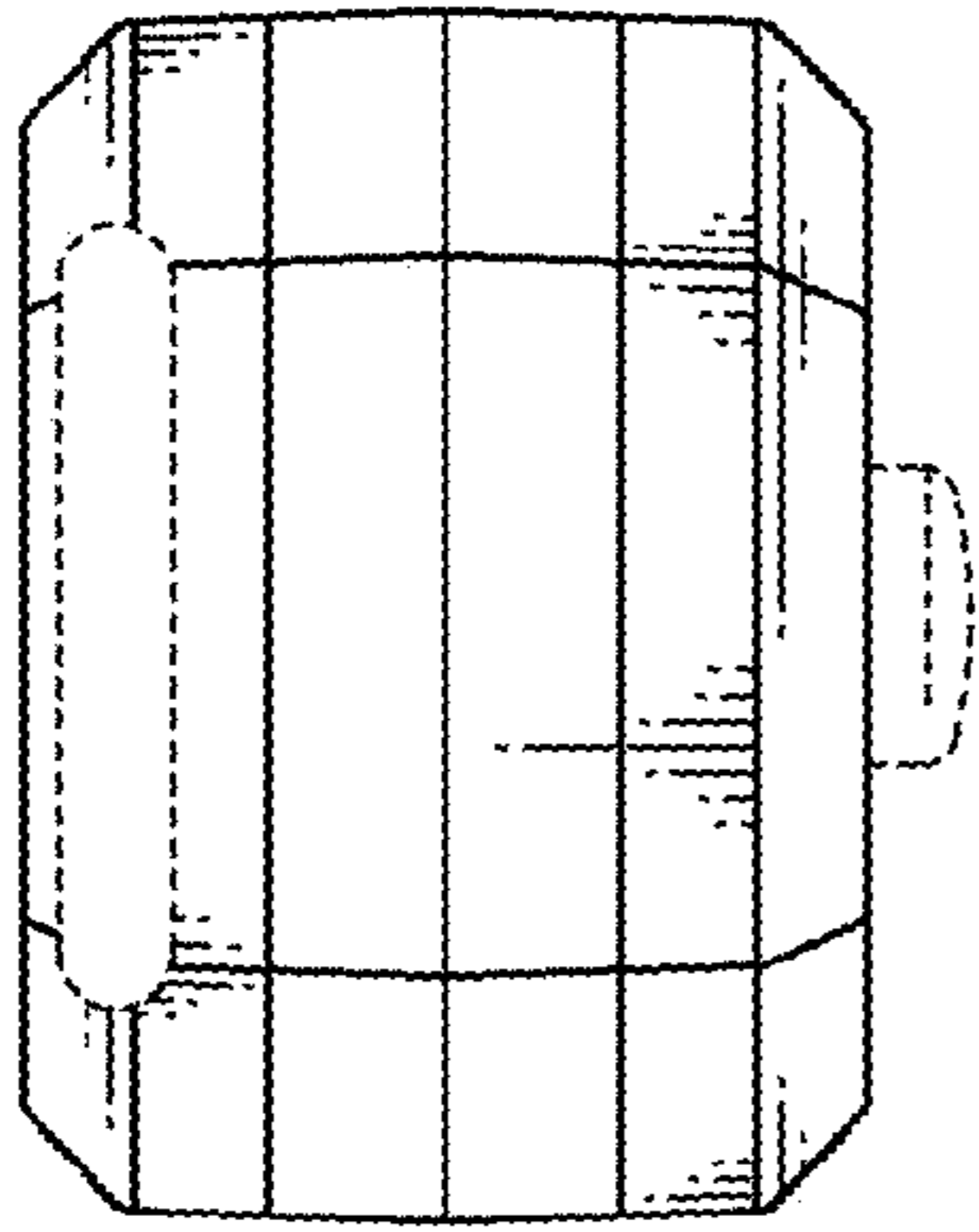


FIG. 6

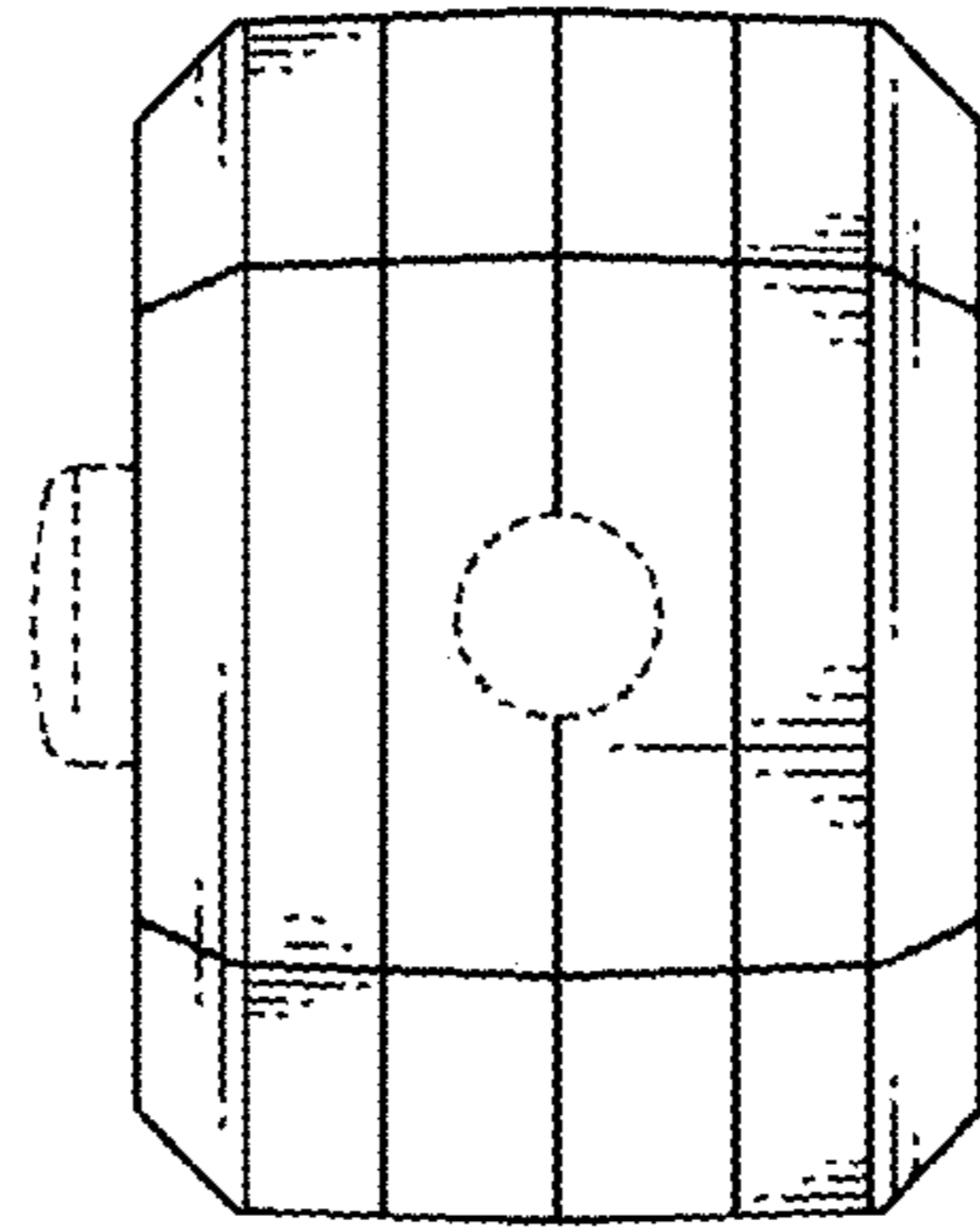


FIG. 7