

US00D768895S

(12) **United States Design Patent** (10) **Patent No.:** **US D768,895 S**
Platto et al. (45) **Date of Patent:** **** Oct. 11, 2016**

(54) **VEHICLE TAIL LAMP**

(56) **References Cited**

(71) Applicant: **Ford Motor Company**, Dearborn, MI (US)

U.S. PATENT DOCUMENTS

(72) Inventors: **Gordon Platto**, Troy, MI (US); **Sean Tant**, Livonia, MI (US); **William K. Moore**, West Bloomfield, MI (US); **Richard Howard**, Brighton, MI (US); **Bruce P. Williams**, Grosse Pointe Park, MI (US)

D526,426 S *	8/2006	Fukui	D26/28
D552,769 S *	10/2007	Leclercq	D26/28
D637,322 S *	5/2011	Yang	D26/28
D661,830 S *	6/2012	de Queiroz	D26/28
D691,296 S *	10/2013	Platto	D26/28
D708,365 S *	7/2014	Platto	D26/28

* cited by examiner

(73) Assignee: **Ford Motor Company**, Dearborn, MI (US)

Primary Examiner — Marcus Jackson

(74) *Attorney, Agent, or Firm* — Damian Porcari

(**) Term: **15 Years**

(57) **CLAIM**

The ornamental design for a vehicle tail lamp, as shown and described.

(21) Appl. No.: **29/537,840**

DESCRIPTION

(22) Filed: **Aug. 28, 2015**

FIG. 1 is a top front perspective view of a left vehicle tail lamp (the right vehicle tail lamp being a mirror image, and is not shown);

(51) **LOC (10) Cl.** **26-06**

(52) **U.S. Cl.**
USPC **D26/28**

FIG. 2 is a bottom front perspective view thereof;

FIG. 3 is a top rear perspective view thereof;

(58) **Field of Classification Search**
USPC D26/28-36; 362/459-468, 475-478, 362/485-487

FIG. 4 is a front elevational view thereof;

FIG. 5 is a rear elevational view thereof;

CPC F21S 48/00; F21S 48/10; F21S 48/115; F21S 48/225; F21S 48/1233; F21S 48/1266; F21S 48/1388; F21S 48/2268; F21V 21/04

FIG. 6 is a left side elevational view thereof;

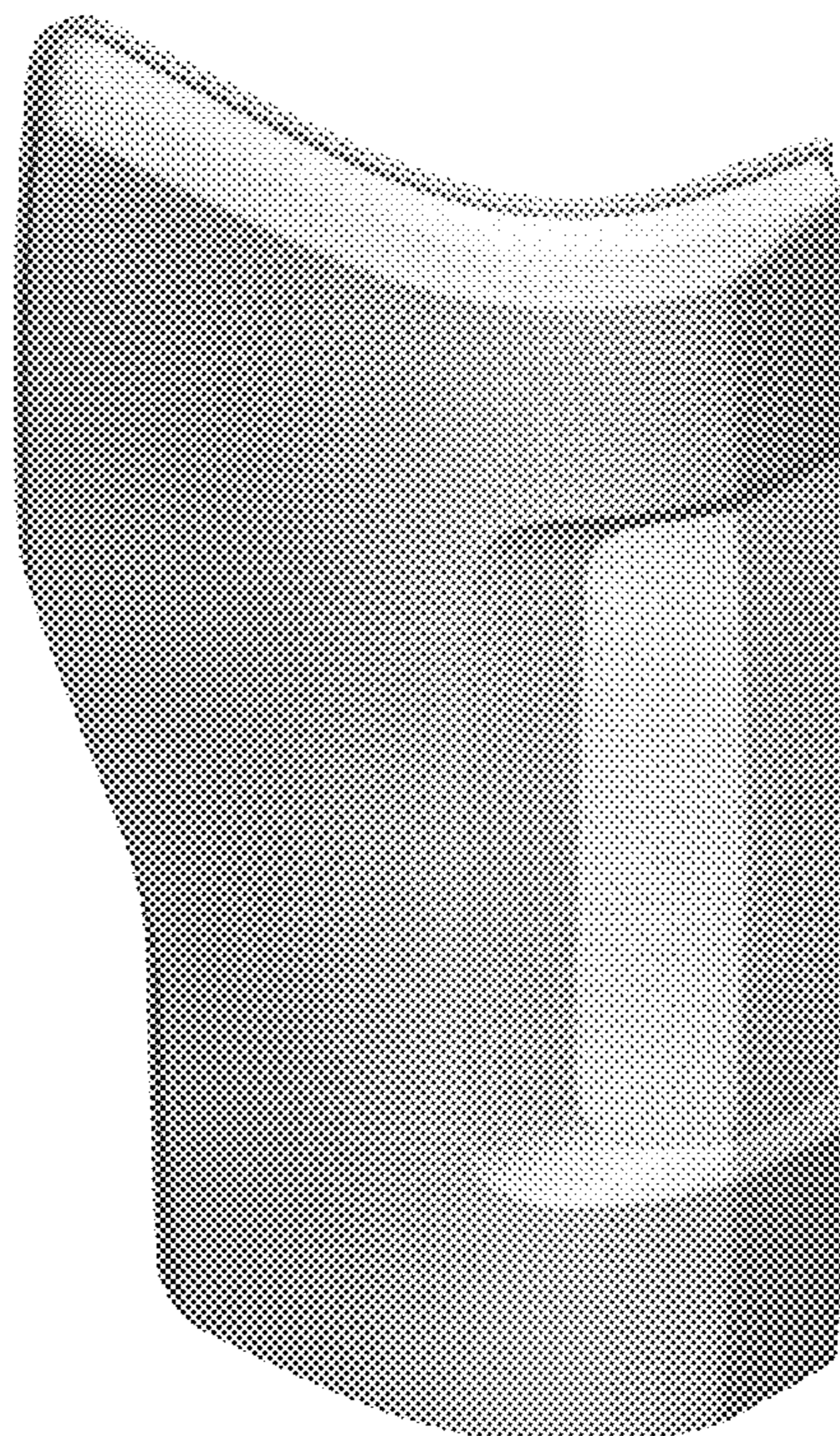
FIG. 7 is a right side elevational view thereof;

FIG. 8 is a top plan view thereof; and,

See application file for complete search history.

FIG. 9 is a bottom plan view thereof.

1 Claim, 9 Drawing Sheets



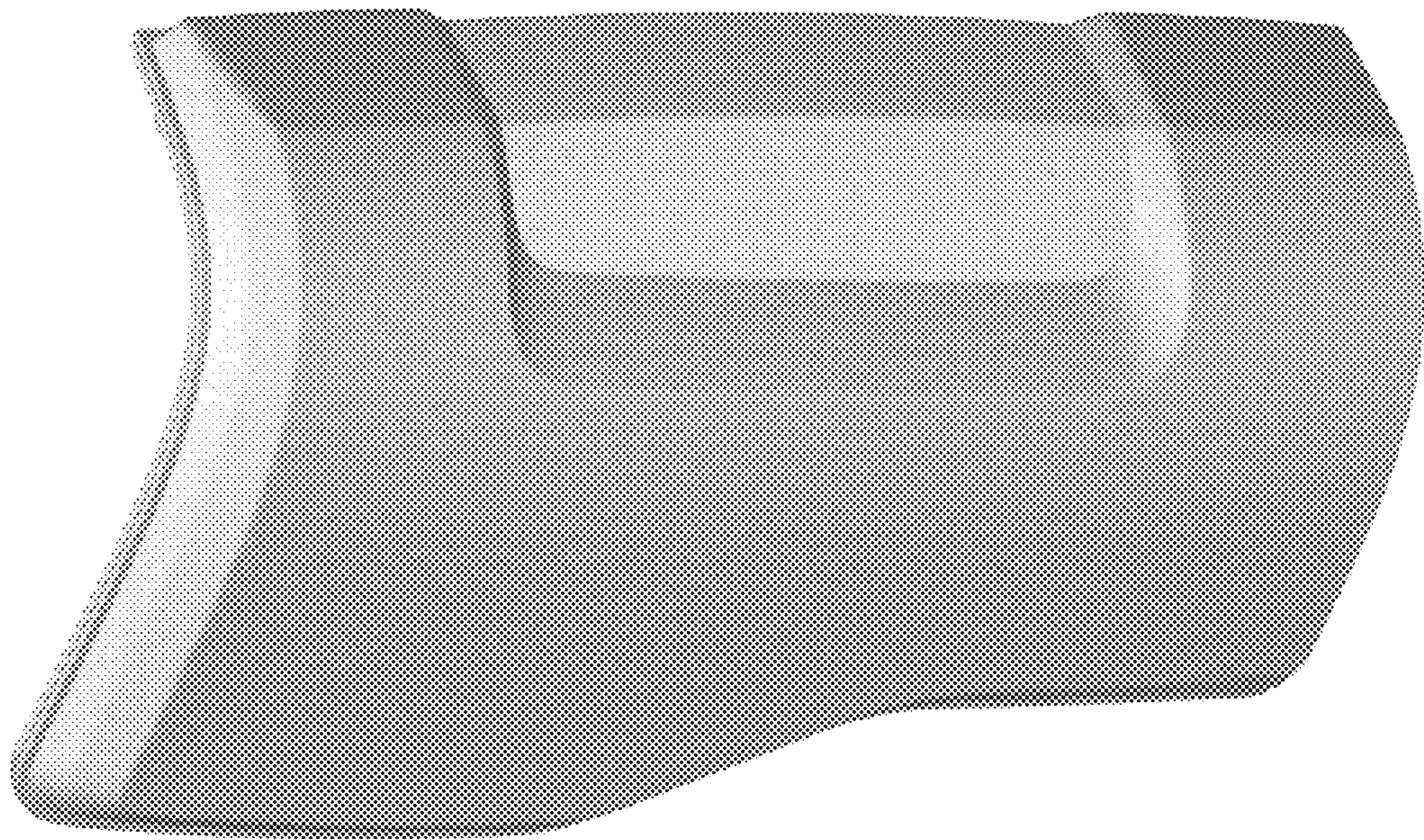


Figure 1

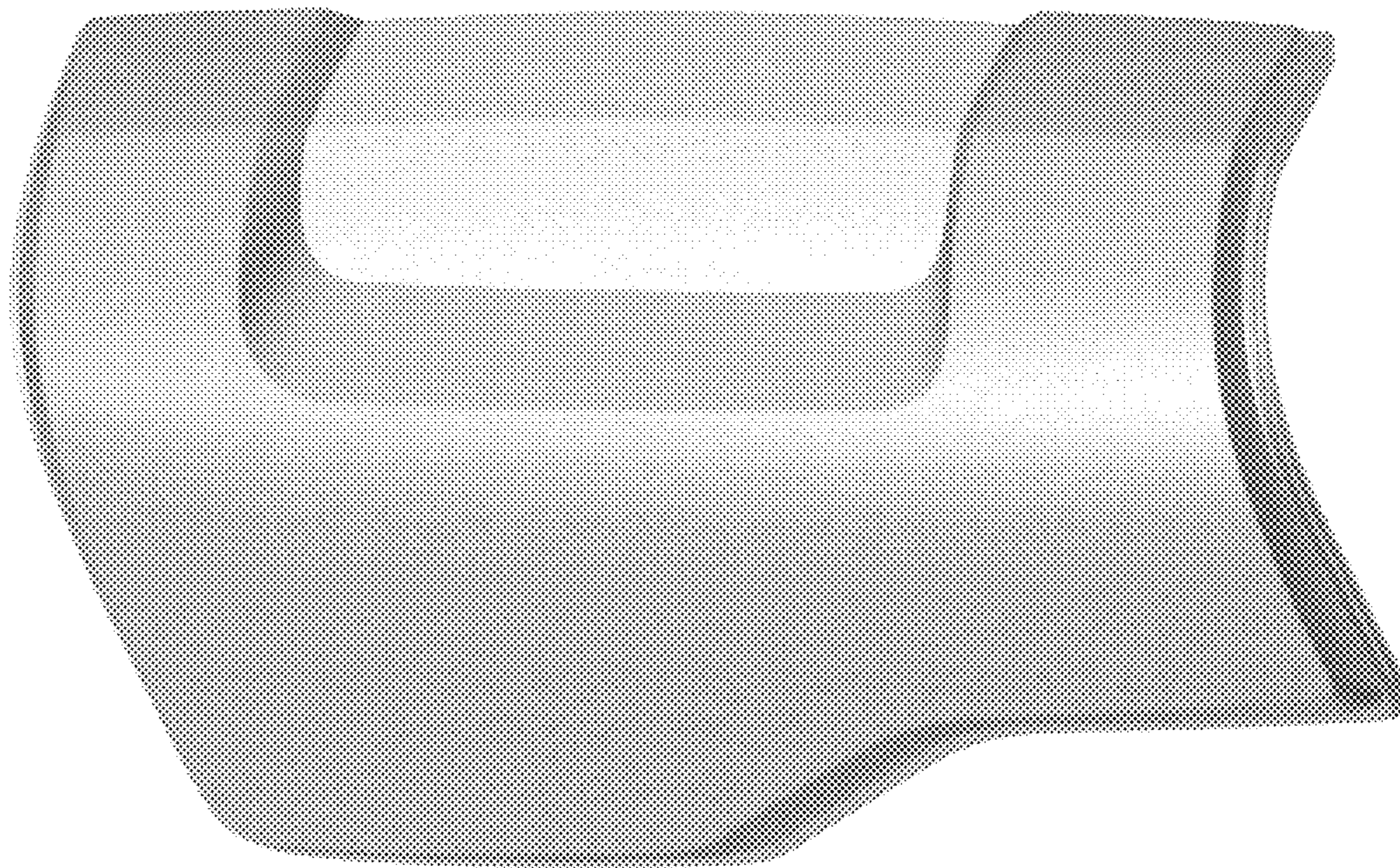


Figure 2

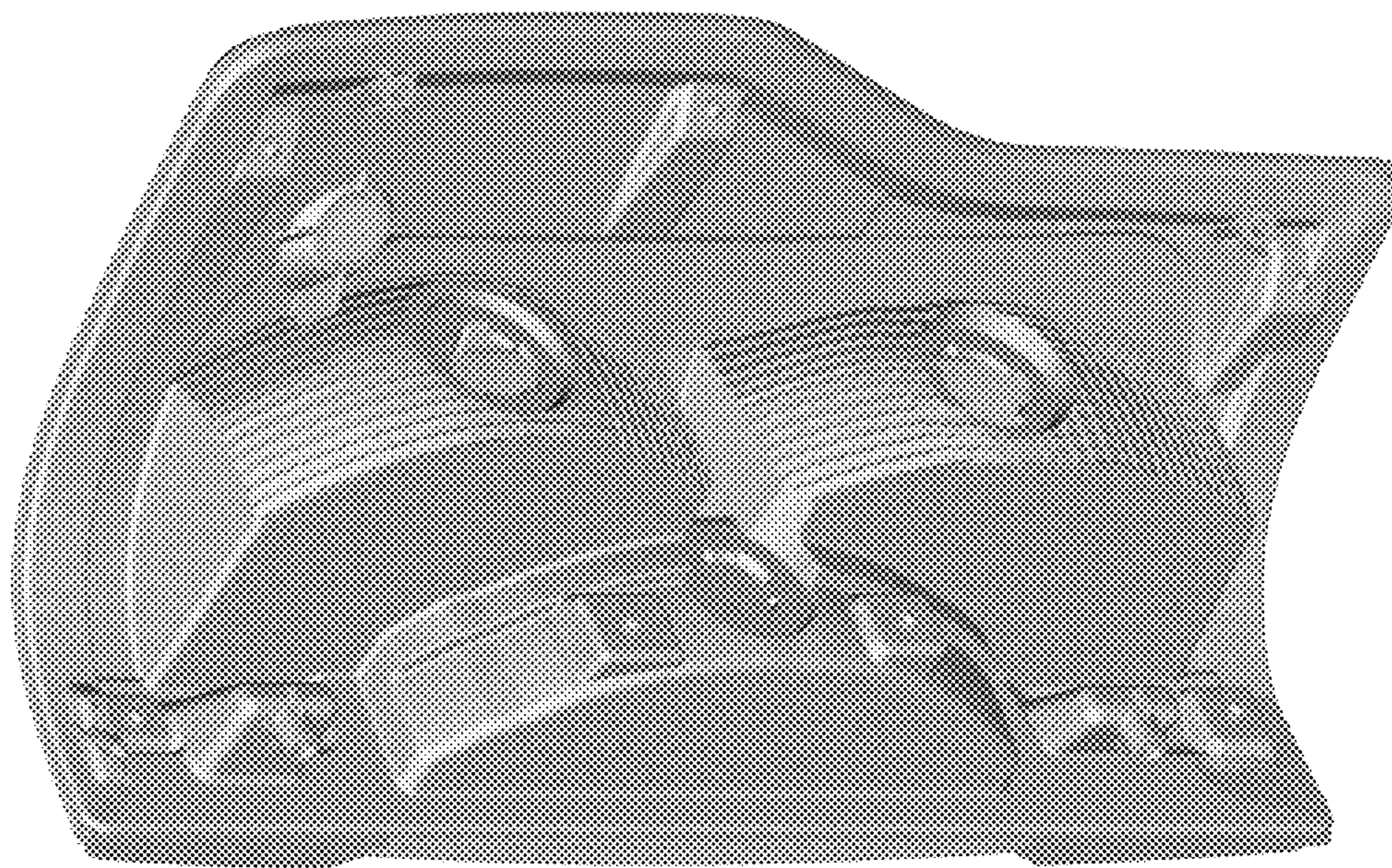


Figure 3

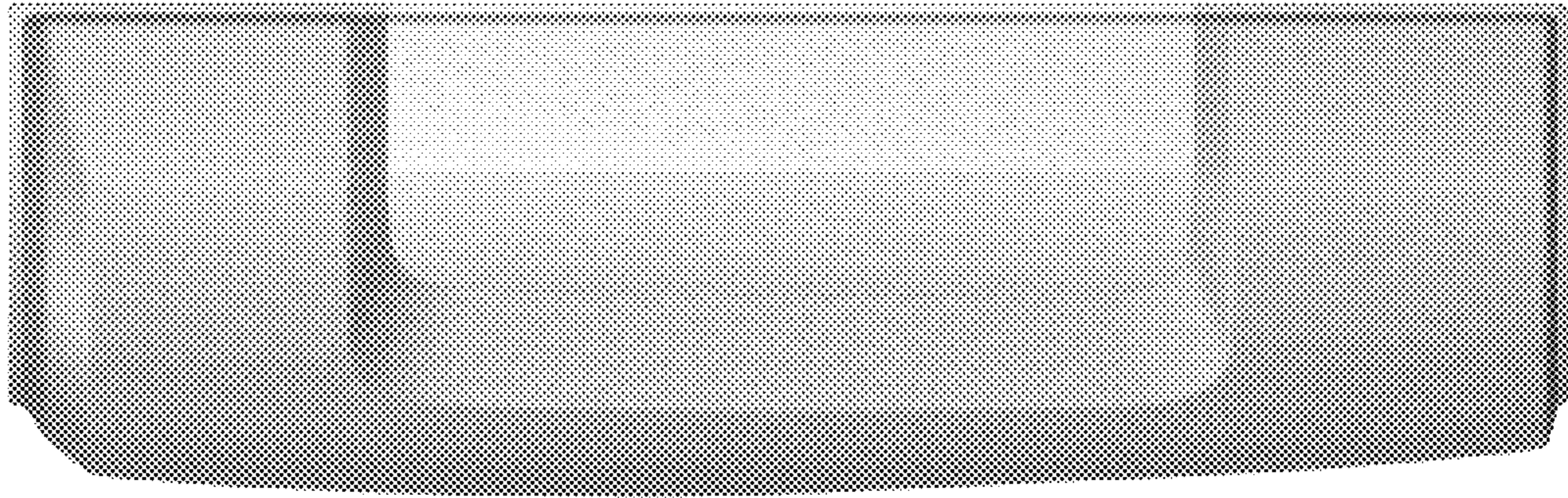


Figure 4

Figure 5

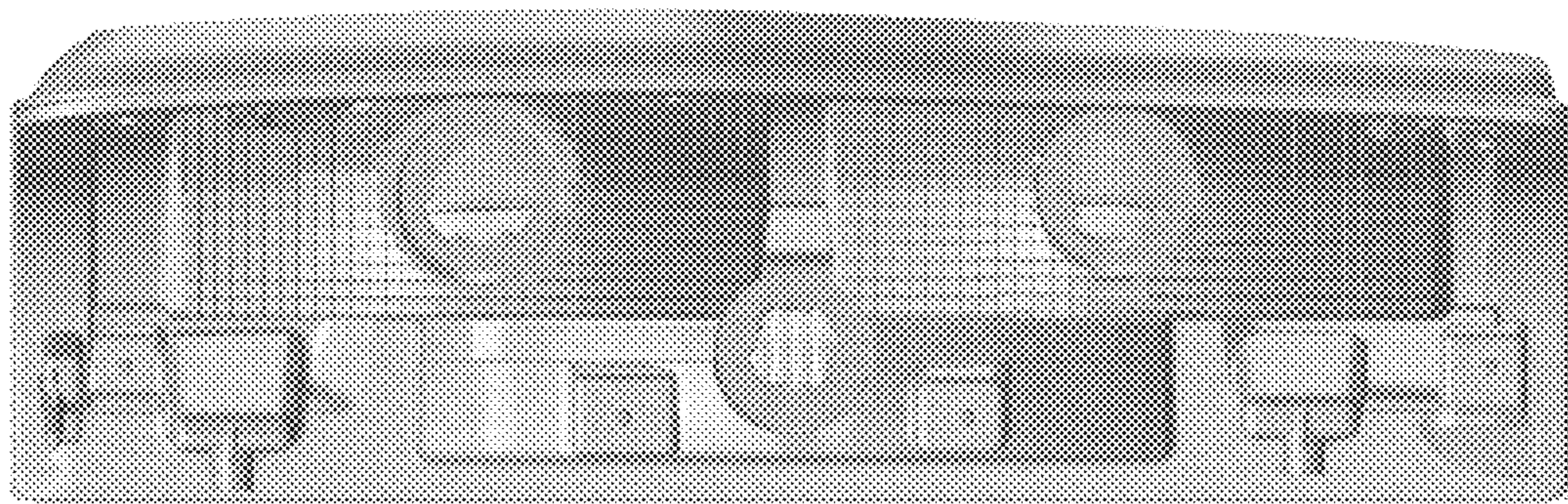
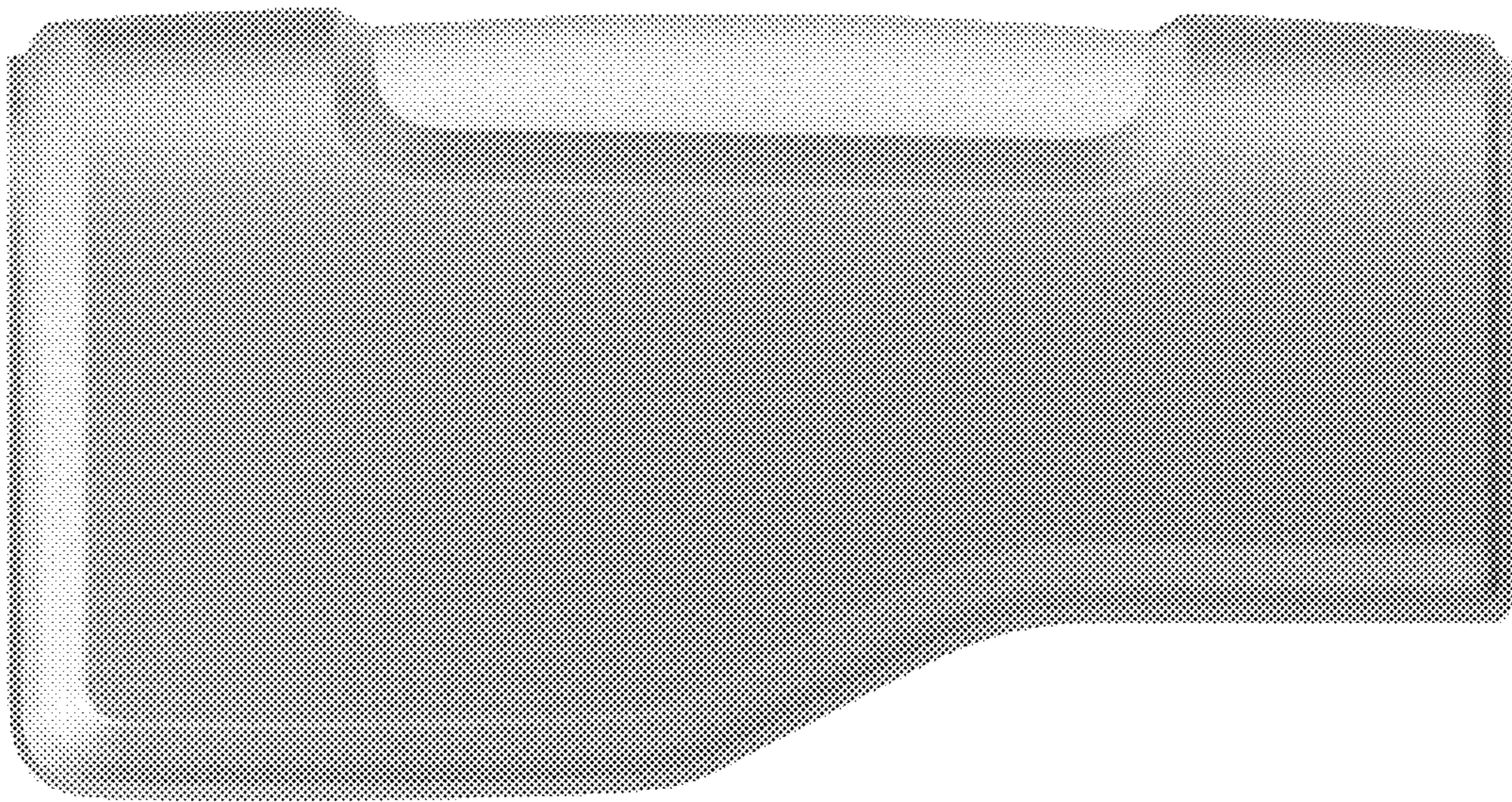


Figure 6



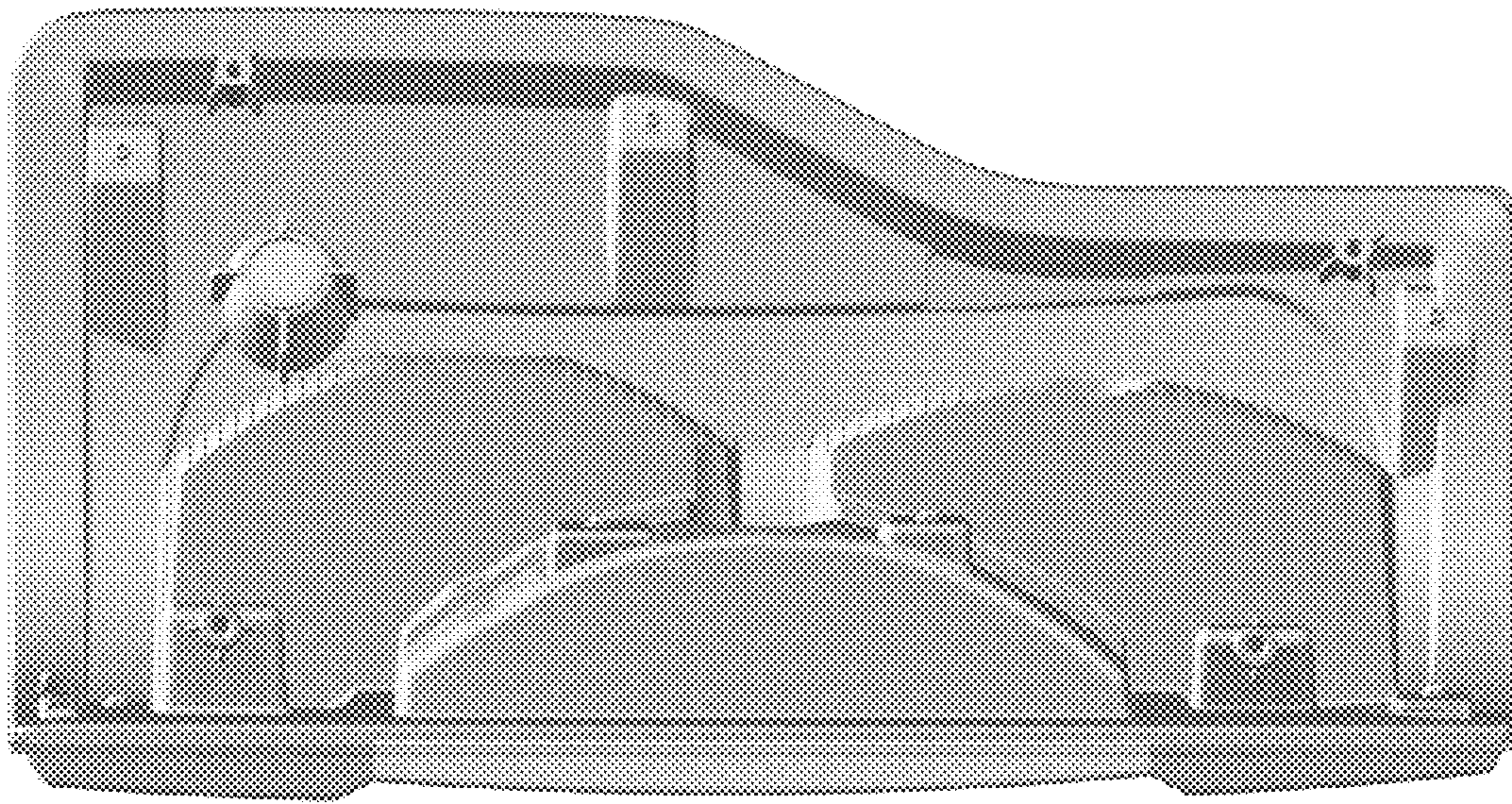


Figure 7

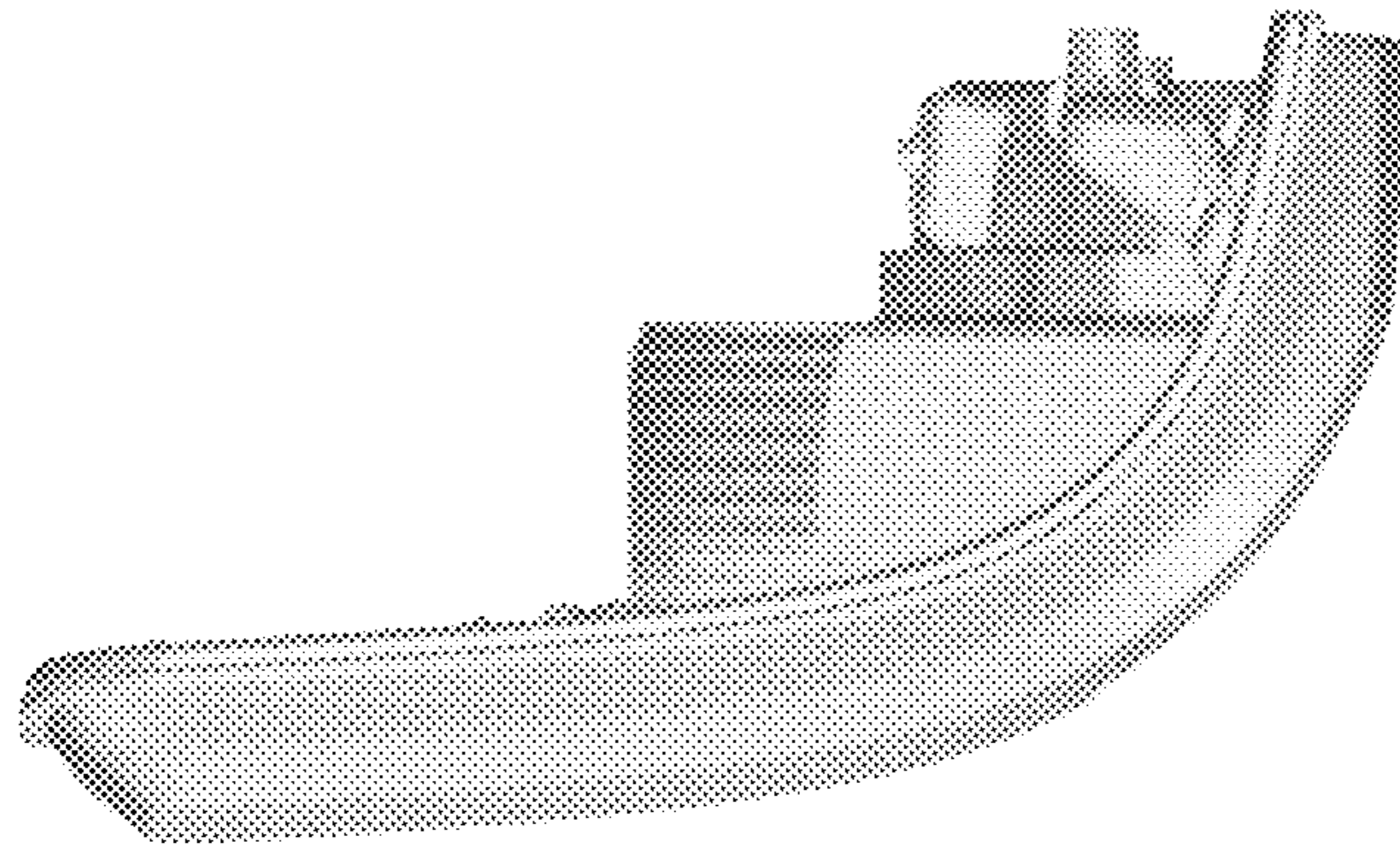


Figure 8

Figure 9

