



US00D768894S

(12) **United States Design Patent**
Faghihzadeh

(10) **Patent No.:** **US D768,894 S**
(45) **Date of Patent:** **** Oct. 11, 2016**

- (54) **TAILLIGHT FOR A VEHICLE**
- (71) Applicant: **Bayerische Motoren Werke Aktiengesellschaft, Munich (DE)**
- (72) Inventor: **Nader Faghihzadeh, Munich (DE)**
- (73) Assignee: **Bayerische Motoren Werke Aktiengesellschaft, Munich (DE)**
- (**) Term: **15 Years**
- (21) Appl. No.: **29/527,532**
- (22) Filed: **May 20, 2015**

D538,452 S *	3/2007	Pfeiffer	D26/28
D539,450 S *	3/2007	Pfeiffer	D26/28
D540,480 S *	4/2007	Pfeiffer	D26/28
D552,769 S *	10/2007	Leclercq	D26/28
D716,979 S	11/2014	Selvaag		

(30) **Foreign Application Priority Data**

Nov. 21, 2014 (DE) 40 2014 101 121

- (51) **LOC (10) Cl.** **26-06**
- (52) **U.S. Cl.**
USPC **D26/28**
- (58) **Field of Classification Search**
USPC D26/28-36; 362/61, 80-83, 267-269,
362/459-468, 475-478, 485-487
CPC F21S 48/00; F21S 48/10; F21S 48/115;
F21S 48/225; F21S 48/1233; F21S 48/1266;
F21S 48/1388; F21S 48/2268; F21V 21/04
See application file for complete search history.

(56) **References Cited**

U.S. PATENT DOCUMENTS

D523,976 S *	6/2006	Pfeiffer	D26/28
D528,680 S *	9/2006	Oda	D26/28

FOREIGN PATENT DOCUMENTS

WO DM/078972 2/2013

* cited by examiner

Primary Examiner — Marcus Jackson

(74) *Attorney, Agent, or Firm* — Crowell & Moring LLP

(57) **CLAIM**

The ornamental design for a taillight for a vehicle, as shown and described.

DESCRIPTION

This application contains subject matter related to the following co-pending U.S. design patent applications:

Application Ser. No. 29/527,514, filed herewith and entitled "Vehicle, Toy, and/or Replicas Thereof"; and

Application Ser. No. 29/527,524, filed herewith and entitled "Vehicle, Toy, and/or Replicas Thereof".

FIG. 1 is a front view of a taillight for a vehicle according to the design;

FIG. 2 is a right perspective view thereof;

FIG. 3 is a left perspective view thereof;

FIG. 4 is a right side view thereof;

FIG. 5 is a left side view thereof;

FIG. 6 is a top view thereof;

FIG. 7 is a bottom view thereof; and,

FIG. 8 is a rear view thereof.

1 Claim, 8 Drawing Sheets

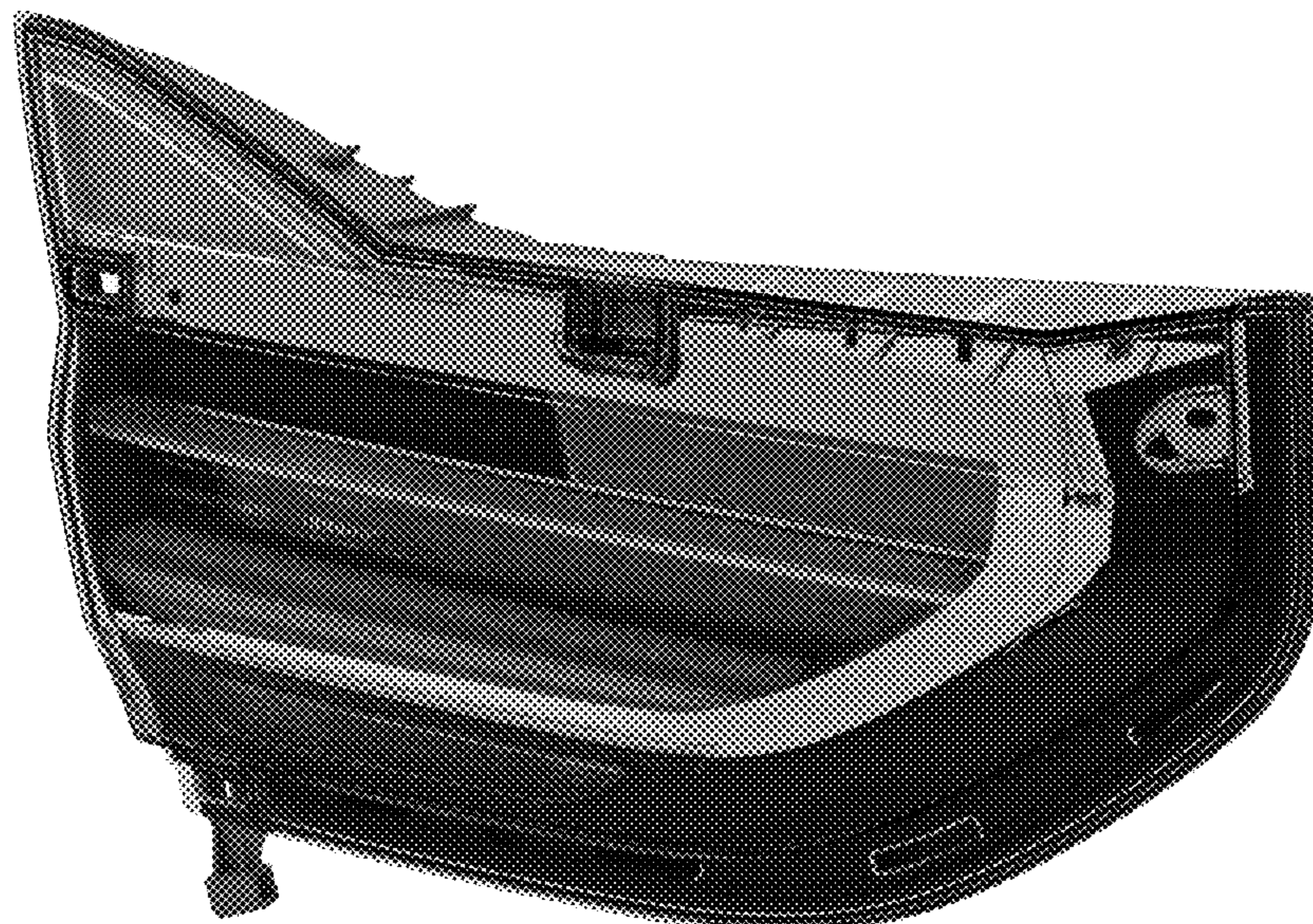




Fig. 1



Fig. 2



Fig. 3



Fig. 4

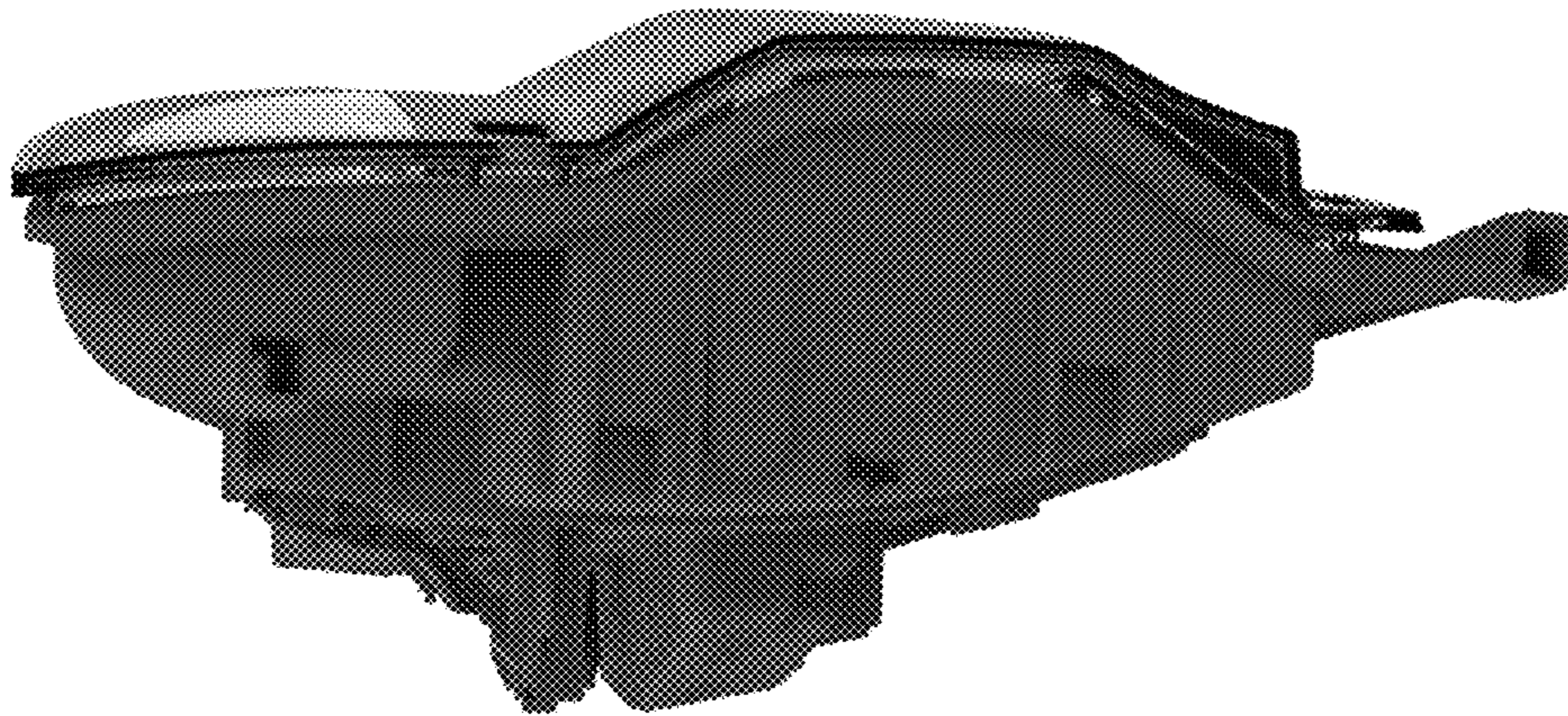


Fig. 5

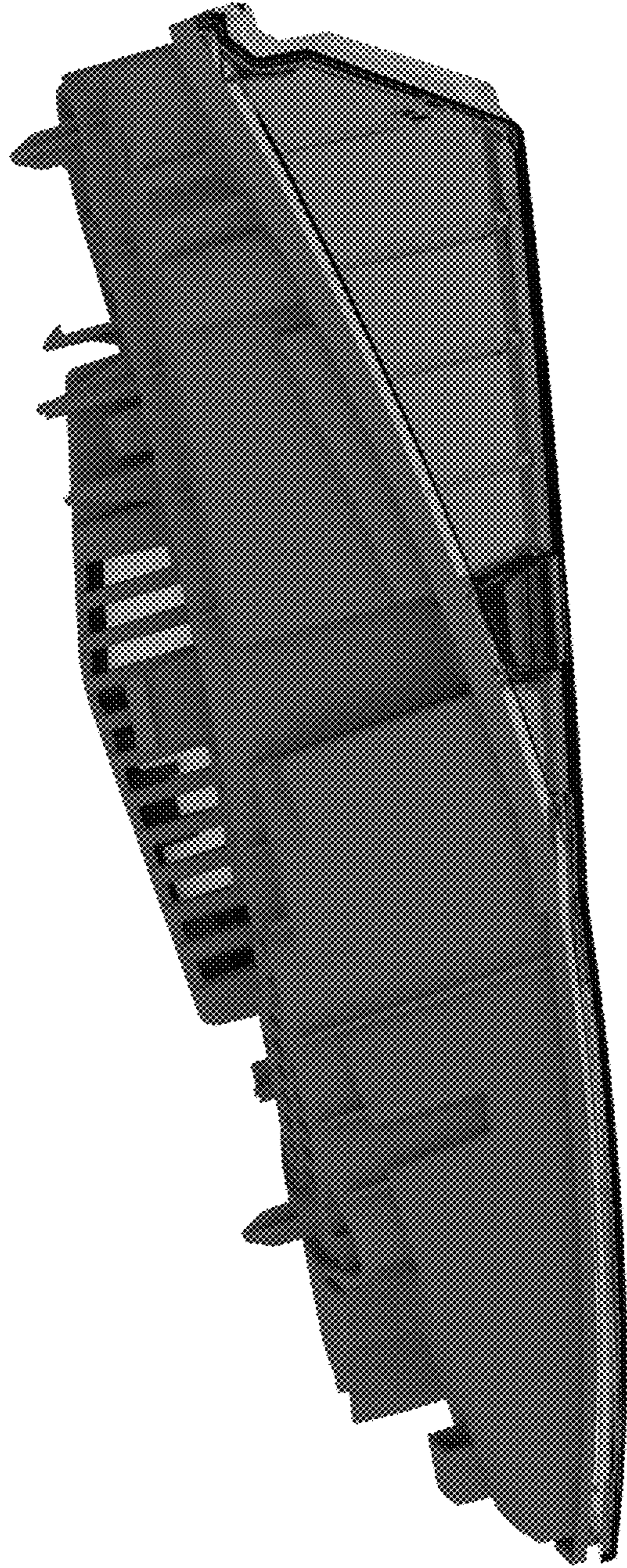


Fig. 6



Fig. 7

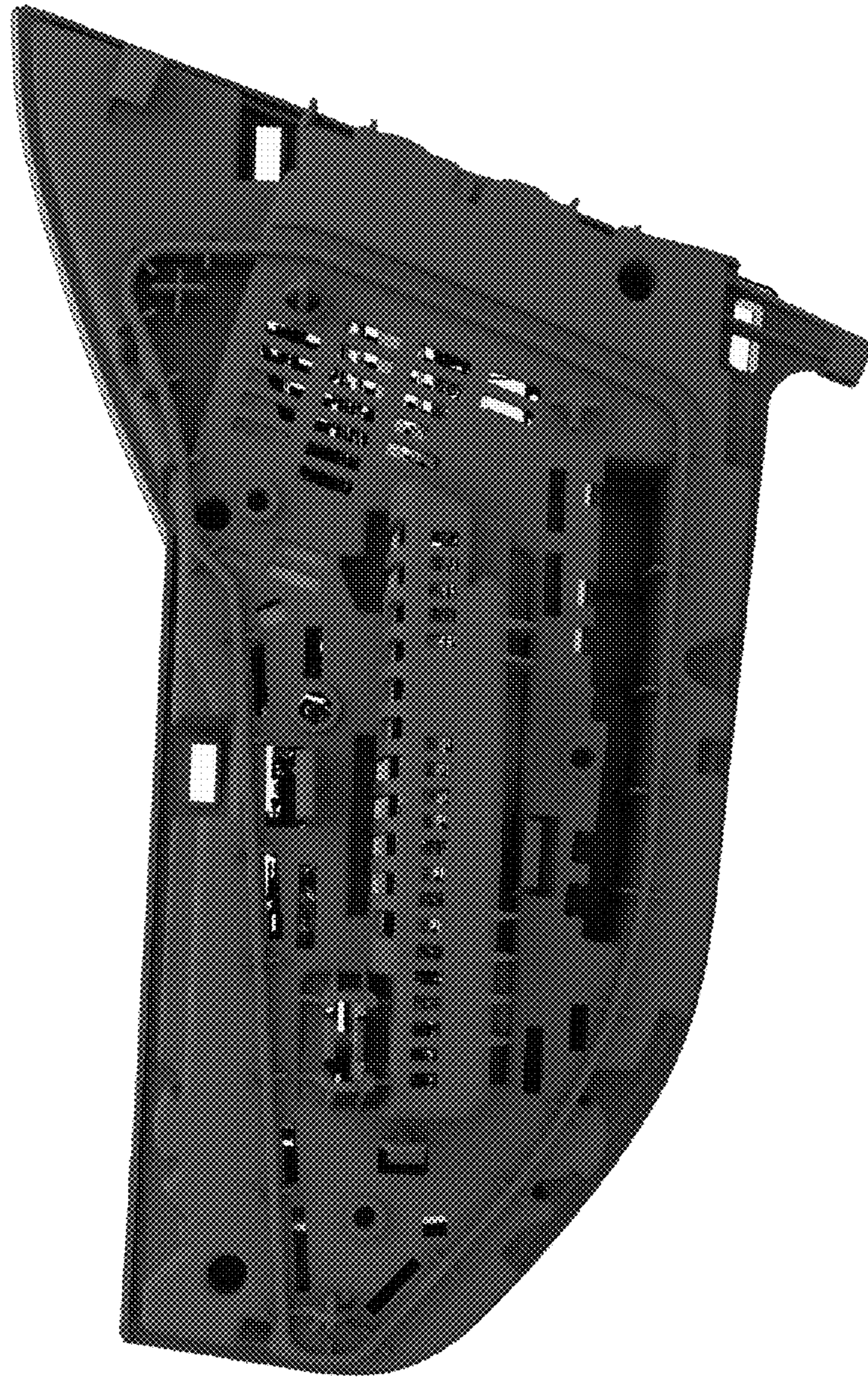


Fig. 8