



US00D768893S

(12) **United States Design Patent**  
**Chen**

(10) **Patent No.:** **US D768,893 S**

(45) **Date of Patent:** **\*\* Oct. 11, 2016**

(54) **BICYCLE LIGHT**

(71) Applicant: **Shenzhen TrustFire Technology Co., Ltd.**, Shenzhen, Guangdong (CN)

(72) Inventor: **Yunchao Chen**, Guangdong (CN)

(73) Assignee: **SHENZHEN TRUSTFIRE TECHNOLOGY CO., LTD.**, Shenzhen, Guangdong (CN)

(\*\*) Term: **14 Years**

(21) Appl. No.: **29/522,633**

(22) Filed: **Apr. 1, 2015**

(51) **LOC (10) Cl.** ..... **26-06**

(52) **U.S. Cl.**  
USPC ..... **D26/28**

(58) **Field of Classification Search**  
USPC ..... D26/28-36; 362/61, 80-83, 267-269, 362/459-468, 475-478, 485-487  
CPC ..... F21S 48/00; F21S 48/10; F21S 48/115; F21S 48/225; F21S 48/20; F21V 5/00; F21V 21/08; F21V 21/088  
See application file for complete search history.

(56) **References Cited**

**U.S. PATENT DOCUMENTS**

D540,481 S \* 4/2007 Okuda ..... D26/28  
D541,447 S \* 4/2007 Ueda ..... D26/28

D560,833 S \* 1/2008 Ueda ..... D26/28  
D560,834 S \* 1/2008 Nagano ..... D26/28  
D605,790 S \* 12/2009 Hsing-Tsun ..... D26/28  
D629,538 S \* 12/2010 Nagano ..... D26/28  
D678,563 S \* 3/2013 Liao ..... D26/28

\* cited by examiner

*Primary Examiner* — Marcus Jackson

(74) *Attorney, Agent, or Firm* — Jackson IPG PLLC;  
Demian K. Jackson

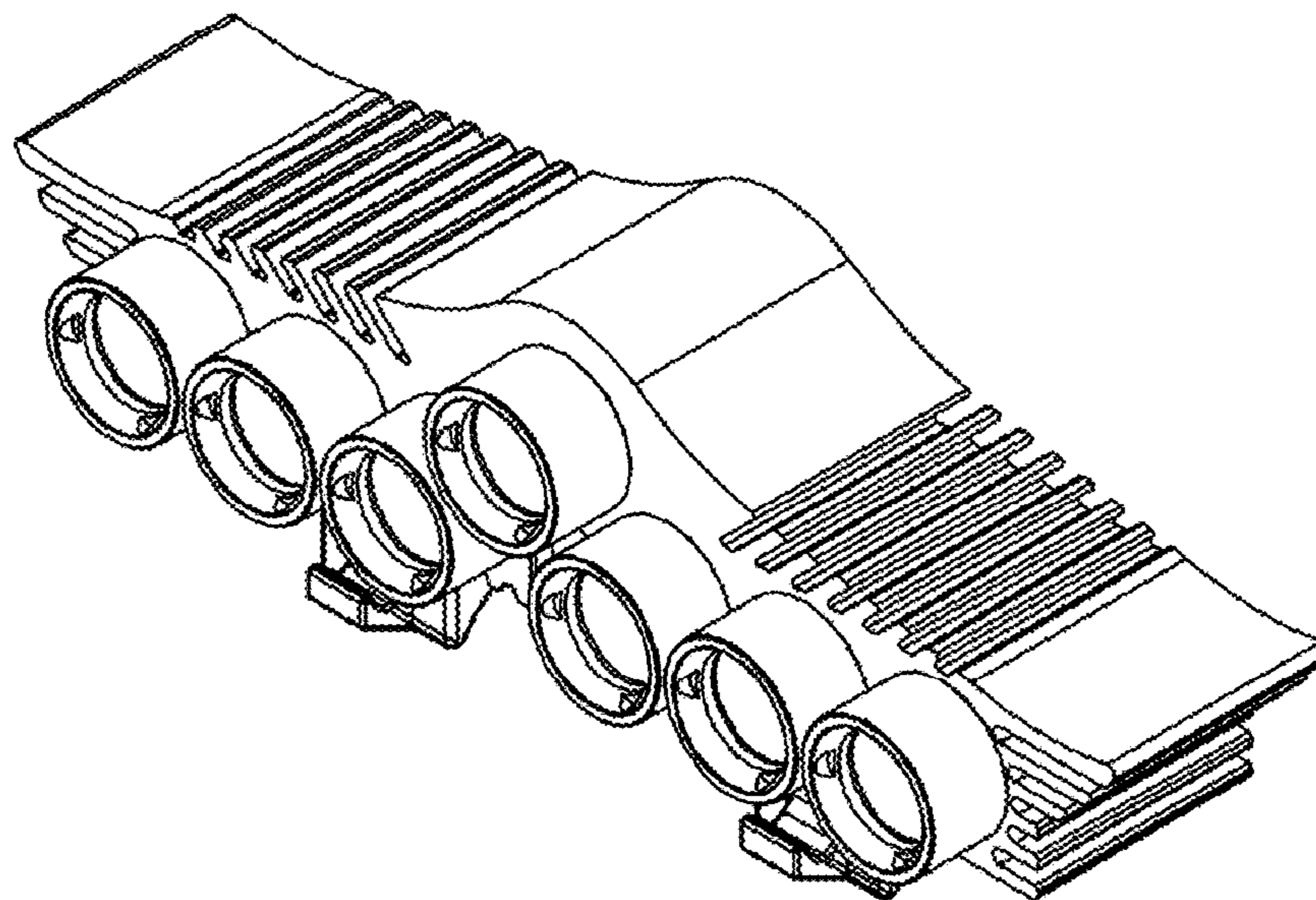
(57) **CLAIM**

The ornamental design for a bicycle light, as shown and described.

**DESCRIPTION**

FIG. 1 is a front side perspective view of a bicycle light showing my new design;  
FIG. 2 is a front elevational view thereof;  
FIG. 3 is a rear elevational view thereof;  
FIG. 4 is a left side elevational view thereof;  
FIG. 5 is a right side elevational view thereof;  
FIG. 6 is a top plan view thereof; and,  
FIG. 7 is a bottom plan view thereof.

**1 Claim, 4 Drawing Sheets**



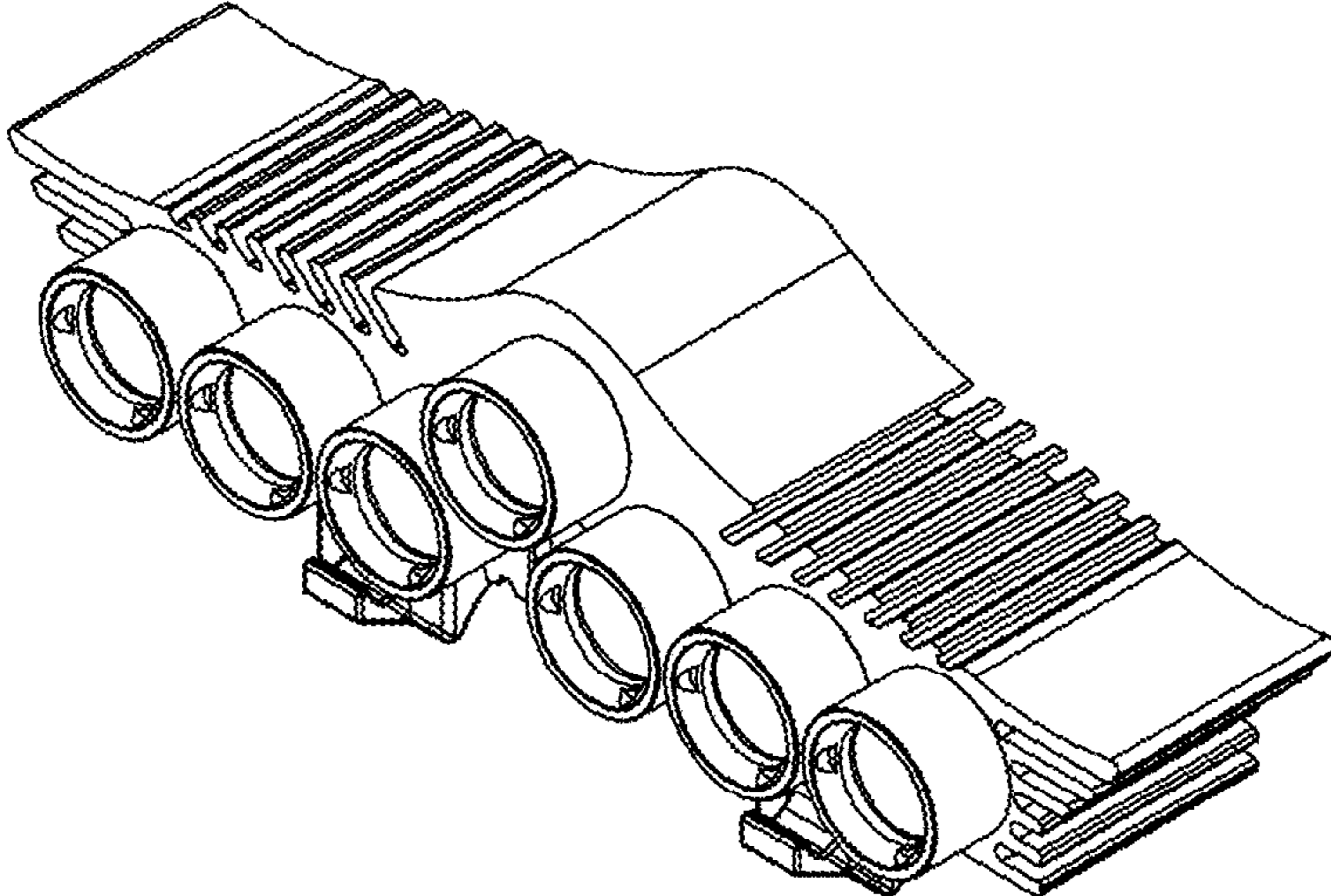


Fig. 1

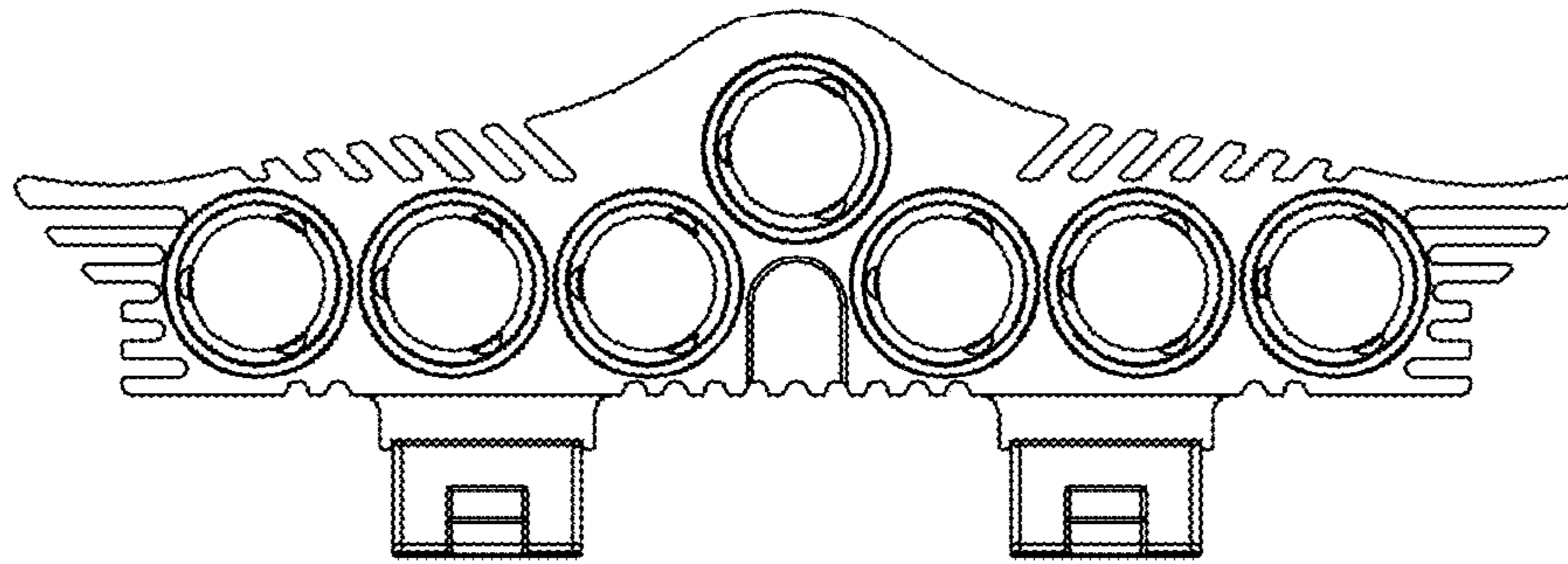


Fig. 2

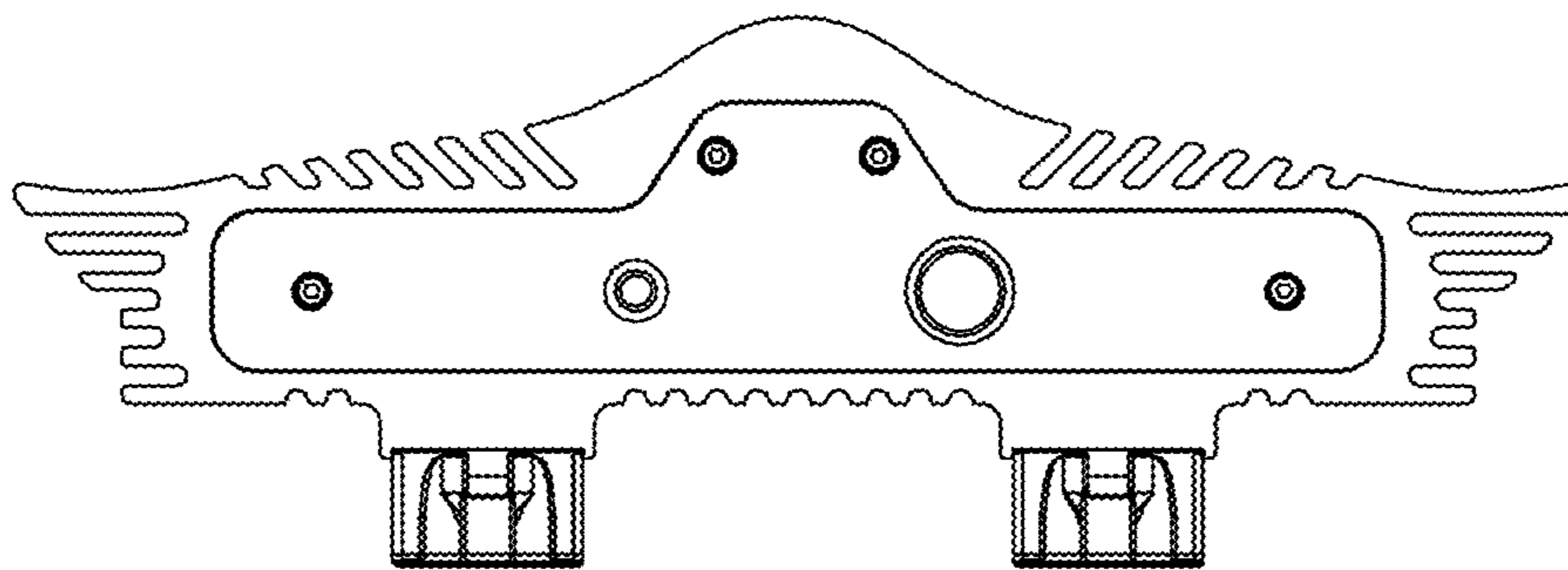


Fig. 3

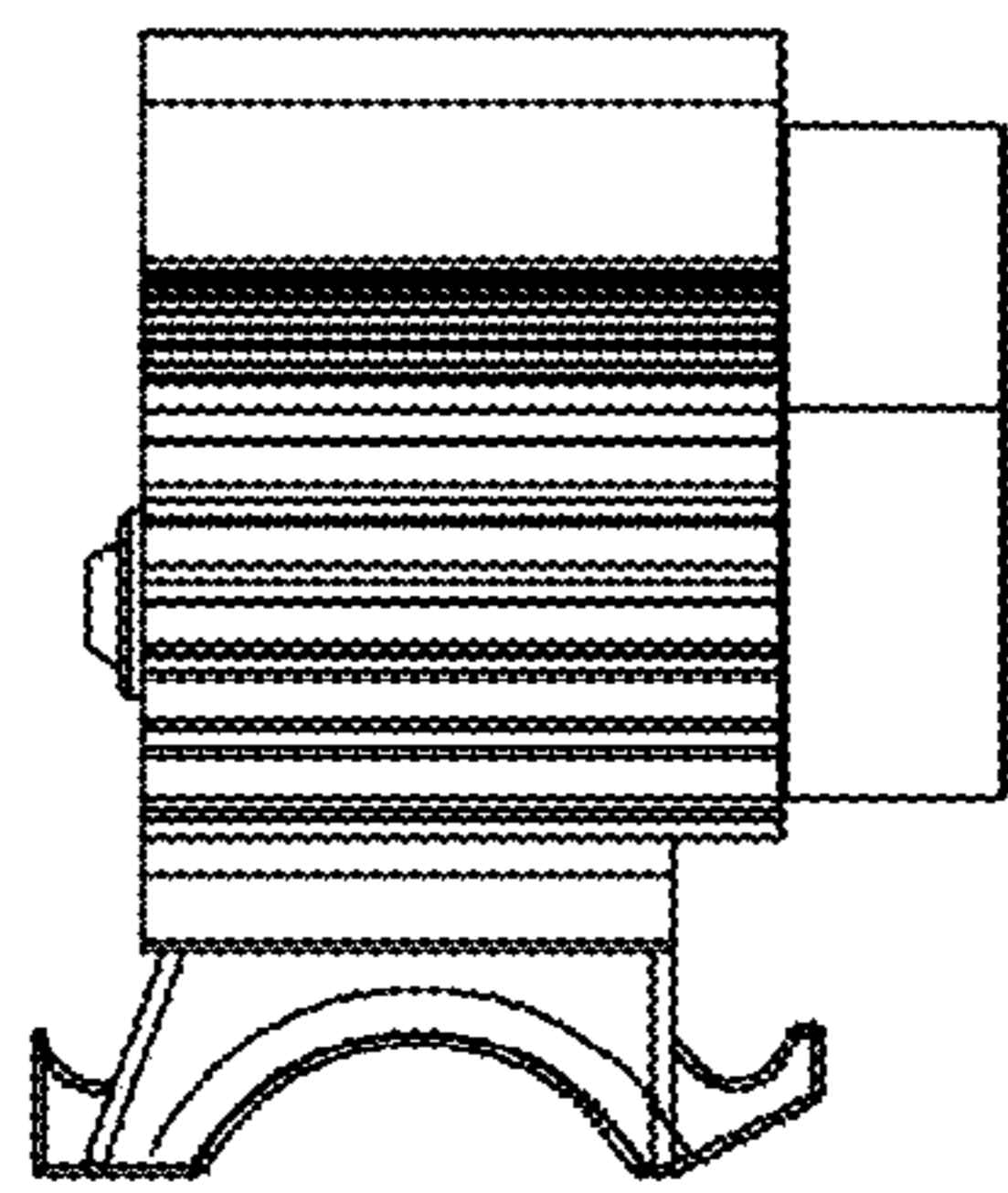


Fig. 4

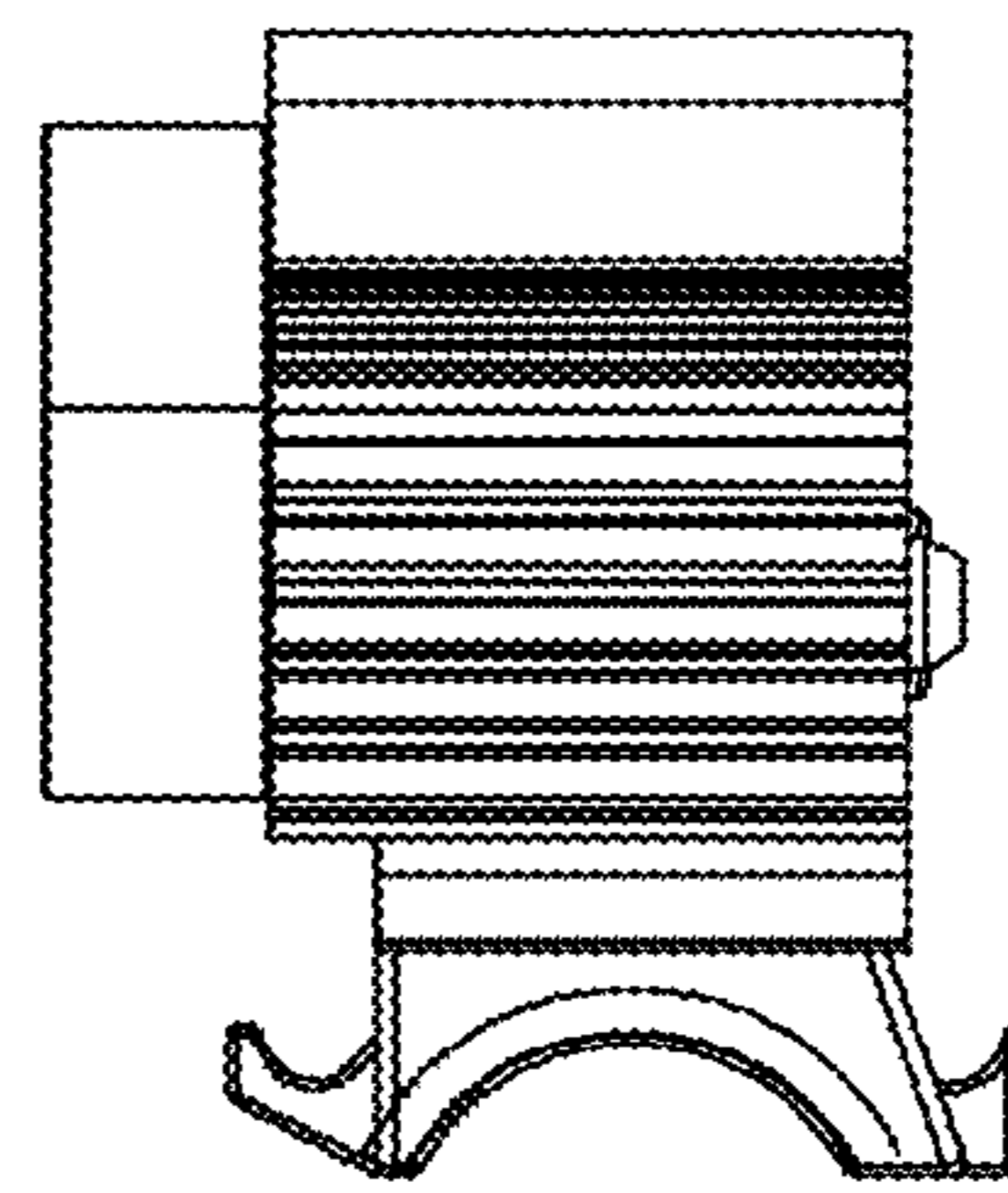


Fig. 5

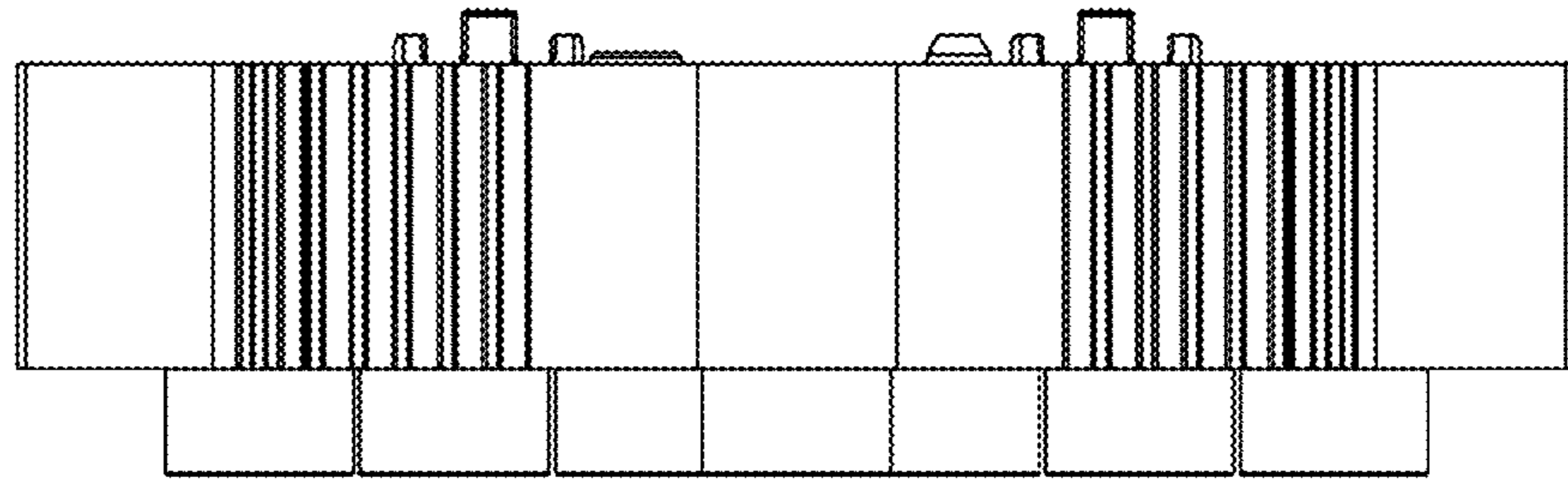


Fig. 6

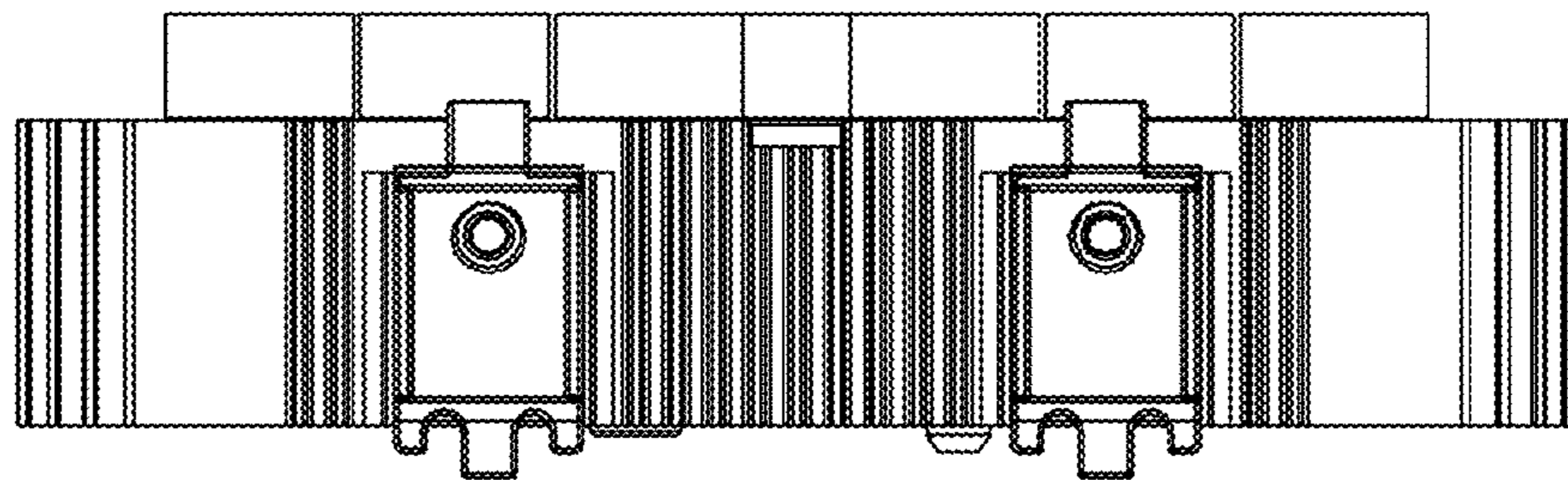


Fig. 7