



US00D768892S

(12) **United States Design Patent** (10) **Patent No.:** **US D768,892 S**
Lockart et al. (45) **Date of Patent:** **** Oct. 11, 2016**

(54) **LUMINAIRE FOR USE IN A FLEXIBLE STRAND**

(71) Applicant: **KONINKLIJKE PHILIPS N.V.**,
Eindhoven (NL)

(72) Inventors: **Chad Lockart**, Burlington, MA (US);
Jeremy McDaniel, Burlington, MA
(US); **Jenna Hormann**, Burlington,
MA (US); **Shirley Yip**, Burlington, MA
(US)

(73) Assignee: **Koninklijke Philips N.V.**, Eindhoven
(NL)

(**) Term: **14 Years**

(21) Appl. No.: **29/508,462**

(22) Filed: **Nov. 6, 2014**

(51) **LOC (10) Cl.** **26-01**

(52) **U.S. Cl.**
USPC **D26/25**

(58) **Field of Classification Search**
 USPC D26/1, 24, 25
 CPC F21W 2121/04; F21S 4/00; F21S 4/001;
 F21S 4/002; F21S 4/003

See application file for complete search history.

(56) **References Cited**

U.S. PATENT DOCUMENTS

D535,262 S *	1/2007	Saito	D26/25
D586,491 S *	2/2009	Levine	D26/25
D598,583 S *	8/2009	Levine	D26/25
D648,465 S *	11/2011	San Juan	D26/25

* cited by examiner

Primary Examiner — Brian N Vinson

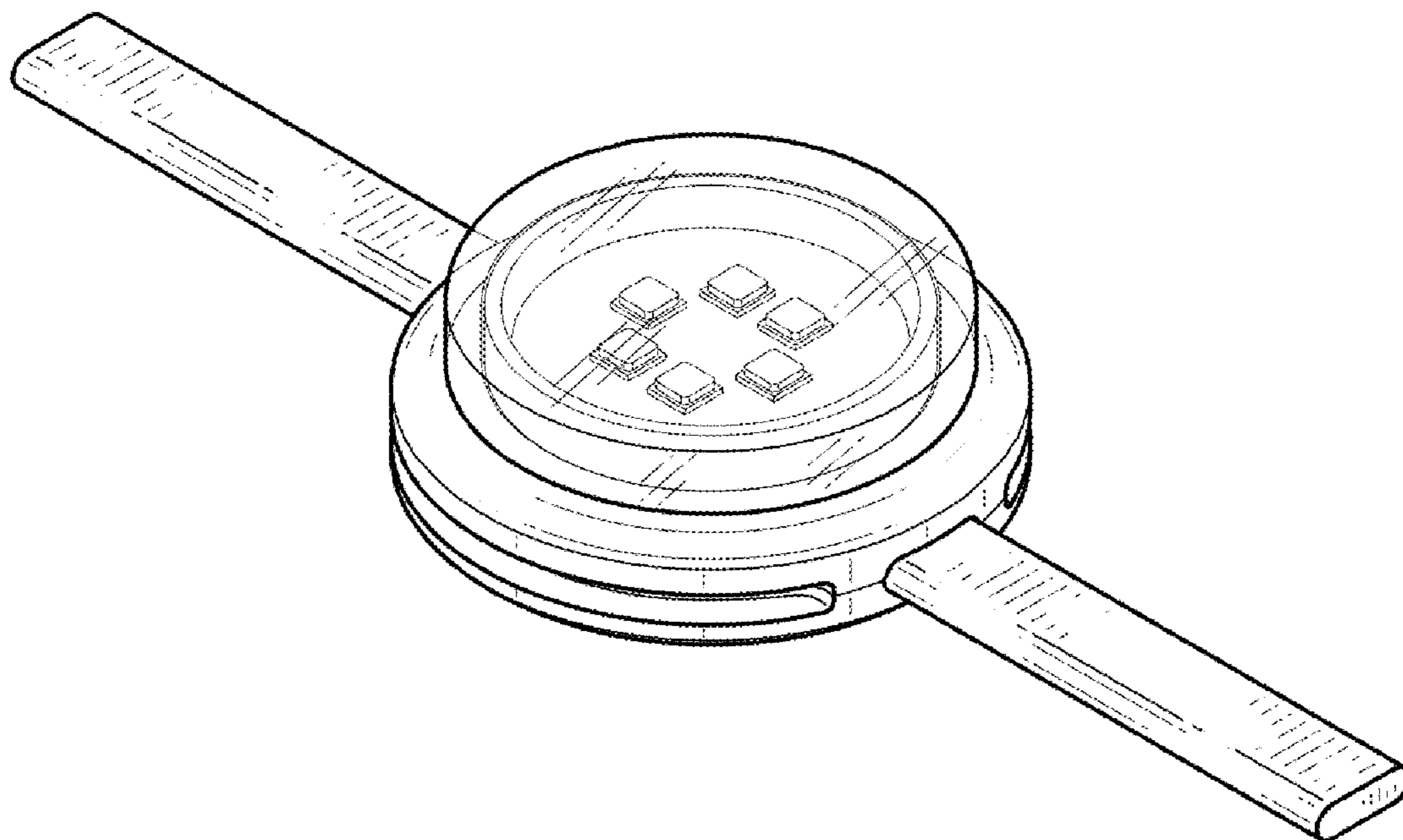
(57) **CLAIM**

The ornamental design for a luminaire for use in a flexible strand, as shown.

DESCRIPTION

FIG. 1 is a top perspective view of a luminaire for use in a flexible strand showing our new design;
 FIG. 2 is a front elevational view thereof;
 FIG. 3 is a rear elevational view thereof;
 FIG. 4 is a right side elevational view thereof;
 FIG. 5 is a left side elevational view thereof;
 FIG. 6 is a top plan view thereof; and,
 FIG. 7 is bottom plan view view thereof.

1 Claim, 3 Drawing Sheets



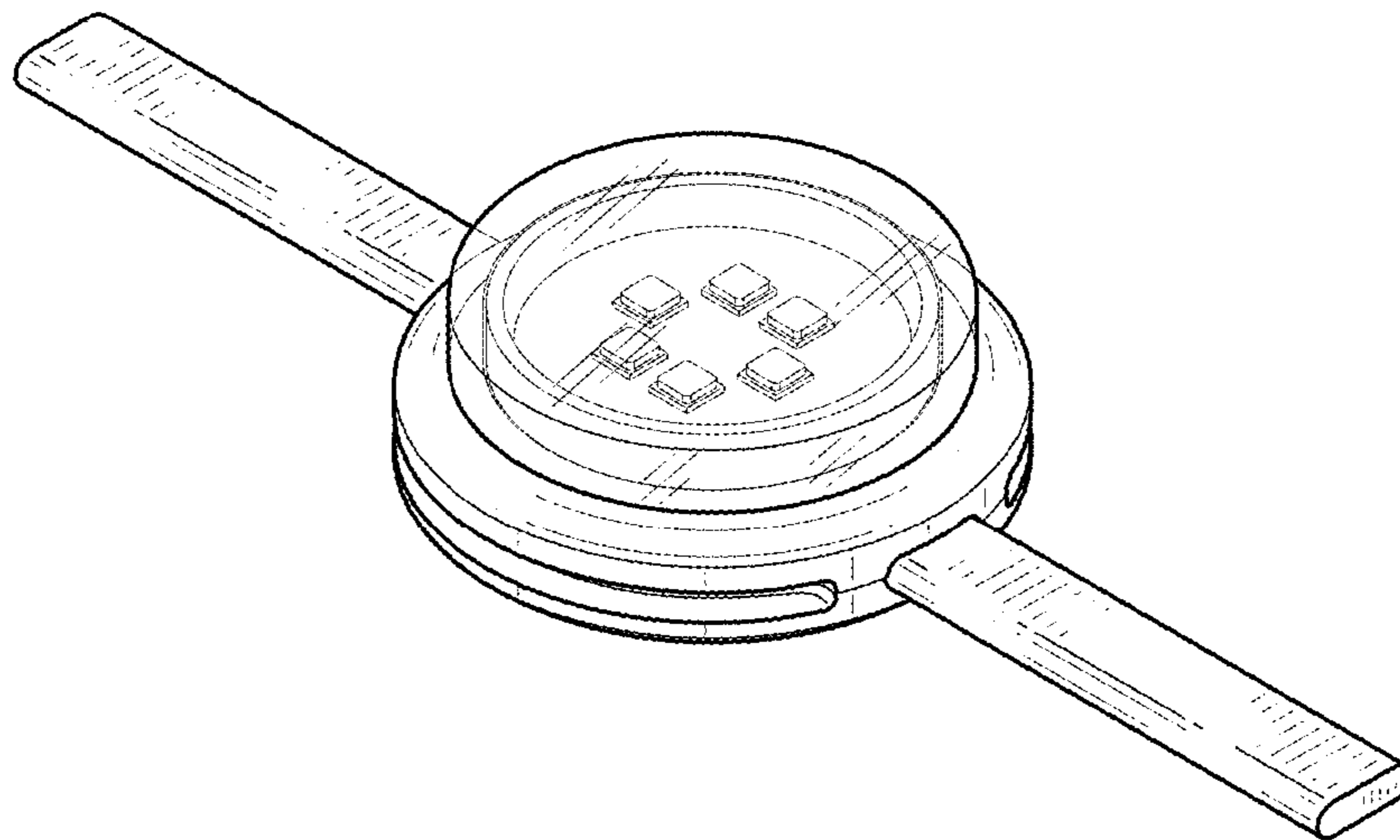


FIG. 1

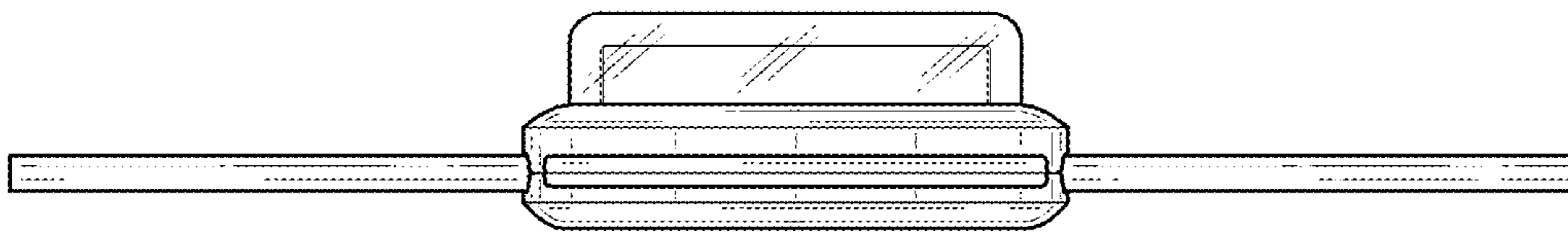


FIG. 2

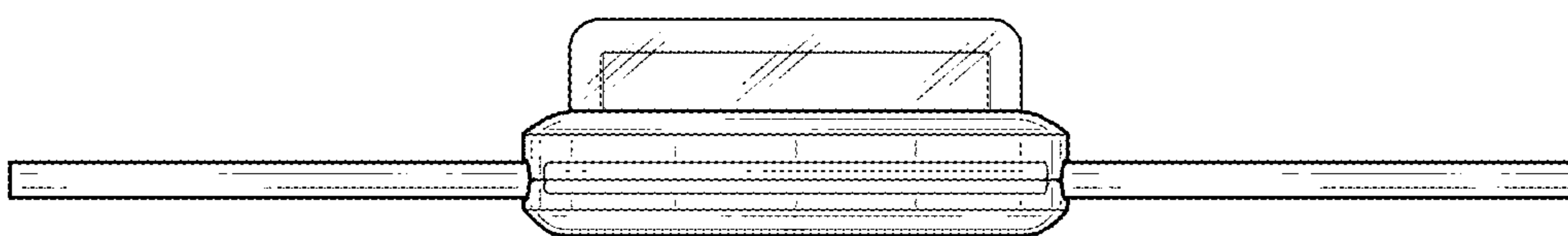


FIG. 3

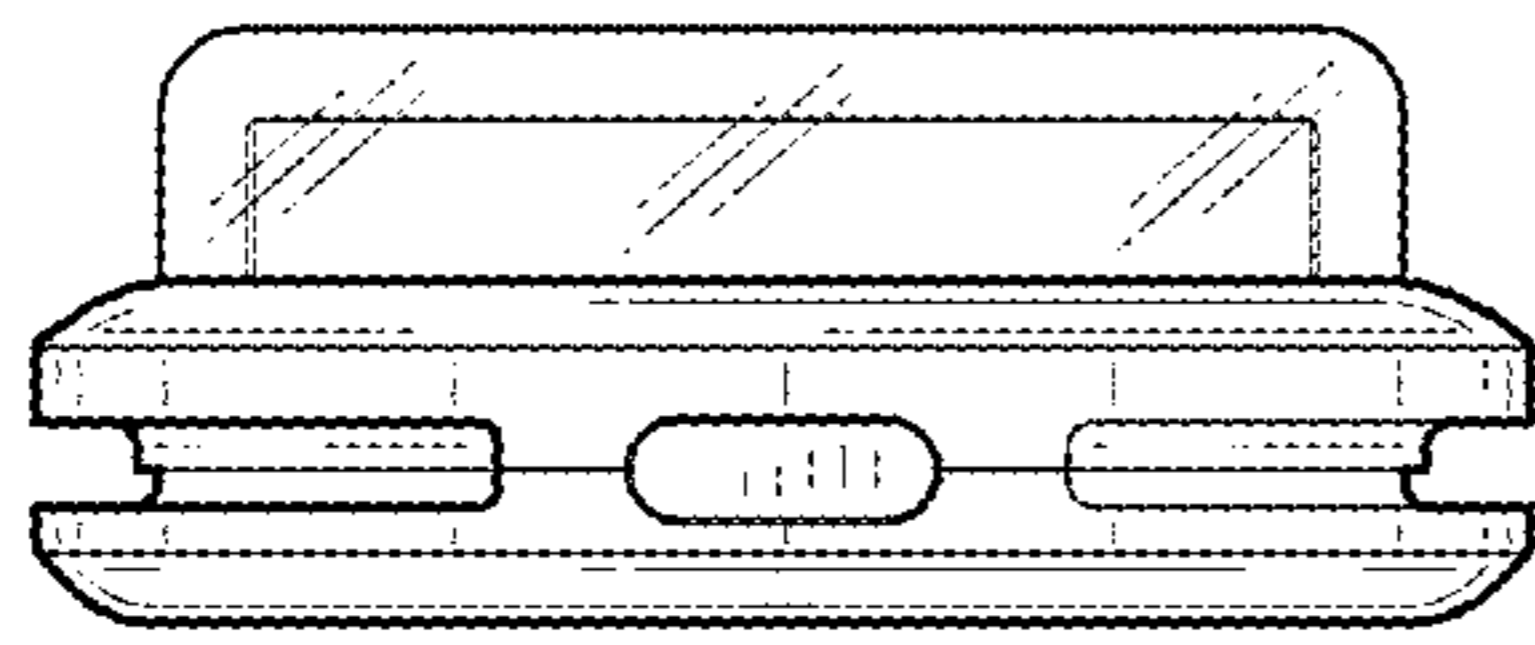


FIG. 4

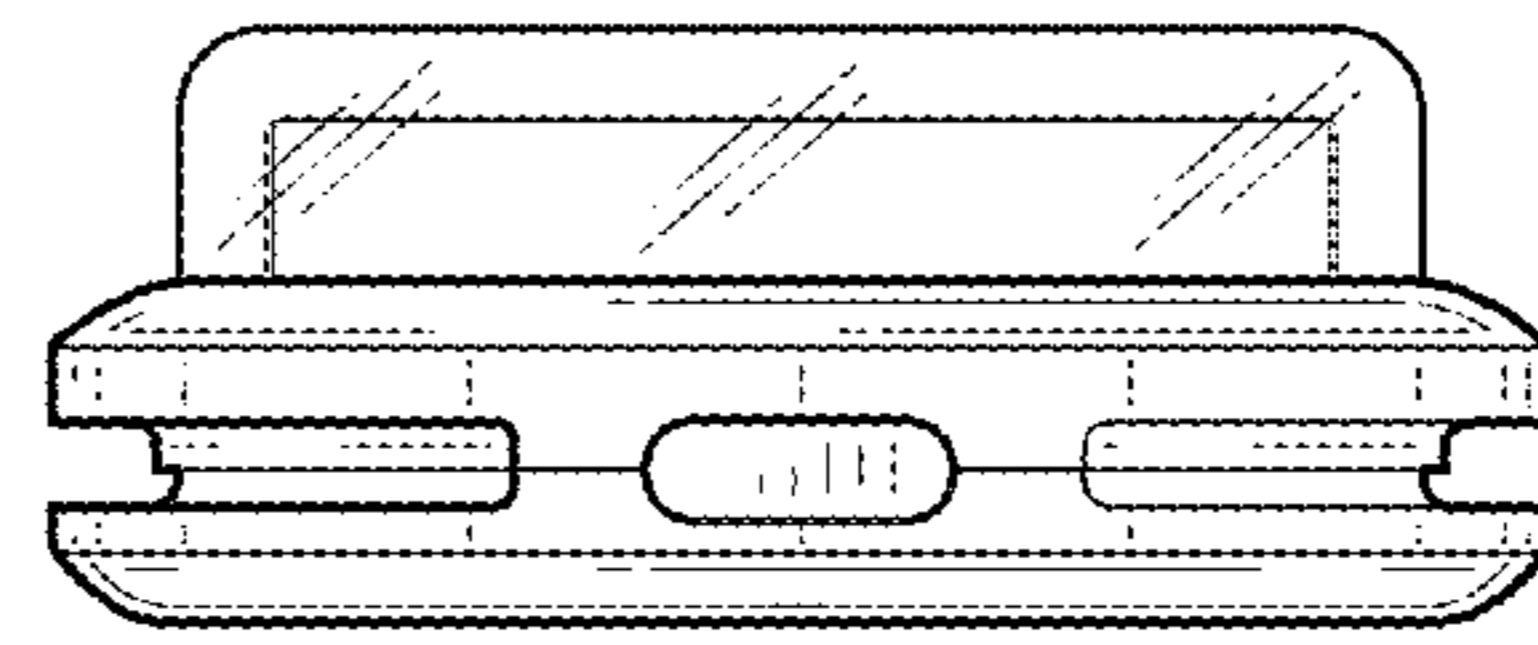


FIG. 5

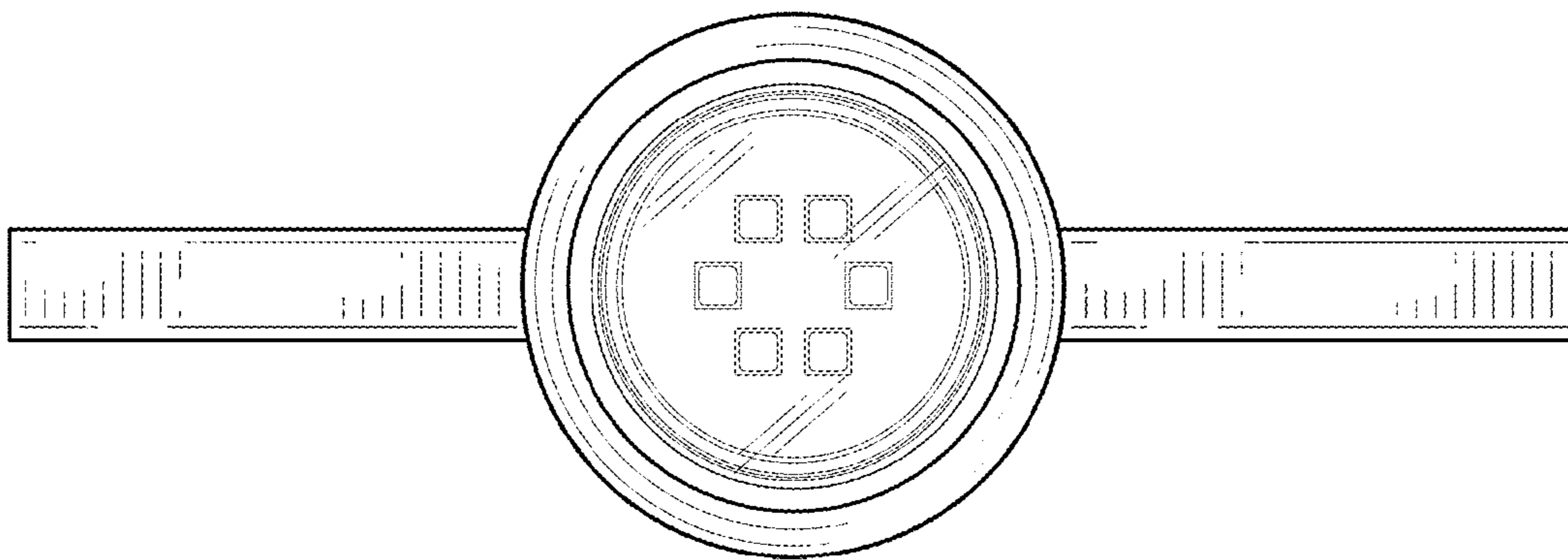


FIG. 6

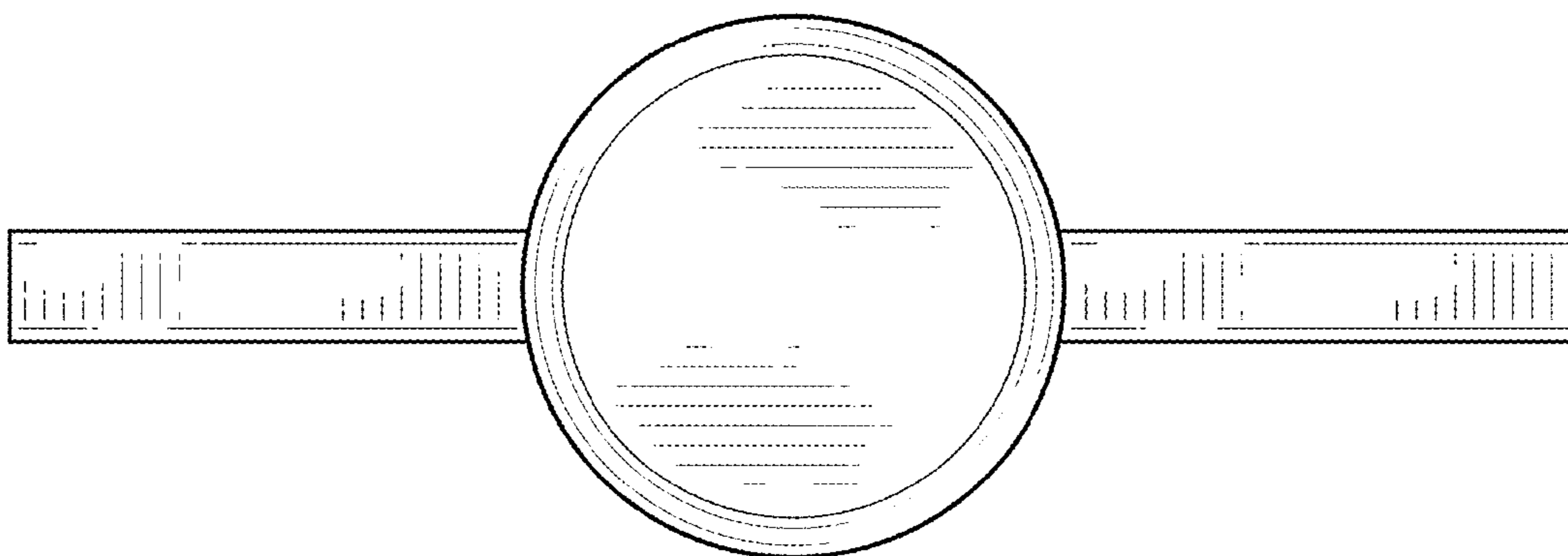


FIG. 7