



US00D768891S

(12) **United States Design Patent**  
**Jiang et al.**

(10) **Patent No.:** **US D768,891 S**  
(45) **Date of Patent:** **\*\* Oct. 11, 2016**

(54) **LED TUBE LIGHT**

D576,749 S \* 9/2008 Kitagawa ..... D26/3  
D594,999 S \* 6/2009 Uchida ..... D26/3  
D621,975 S \* 8/2010 Wang ..... D26/3

(71) Applicant: **JIAXING SUPER LIGHTING**  
**ELECTRIC APPLIANCE CO., LTD,**  
Jiaxing (CN)

**FOREIGN PATENT DOCUMENTS**

(72) Inventors: **Tao Jiang**, Jiaxing (CN); **Chang Yang**,  
Jiaxing (CN)

CN 301466779 S 2/2011  
CN 301796931 S 1/2012  
CN 301979353 S 7/2012  
CN 302281967 S 1/2013  
CN 302711027 S 1/2014  
CN 302897015 S 7/2014  
CN 302945320 S 9/2014  
CN 303259147 S 6/2015  
KR 300558741 S 4/2010  
WO D077107 S 11/2011

(73) Assignee: **JIAXING SUPER LIGHTING**  
**ELECTRIC APPLIANCE CO., LTD,**  
Jiaxing (CN)

(\*\*) Term: **14 Years**

\* cited by examiner

(21) Appl. No.: **29/522,414**

*Primary Examiner* — Marcus Jackson

(22) Filed: **Mar. 31, 2015**

(74) *Attorney, Agent, or Firm* — Ding Yu Tan

(30) **Foreign Application Priority Data**

(57) **CLAIM**

Dec. 12, 2014 (CN) ..... 2014 3 0521957

The ornamental design for a LED tube light, as shown and described above.

(51) **LOC (10) Cl.** ..... **26-04**

**DESCRIPTION**

(52) **U.S. Cl.**  
USPC ..... **D26/3**

(58) **Field of Classification Search**  
USPC ..... D26/1-4; 313/313, 315, 316, 317, 318,  
313/493; 315/52, 53, 56, 57, 58  
CPC ..... H01J 5/48; H01J 5/50; H01J 19/54;  
F21V 5/00  
See application file for complete search history.

FIG. 1 is a perspective view of a LED tube light showing my new design;  
FIG. 2 is a top plan view thereof;  
FIG. 3 is a bottom plan view thereof;  
FIG. 4 is a left side elevational view thereof;  
FIG. 5 is a right side elevational view thereof;  
FIG. 6 is a front elevational view thereof; and,  
FIG. 7 is a rear elevational view thereof.

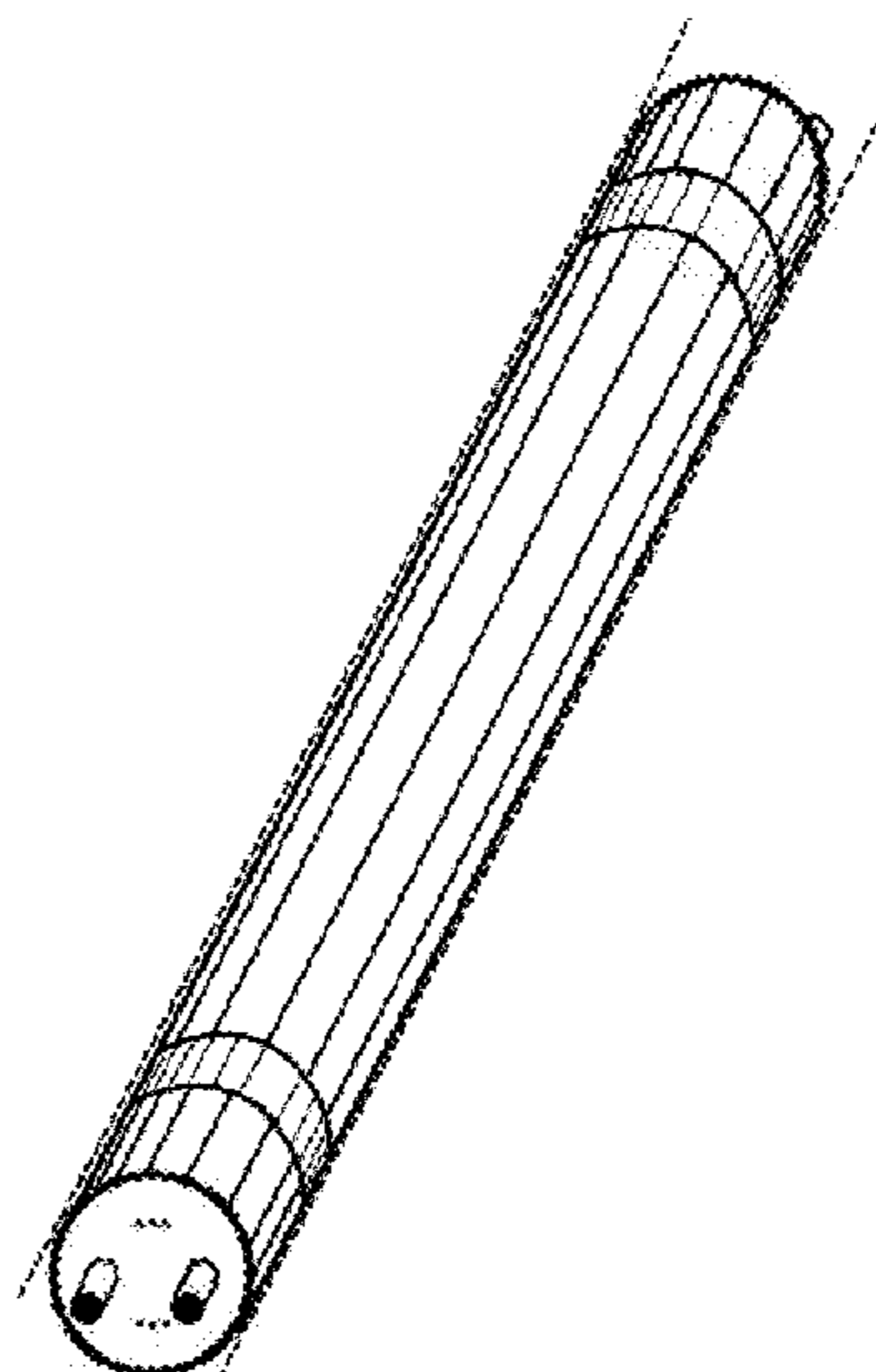
(56) **References Cited**

The shade lines (straight solid lines) in the figures show surface contour and material composition, but not surface ornamentation. The broken lines are environmental and form no part of the claimed design.

**U.S. PATENT DOCUMENTS**

D477,093 S \* 7/2003 Moriyama ..... D26/3  
D506,274 S \* 6/2005 Moriyama ..... D26/24

**1 Claim, 6 Drawing Sheets**



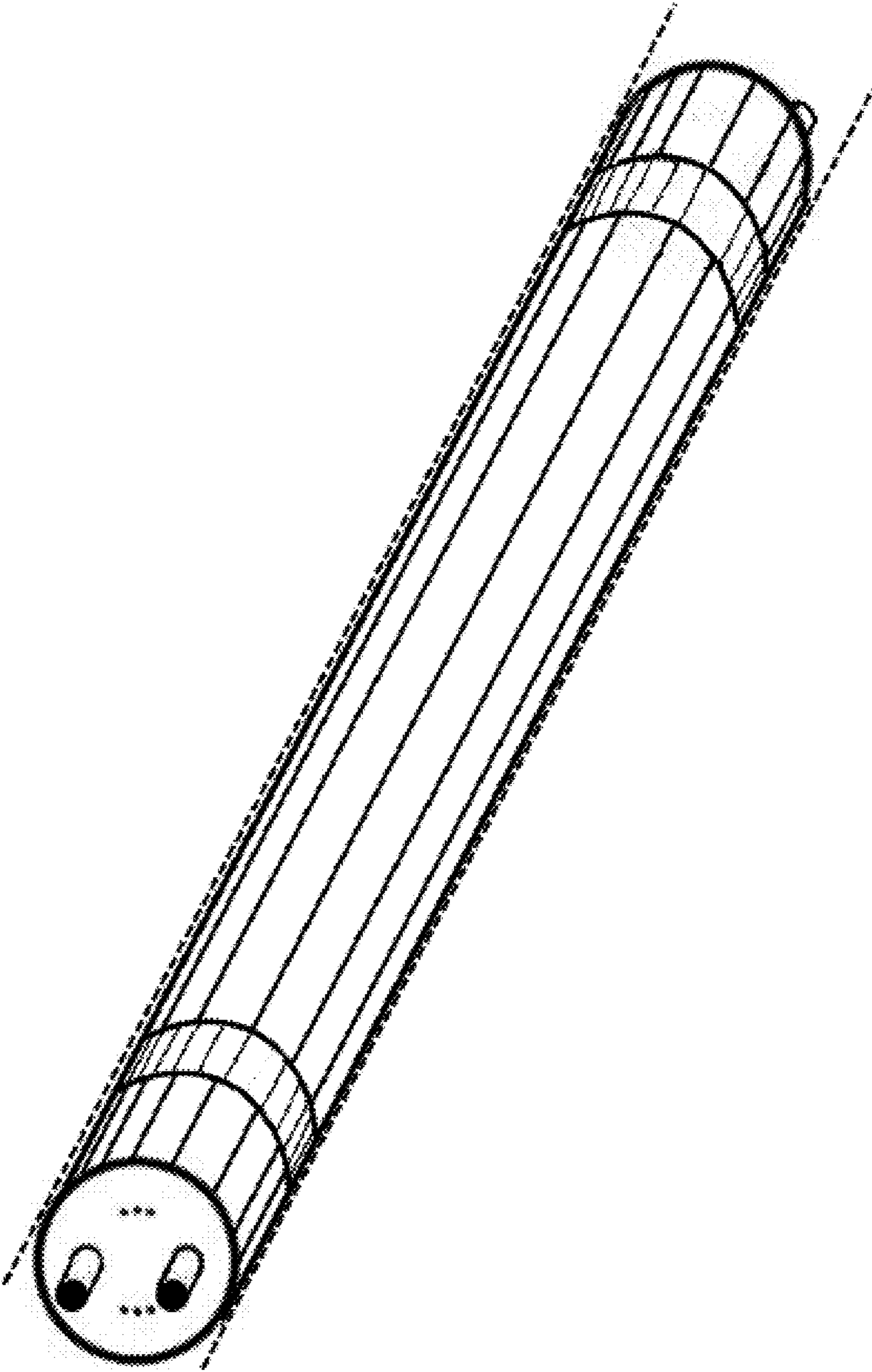


Fig. 1

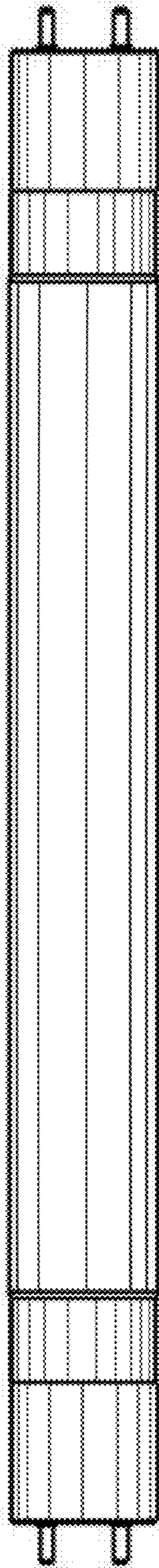


Fig. 2

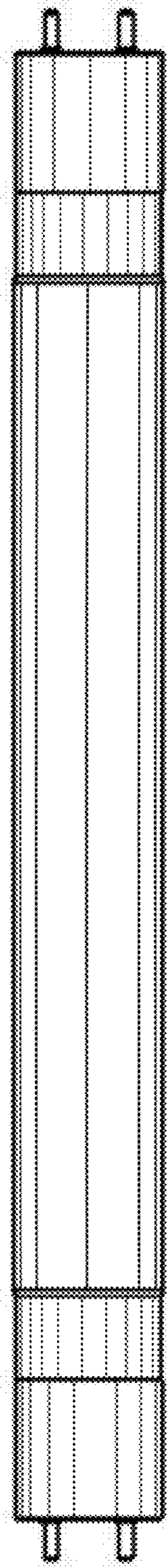


Fig. 3

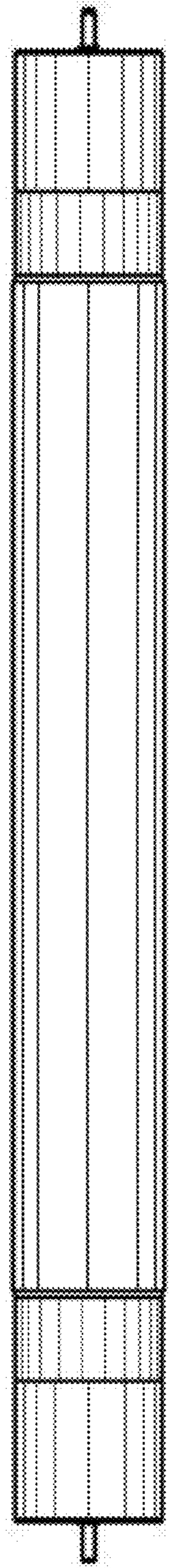


Fig. 4

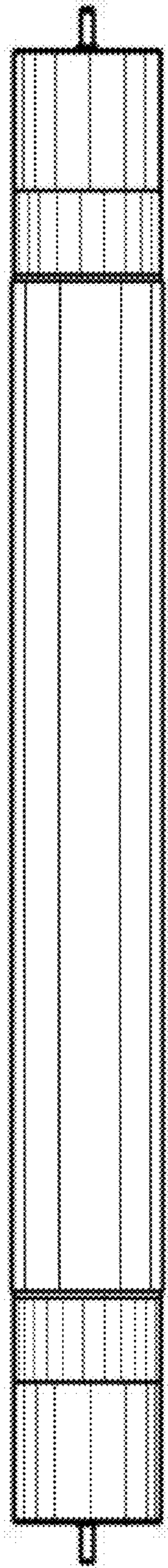


Fig. 5

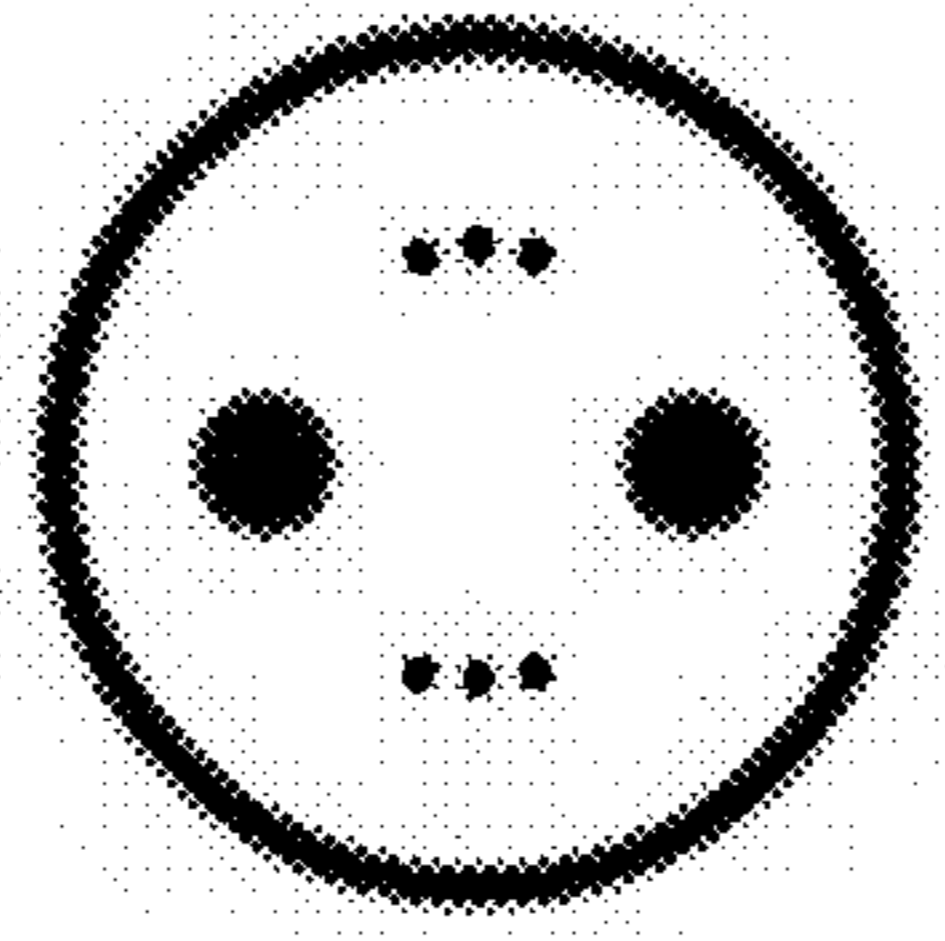


Fig. 6

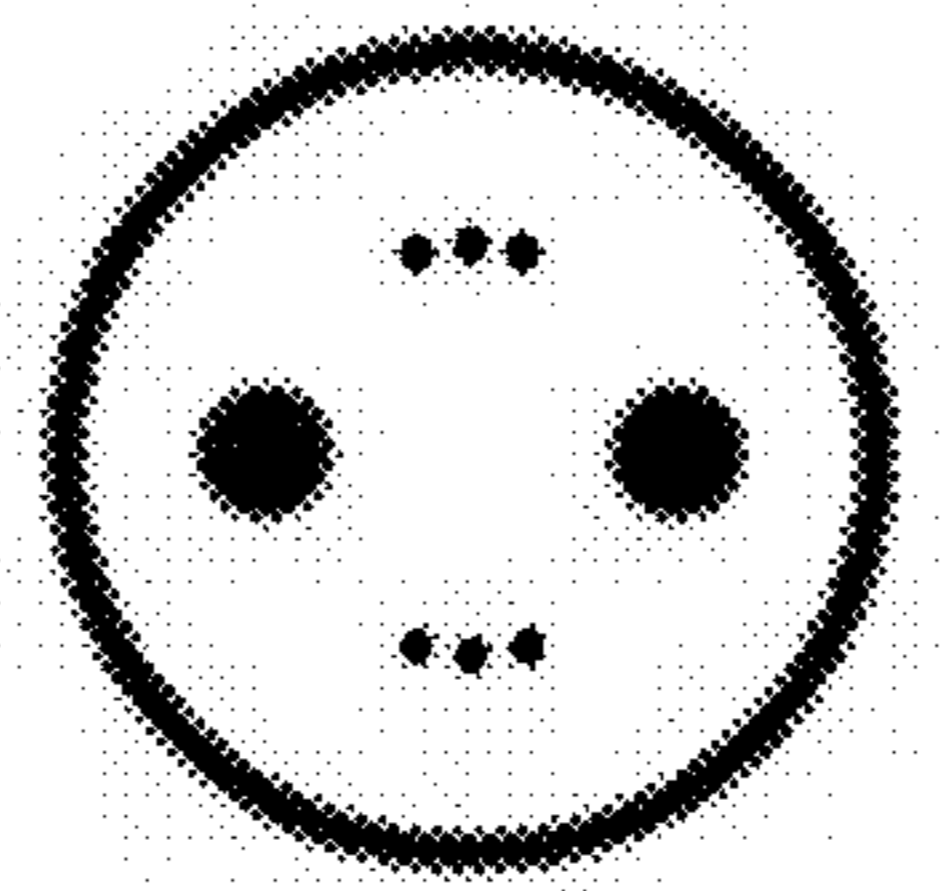


Fig. 7